



US00D582413S

(12) **United States Design Patent**
Parker et al.

(10) **Patent No.:** **US D582,413 S**
(45) **Date of Patent:** **** Dec. 9, 2008**

(54) **RADIO FREQUENCY IDENTIFICATION
DEVICE CASE**

D533,178 S * 12/2006 Farnum et al. D14/385
D538,806 S * 3/2007 Brod et al. D14/385

(75) Inventors: **Brian G. Parker**, Alto, MI (US); **Paul J. Rugg**, Grandville, MI (US)

(73) Assignee: **Cascade Engineering, Inc.**, Grand Rapids, MI (US)

(**) Term: **14 Years**

(21) Appl. No.: **29/298,897**

(22) Filed: **Dec. 14, 2007**

(51) **LOC (8) Cl.** **14-02**

(52) **U.S. Cl.** **D14/383**

(58) **Field of Classification Search** D14/383-387,
D14/426, 422; 345/169, 173; 356/71, 237.1;
382/116, 124-126, 181, 207; 235/382, 382.5;
355/64, 65, 75, 81; 118/31.5; 283/68-70,
283/74, 75, 78; 700/218

See application file for complete search history.

(56) **References Cited**

U.S. PATENT DOCUMENTS

D421,263 S * 2/2000 Phillips D14/222
6,253,118 B1 * 6/2001 Koyama 700/218
D476,644 S * 7/2003 Manneschi D14/222
D490,811 S * 6/2004 Taniguchi D14/385

OTHER PUBLICATIONS

U.S. Appl. No. 11/733,217, filed Apr. 10, 2007, entitled RFID Hard Case Device and Method of Manufacture, by John E. Misner. "Survivor for industrial and logistics applications" brochure published by Confidex Ltd. (2007).

* cited by examiner

Primary Examiner—Freda S Nunn

(74) *Attorney, Agent, or Firm*—Warner Norcross & Judd LLP

(57) **CLAIM**

The ornamental design for radio frequency identification device case, as shown and described.

DESCRIPTION

FIG. 1 is a perspective view of the current embodiment of the radio frequency identification device case;

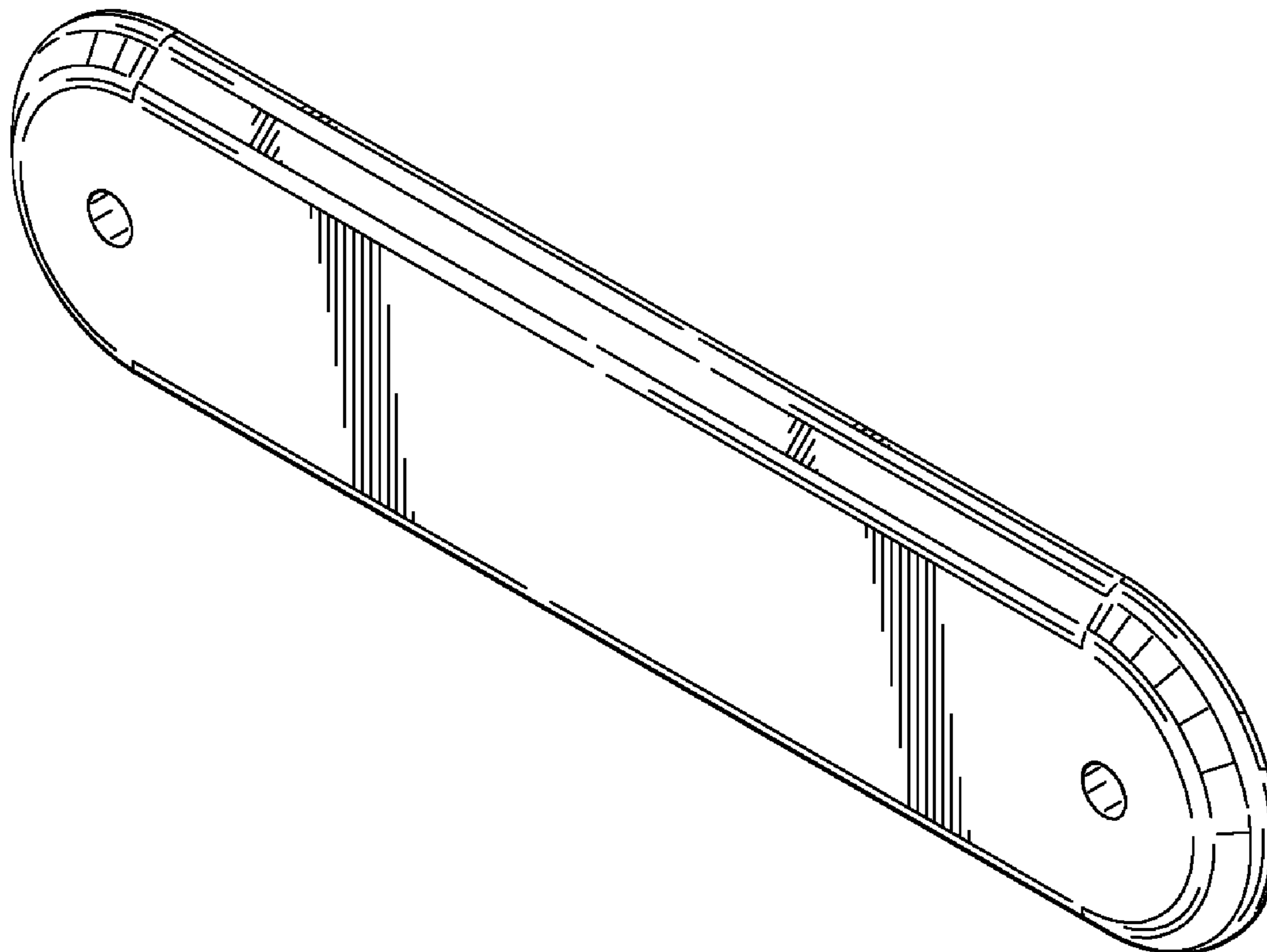
FIG. 2 is front view thereof;

FIG. 3 is a rear view thereof;

FIG. 4 is a side view thereof (both side views being mirror images of each other); and,

FIG. 5 is an end view thereof (both end views being mirror images of each other).

1 Claim, 1 Drawing Sheet



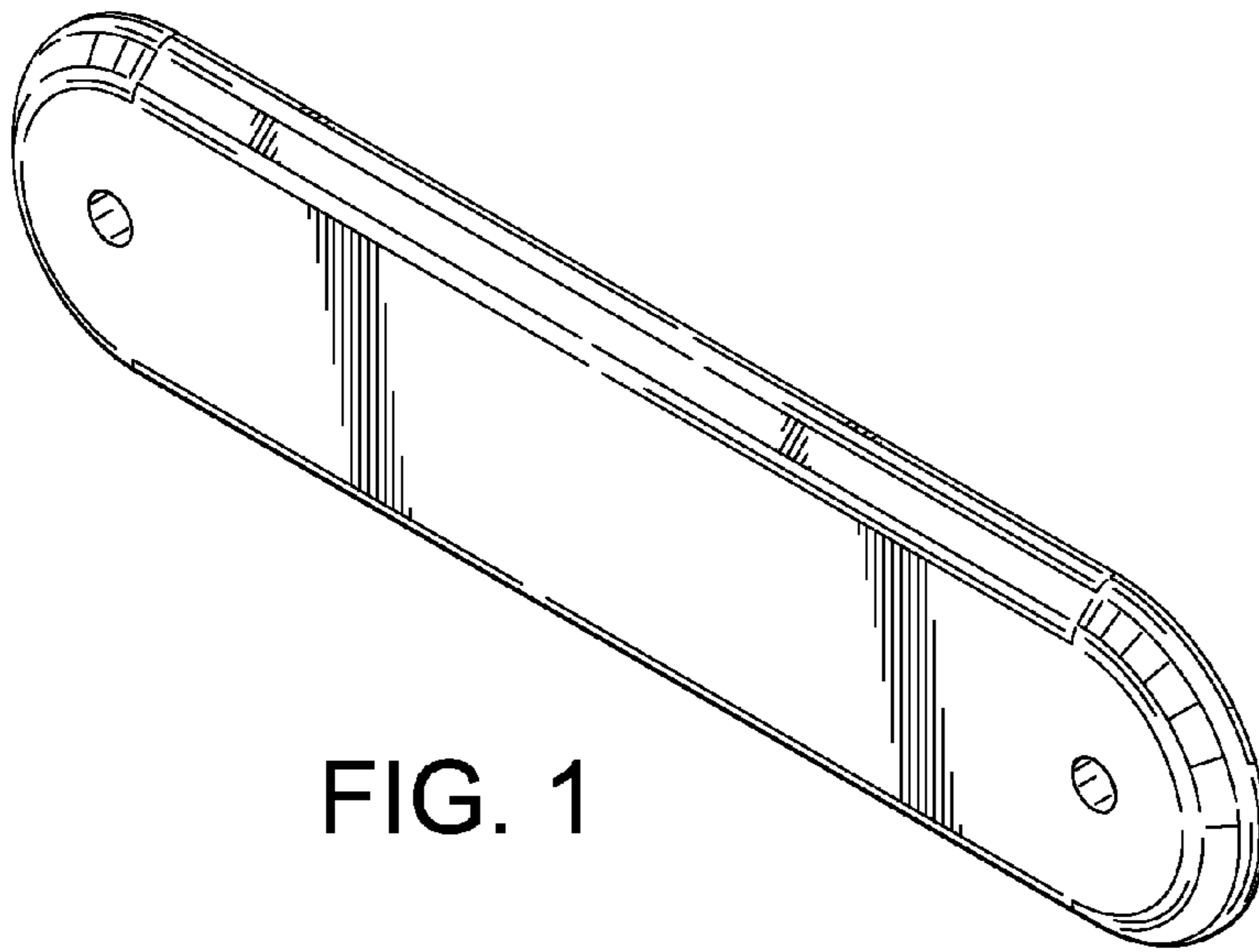


FIG. 1

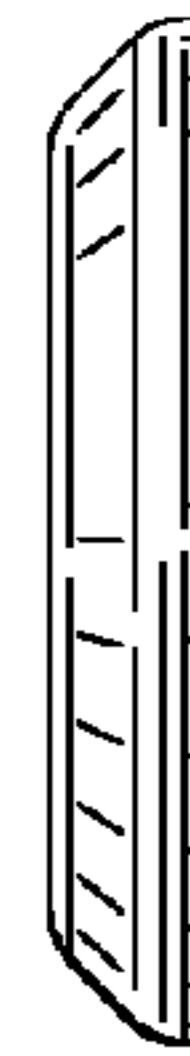


FIG. 5

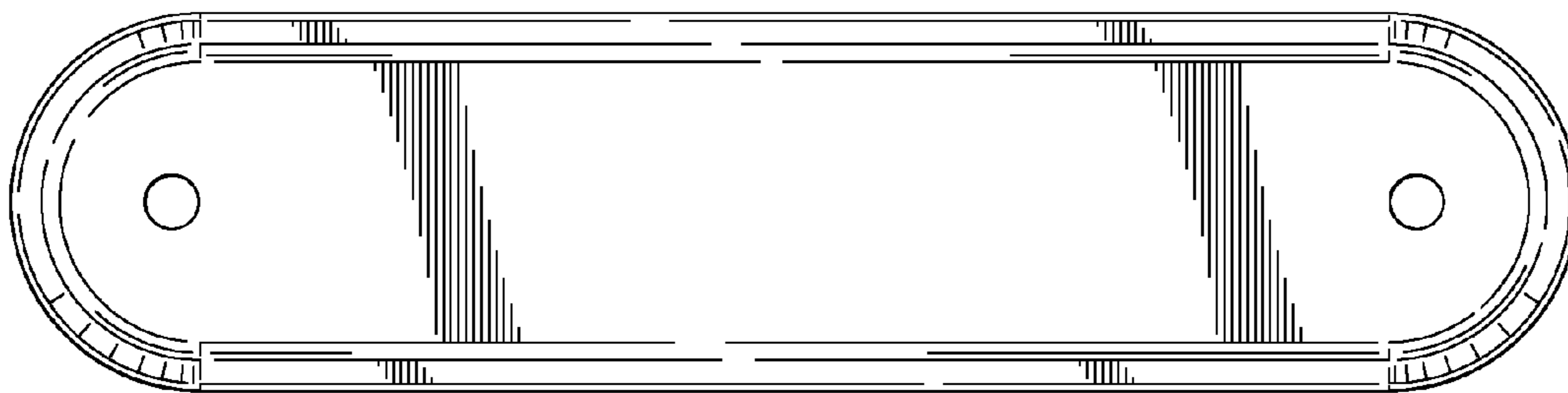


FIG. 2

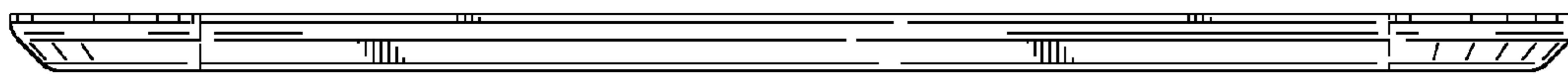


FIG. 4

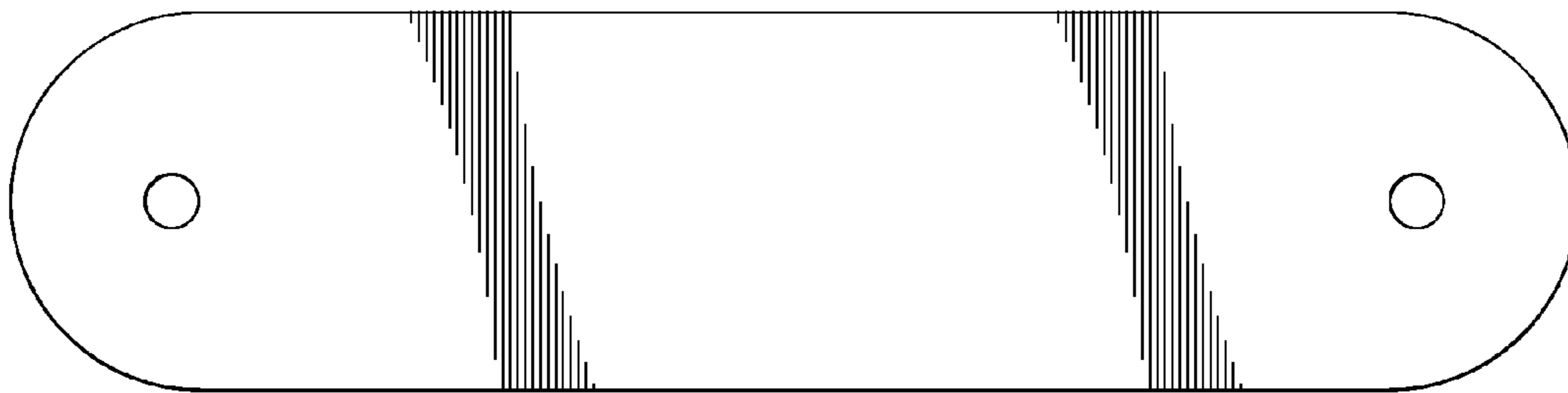


FIG. 3