



US00D582412S

(12) **United States Design Patent**
Liu et al.

(10) **Patent No.:** **US D582,412 S**
(45) **Date of Patent:** **** Dec. 9, 2008**

(54) **INFORMATION STORAGE DISK FEEDING APPARATUS**

D315,723 S * 3/1991 Ito et al. D14/357
D357,466 S * 4/1995 Abbott D14/370
D491,941 S * 6/2004 Chen D14/370

(75) Inventors: **Ming-Hsun Liu**, Taipei (TW);
Chung-Hsuan Tsai, Taipei (TW)

* cited by examiner

(73) Assignee: **Datatronics Technology, Inc.**, Taipei (TW)

Primary Examiner—Brian N Vinson
(74) *Attorney, Agent, or Firm*—Muncy, Geissler, Olds & Lowe, PLLC

(**) Term: **14 Years**

(21) Appl. No.: **29/274,439**

(57) **CLAIM**

(22) Filed: **Apr. 24, 2007**

The ornamental design for an information storage disk feeding apparatus, as shown.

(51) **LOC (8) Cl.** **14-02**

(52) **U.S. Cl.** **D14/370**

(58) **Field of Classification Search** D13/149,
D13/184; D14/301, 313, 348, 349, 351,
D14/363, 368, 370; 711/100, 115; 361/685,
361/725, 752; 369/272.1, 273; 360/133,
360/97.03, 97.01

See application file for complete search history.

DESCRIPTION

FIG. 1 is a perspective view of an information storage disk feeding apparatus showing our new design;

FIG. 2 is a front view thereof;

FIG. 3 is a rear view thereof;

FIG. 4 is a left side view thereof;

FIG. 5 is a right side view thereof; and,

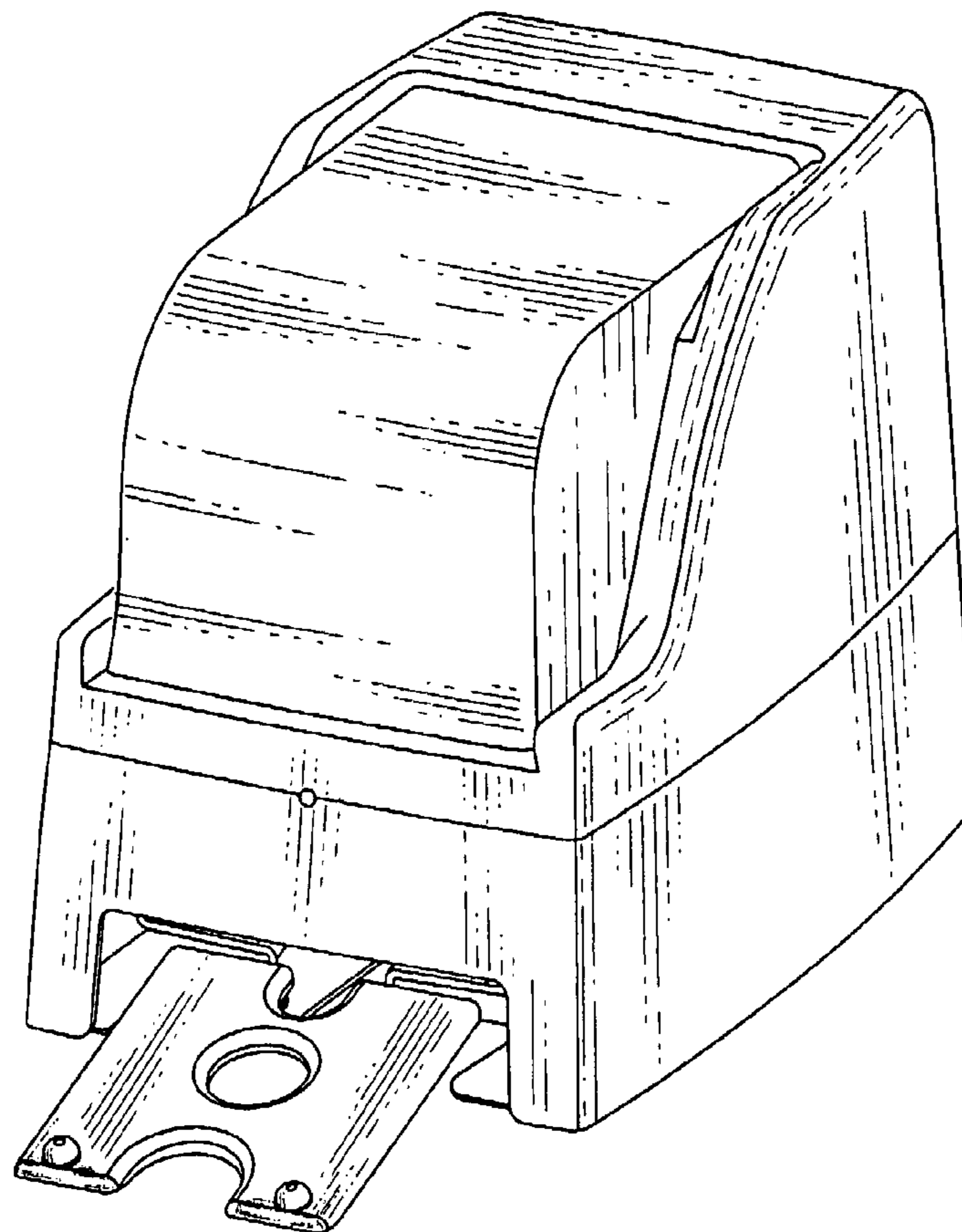
FIG. 6 is a top view thereof.

(56) **References Cited**

U.S. PATENT DOCUMENTS

D309,602 S * 7/1990 Makidera D14/370

1 Claim, 4 Drawing Sheets



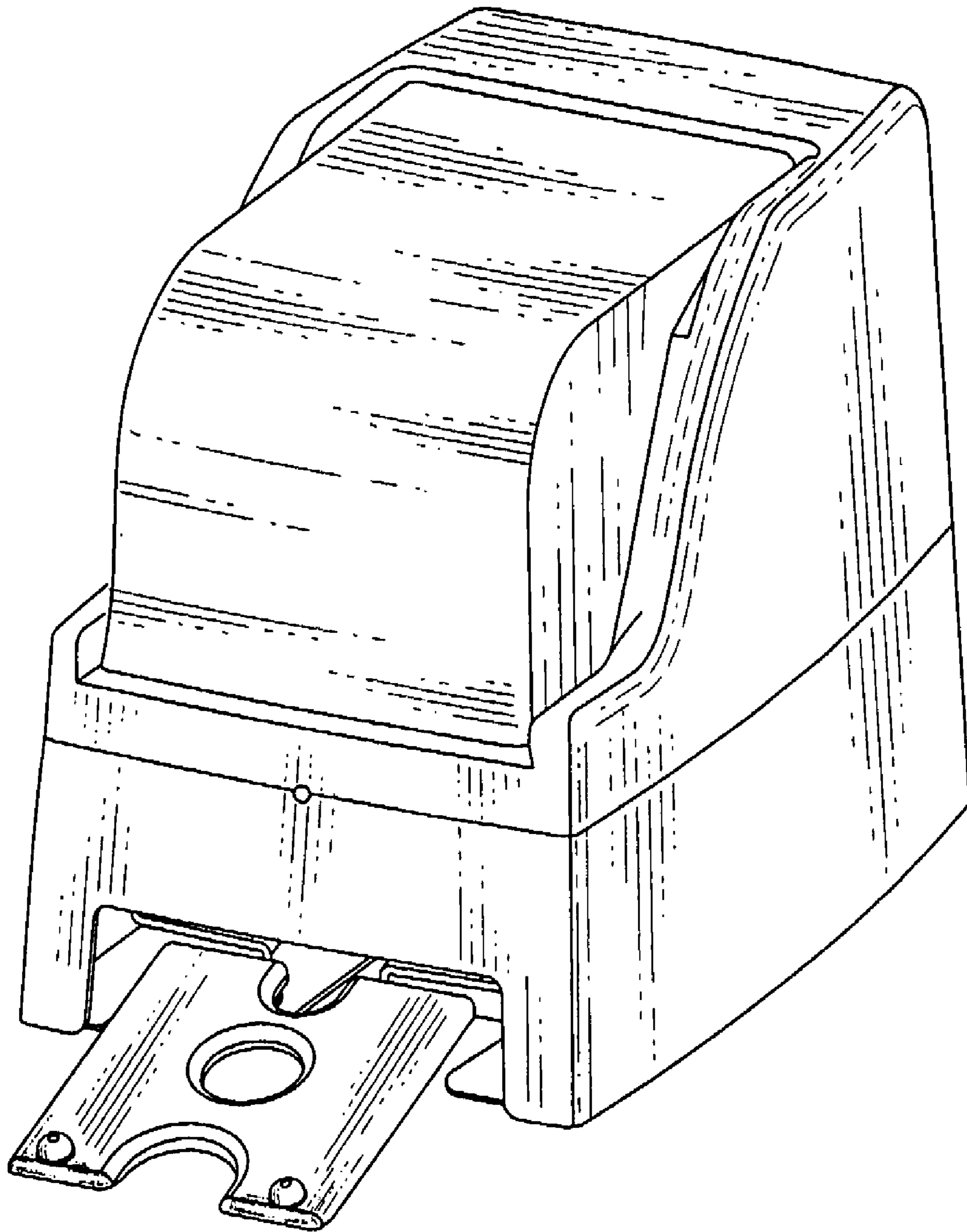


Fig. 1

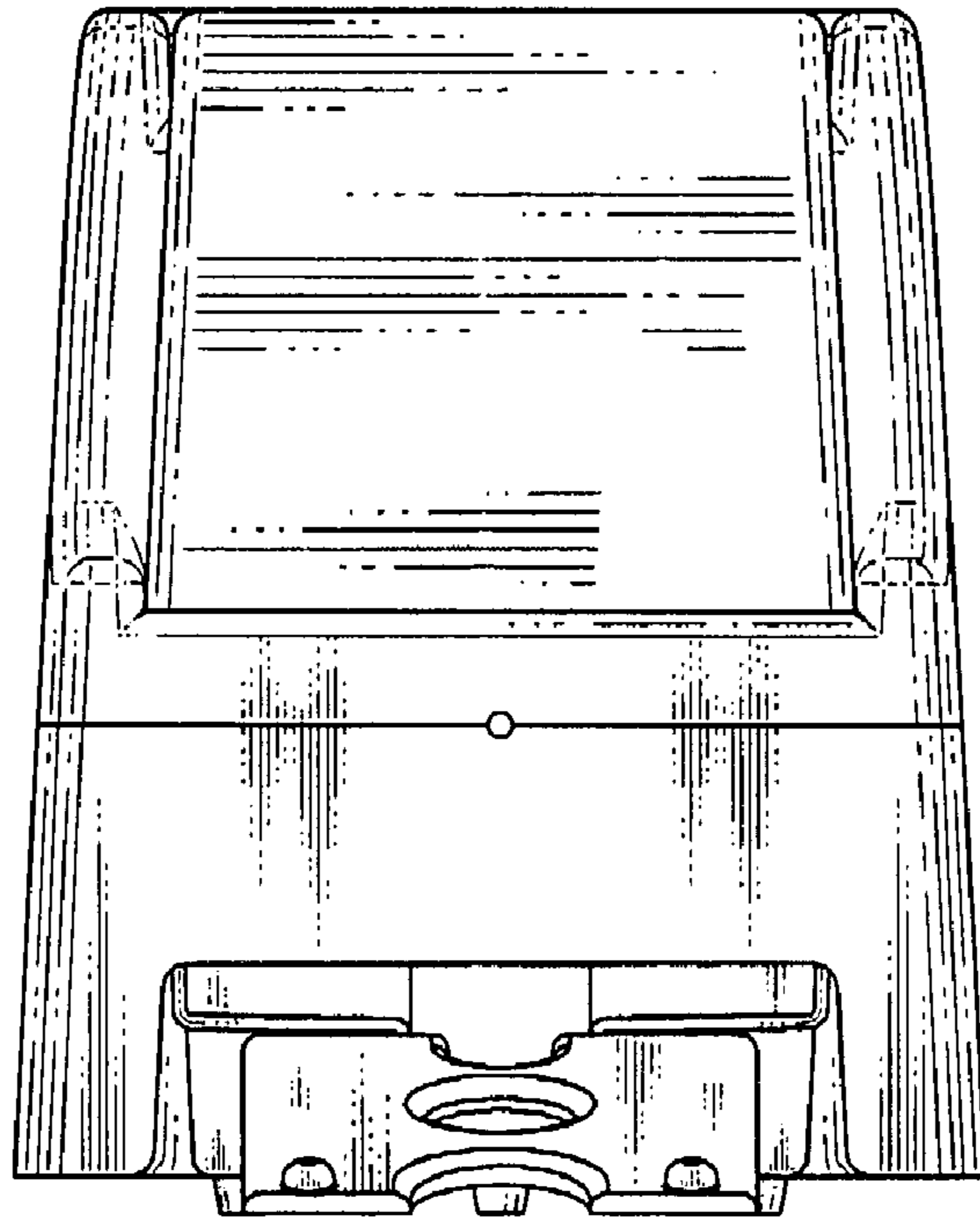


Fig. 2

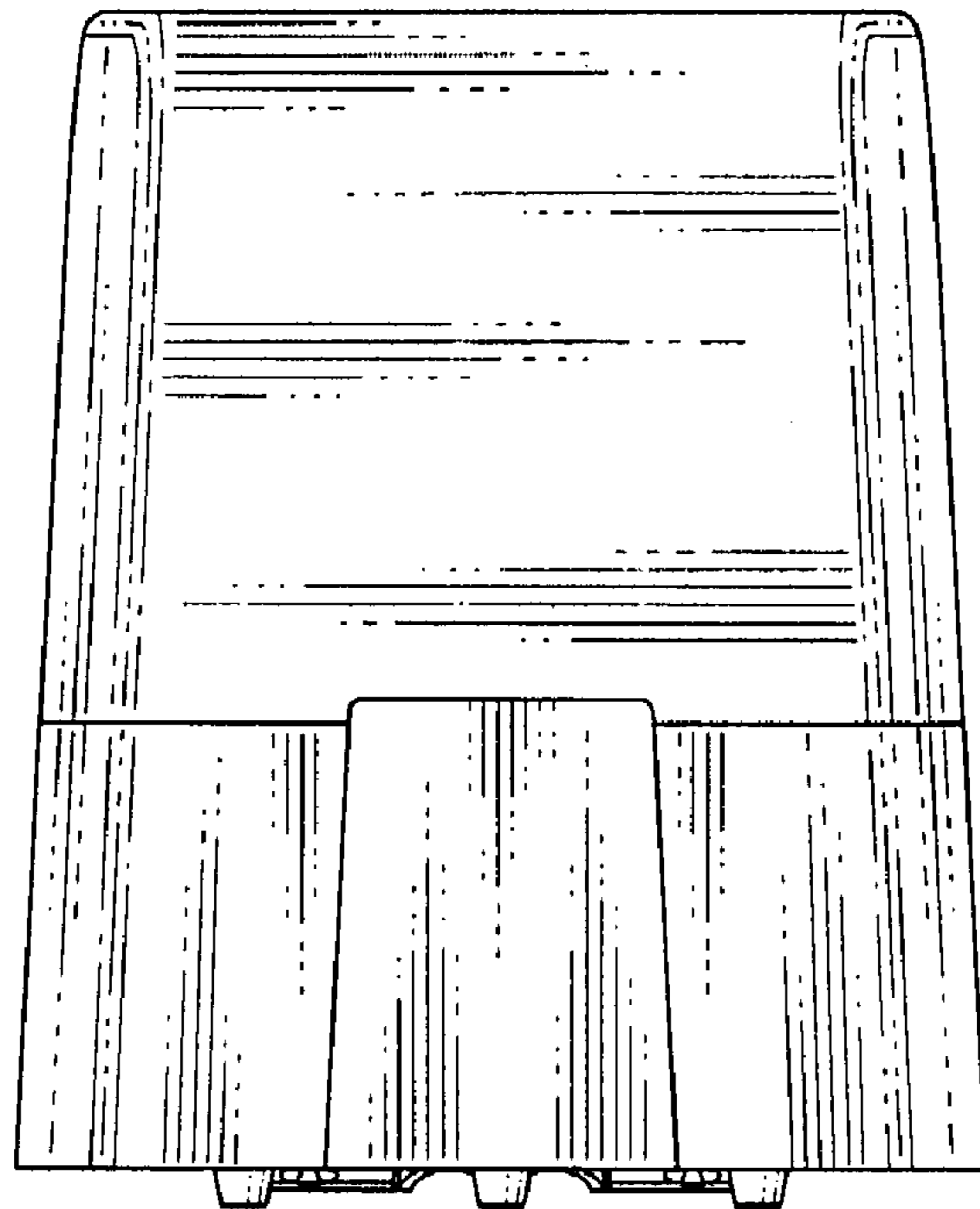


Fig. 3

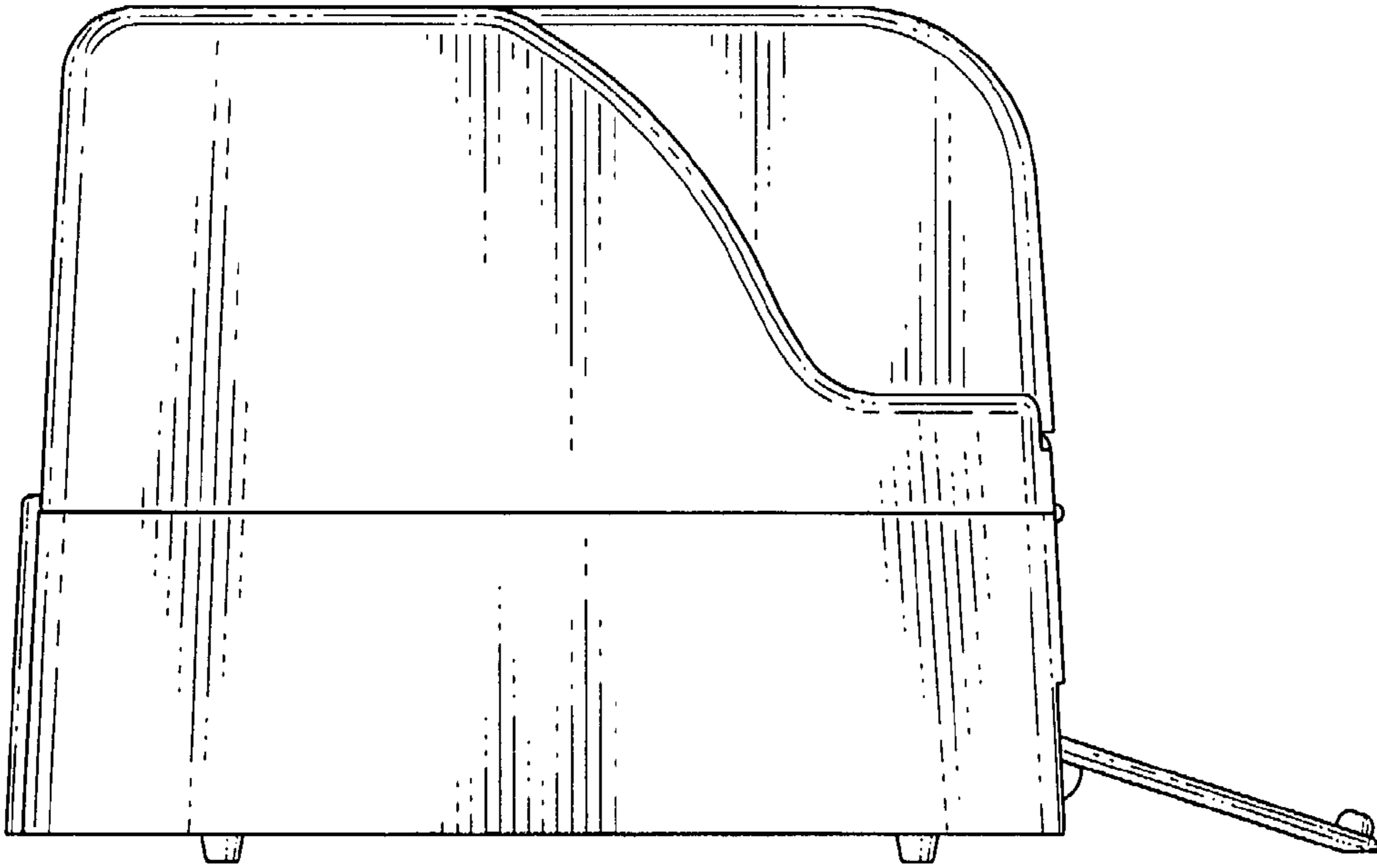


Fig. 4

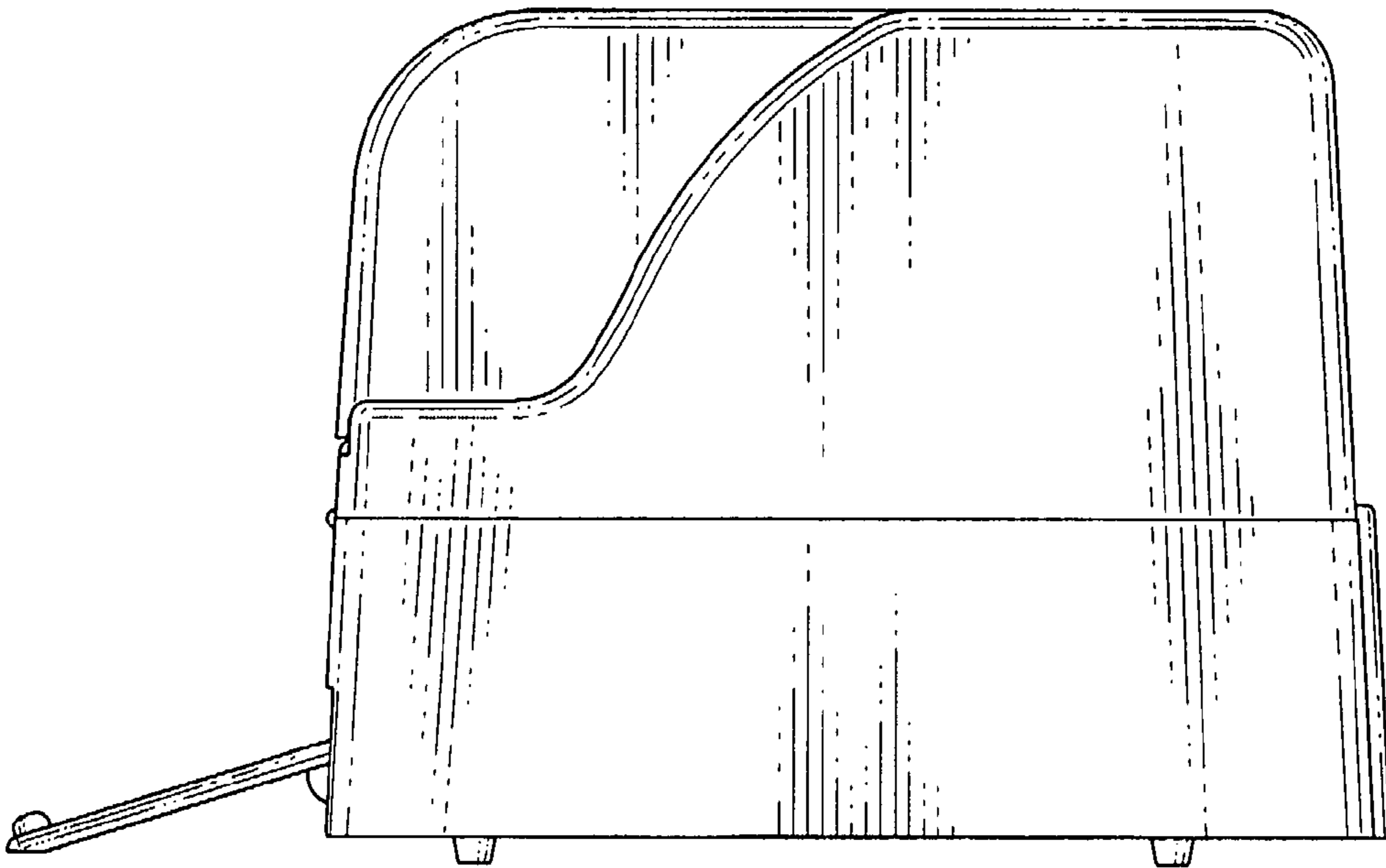


Fig. 5

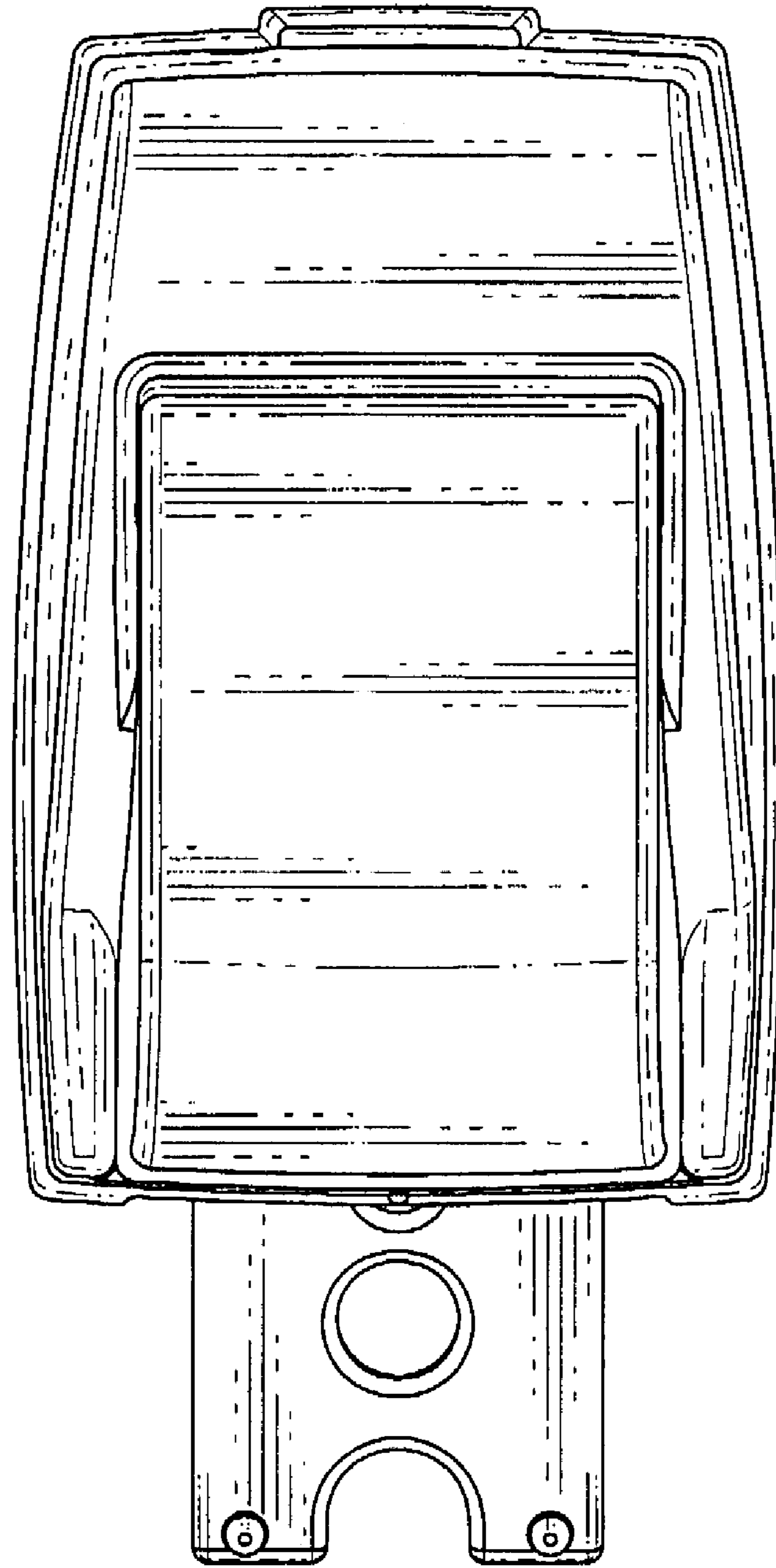


Fig. 6