



US00D582409S

(12) **United States Design Patent**
Maiers et al.

(10) **Patent No.:** **US D582,409 S**
(45) **Date of Patent:** **** Dec. 9, 2008**

(54) **ILLUMINATED PANEL OF A PORTABLE
HARD DRIVE HOUSING**

(75) Inventors: **Michael A. Maiers**, Campbell, CA (US);
Jeffrey Schmid, Lafayette, CO (US);
Howard Nuk, San Jose, CA (US)

(73) Assignee: **Seagate Technology**, Scotts Valley, CA
(US)

(**) Term: **14 Years**

(21) Appl. No.: **29/281,889**

(22) Filed: **Jul. 5, 2007**

D359,287 S *	6/1995	Heberling et al.	D14/242
D365,340 S *	12/1995	Hill et al.	D14/356
D406,145 S *	2/1999	Radakovic	D14/242
D431,230 S *	9/2000	Began	D13/184
D470,848 S *	2/2003	Morooka	D14/433
D479,238 S *	9/2003	Brown	D14/388
D488,798 S *	4/2004	Ishii et al.	D14/168
D514,590 S *	2/2006	Naruki	D14/496
D529,904 S *	10/2006	Yeo	D14/240
D534,182 S *	12/2006	Leija et al.	D14/496
D535,651 S *	1/2007	Wong et al.	D14/240
D539,286 S *	3/2007	Phillips et al.	D14/435
D551,289 S *	9/2007	Otsuka et al.	D18/56
D554,606 S *	11/2007	Kimura	D14/136
D558,787 S *	1/2008	Yu et al.	D14/496
2005/0269479 A1 *	12/2005	Yeh et al.	248/457

Related U.S. Application Data

(63) Continuation-in-part of application No. 29/275,805,
filed on Jan. 7, 2007.

(51) **LOC (8) Cl.** **14-02**

(52) **U.S. Cl.** **D14/356**

(58) **Field of Classification Search** D14/351-370,
D14/301, 313, 348-349, 432, 435-436, 496,
D14/137, 155, 167-168, 240, 242, 299; D13/149,
D13/184; D3/201, 273; 711/100, 115; 361/685;
369/272.1; 360/132-133, 135

See application file for complete search history.

(56) **References Cited**

U.S. PATENT DOCUMENTS

D106,181 S *	9/1937	Cardoza	D14/214
D190,202 S *	4/1961	Hirsch	D14/168
D260,886 S *	9/1981	Taylor	D14/314
D276,998 S *	1/1985	Caven	D13/184
D285,554 S *	9/1986	Beaumont et al.	D14/240
D322,963 S *	1/1992	Kittirutsunetorn	D14/242
D323,820 S *	2/1992	Gauldfeldt et al.	D14/368
D341,567 S *	11/1993	Acker et al.	D13/110
D346,172 S *	4/1994	Fields et al.	D14/299
D355,172 S *	2/1995	Hadaegh	D14/242

OTHER PUBLICATIONS

Seagate Technology—Portable Storage Solutions [online], [retrieved
on Jun. 23, 2008]. Retrieved from the Internet <URL: <http://www.seagate.com/www/en-us/products/portable/>>.*

* cited by examiner

Primary Examiner—Robin V. Webster

Assistant Examiner—Karen E Kearney

(74) *Attorney, Agent, or Firm*—Banner & Witcoff, Ltd.

(57) **CLAIM**

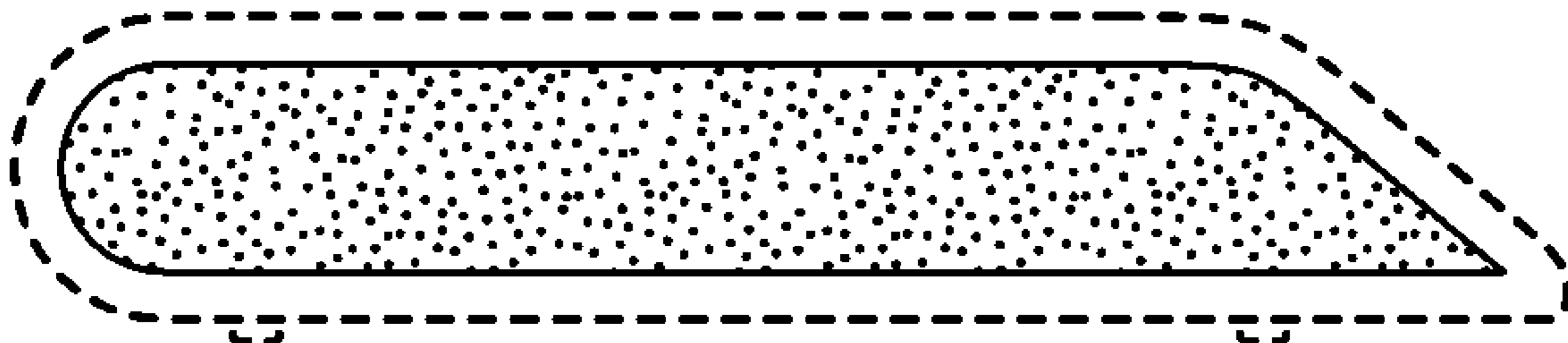
The ornamental design for an illuminated panel of a portable
hard drive housing, as shown and described.

DESCRIPTION

FIG. 1 is a perspective view of an illuminated panel of a
portable hard drive housing showing our new design; and,
FIG. 2 is a top plan view thereof.

The broken lines showing of the remainder of the portable
hard drive housing are for the purpose of illustrating
unclaimed portions and form no part of the claimed design.

1 Claim, 1 Drawing Sheet



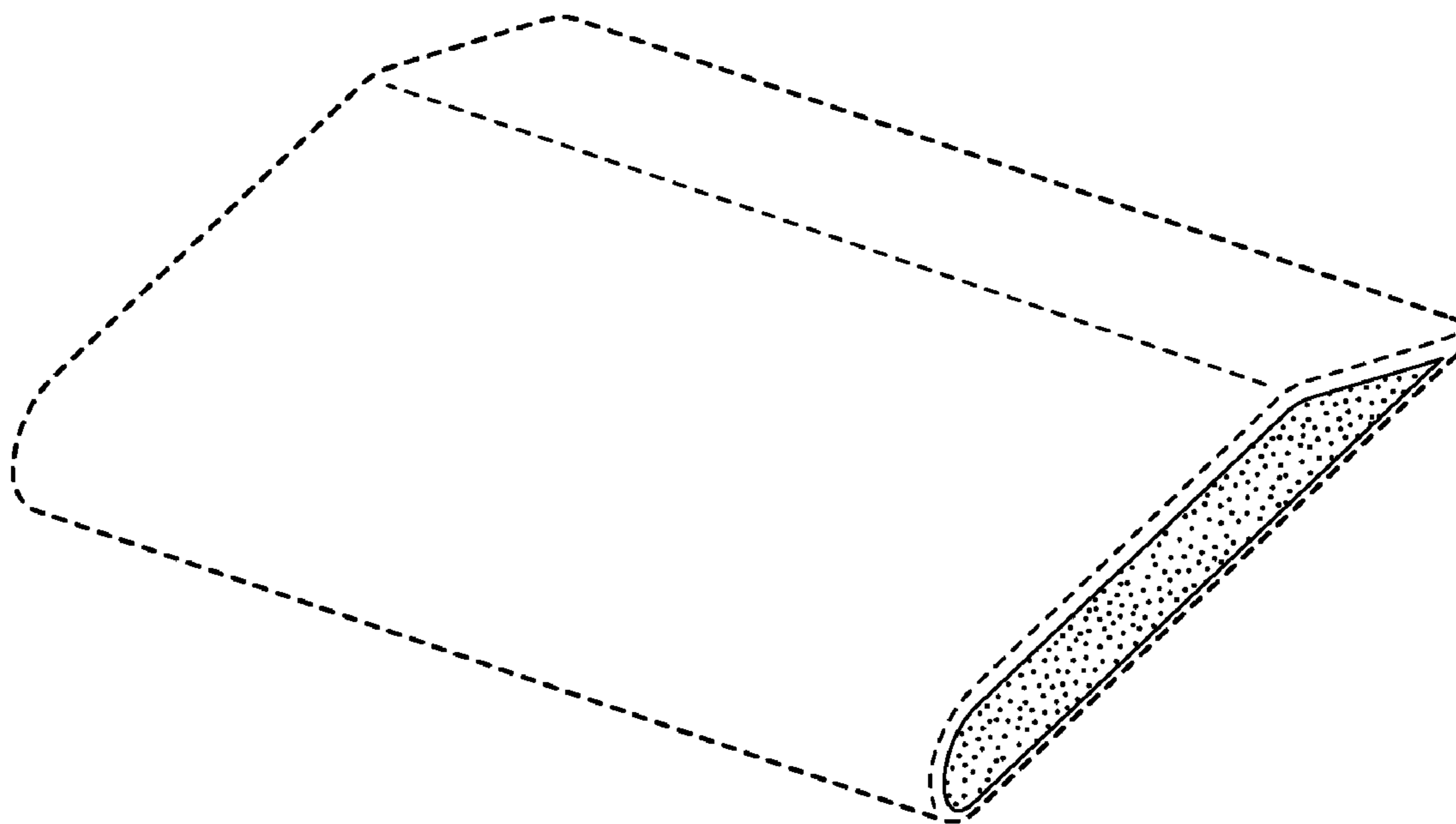


FIG. 1

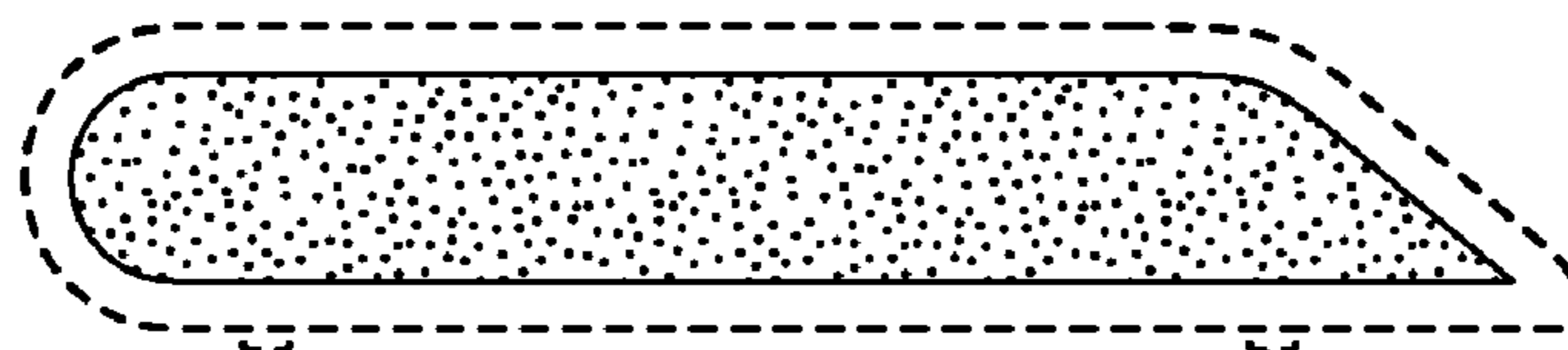


FIG. 2