



US00D582401S

(12) **United States Design Patent**  
**Stenhouse et al.**

(10) **Patent No.:** **US D582,401 S**

(45) **Date of Patent:** **\*\* Dec. 9, 2008**

(54) **MEDIUM LOW PROFILE TILTABLE MOUNT FOR FLAT PANEL DISPLAY**

(75) Inventors: **Brett Stenhouse**, Phoenix, AZ (US);  
**David Anderson**, Mesa, AZ (US);  
**Flavio Ly Hau**, Maricopa, AZ (US);  
**Zachary Eyman**, Phoenix, AZ (US);  
**Tom Muday**, Scottsdale, AZ (US); **Don Westgaard**, Cave Creek, AZ (US)

(73) Assignee: **Omnimount Systems, Inc.**, Phoenix, AZ (US)

(\*\*) Term: **14 Years**

(21) Appl. No.: **29/320,288**

(22) Filed: **Jun. 24, 2008**

(51) **LOC (8) Cl.** ..... **14-03**

(52) **U.S. Cl.** ..... **D14/239**

(58) **Field of Classification Search** ..... D14/239,  
D14/451-454, 224, 316, 375-377, 432, 439,  
D14/447, 448, 455, 457, 469; D8/363, 373,  
D8/349, 394; 248/278.1, 279.1, 514, 291.1,  
248/125.1, 121, 124.1, 125.7, 276.1, 415,  
248/284.1, 286.1, 281.11, 292.11, 181.2,  
248/917-921, 126-128, 133, 178.1, 183.1,  
248/183.2, 346.01, 346.03, 349.1, 371, 473,  
248/474, 512; 348/825, 827, 836, 837; 600/443  
See application file for complete search history.

(56) **References Cited**

**U.S. PATENT DOCUMENTS**

D538,140 S \* 3/2007 Ly Hau et al. .... D8/373

D538,141 S \* 3/2007 Stenhouse et al. .... D8/373  
D553,125 S \* 10/2007 Ly Hau et al. .... D14/239  
D560,670 S \* 1/2008 Anderson et al. .... D14/451  
D560,671 S \* 1/2008 Muday et al. .... D14/451  
D560,672 S \* 1/2008 Muday et al. .... D14/451  
D570,355 S \* 6/2008 Muday et al. .... D14/451  
D570,852 S \* 6/2008 Muday et al. .... D14/451  
D575,294 S \* 8/2008 Stenhouse et al. .... D14/451

\* cited by examiner

*Primary Examiner*—Raphael Barkai

*Assistant Examiner*—Randall H Gholson

(74) *Attorney, Agent, or Firm*—Hogan & Hartson LLP

(57) **CLAIM**

The ornamental design for a medium low profile tilttable mount for flat panel display, as shown and described.

**DESCRIPTION**

FIG. 1 is a top, left isometric view of a medium low profile tilttable mount for flat panel display.

FIG. 2 is a rear, elevational view thereof.

FIG. 3 is a front, elevational view thereof.

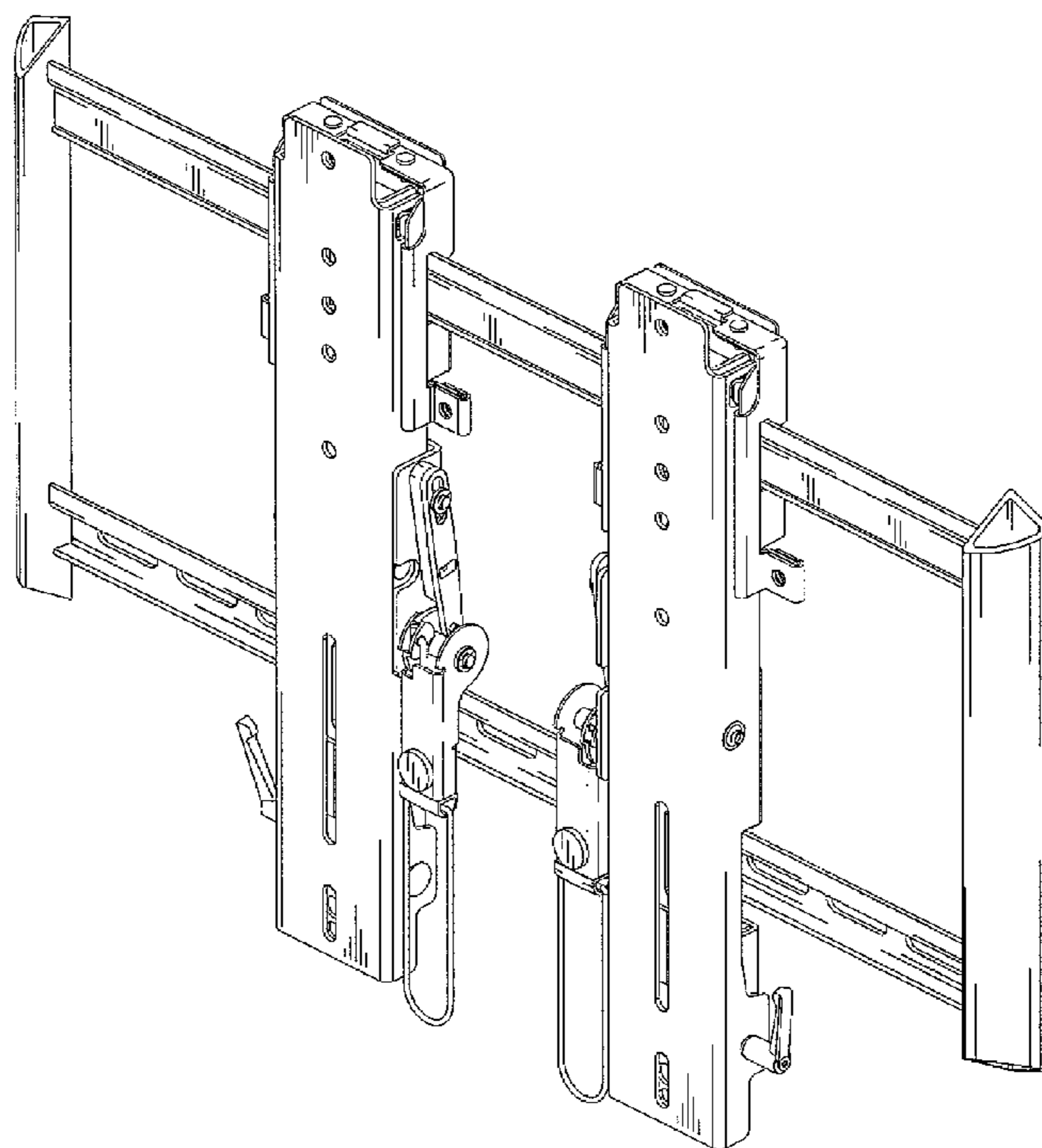
FIG. 4 is a top, elevational view thereof.

FIG. 5 is a bottom, elevational view thereof.

FIG. 6 is a left side view thereof; and,

FIG. 7 is a right side view thereof.

**1 Claim, 5 Drawing Sheets**



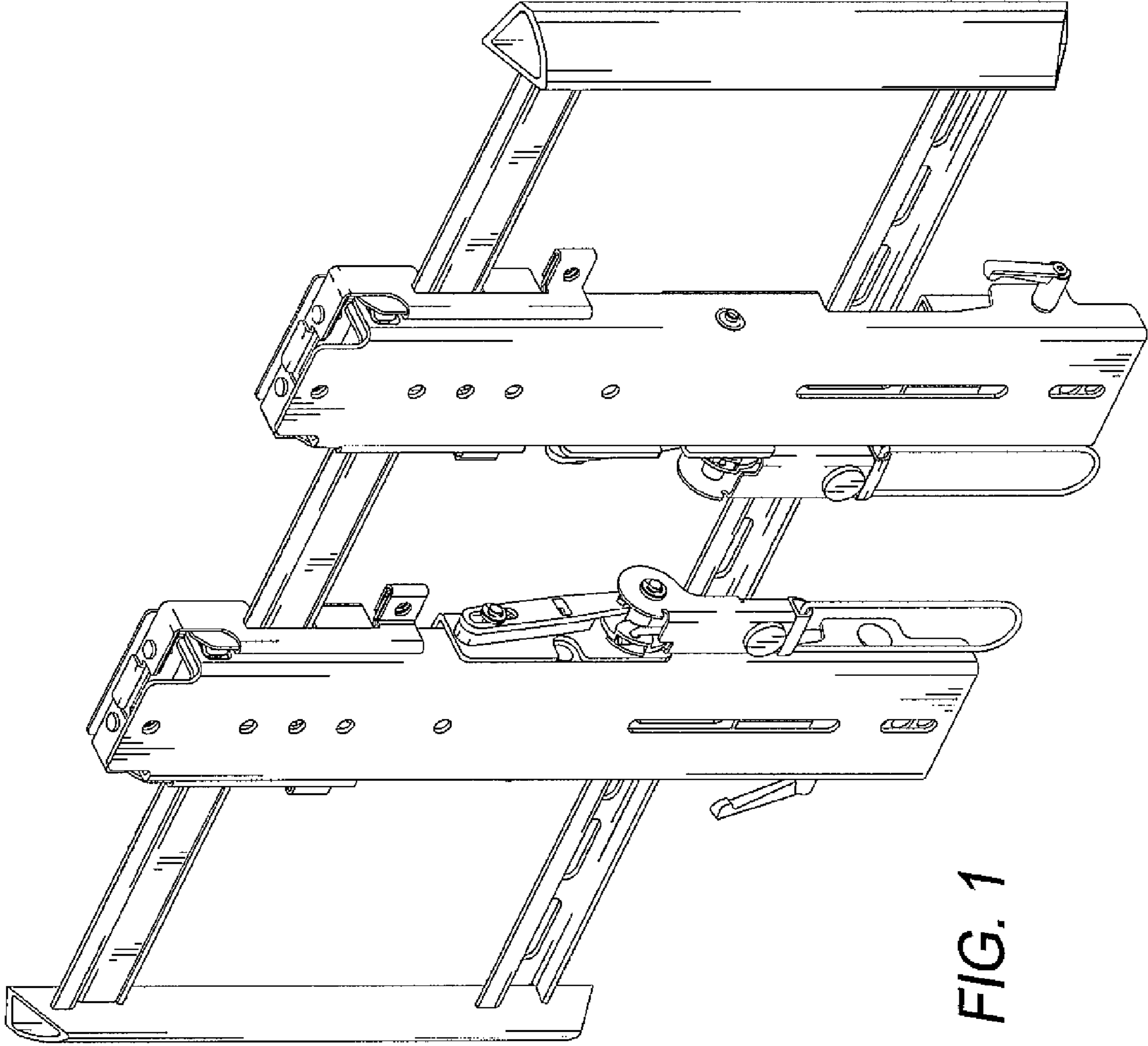


FIG. 1

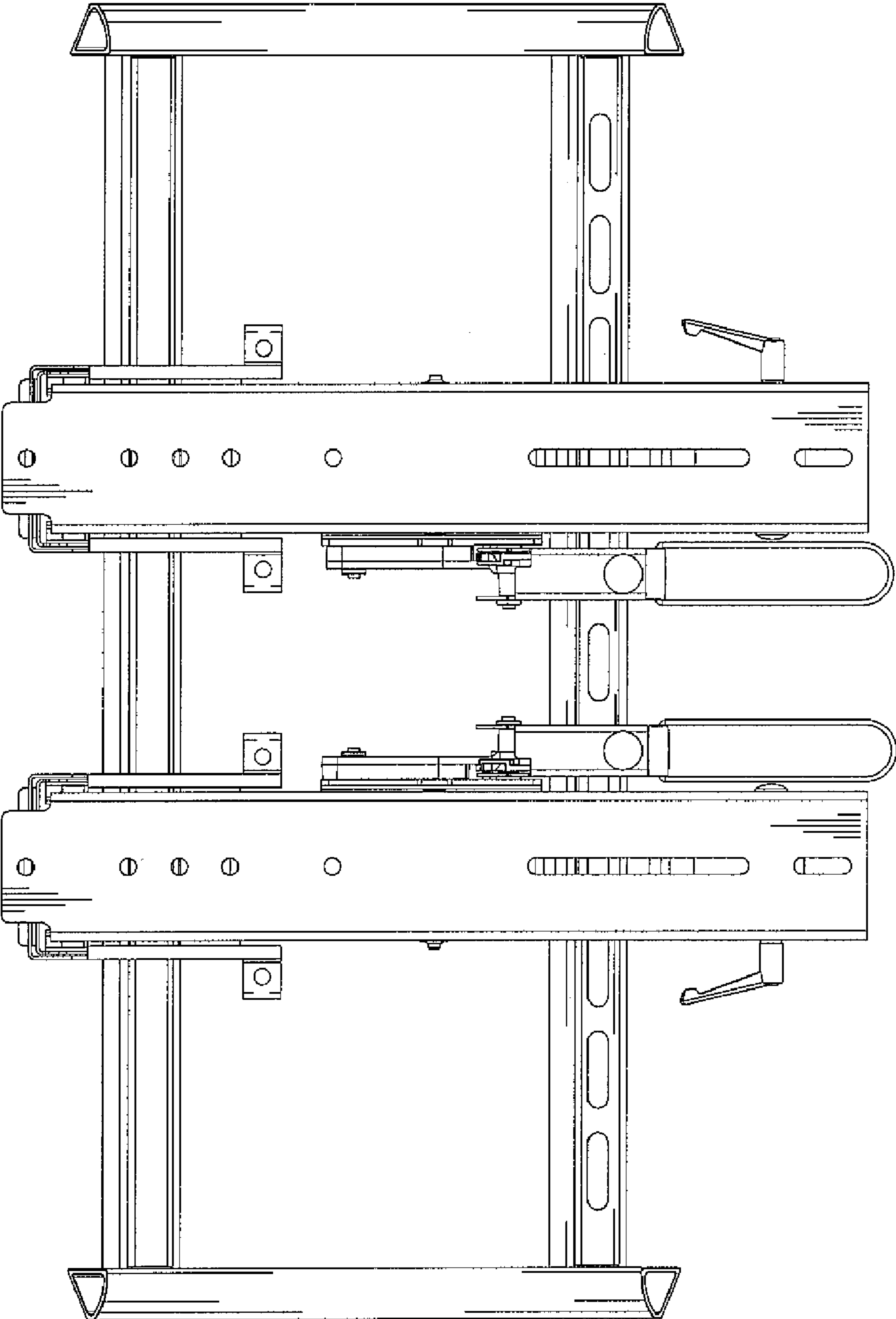


FIG. 2

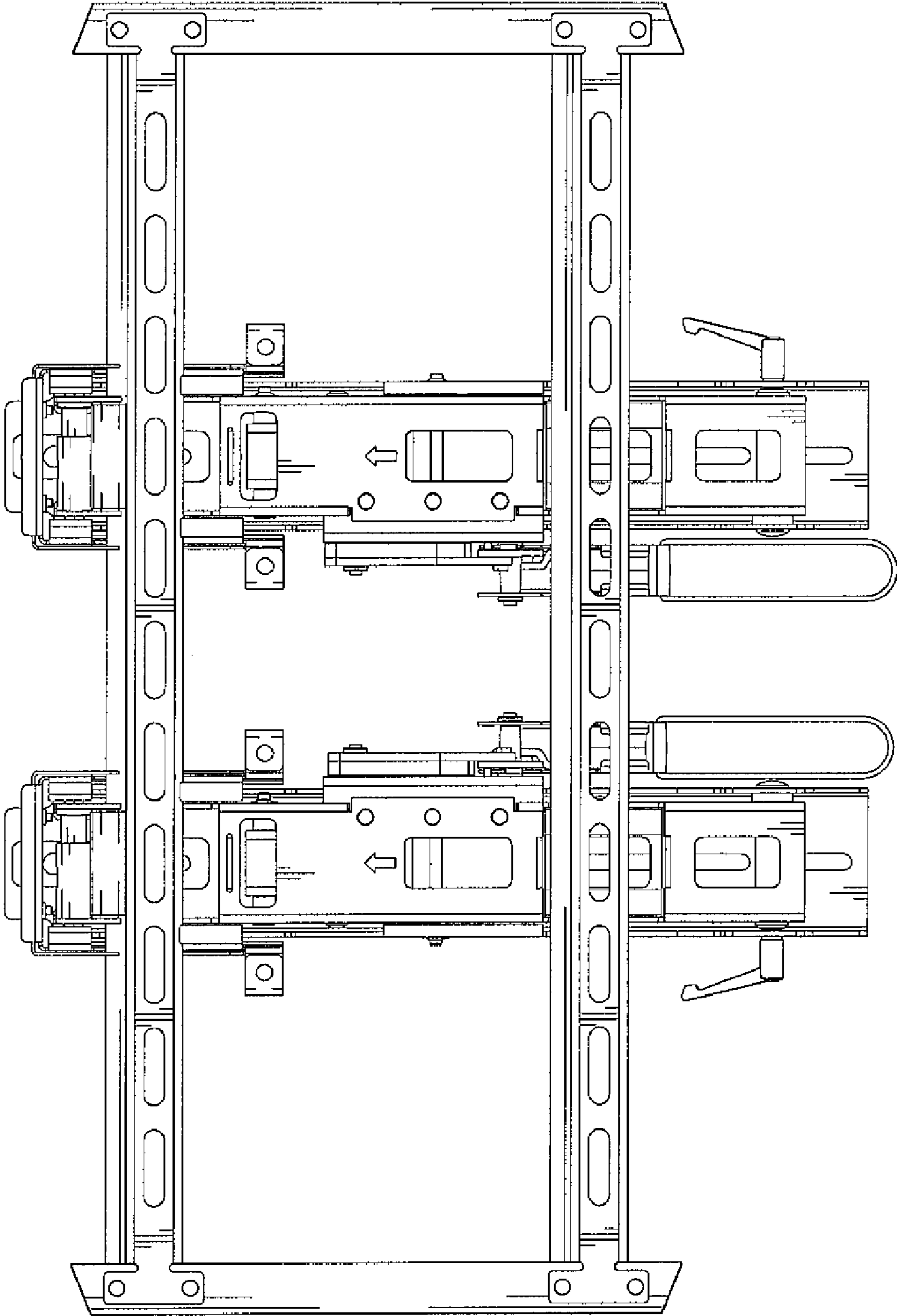
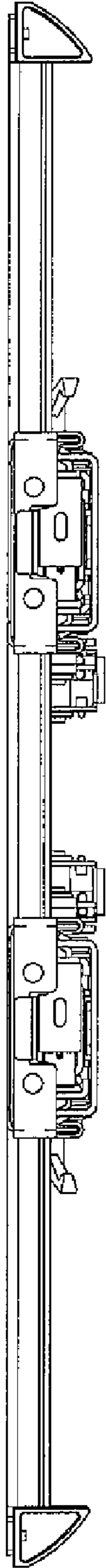


FIG. 3



*FIG. 4*



*FIG. 5*



FIG. 7

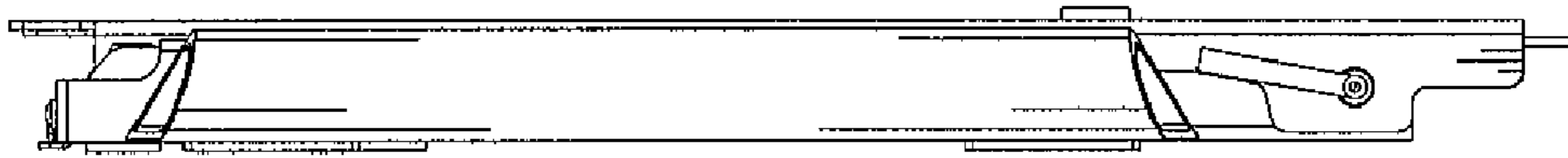


FIG. 6