



US00D582397S

(12) **United States Design Patent**
Christopher

(10) **Patent No.:** **US D582,397 S**

(45) **Date of Patent:** **** Dec. 9, 2008**

(54) **USER INTERFACE**

(75) Inventor: **Stephen M. Christopher**, Chicago, IL
(US)

(73) Assignee: **Motorola, Inc.**, Schaumburg, IL (US)

(**) Term: **14 Years**

(21) Appl. No.: **29/296,295**

(22) Filed: **Oct. 17, 2007**

(51) **LOC (8) Cl.** **14-01**

(52) **U.S. Cl.** **D14/223; D14/205**

(58) **Field of Classification Search** D14/205,
D14/206, 223; 181/129, 130, 135; 379/430,
379/431, 338, 375, 376, 433.01, 433.02,
379/433.03; 381/380, 381, 370, 374, 375,
381/376, 377, 378, 379; 455/575.2

See application file for complete search history.

(56) **References Cited**

U.S. PATENT DOCUMENTS

4,958,697	A *	9/1990	Moody	181/129
D430,146	S *	8/2000	Lin	D14/223
D452,492	S *	12/2001	Mori	D14/223
D471,898	S *	3/2003	Bae	D14/223
D494,570	S *	8/2004	Ma	D14/223
6,839,432	B1 *	1/2005	Martin	379/446
D538,271	S *	3/2007	Kim et al.	D14/223
D539,787	S *	4/2007	Kim et al.	D14/223
D553,613	S *	10/2007	Sade et al.	D14/223
D559,836	S *	1/2008	Lee	D14/223

D562,310	S *	2/2008	Moon et al.	D14/223
D566,108	S *	4/2008	Kan	D14/223
D568,302	S *	5/2008	Oh	D14/223
D573,983	S *	7/2008	Bang et al.	D14/223
D575,277	S *	8/2008	Gaarde et al.	D14/223

* cited by examiner

Primary Examiner—Paula Greene

(74) *Attorney, Agent, or Firm*—Hisashi D. Watanabe

(57) **CLAIM**

The ornamental design for a user interface, as shown and described.

DESCRIPTION

FIG. 1 is a perspective view of a user interface showing my new design;

FIG. 2 is a bottom view thereof;

FIG. 3 is a top view thereof;

FIG. 4 is a first side elevational view thereof;

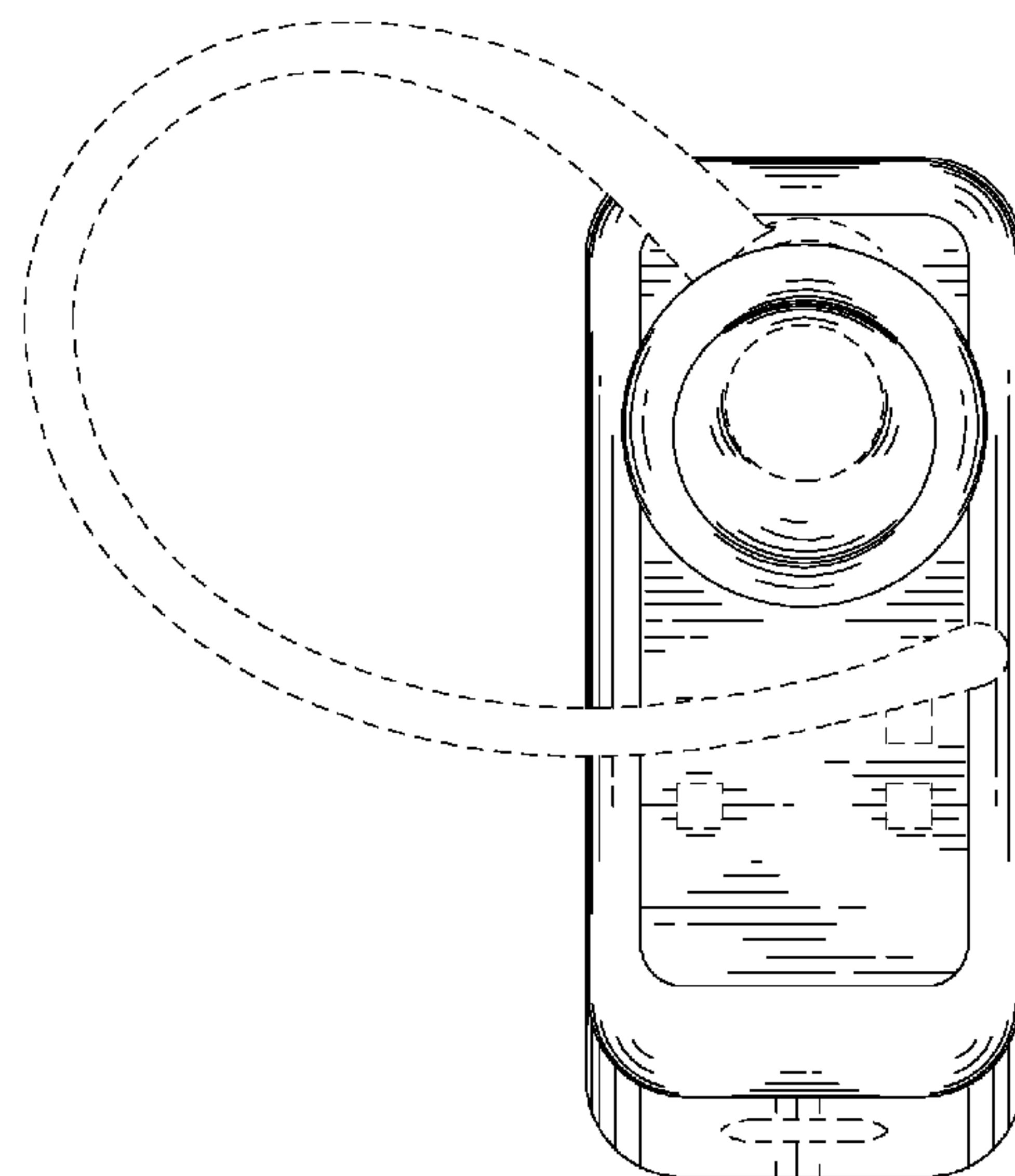
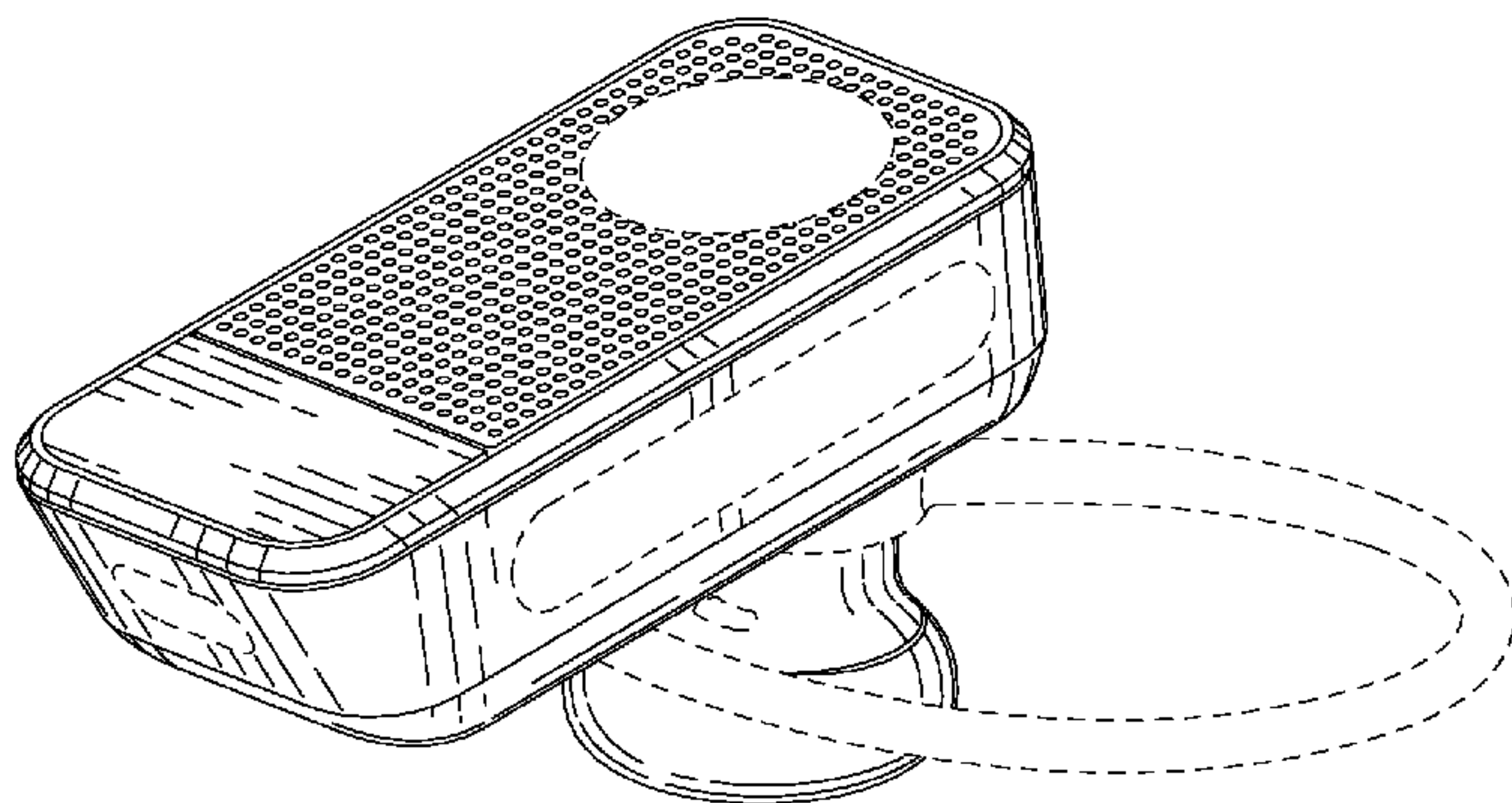
FIG. 5 is a second side elevational view thereof;

FIG. 6 is a rear end elevational view thereof; and,

FIG. 7 is a front end elevational view thereof.

The broken lines shown in FIGS. 1–7 that are immediately adjacent to the shaded areas represent the bound of the claimed design, while all other broken lines are directed to environment and are for illustrative purposes only; the broken lines form no part of the claim design.

1 Claim, 4 Drawing Sheets



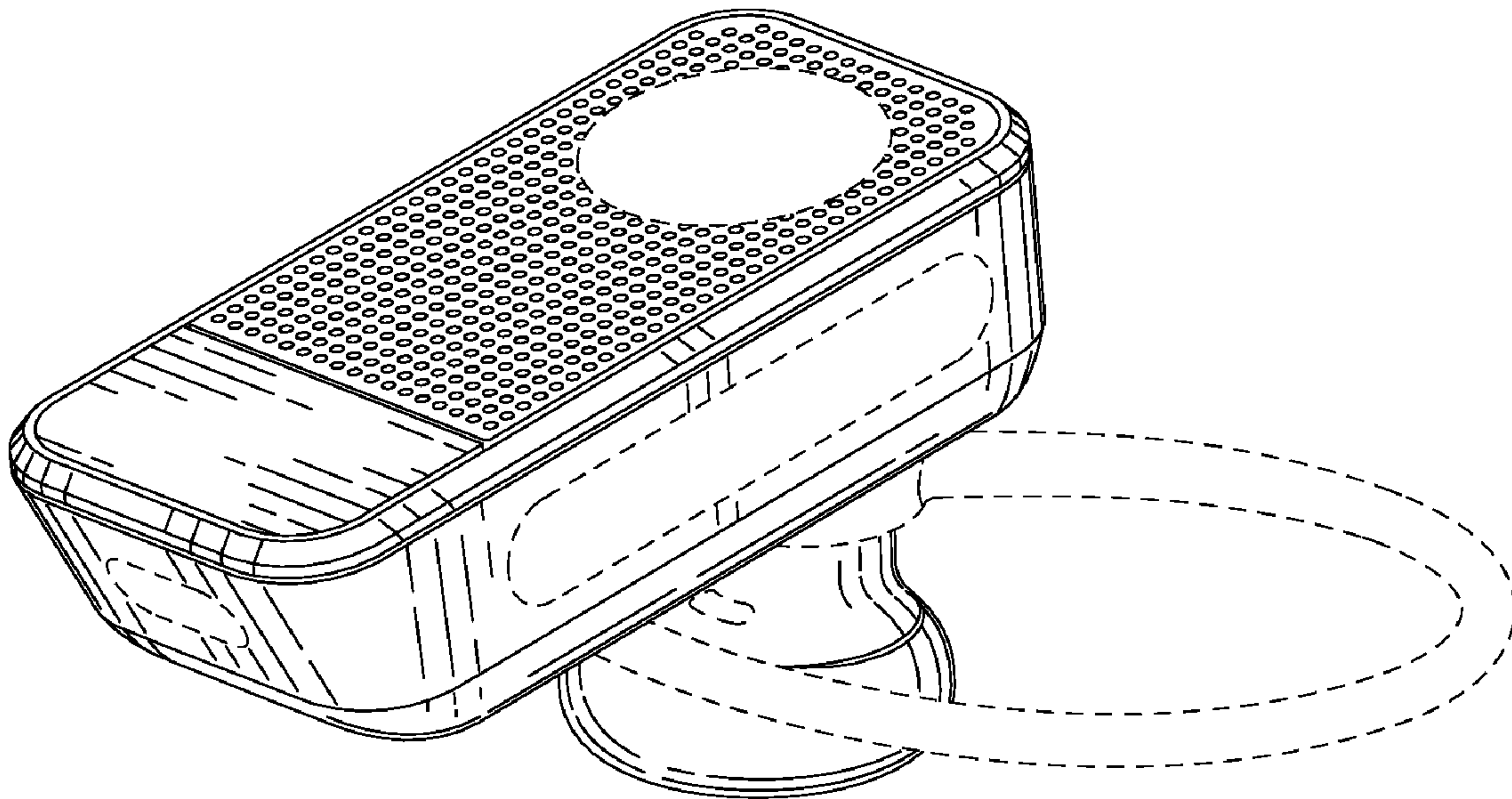


FIG. 1

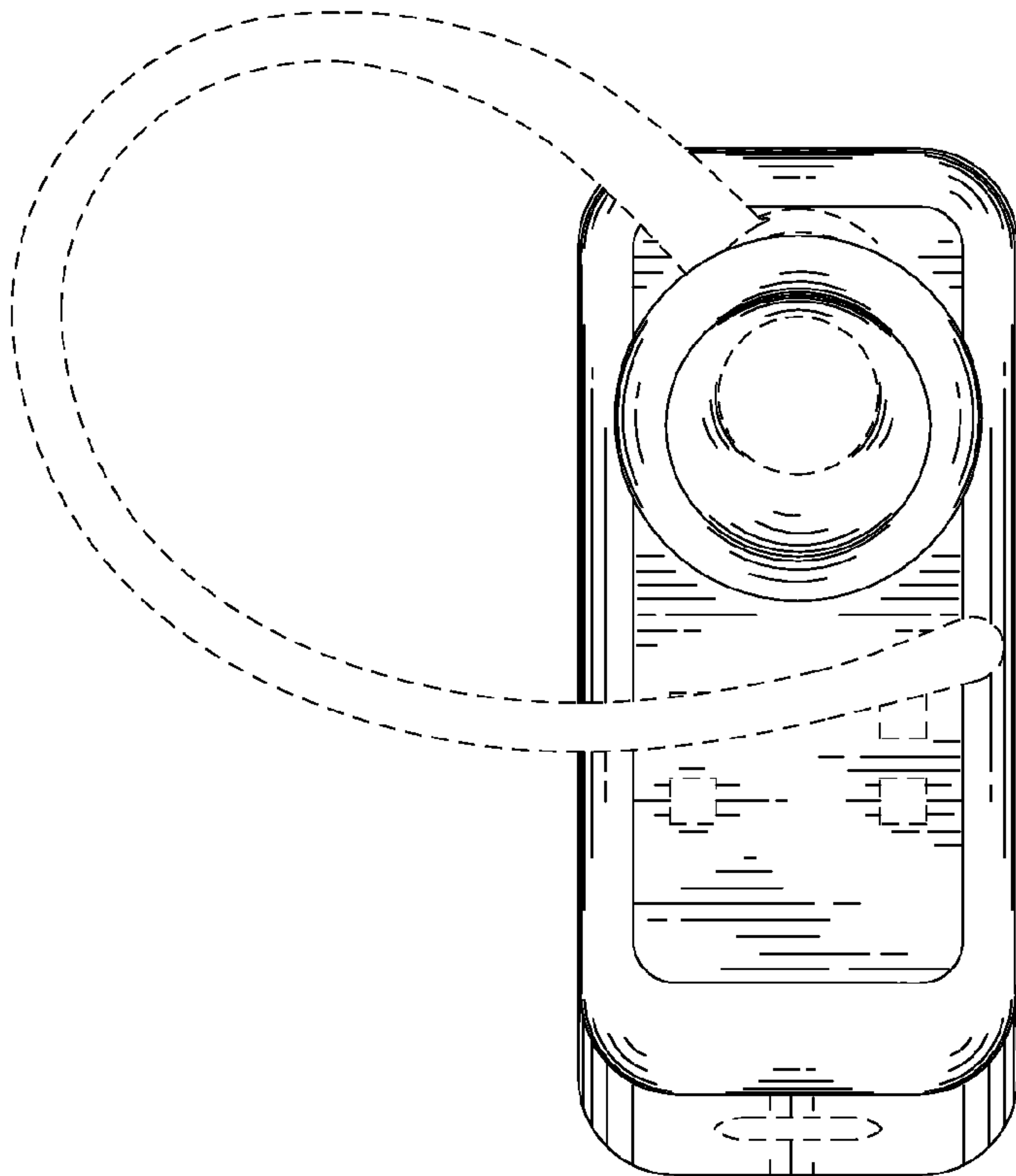


FIG. 2

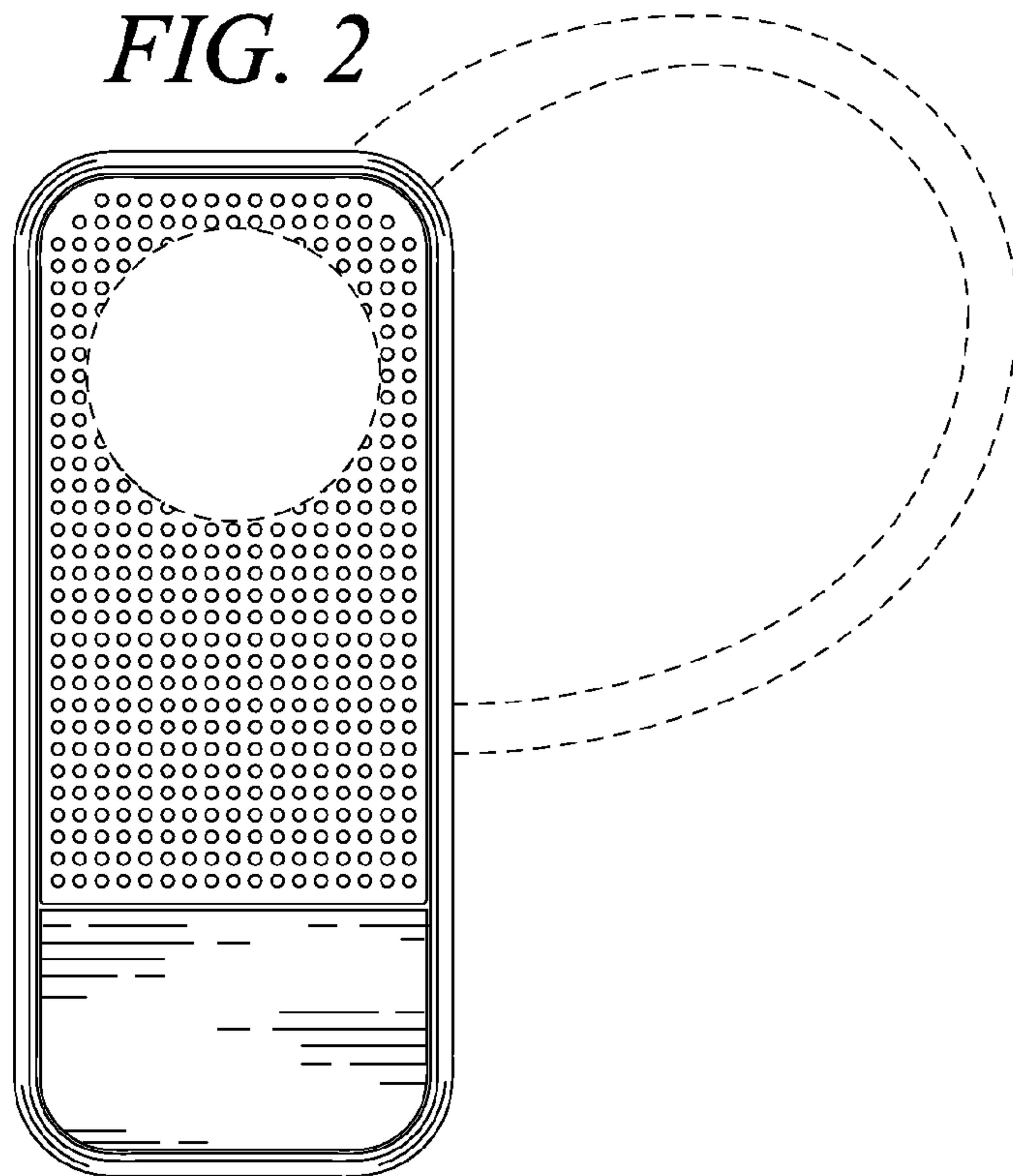


FIG. 3

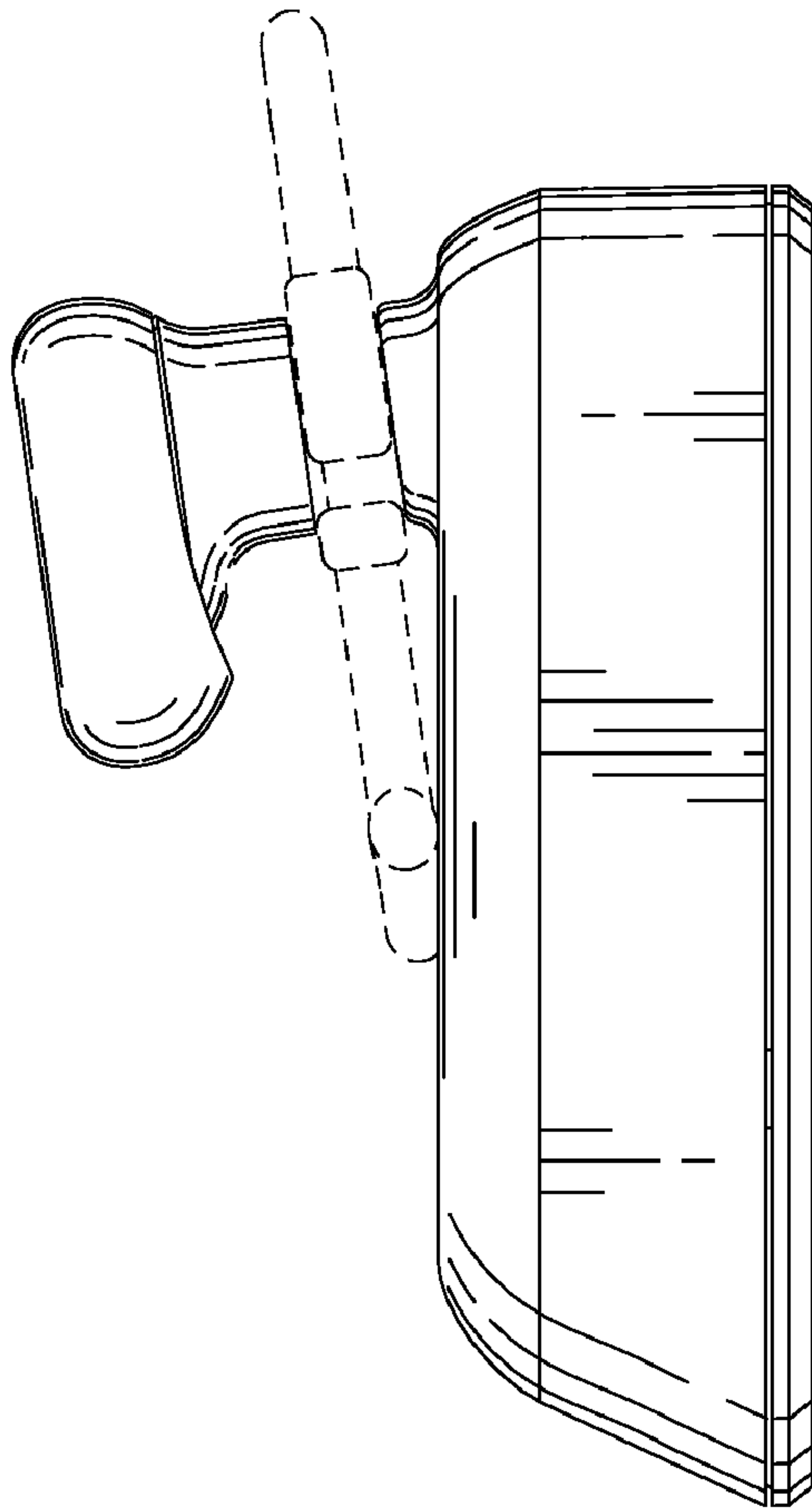


FIG. 4

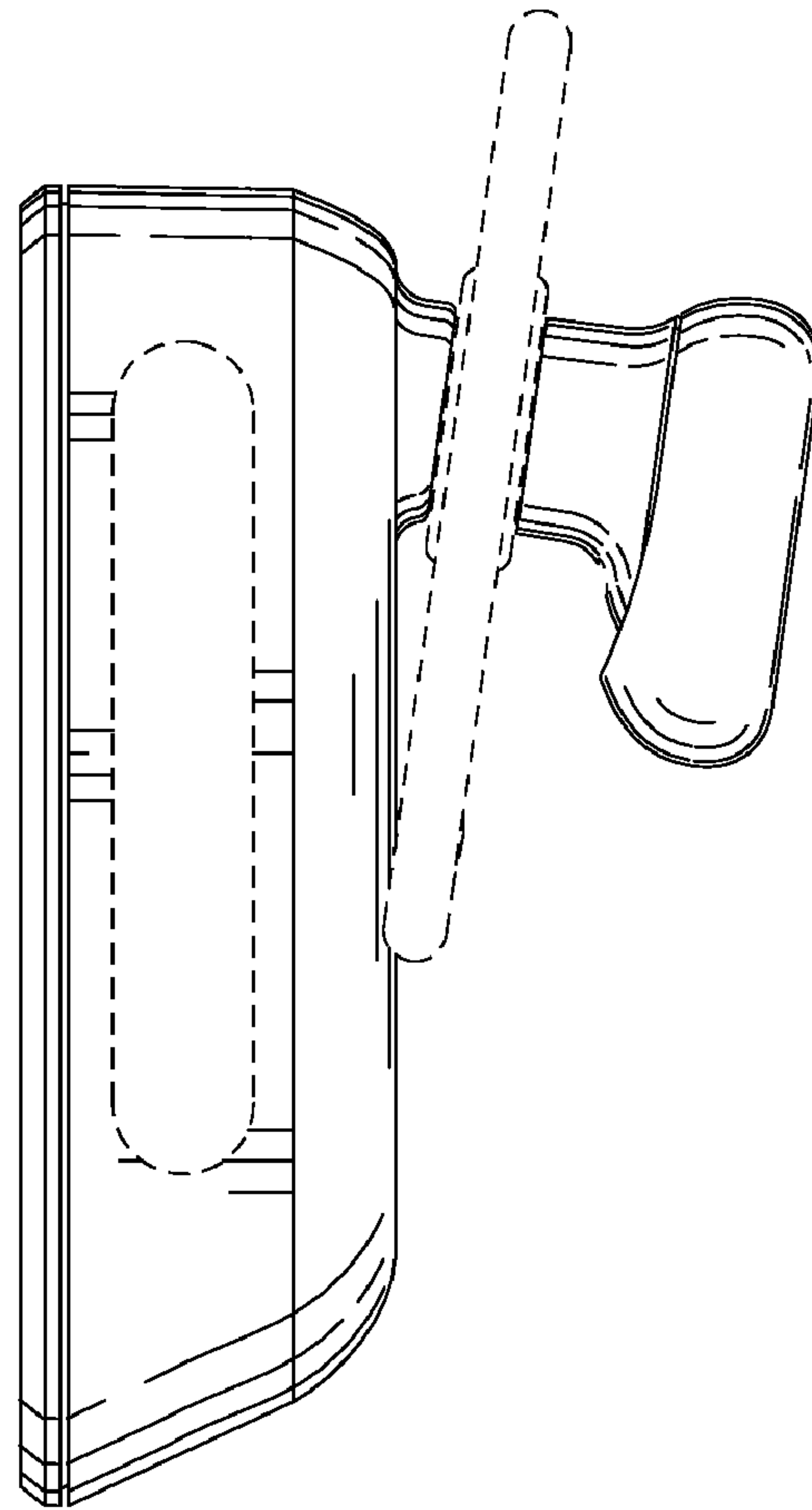


FIG. 5

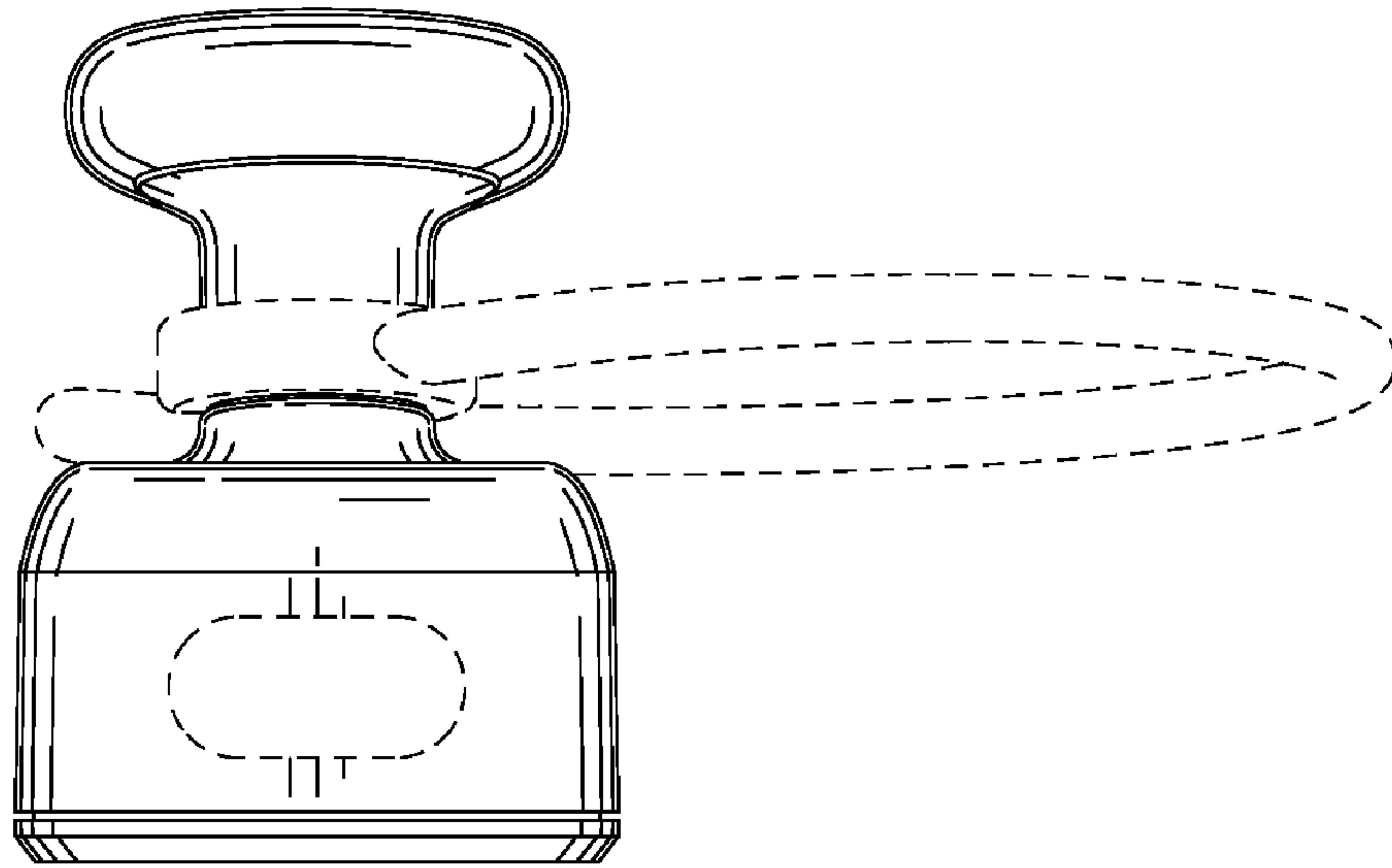


FIG. 6

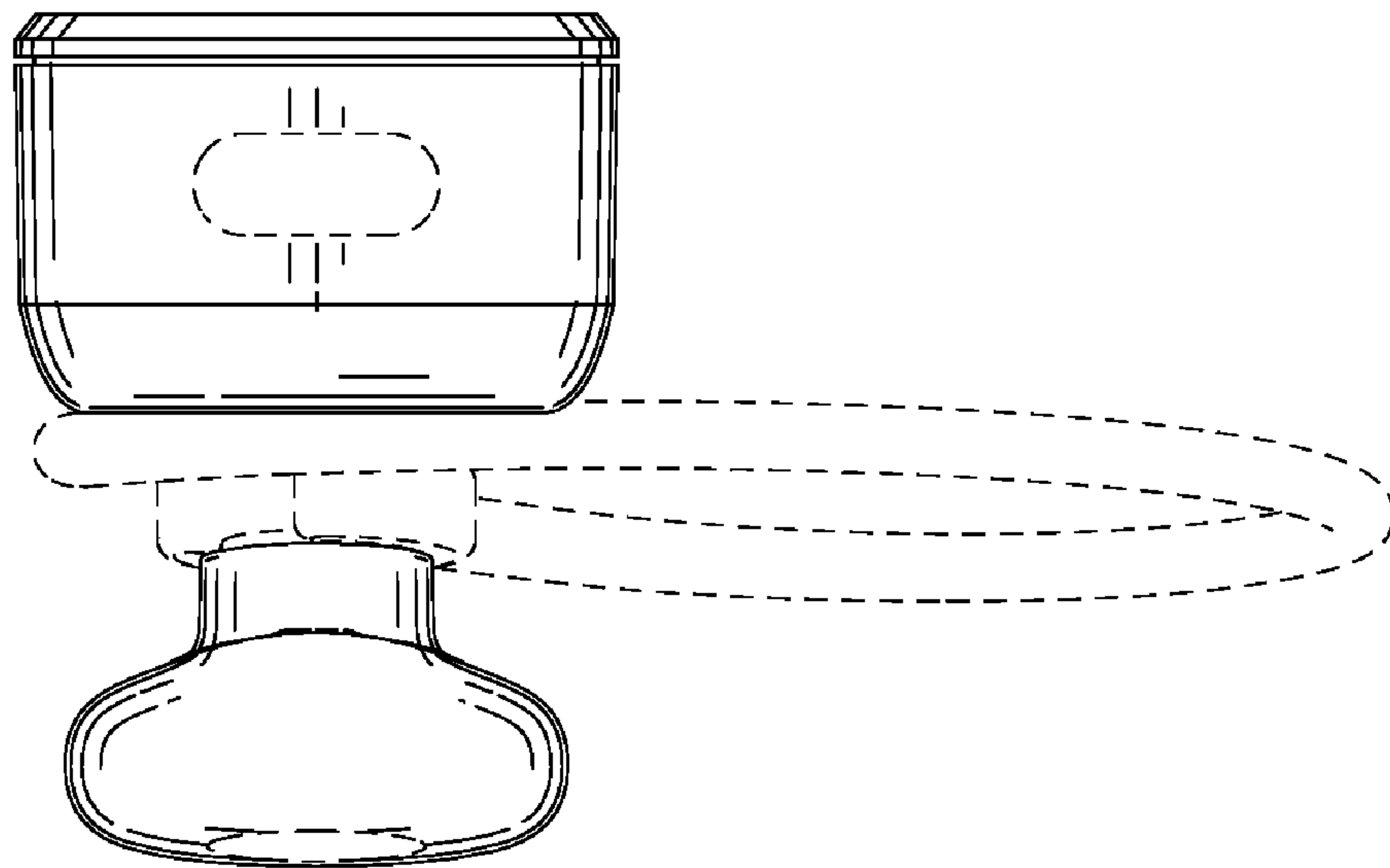


FIG. 7