



US00D582393S

(12) **United States Design Patent**
Yokoyama

(10) **Patent No.:** **US D582,393 S**

(45) **Date of Patent:** **** Dec. 9, 2008**

(54) **SPEAKER**

D551,209 S * 9/2007 Mizokawa D14/216
D551,210 S * 9/2007 Mizokawa D14/216

(75) Inventor: **Hiroaki Yokoyama**, Tokyo (JP)

FOREIGN PATENT DOCUMENTS

(73) Assignee: **Sony Corporation**, Tokyo (JP)

CN D3408548 S 12/2004
CN D3413761 S 12/2004

(**) Term: **14 Years**

* cited by examiner

(21) Appl. No.: **29/290,627**

Primary Examiner—Nanda Bondade

(22) Filed: **Dec. 28, 2007**

(74) *Attorney, Agent, or Firm*—Rader, Fishman & Grauer, PLLC

(51) **LOC (8) Cl.** **14-01**

(57) **CLAIM**

(52) **U.S. Cl.** **D14/216**

The ornamental design for a speaker, as shown and described.

(58) **Field of Classification Search** D14/204,
D14/209–216, 219–222; 181/143–144, 147–148,
181/150, 157, 198–199, 151, 153; 381/300–302,
381/306, 333, 345, 361–364, 386–388, 332,
381/336

DESCRIPTION

See application file for complete search history.

FIG. 1 is a front perspective view of a speaker showing my new design;

(56) **References Cited**

FIG. 2 is a front elevational view thereof;

U.S. PATENT DOCUMENTS

FIG. 3 is a left side elevational view thereof;

D434,751 S 12/2000 Sogabe et al.
D488,802 S 4/2004 Uehara et al.
D489,359 S 5/2004 Hakoda
D494,155 S 8/2004 Shindo et al.
D532,771 S 11/2006 Motoishi
D534,158 S 12/2006 Yokoyama
D547,751 S 7/2007 Shiono
D549,692 S * 8/2007 Mizokawa D14/216

FIG. 4 is a right side elevational view thereof;

FIG. 5 is a top plan view thereof; and

FIG. 6 is a bottom plan view thereof; and,

FIG. 7 is a rear elevational view thereof.

The portions indicated in broken lines are for illustrative purposes only and form no part of the claimed design.

1 Claim, 7 Drawing Sheets

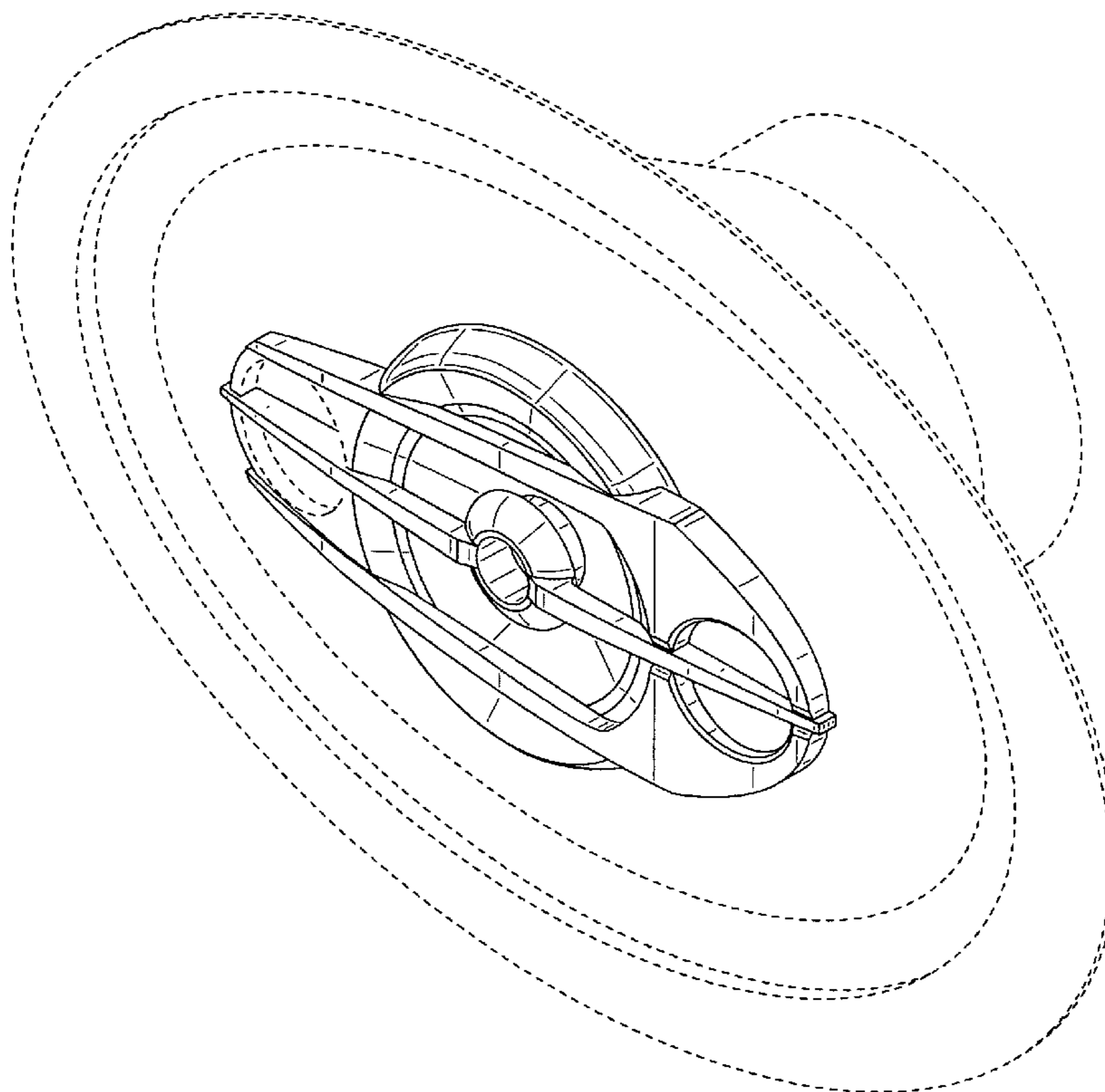
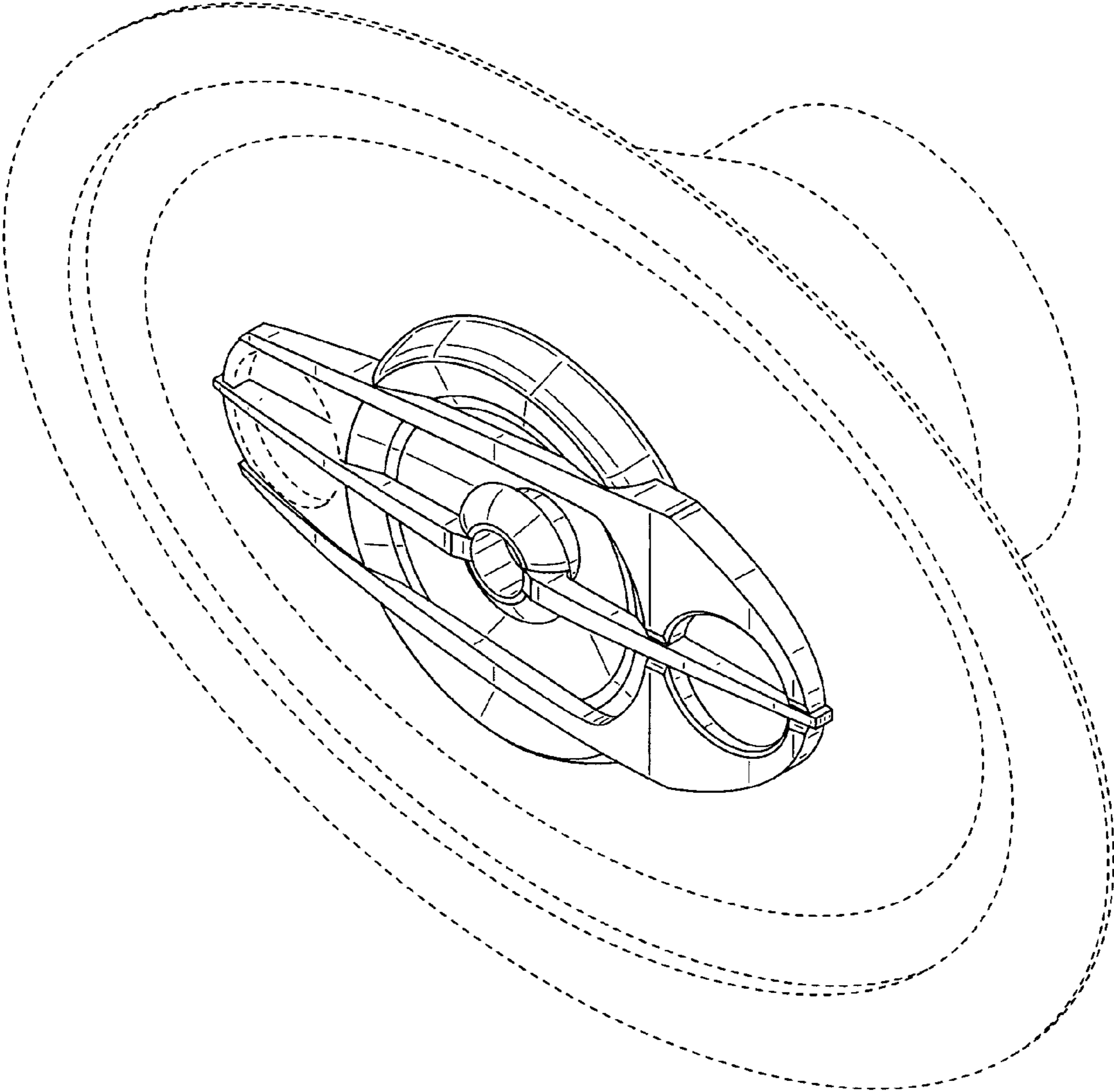


FIG.1



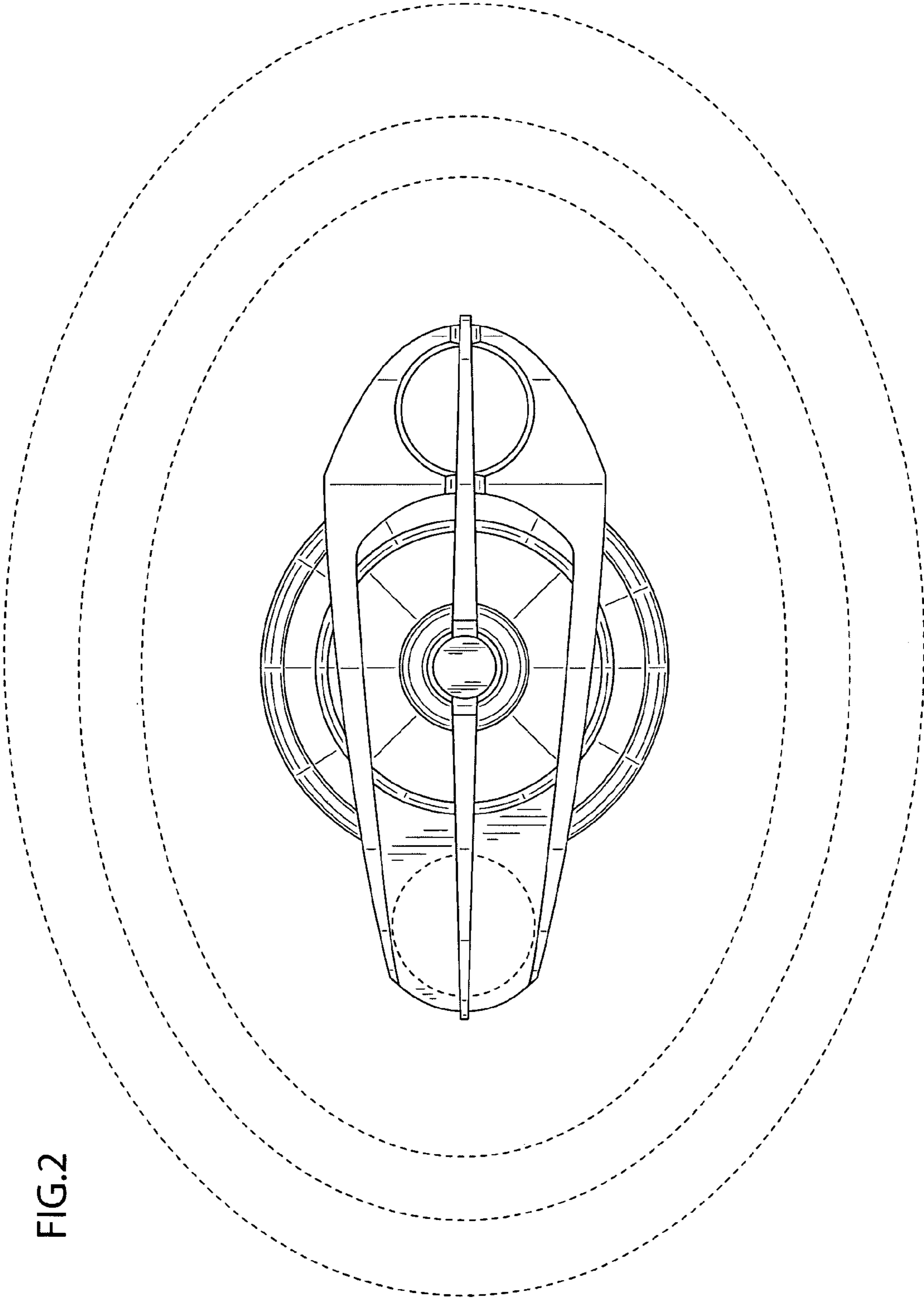


FIG.2

FIG.3

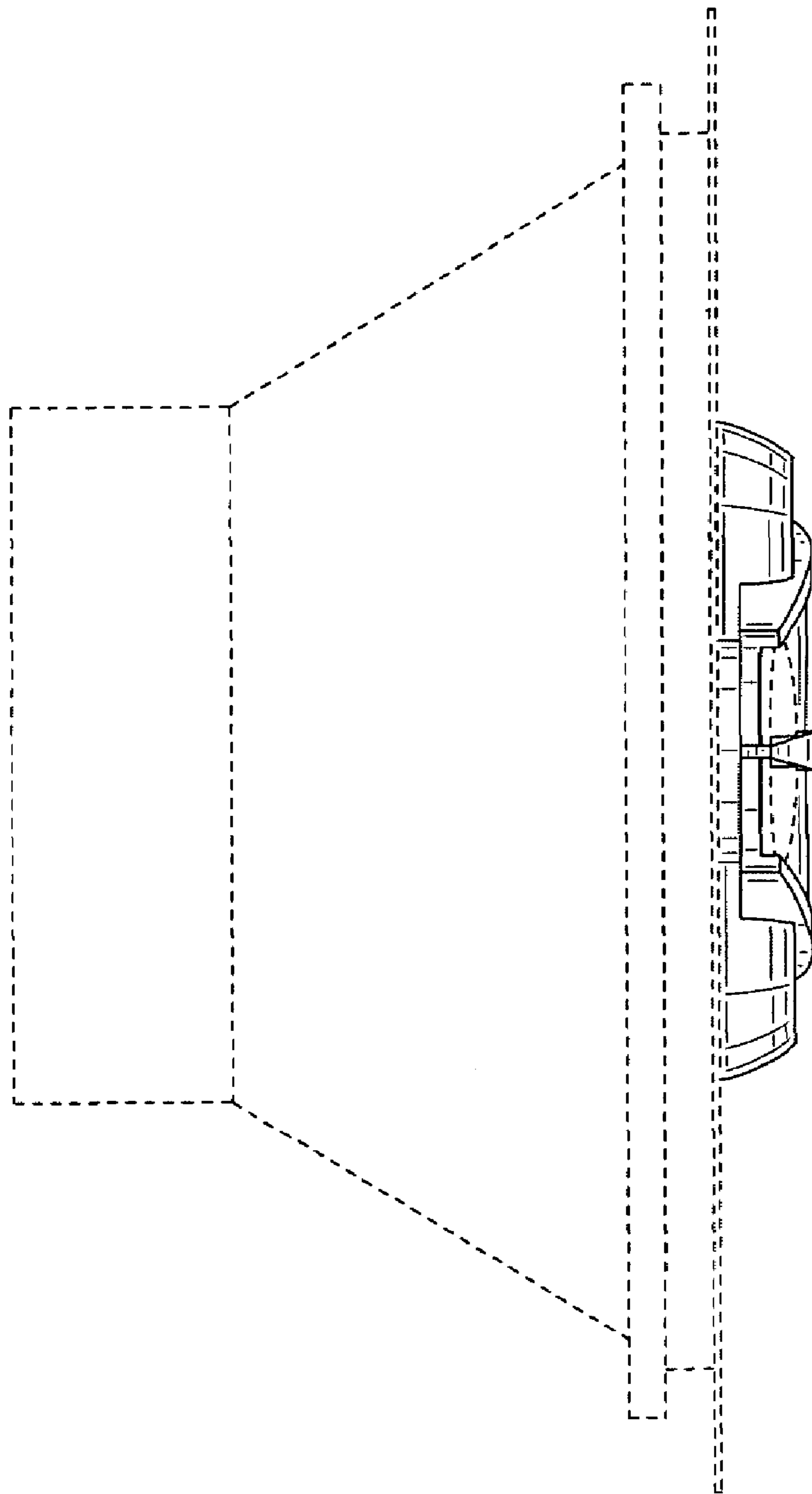
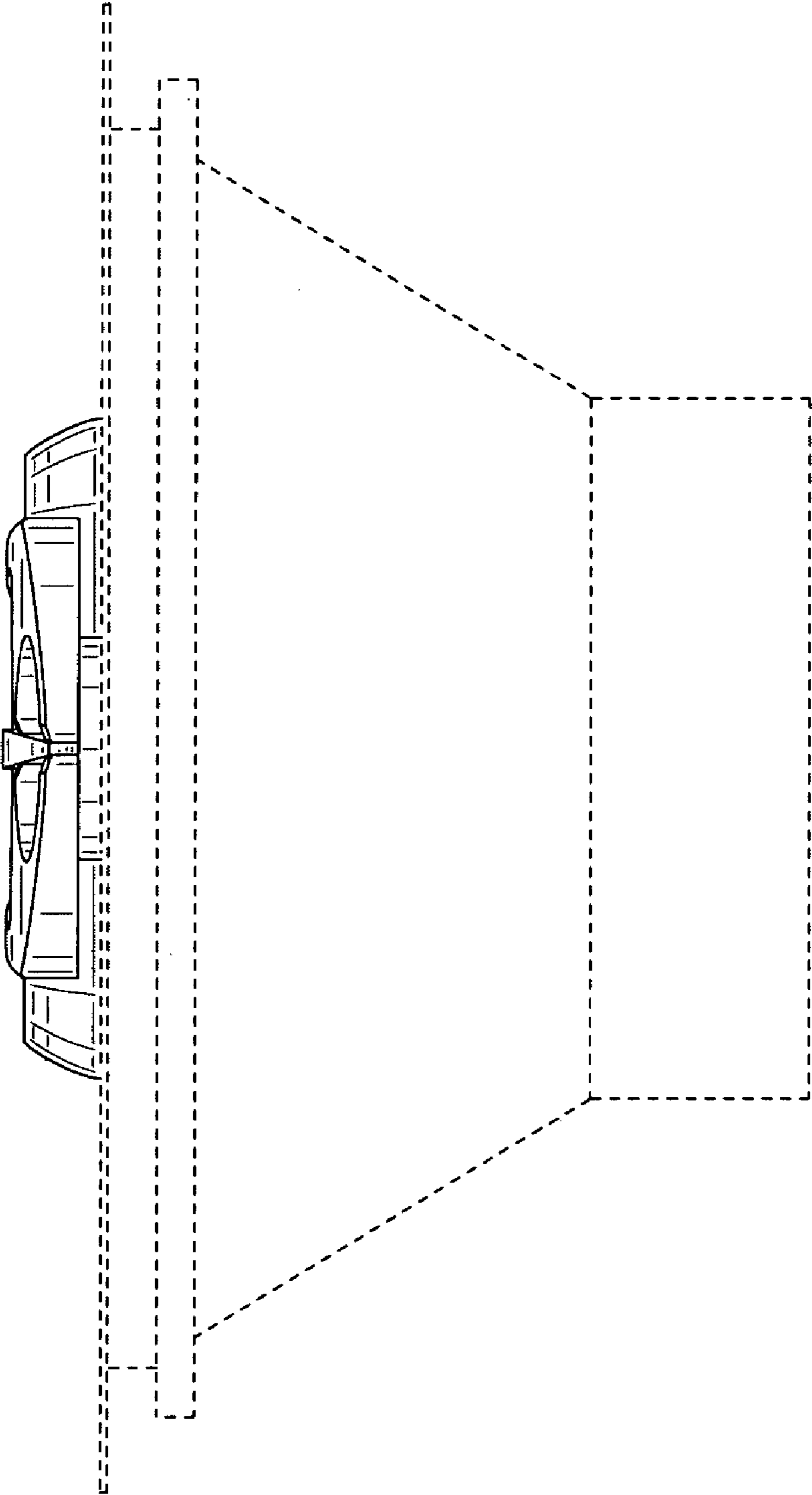


FIG.4



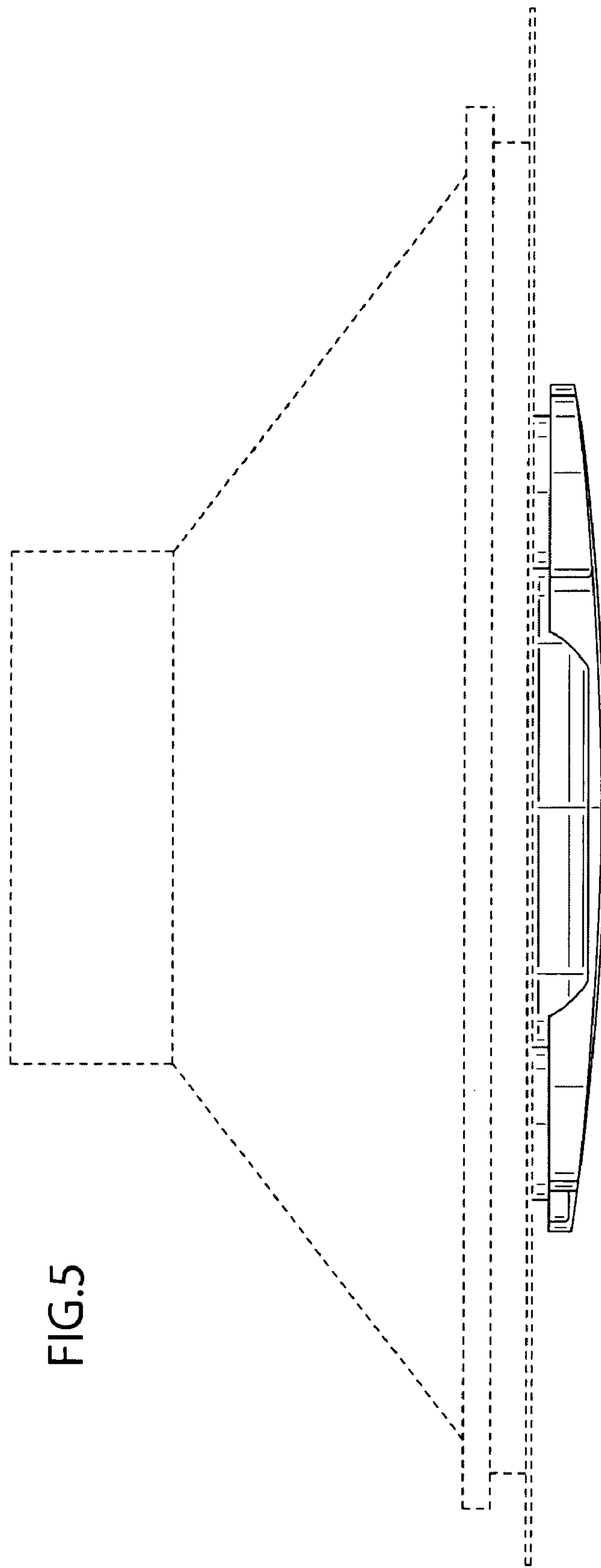
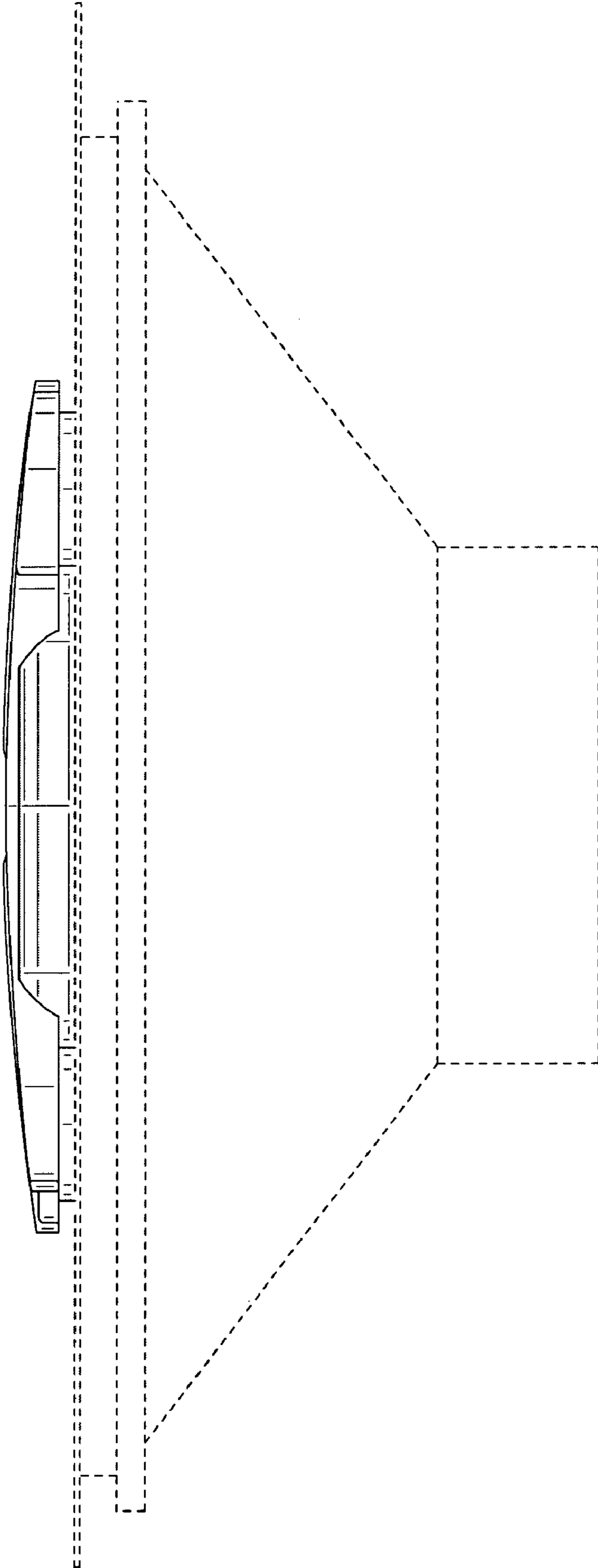


FIG.5

FIG.6



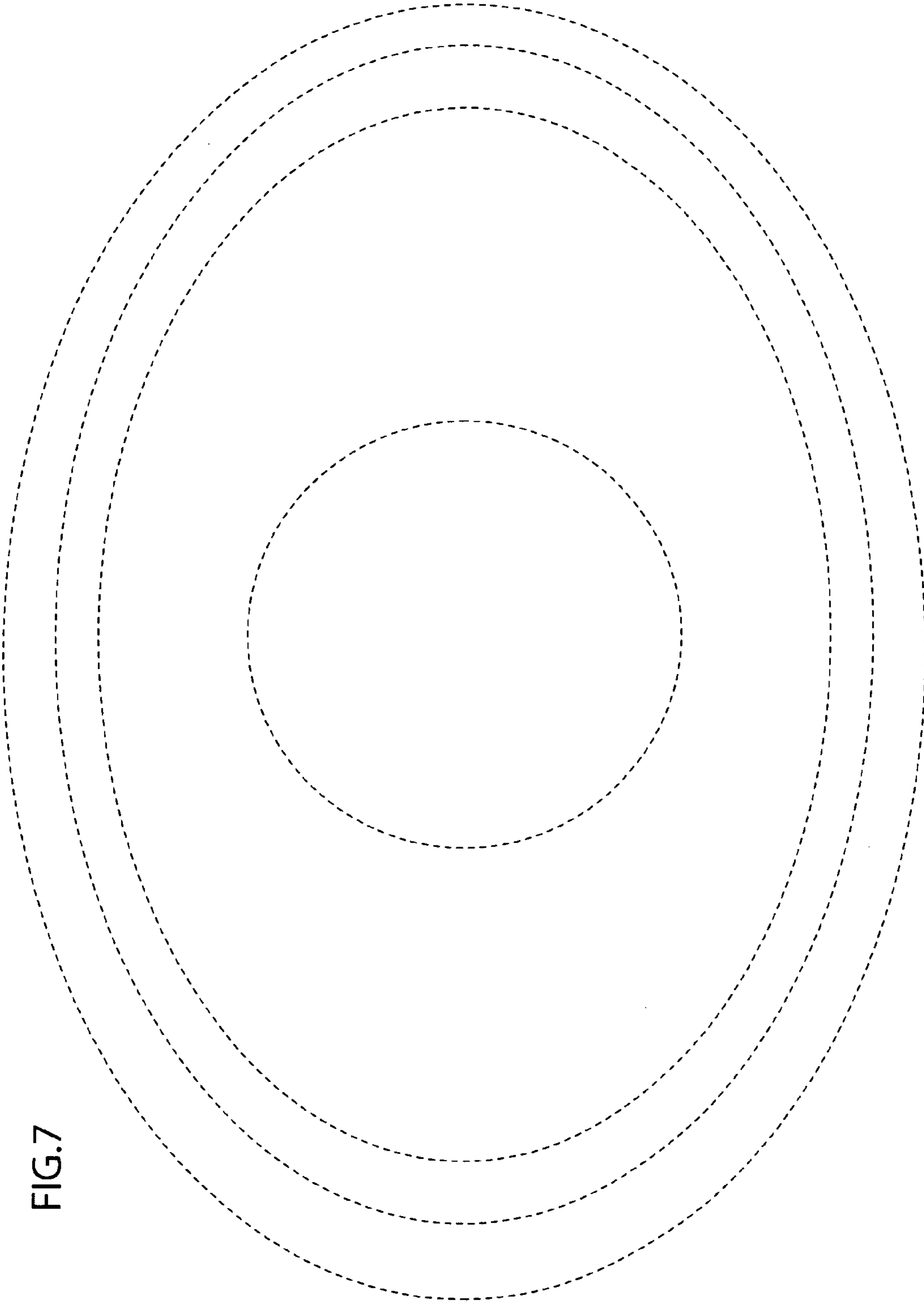


FIG.7