



US00D582391S

(12) **United States Design Patent**
Morimoto

(10) **Patent No.:** **US D582,391 S**

(45) **Date of Patent:** **** Dec. 9, 2008**

(54) **SPEAKER**

(75) Inventor: **Yoshinobu Morimoto**, Hamamatsu (JP)

(73) Assignee: **Roland Corporation**, Hamamatsu (JP)

(**) Term: **14 Years**

(21) Appl. No.: **29/302,510**

(22) Filed: **Jan. 17, 2008**

(51) **LOC (8) Cl.** **14-01**

(52) **U.S. Cl.** **D14/214**

(58) **Field of Classification Search** D14/204,
D14/210–216, 172, 162, 188, 217; 181/143–144,
181/147–148, 150–153, 157, 198–199; 381/300–303,
381/306, 332–333, 336, 345, 361–364, 386–388
See application file for complete search history.

(56) **References Cited**

U.S. PATENT DOCUMENTS

| | | | |
|----------------|--------|--------------------|---------|
| 6,349,792 B1 * | 2/2002 | Smith et al. | 181/156 |
| D470,127 S * | 2/2003 | Inoue et al. | D14/214 |
| D495,012 S * | 8/2004 | Morimoto | D14/188 |
| D538,263 S * | 3/2007 | Yasuda et al. | D14/214 |
| D539,784 S * | 4/2007 | Yasuda et al. | D14/214 |
| D546,814 S * | 7/2007 | Takita et al. | D14/168 |

* cited by examiner

Primary Examiner—Nanda Bondade
(74) *Attorney, Agent, or Firm*—Foley & Lardner LLP

(57) **CLAIM**

We claim the ornamental design for a speaker, as shown and described.

DESCRIPTION

FIG. 1 is a front view of the speaker according to the claimed design;

FIG. 2 is a rear view of the speaker according to the claimed design;

FIG. 3 is a left view of the speaker according to the claimed design;

FIG. 4 is a right view of the speaker according to the claimed design;

FIG. 5 is a top view of the speaker according to the claimed design;

FIG. 6 is a bottom view of the speaker according to the claimed design; and,

FIG. 7 is a front, left side perspective view of the speaker according to the claimed design.

The broken line showing on the drawing disclosure is for illustrative purposes only and forms no part of the claimed design.

1 Claim, 4 Drawing Sheets

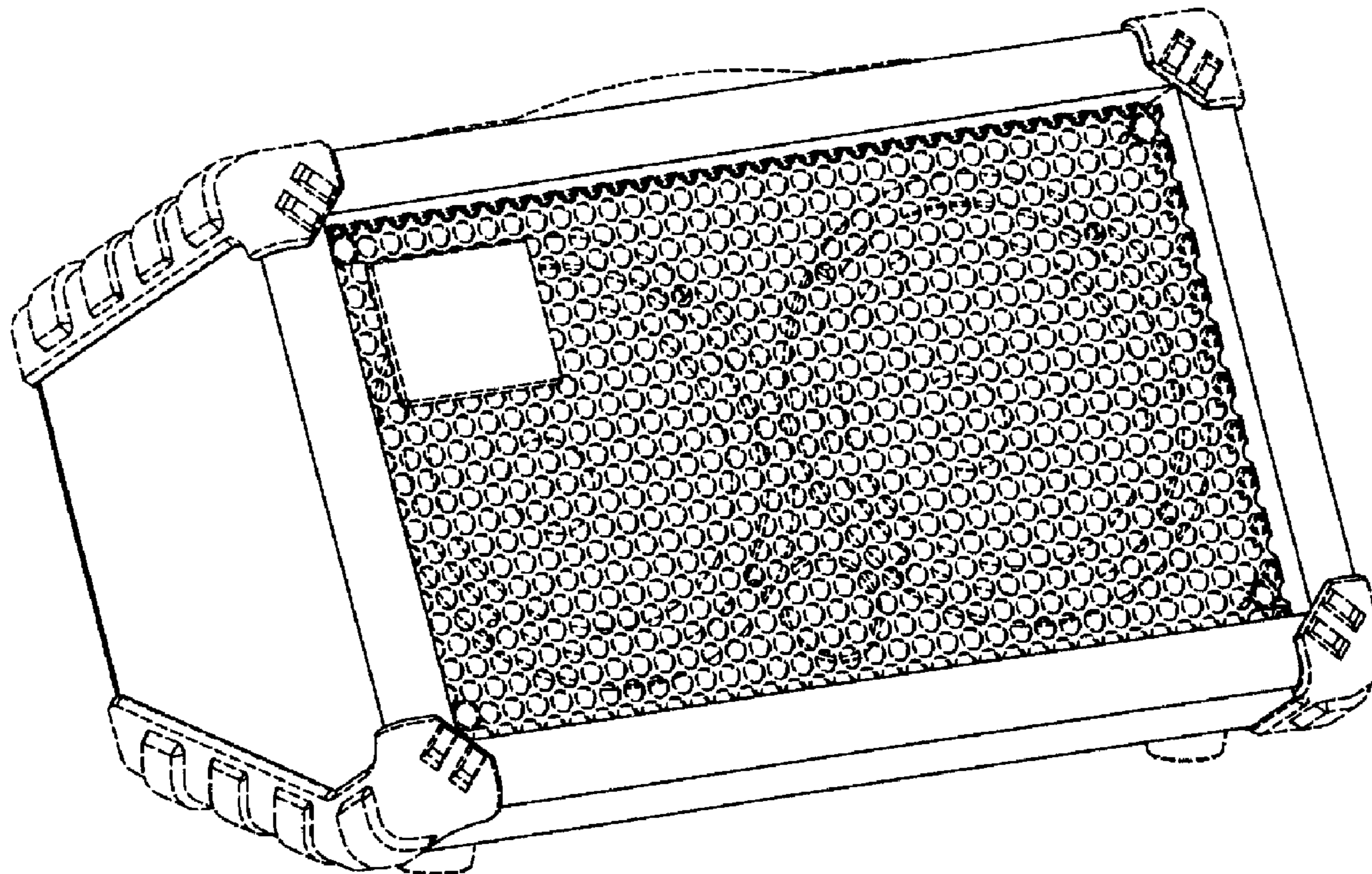


FIGURE 1

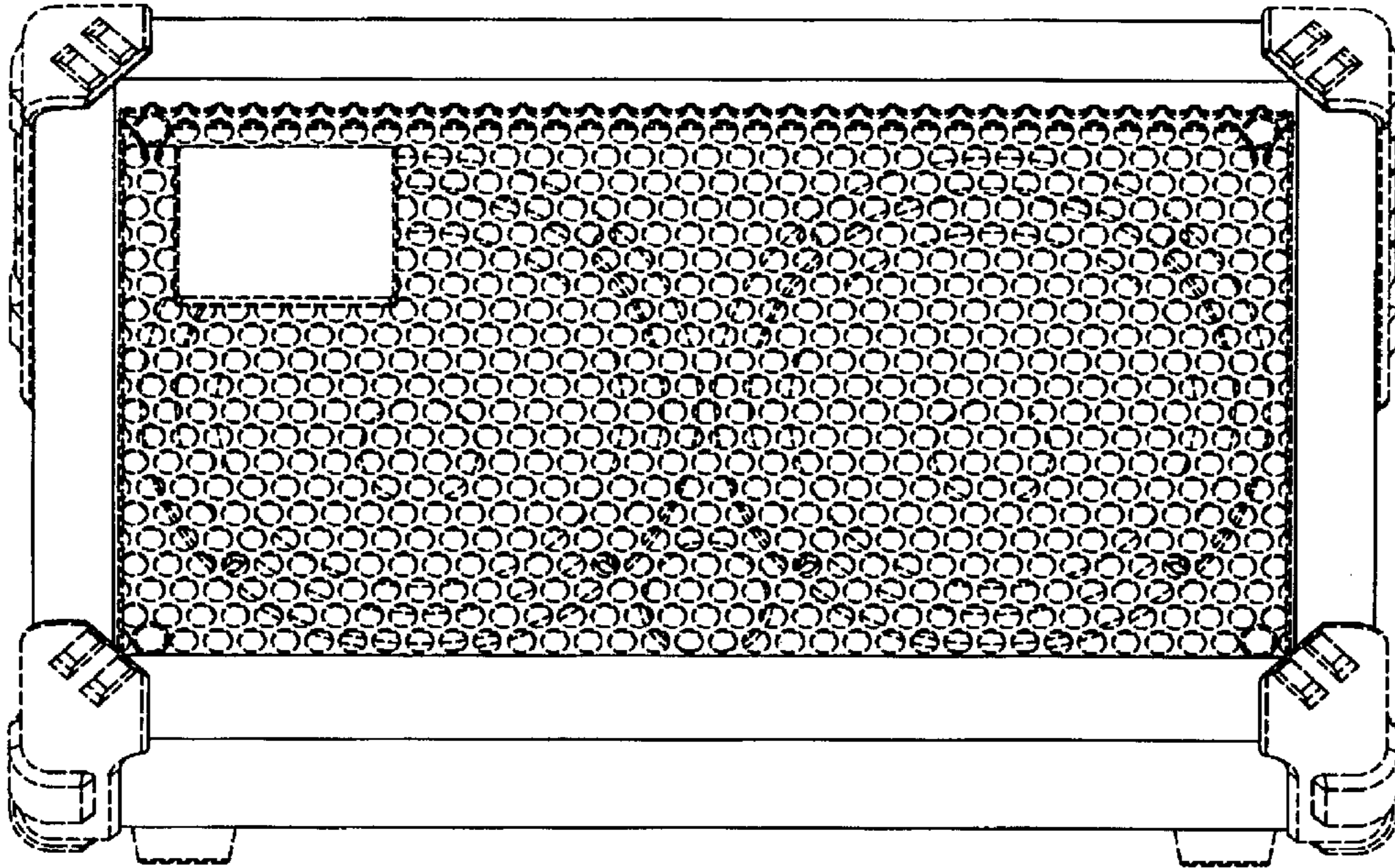


FIGURE 2

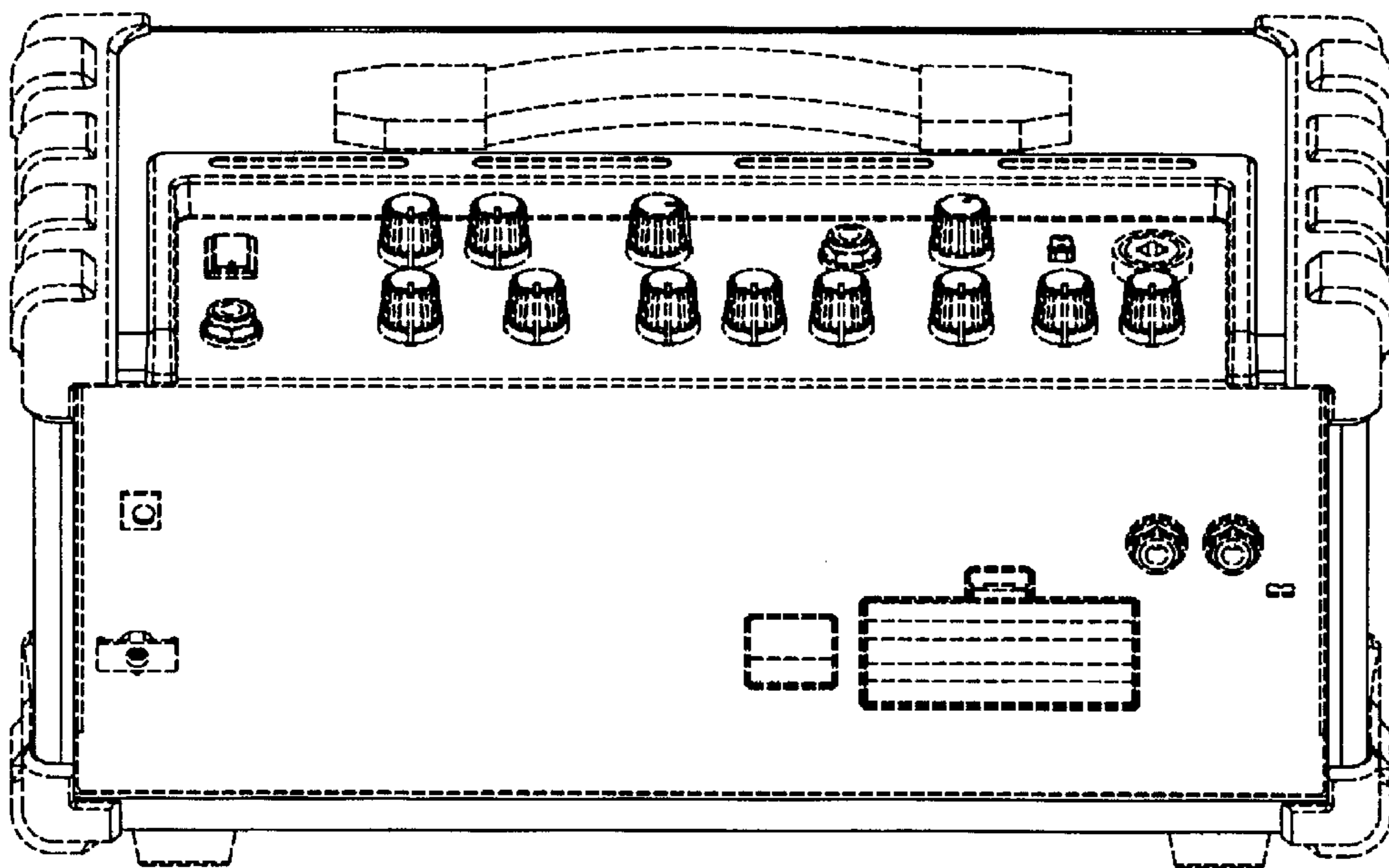


FIGURE 3

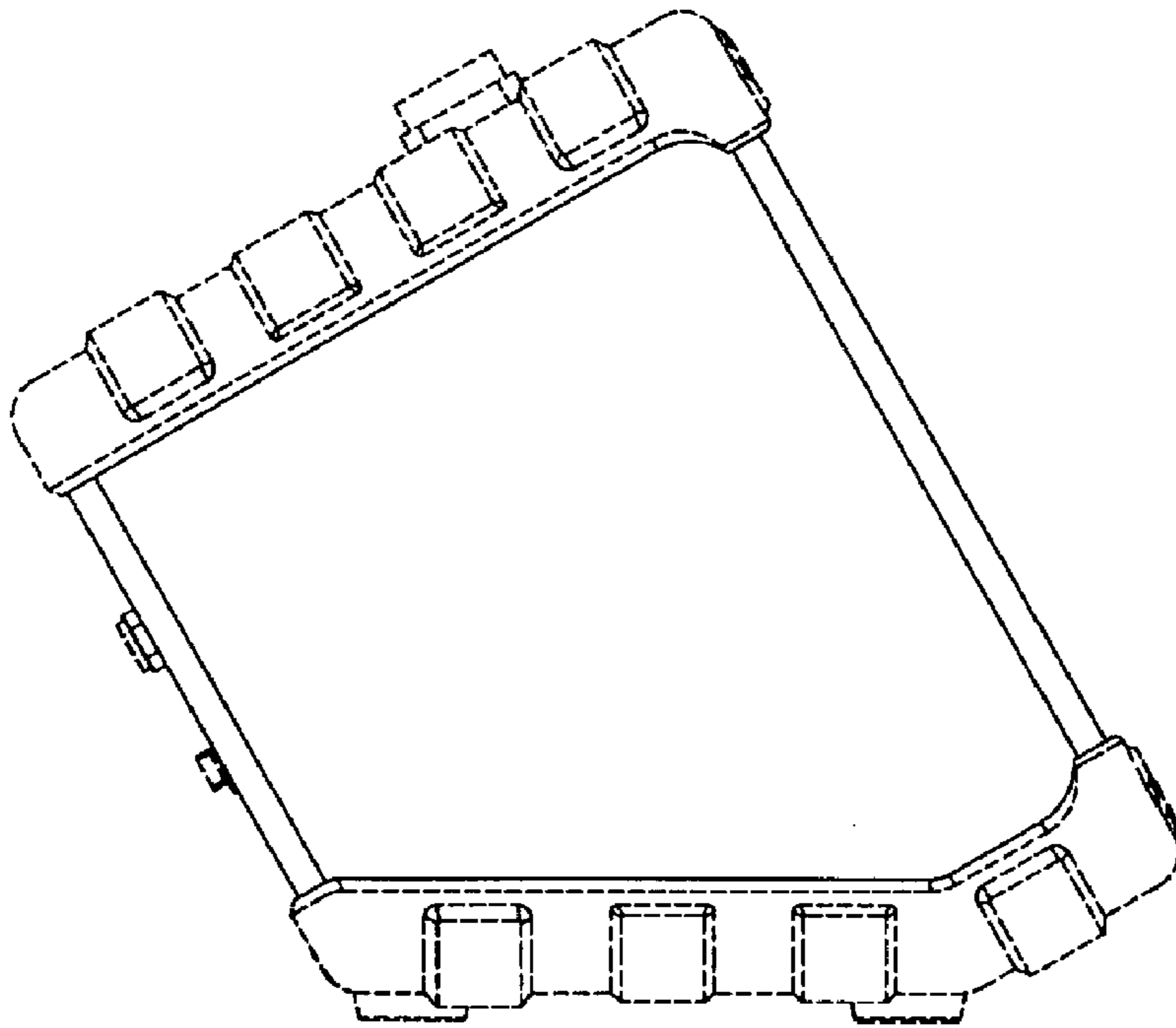


FIGURE 4

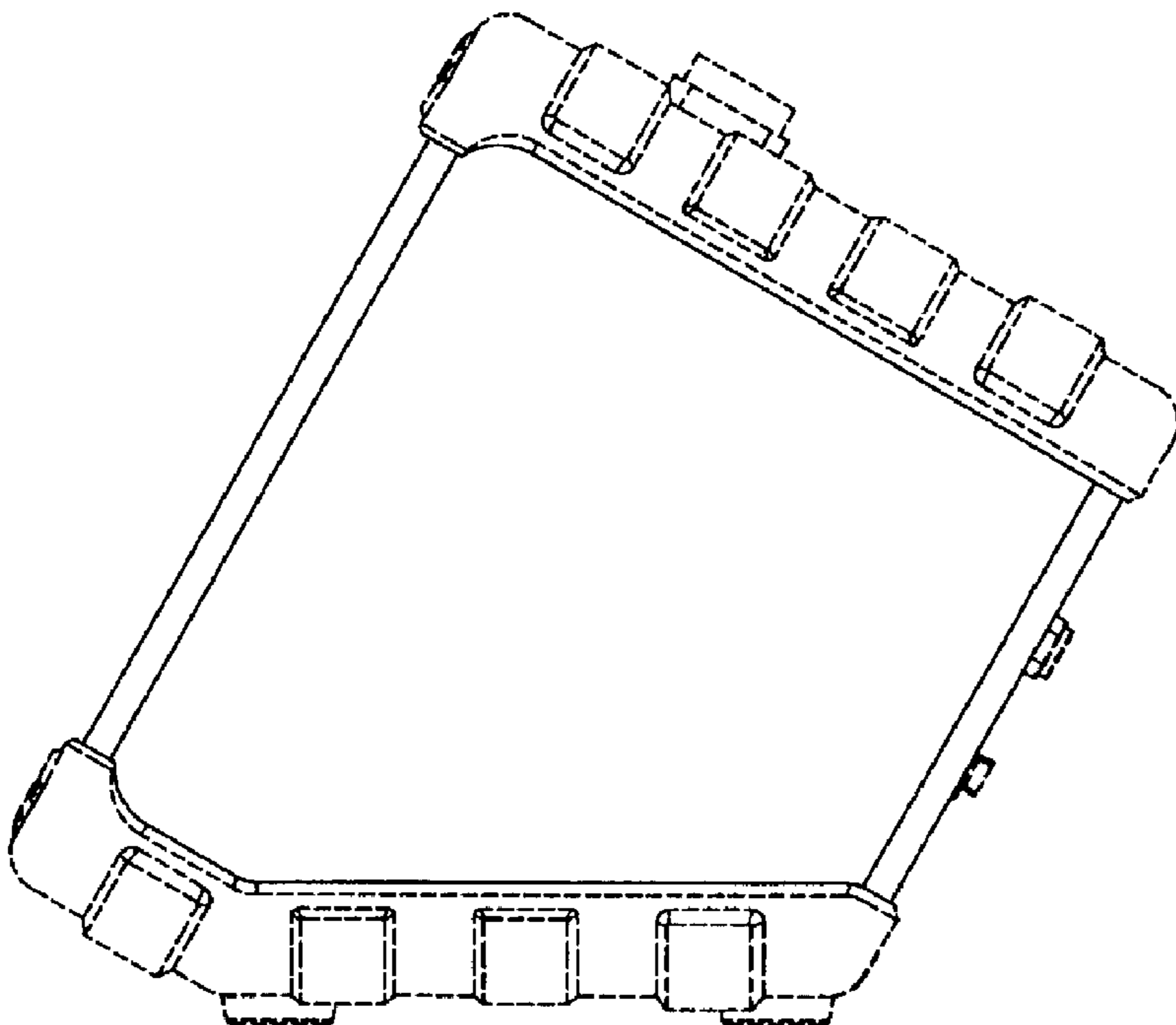


FIGURE 5

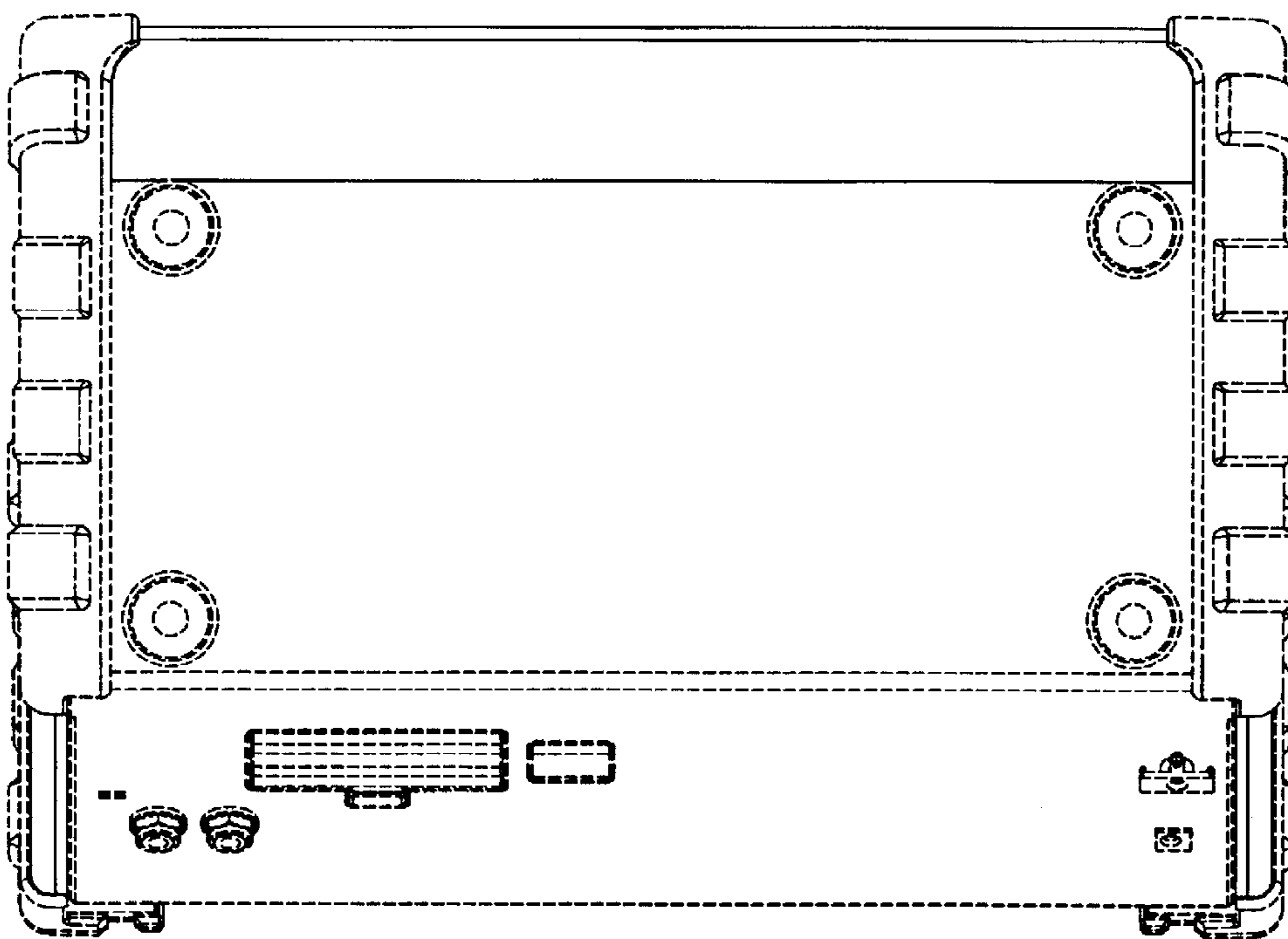
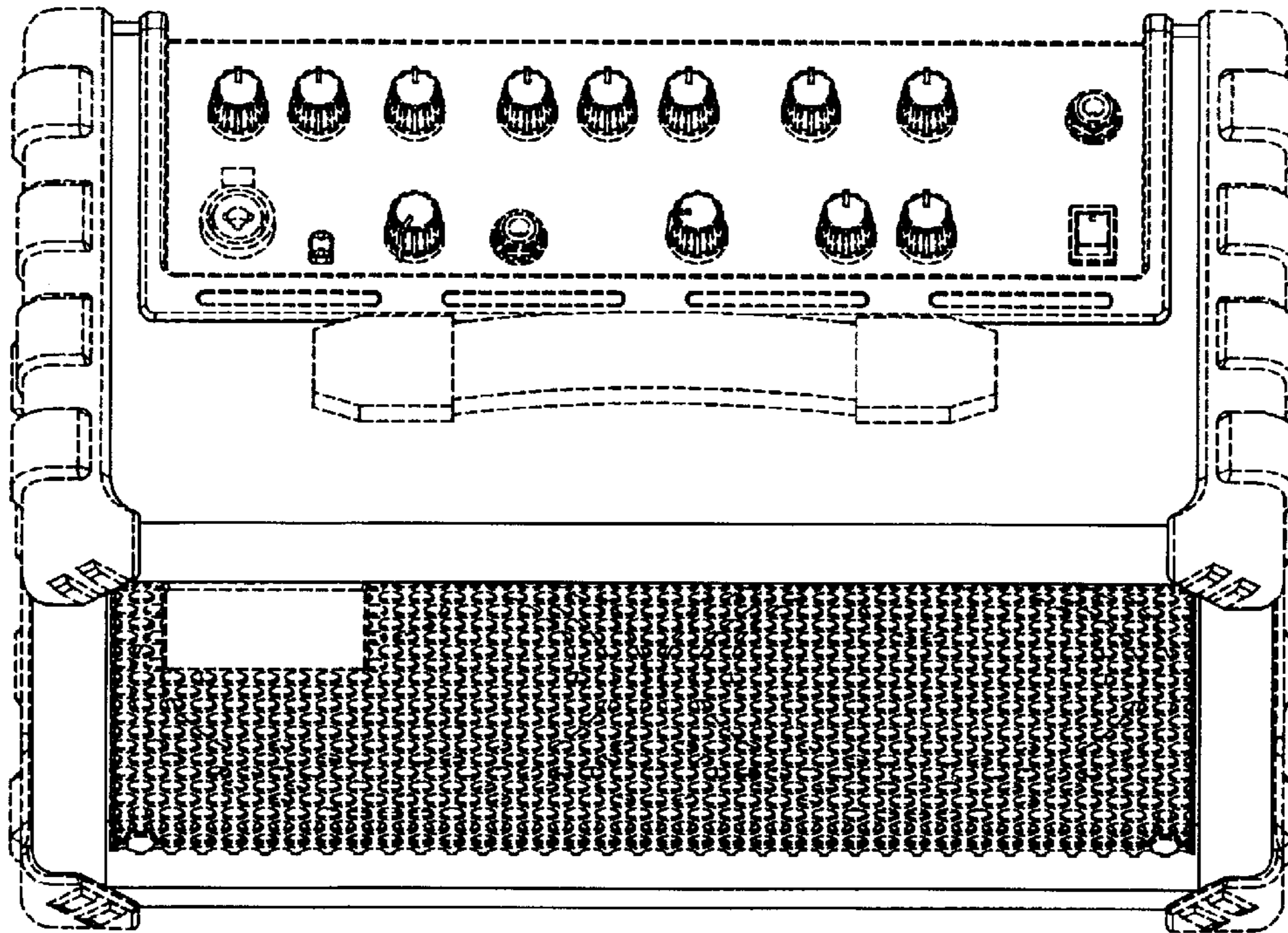


FIGURE 6

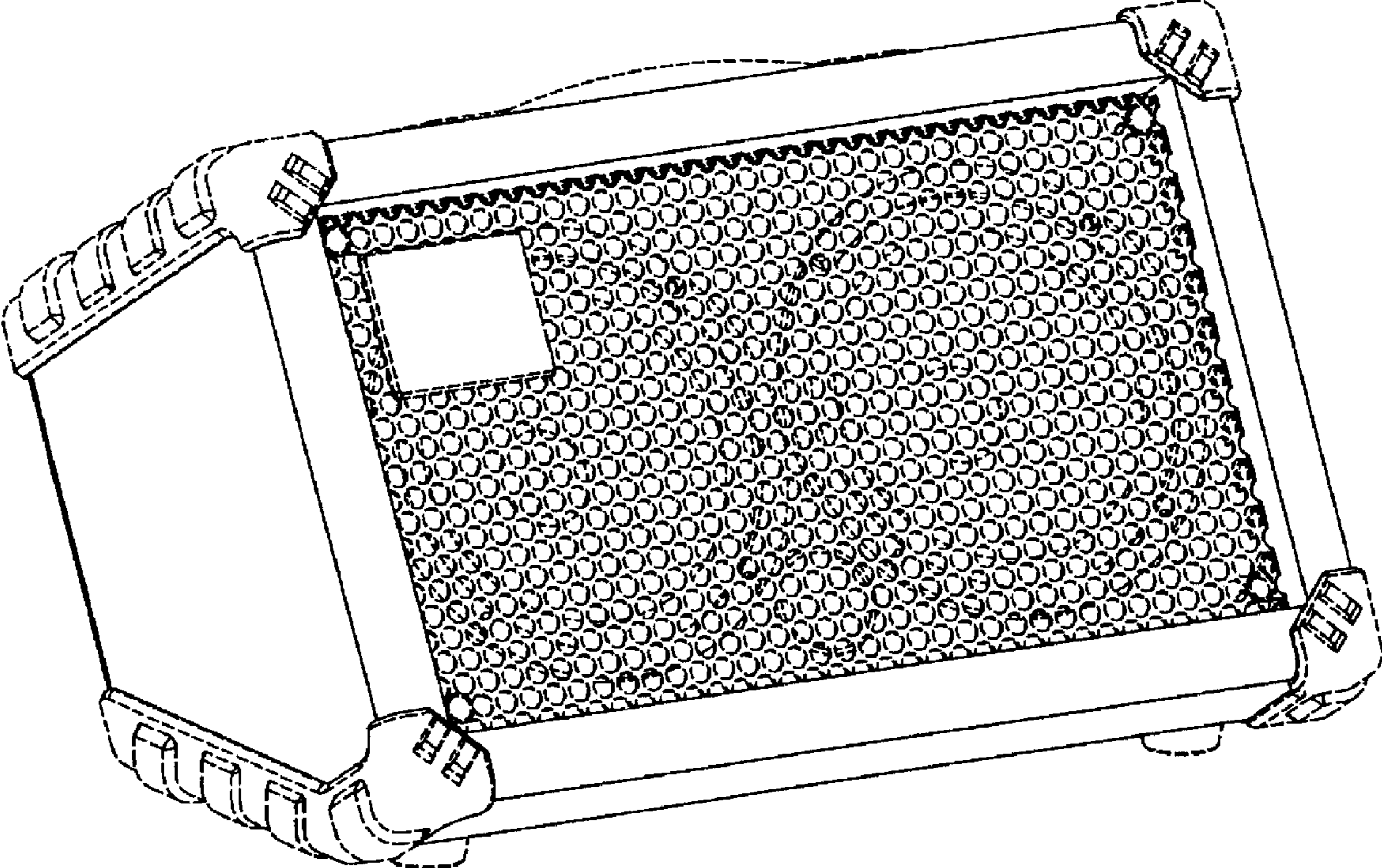


FIGURE 7