



US00D582386S

(12) **United States Design Patent**
Lewis

(10) **Patent No.:** **US D582,386 S**
(45) **Date of Patent:** **** Dec. 9, 2008**

(54) **LOUDSPEAKER**

D505,940 S * 6/2005 Yao D14/215
D542,243 S 5/2007 Lewis
D543,536 S * 5/2007 Hall D14/215

(75) Inventor: **David Lewis**, Copenhagen (DK)

(73) Assignee: **Bang & Olufsen A/S**, Struer (DK)

(**) Term: **14 Years**

(21) Appl. No.: **29/294,863**

(22) Filed: **Jan. 30, 2008**

(30) **Foreign Application Priority Data**

Aug. 30, 2007 (DK) DA 2007 00208

(51) **LOC (8) Cl.** **14-01**

(52) **U.S. Cl.** **D14/204; D14/207**

(58) **Field of Classification Search** D14/204,
D14/207, 210-216, 168, 172; 181/143-144,
181/147-148, 150-153, 157, 198-199; 381/300-303,
381/306, 332-333, 336, 345, 361-364, 386-388
See application file for complete search history.

(56) **References Cited**

U.S. PATENT DOCUMENTS

2,955,669 A * 10/1960 Rice 181/199
D314,575 S * 2/1991 Wegner D14/210
D466,885 S * 12/2002 MacFarlane et al. D14/204

* cited by examiner

Primary Examiner—Nanda Bondade

(74) *Attorney, Agent, or Firm*—Buchanan Ingersoll & Rooney PC

(57) **CLAIM**

The ornamental design for a loudspeaker, as shown and described.

DESCRIPTION

FIG. 1 is a front, side perspective view of a loudspeaker showing my new design;

FIG. 2 is a rear, side perspective view thereof;

FIG. 3 is a front elevational view thereof;

FIG. 4 is a rear elevational view thereof;

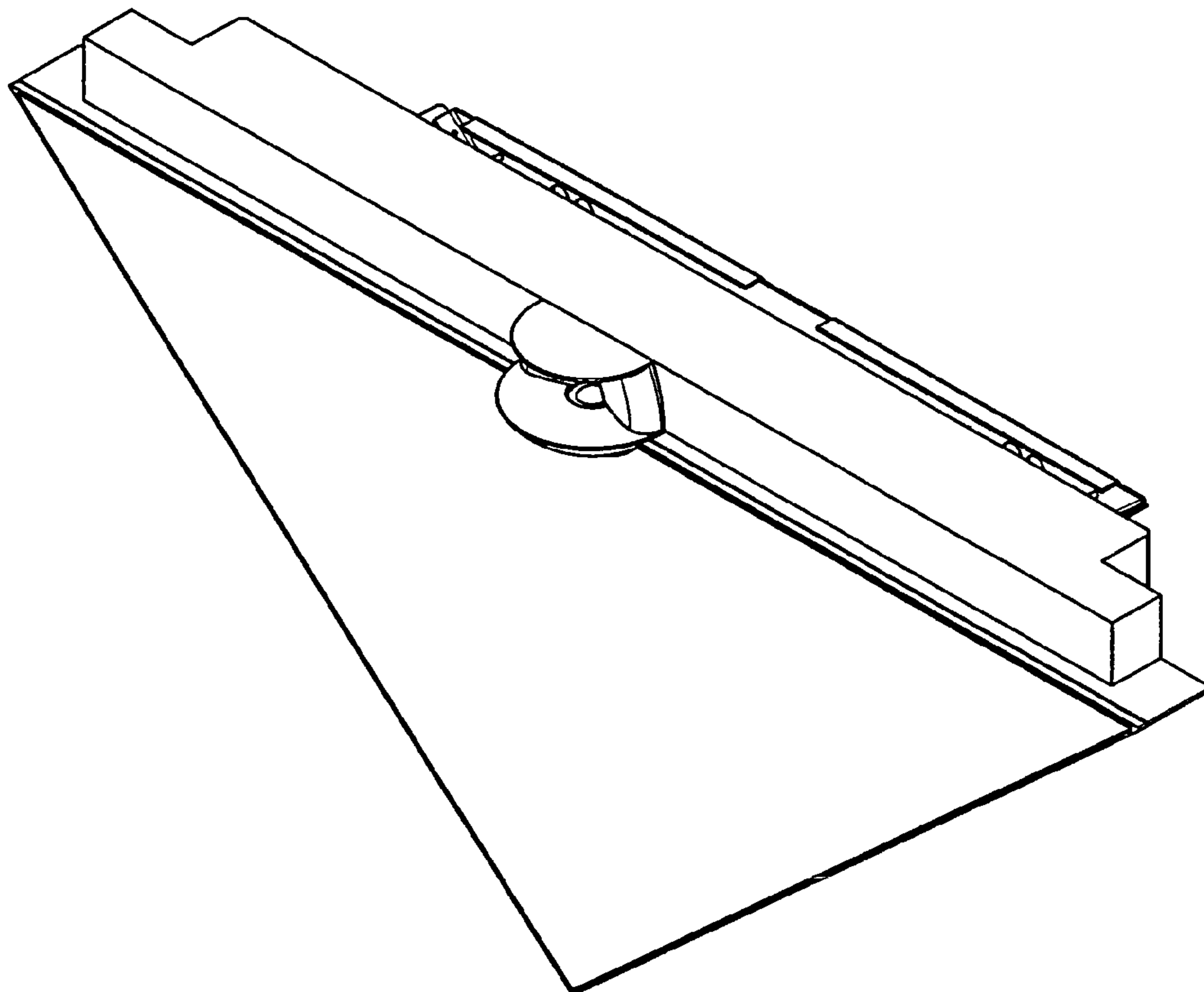
FIG. 5 is a top plan view thereof;

FIG. 6 is a bottom plan view thereof;

FIG. 7 is a right side elevational view thereof; and,

FIG. 8 is a left side elevational view thereof.

1 Claim, 8 Drawing Sheets



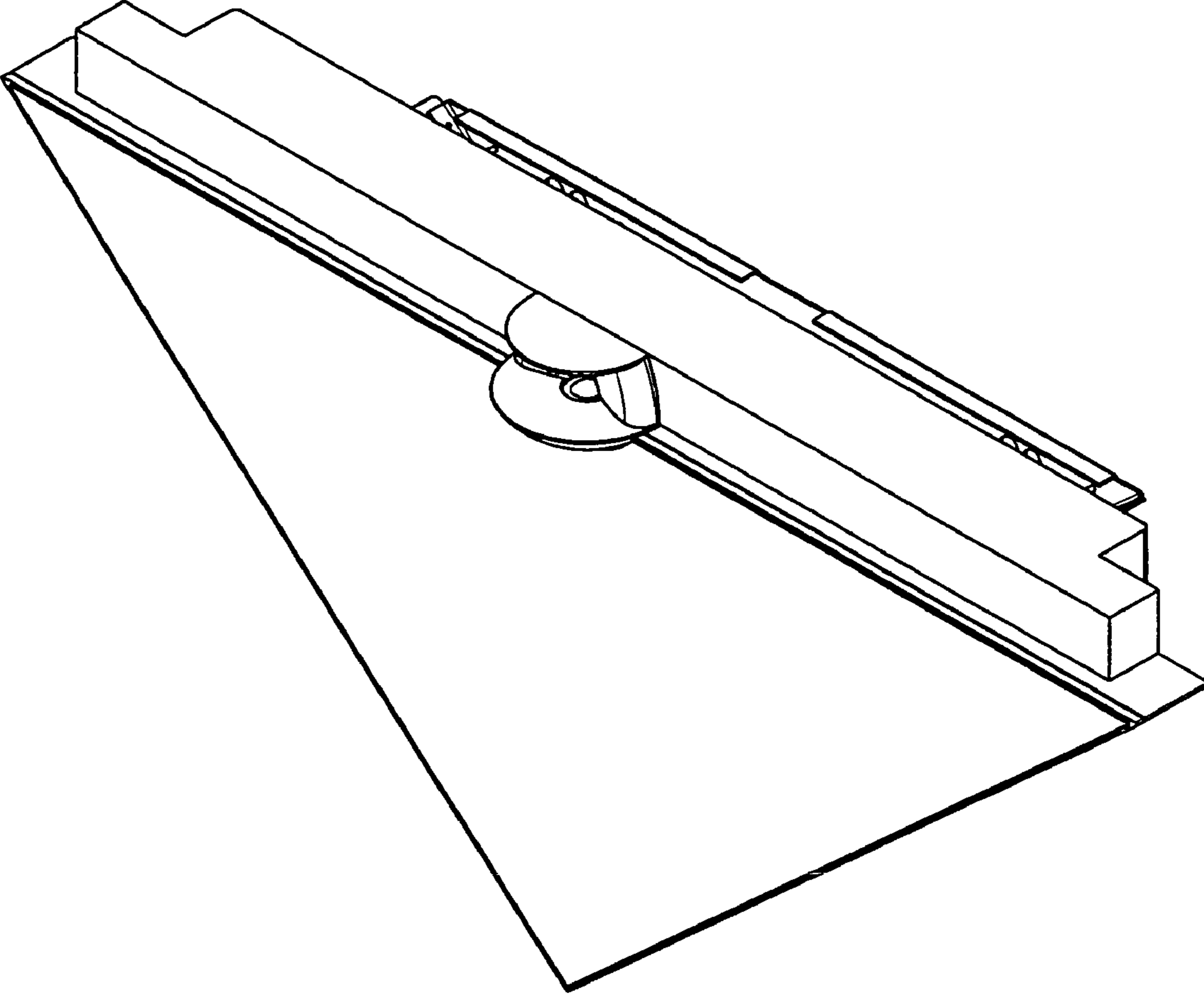


Fig. 1

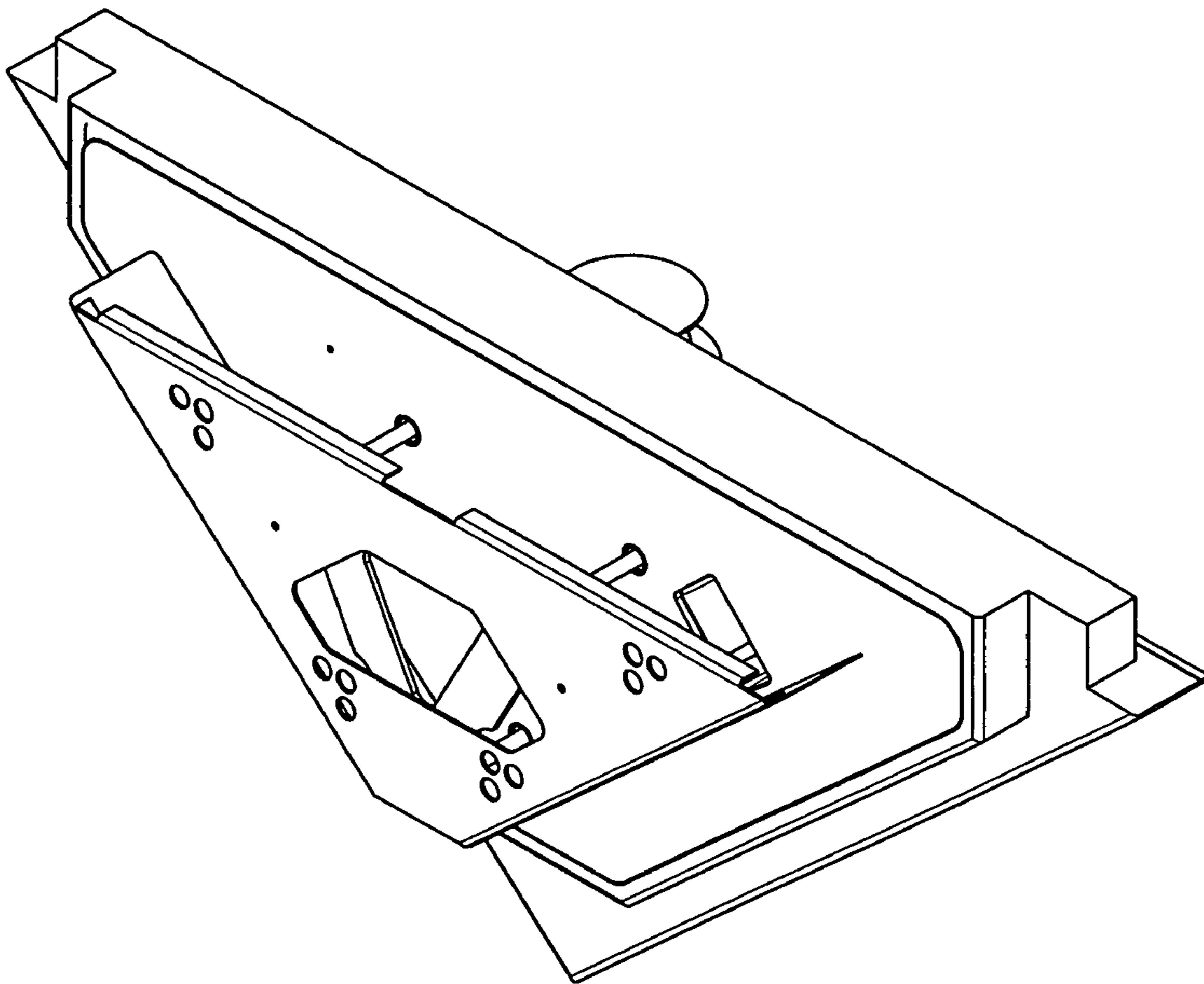


Fig. 2

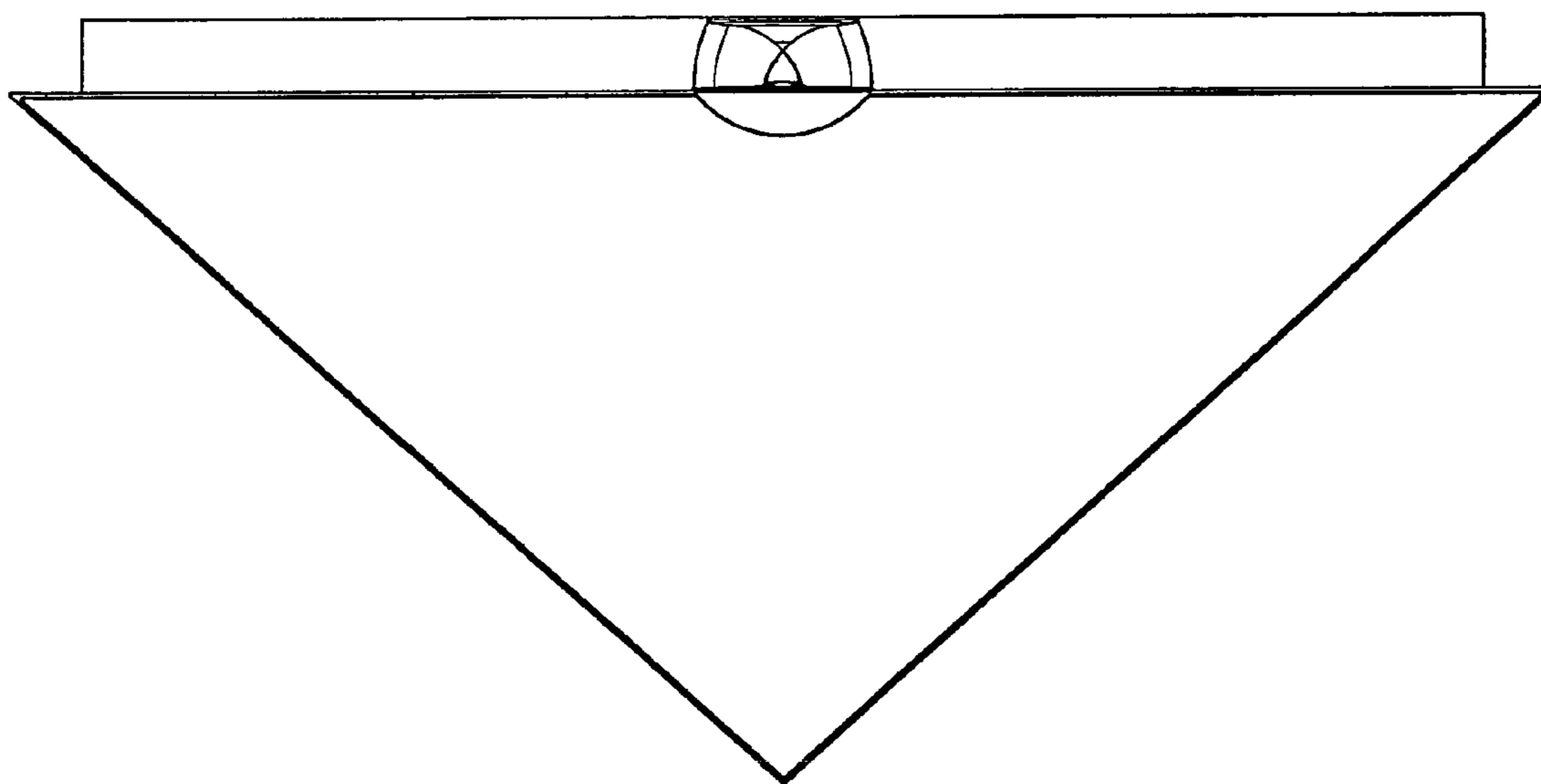


Fig. 3

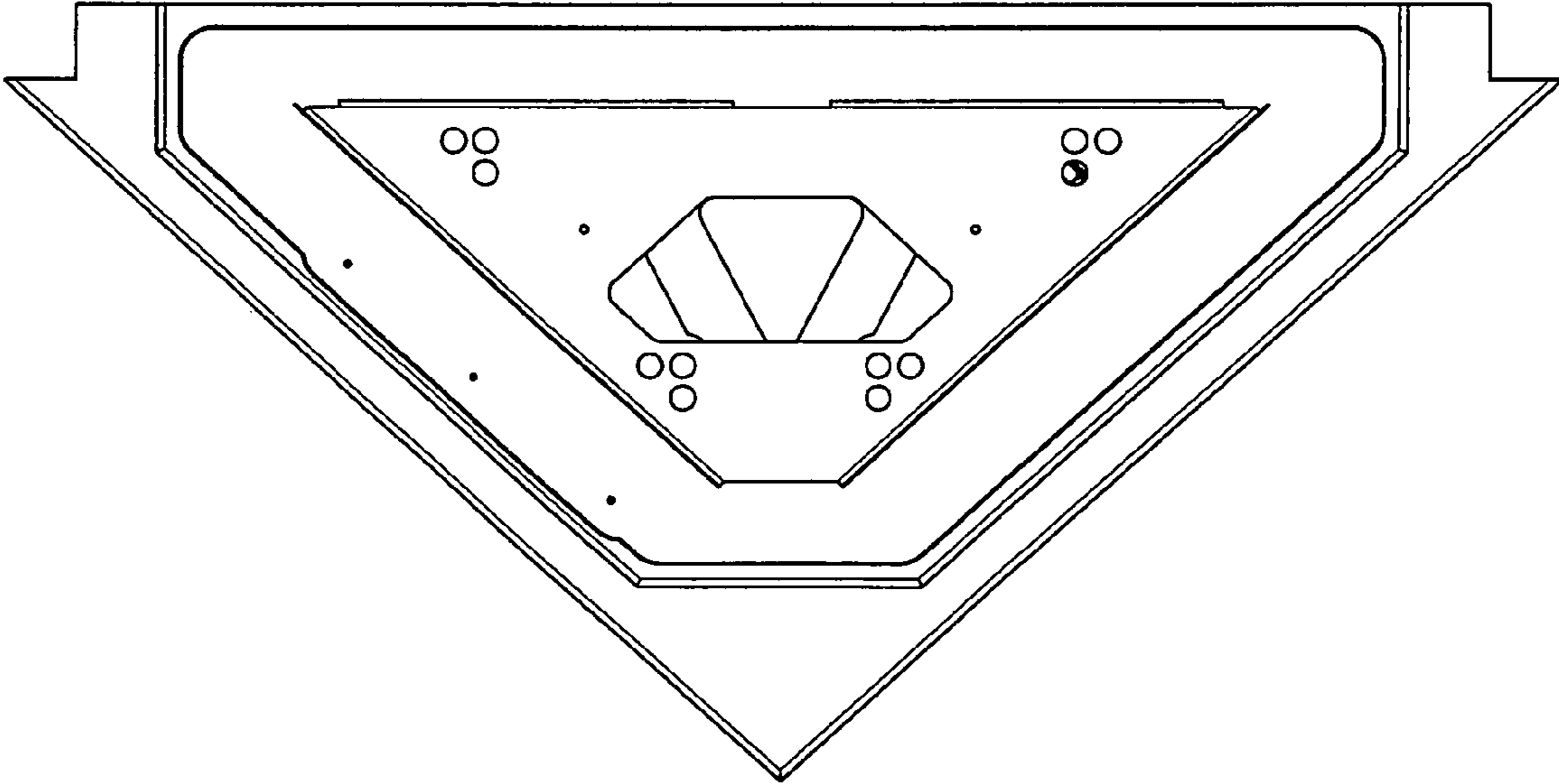


Fig. 4

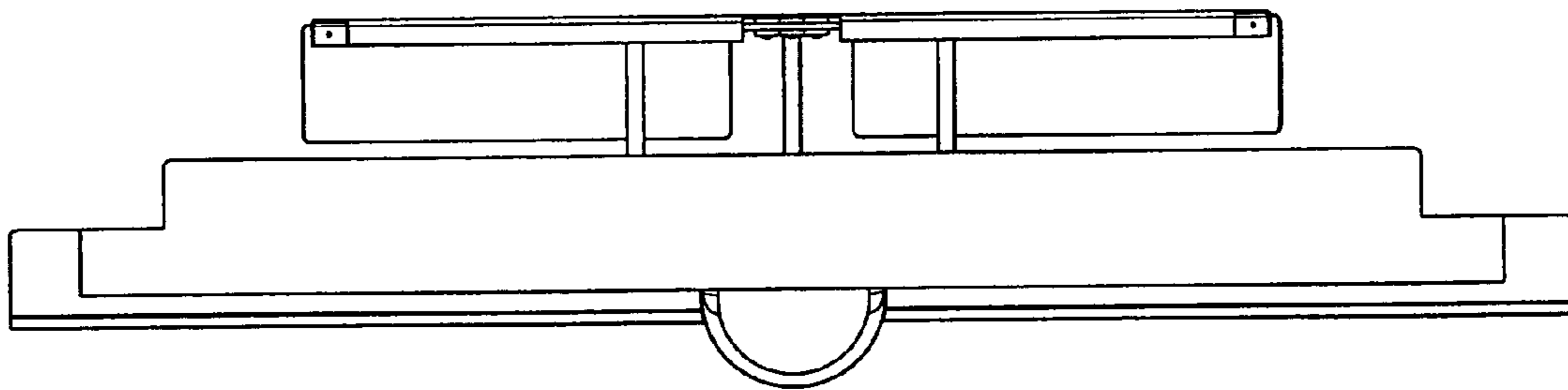


Fig. 5

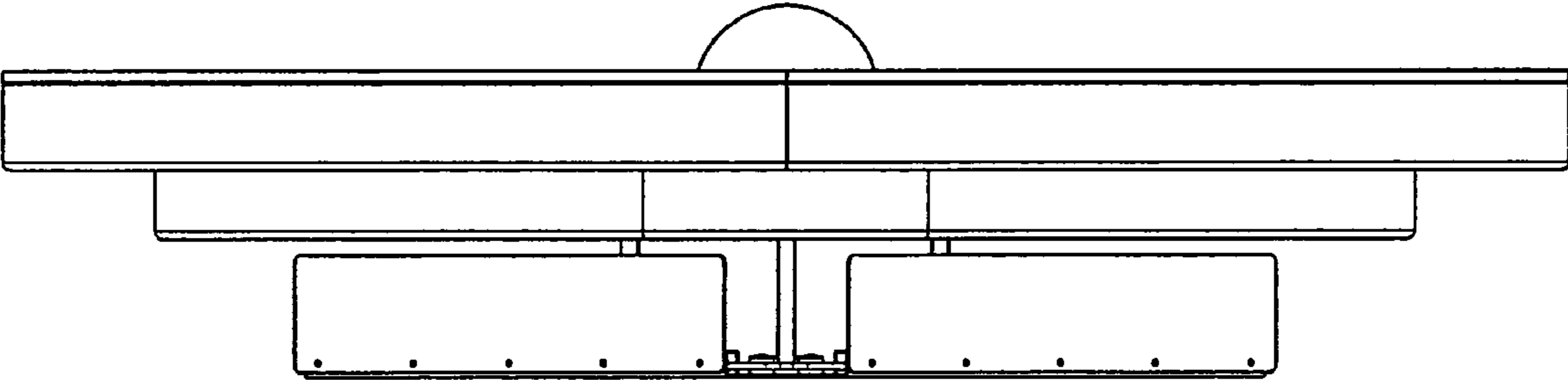


Fig. 6

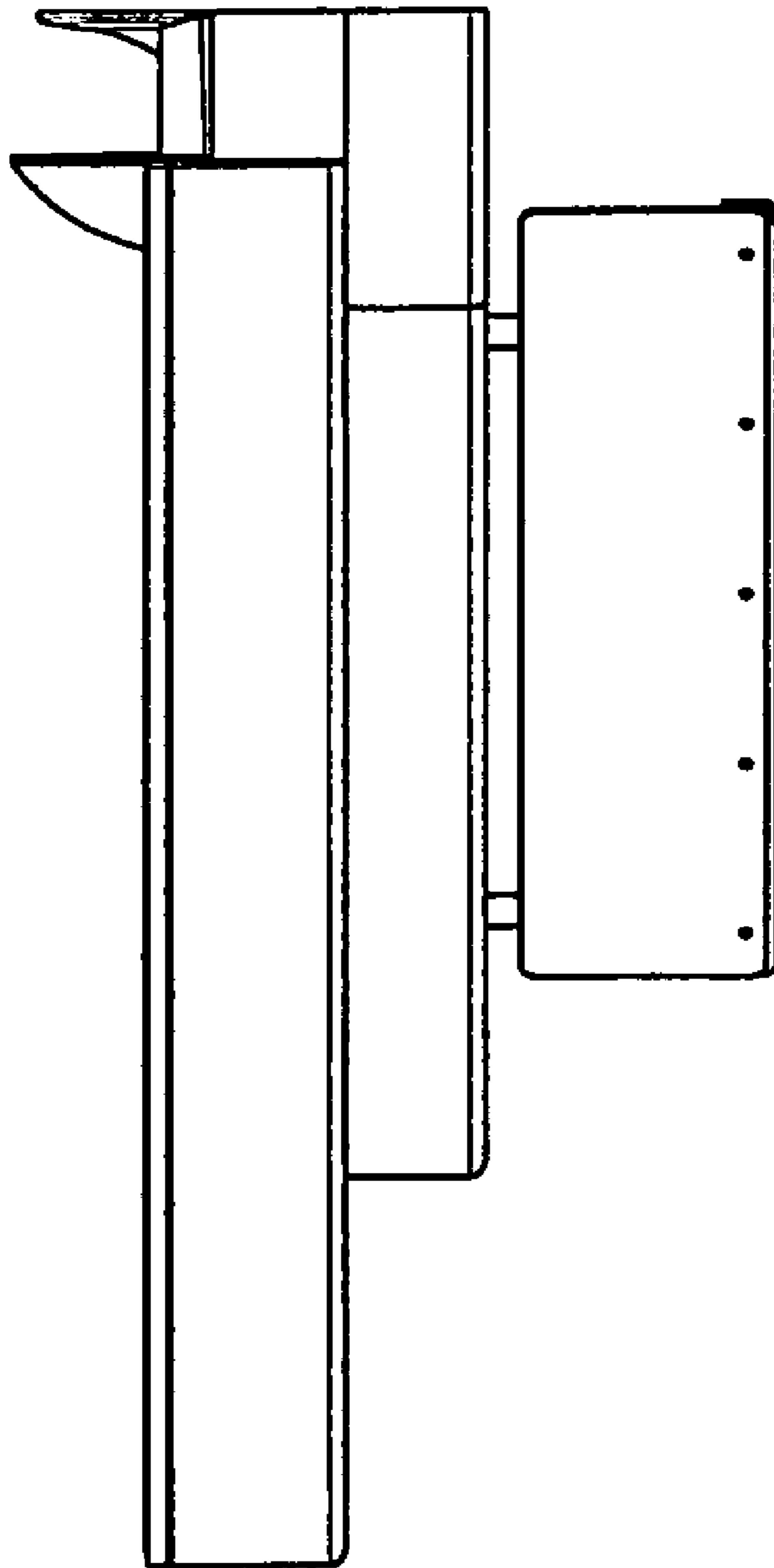


Fig. 7

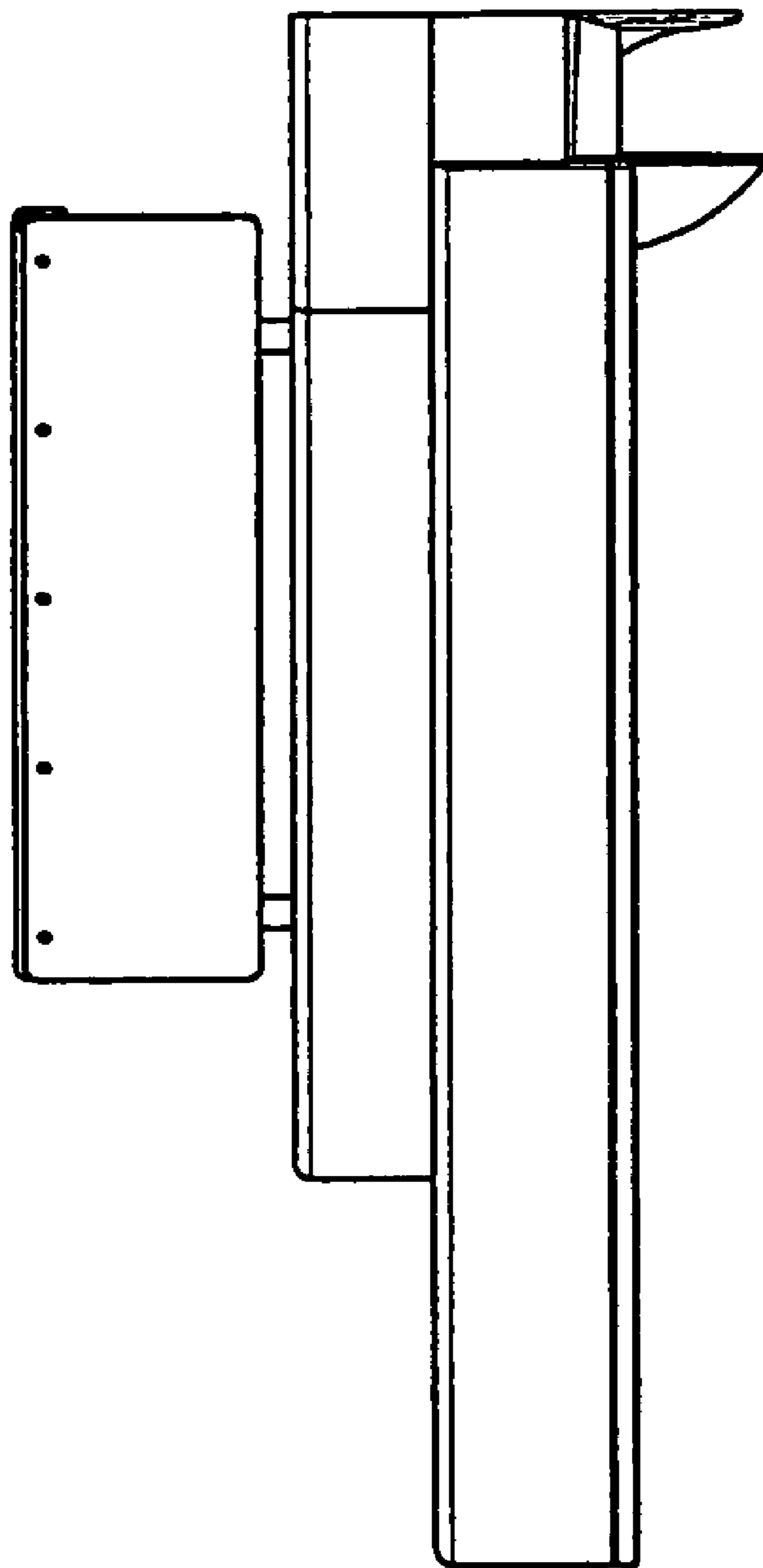


Fig. 8