



US00D582385S

(12) **United States Design Patent**  
**Sanguinetti**

(10) **Patent No.:** **US D582,385 S**  
(45) **Date of Patent:** **\*\* Dec. 9, 2008**

(54) **PORTABLE WIRELESS RECEIVER**

(75) Inventor: **Alejandro Sanguinetti**, Helsinki (FI)

(73) Assignee: **Nokia Corporation**, Espoo (FI)

(\*\*) Term: **14 Years**

(21) Appl. No.: **29/317,214**

(22) Filed: **Apr. 24, 2008**

(51) **LOC (8) Cl.** ..... **14-03**

(52) **U.S. Cl.** ..... **D14/188; D14/126**

(58) **Field of Classification Search** ..... D14/126,  
D14/137, 138, 155, 160-171, 188, 189, 194,  
D14/197, 198, 204, 207, 214, 217, 265, 299,  
D14/336, 356, 371, 374, 496; D10/2, 65;  
345/156-158; 369/6-12; 370/342-344;  
455/90.1-90.3, 344-355, 899

See application file for complete search history.

(56) **References Cited**

**U.S. PATENT DOCUMENTS**

D302,014 S *	7/1989	Ohzu	.....	D14/188
D339,349 S *	9/1993	Hayasaka et al.	.....	D14/191
D372,242 S *	7/1996	Crane	.....	D14/197
D381,022 S *	7/1997	Tattari	.....	D14/191
D411,206 S *	6/1999	Richter	.....	D14/253
D421,013 S *	2/2000	Isonaga	.....	D14/191
D459,355 S *	6/2002	Shimoda et al.	.....	D14/436
D529,045 S *	9/2006	Shin	.....	D14/496

D530,325 S *	10/2006	Kerila et al.	.....	D14/356
D535,974 S *	1/2007	Alwicker et al.	.....	D14/188
D536,692 S *	2/2007	Alwicker et al.	.....	D14/188
D569,457 S *	5/2008	Hanoun	.....	D21/696

\* cited by examiner

*Primary Examiner*—Stella M Reid

*Assistant Examiner*—Keli L Acker

(74) *Attorney, Agent, or Firm*—Banner & Witcoff, Ltd.

(57) **CLAIM**

The ornamental design for a portable wireless receiver, as shown and described.

**DESCRIPTION**

FIG. 1 is a front perspective view of a portable wireless receiver showing my new design;

FIG. 2 is a rear perspective view thereof;

FIG. 3 is a front view thereof;

FIG. 4 is a right side view thereof;

FIG. 5 is a left side view thereof;

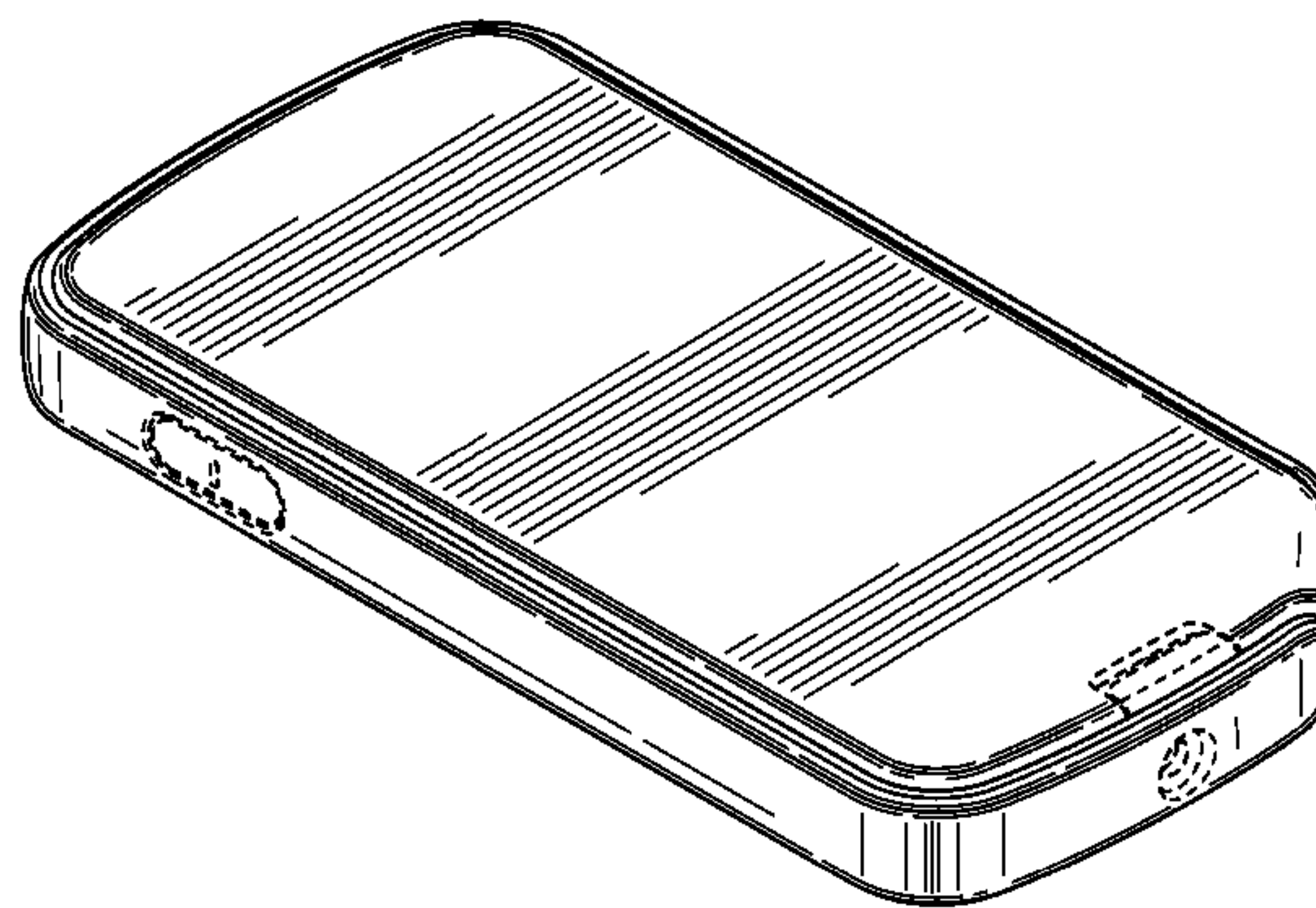
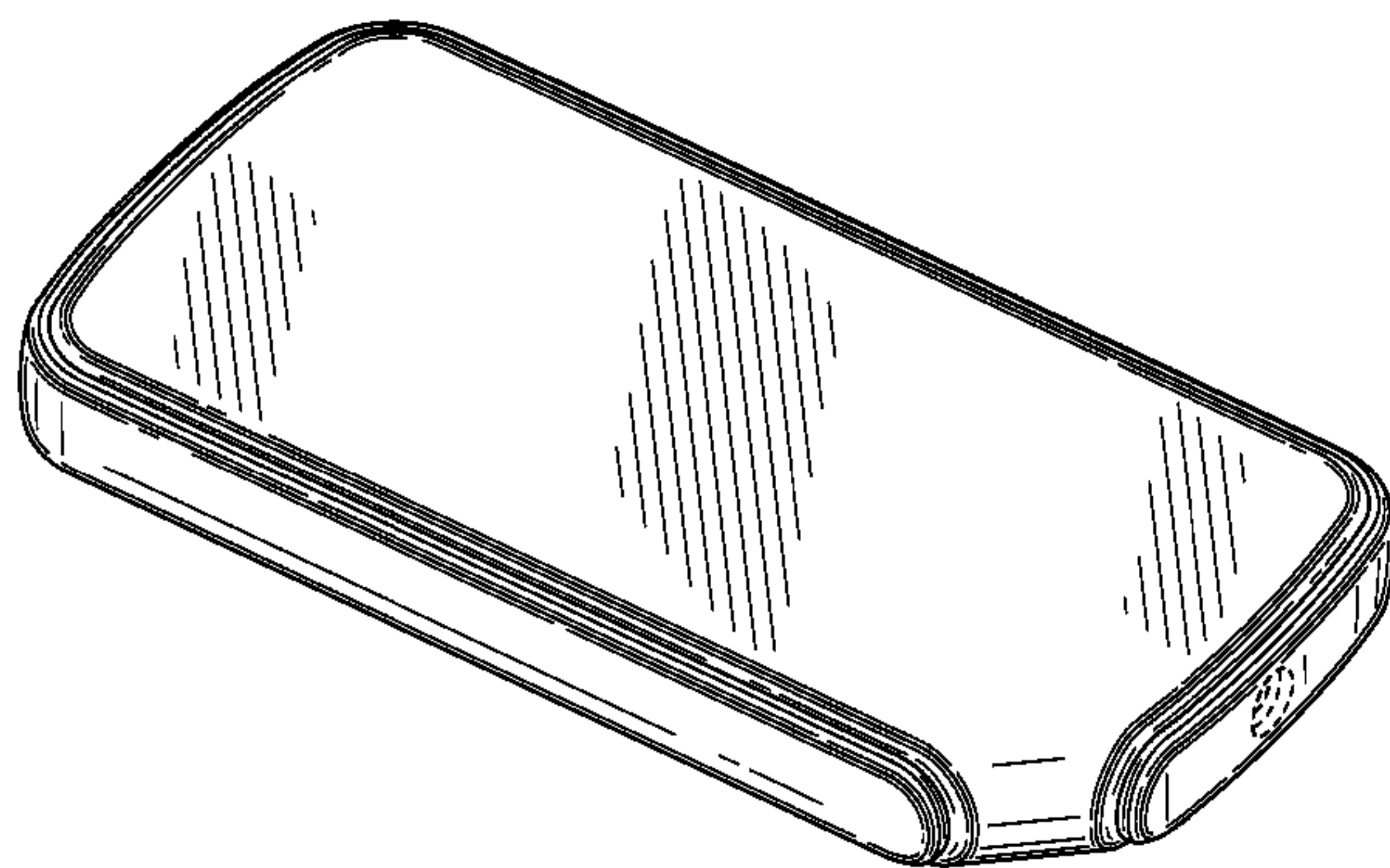
FIG. 6 is a top view thereof;

FIG. 7 is a bottom view thereof; and,

FIG. 8 is a rear view thereof.

The broken lines shown on the portable wireless receiver are for illustrative purposes only and form no part of the claimed design.

**1 Claim, 5 Drawing Sheets**



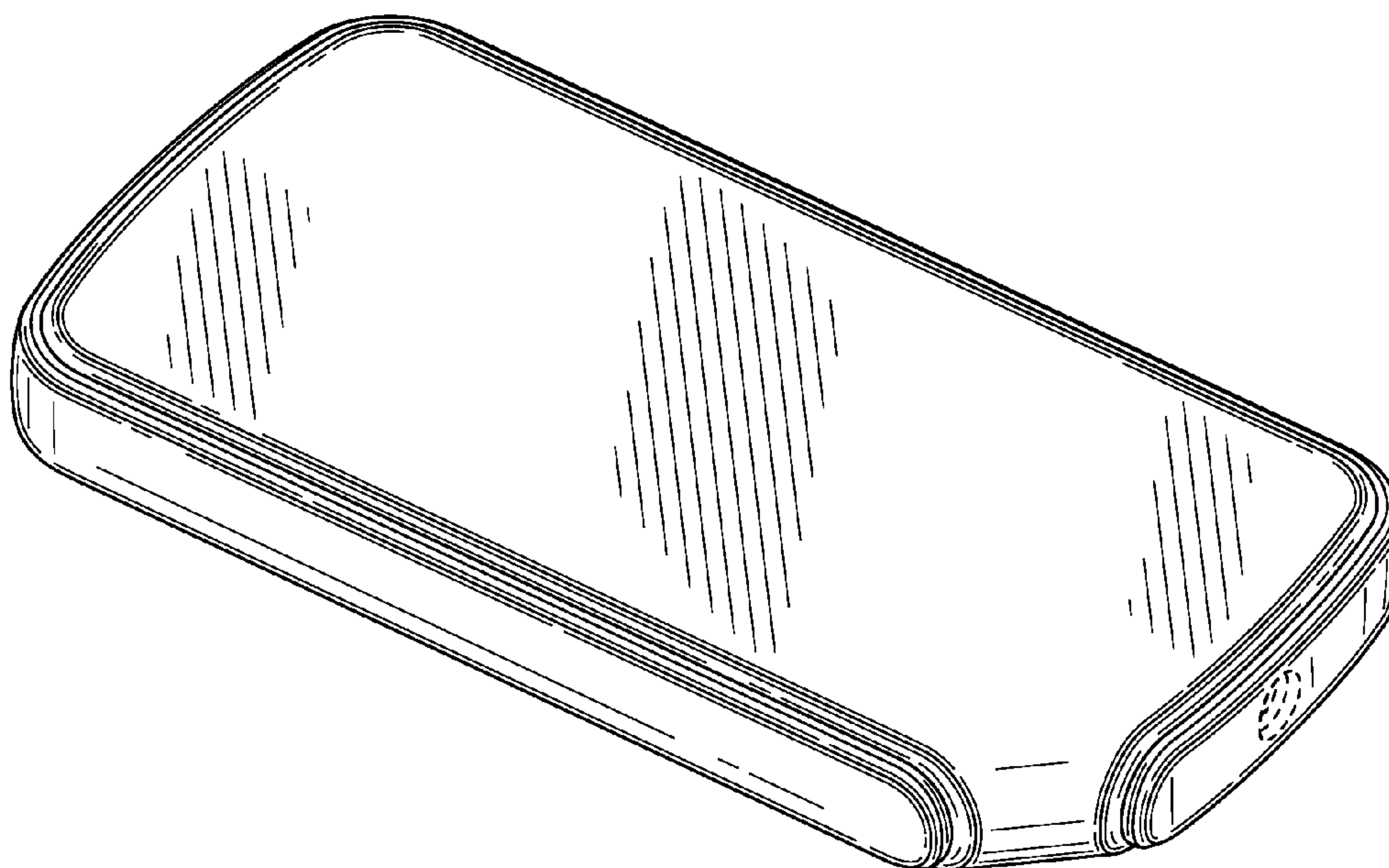


FIG. 1

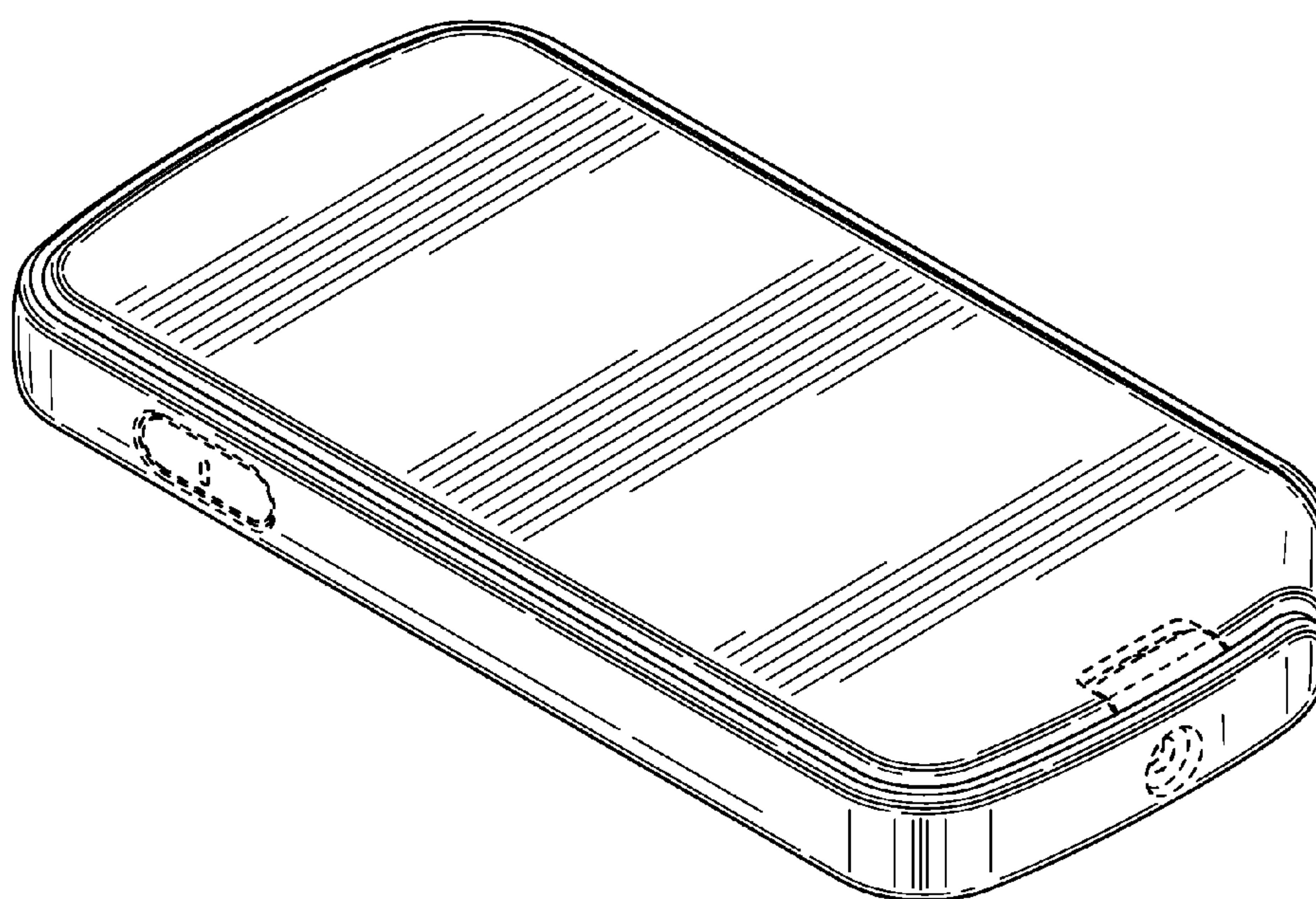


FIG. 2

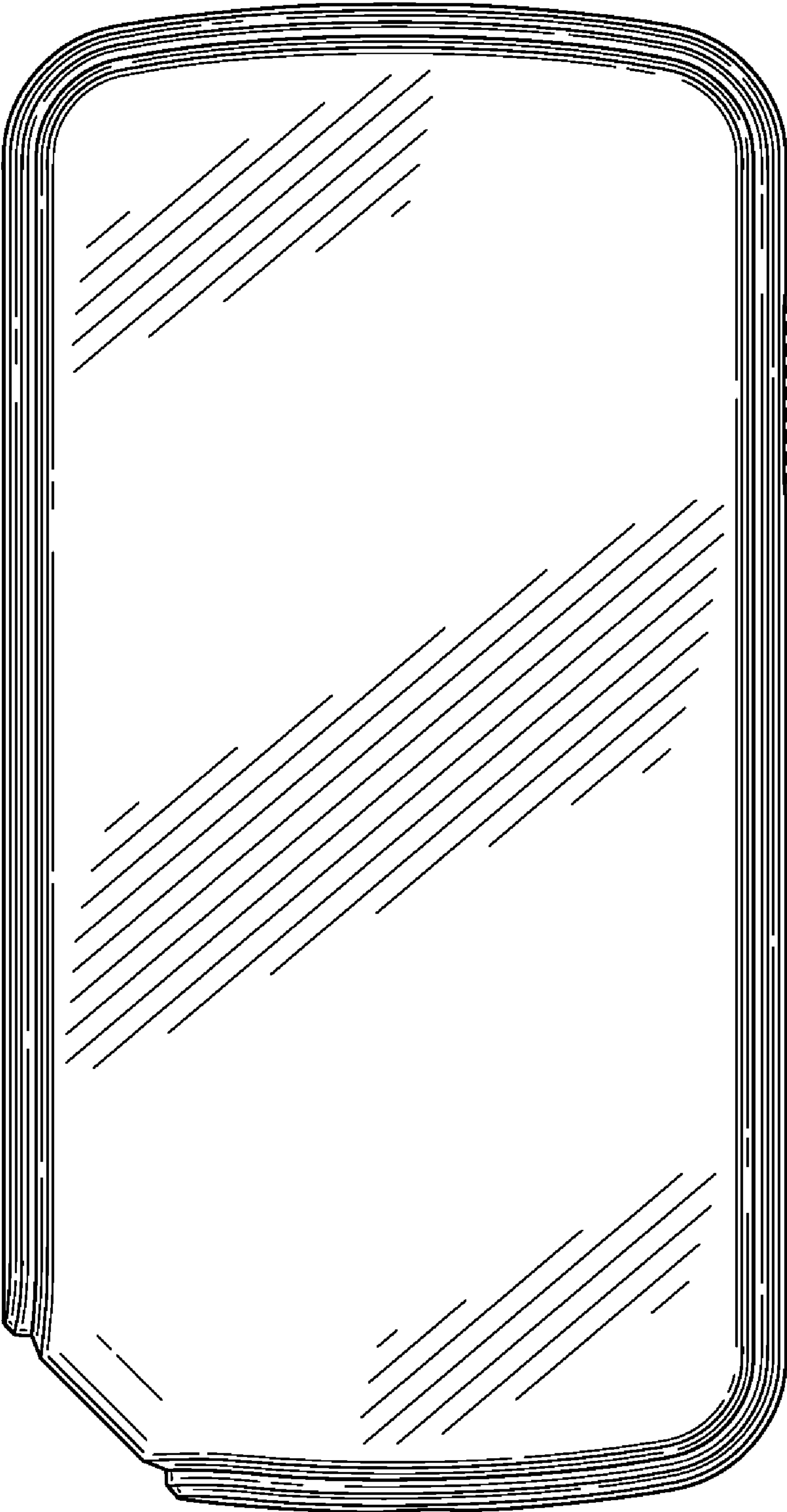


FIG. 3

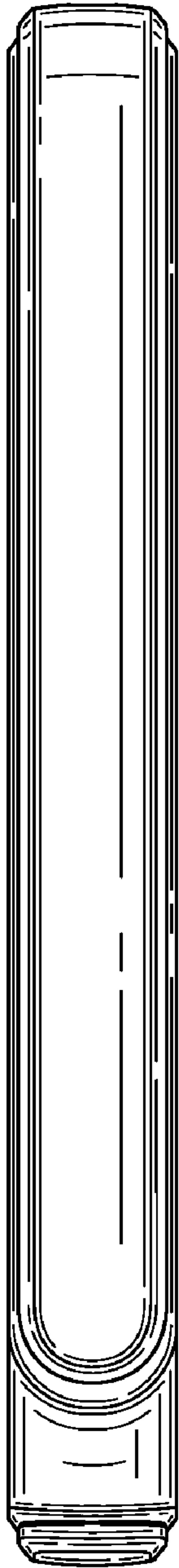


FIG. 4

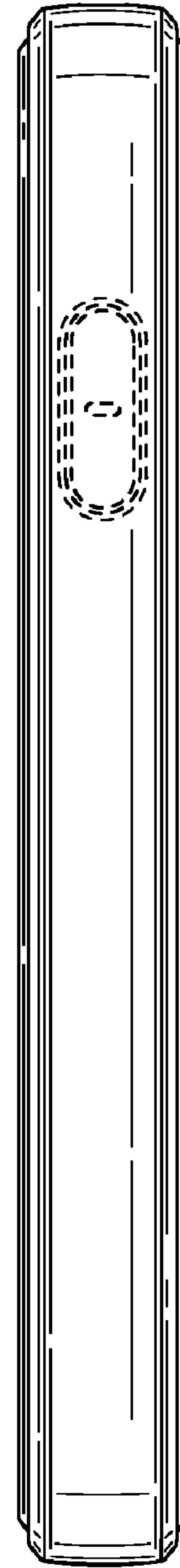


FIG. 5



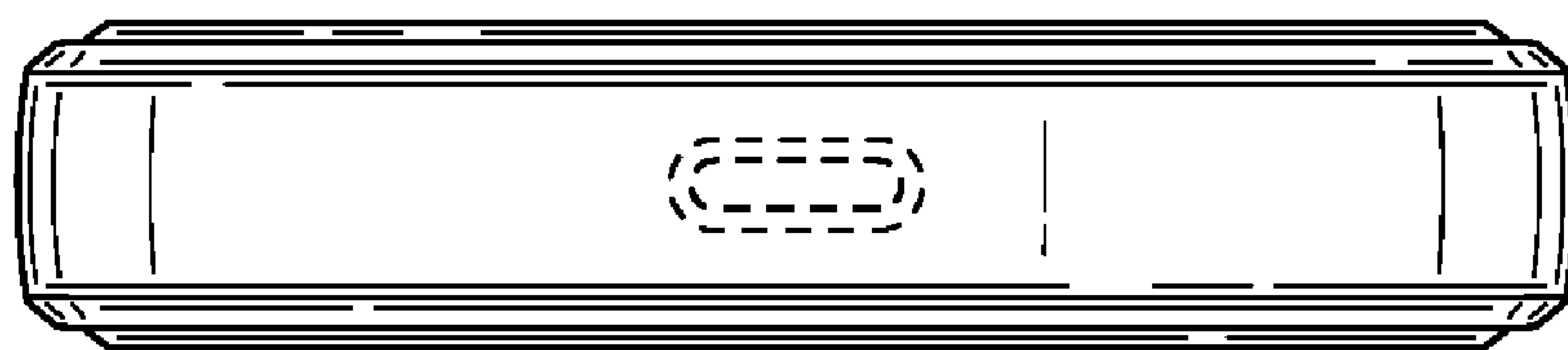


FIG. 6



FIG. 7

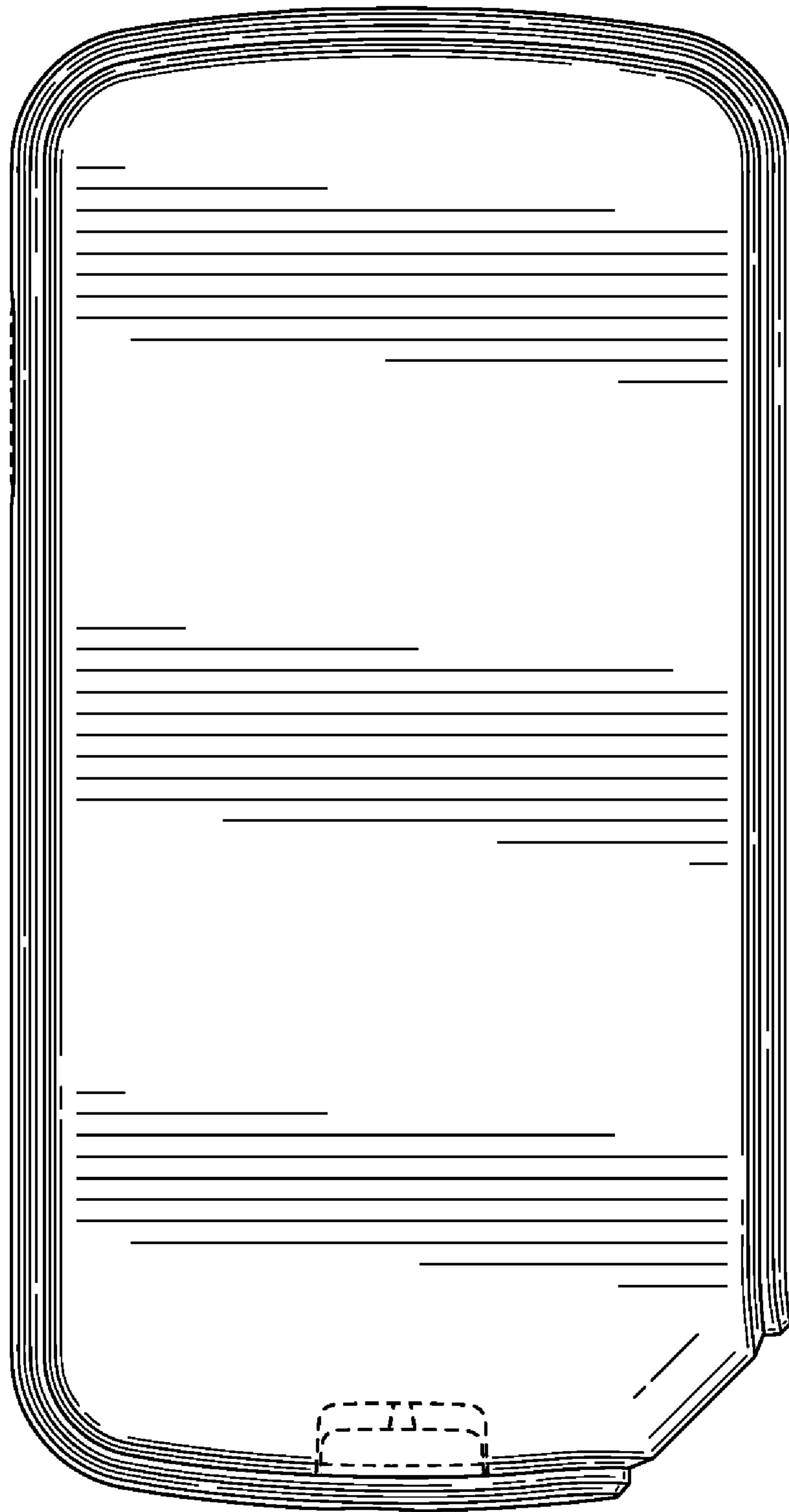


FIG. 8