



US00D582383S

(12) **United States Design Patent**
Hasegawa et al.

(10) **Patent No.:** **US D582,383 S**

(45) **Date of Patent:** **** Dec. 9, 2008**

(54) **TELEPHONE BASE UNIT**

D570,820 S * 6/2008 Katori D14/149

(75) Inventors: **Takashi Hasegawa**, Kadoma (JP);
Takayuki Okawa, Kadoma (JP)

(73) Assignee: **Panasonic Corporation**, Osaka (JP)

(**) Term: **14 Years**

(21) Appl. No.: **29/297,402**

(22) Filed: **Nov. 9, 2007**

(51) **LOC (8) Cl.** **14-03**

(52) **U.S. Cl.** **D14/149**

(58) **Field of Classification Search** D14/125-130,
D14/136-137, 140-142, 147-151, 158-159,
D14/171, 188, 225-226, 240, 243, 247, 251,
D14/253, 349, 356, 358, 434; 379/88.17,
379/90.01, 93.17, 387.01, 388.02, 419-420.04,
379/428.01-428.04, 434-436, 440, 446-447,
379/454-455; 381/16, 71.1; D13/107-108;
191/12.2 R; 320/108, 110, 113-115; 455/411,
455/550.1-90.3; 348/14.01-14.06

See application file for complete search history.

(56) **References Cited**

U.S. PATENT DOCUMENTS

D292,921 S	*	11/1987	Korellis	D14/151
D294,253 S	*	2/1988	Read	D14/150
4,979,205 A	*	12/1990	Haraguchi et al.	455/411
D334,747 S		4/1993	Roegner		
D375,954 S	*	11/1996	Smith	D14/151
D469,074 S	*	1/2003	Muenschler et al.	D14/149
D488,440 S	*	4/2004	Senda	D13/108
D489,323 S	*	5/2004	Yoshida	D13/108
D495,312 S	*	8/2004	Fitzgerald	D14/147
D525,233 S		7/2006	Franck et al.		
D528,979 S		9/2006	Franck et al.		
D530,302 S		10/2006	Franck et al.		
D544,476 S	*	6/2007	Wilson et al.	D14/251
D558,749 S	*	1/2008	Furuno et al.	D14/253
D566,041 S	*	4/2008	Stratford	D13/108
D570,324 S	*	6/2008	Furuno et al.	D14/149

OTHER PUBLICATIONS

AT&T SL80108, <URL:http://www.101phones.com/details/3551-5651/AT%26T-DECT-6-Cordless-Phones-SL80108.html>, retrieved from internet Jul. 8, 2008 9:10:12 PM.*

* cited by examiner

Primary Examiner—Ian Simmons

Assistant Examiner—Carla Wright

(74) *Attorney, Agent, or Firm*—Brinks Hofer Gilson & Lione

(57) **CLAIM**

We claim the ornamental design for a telephone base unit, as shown and described.

DESCRIPTION

FIG. 1 is a top perspective view of a first embodiment of a telephone base unit of the present invention;

FIG. 2 is a front view thereof;

FIG. 3 is a rear view thereof;

FIG. 4 is a first side view thereof;

FIG. 5 is a second side view thereof;

FIG. 6 is a top view thereof;

FIG. 7 is a bottom view thereof;

FIG. 8 is a top perspective view of a second embodiment of a telephone base unit of the present invention;

FIG. 9 is a front view thereof;

FIG. 10 is a rear view thereof;

FIG. 11 is a first side view thereof;

FIG. 12 is a second side view thereof;

FIG. 13 is a top view thereof; and,

FIG. 14 is a bottom view thereof.

The broken line showing of environmental structures is for illustrative purposes only and forms no part of the claimed design.

1 Claim, 14 Drawing Sheets

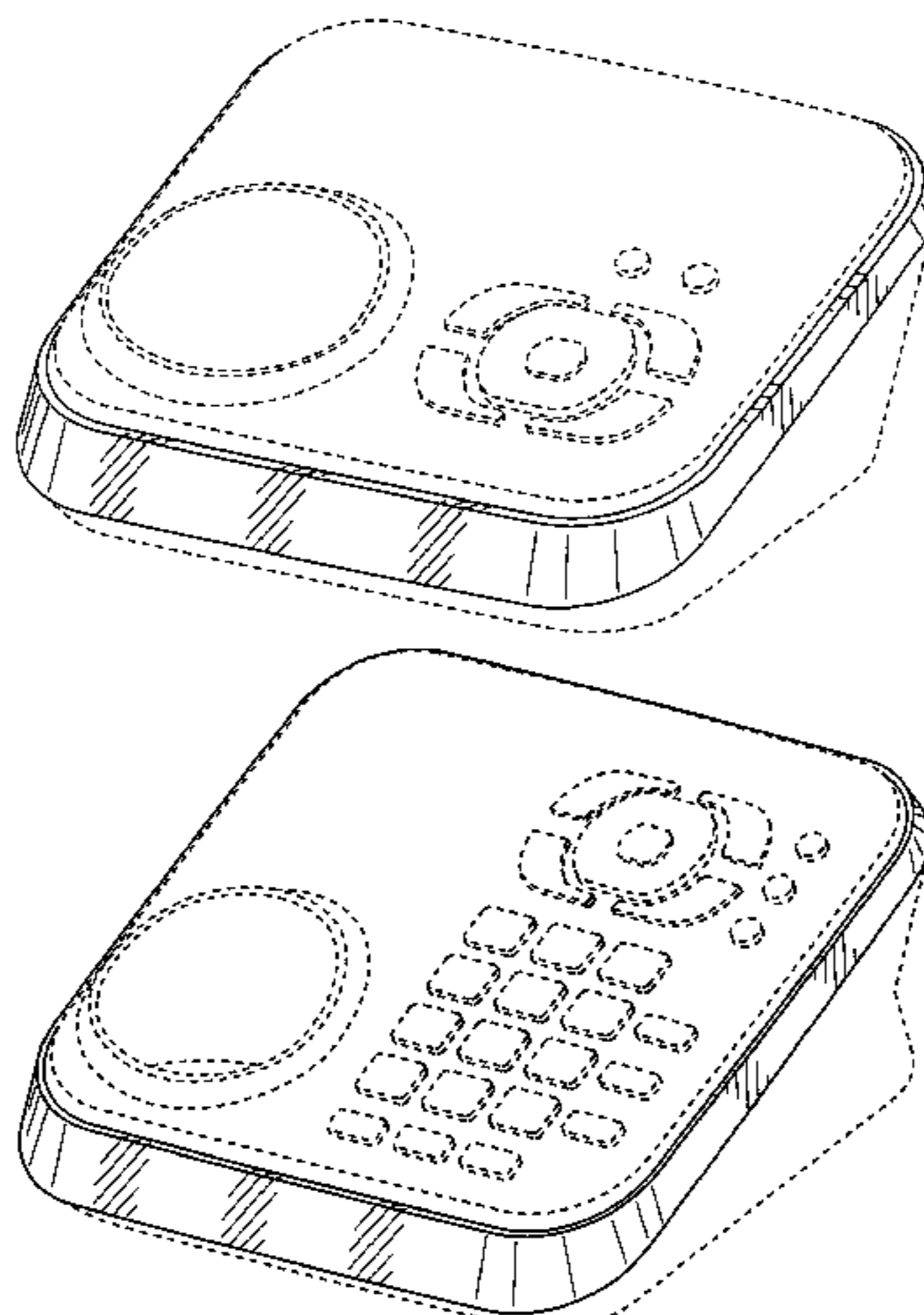


FIG.1

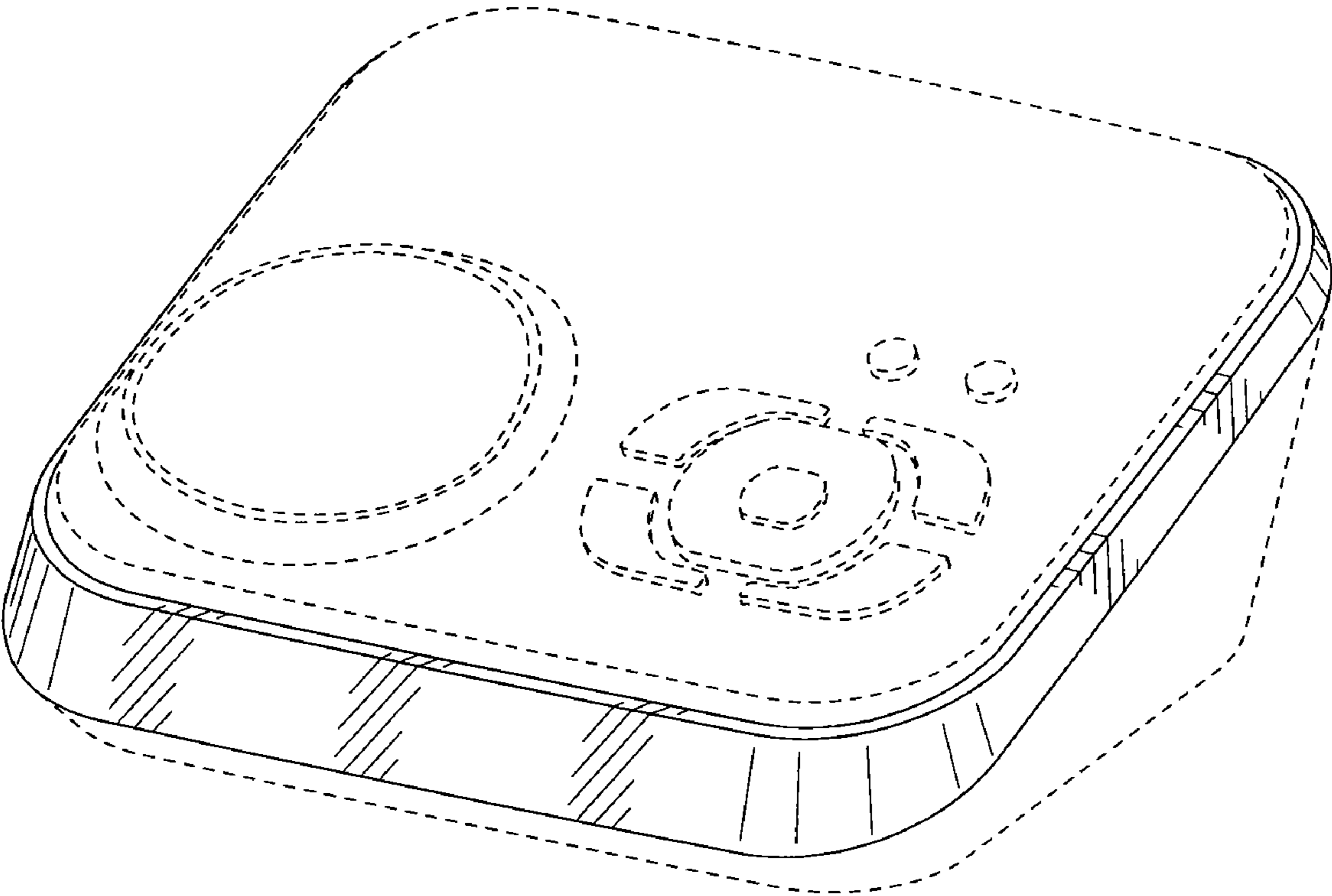


FIG. 2

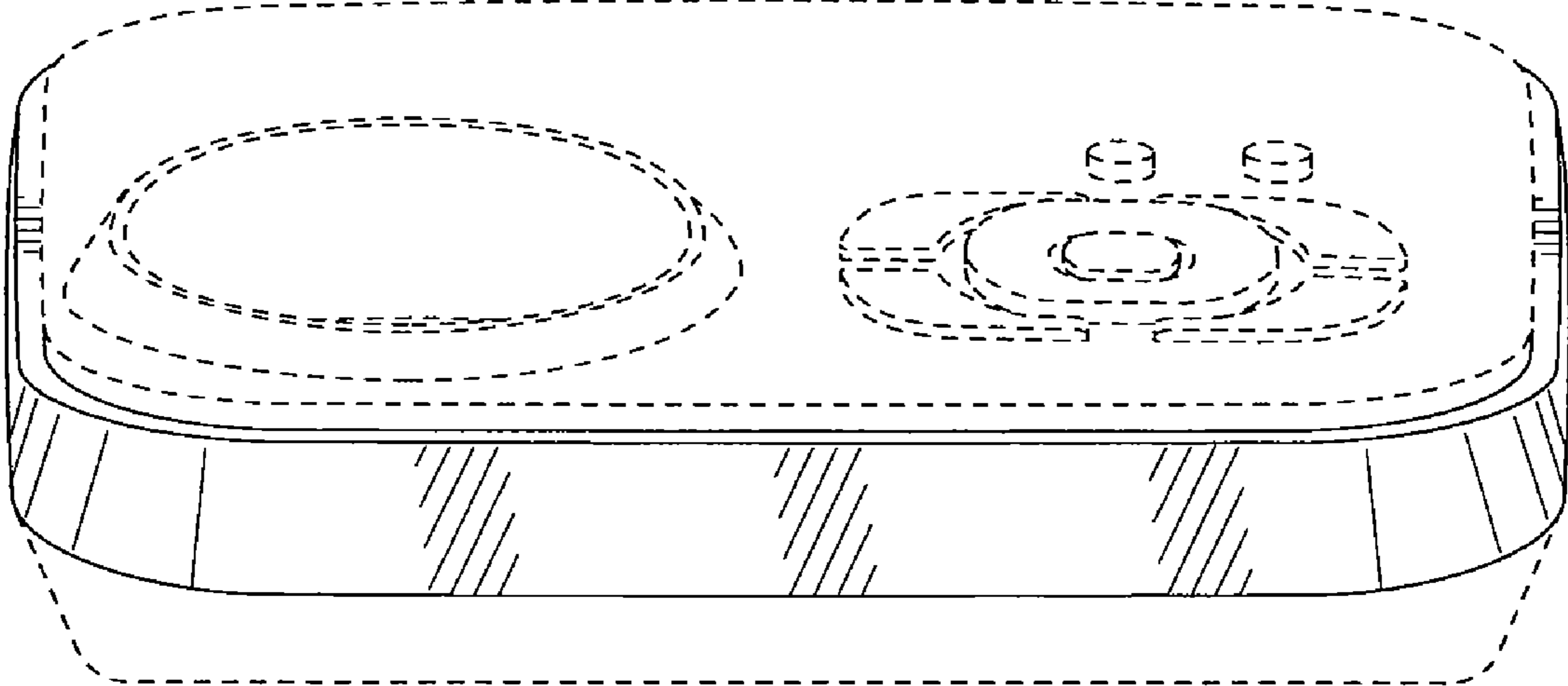


FIG.3

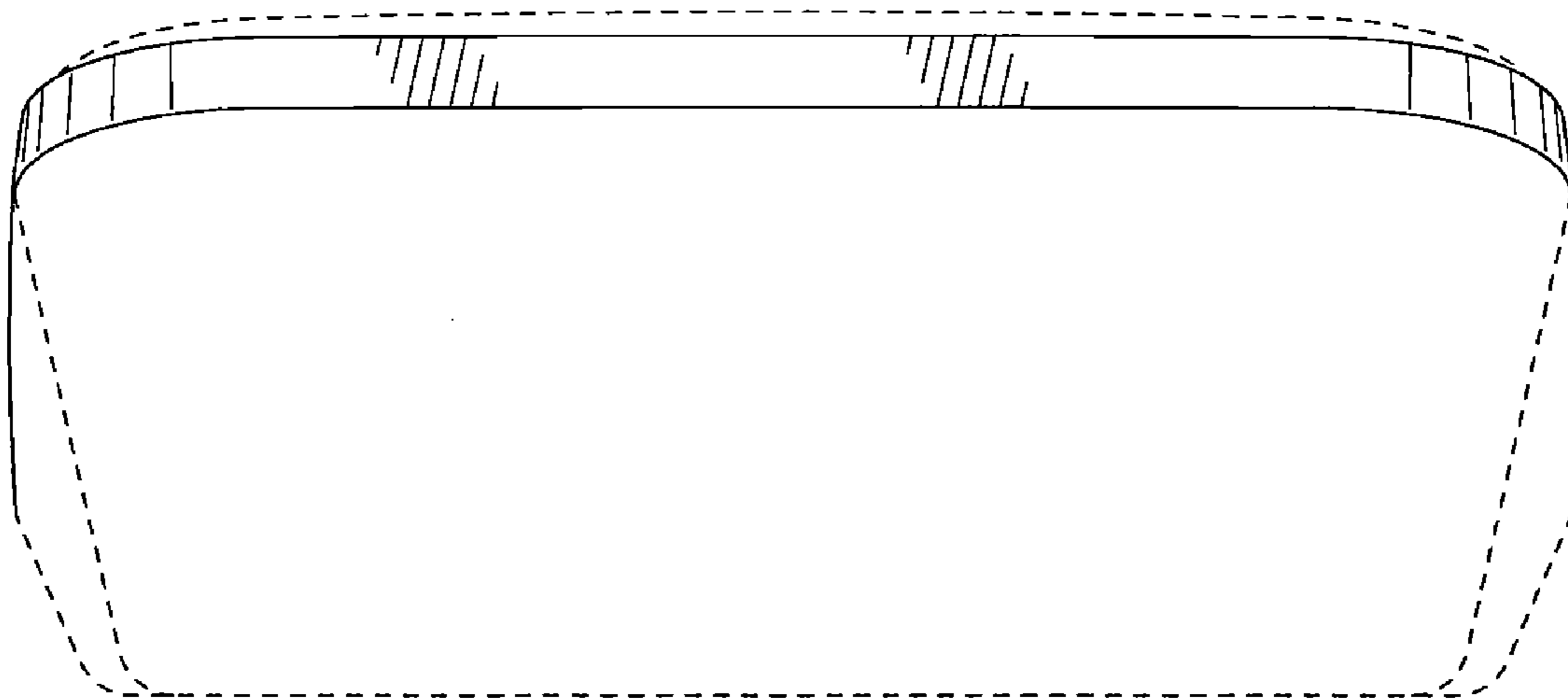


FIG.4

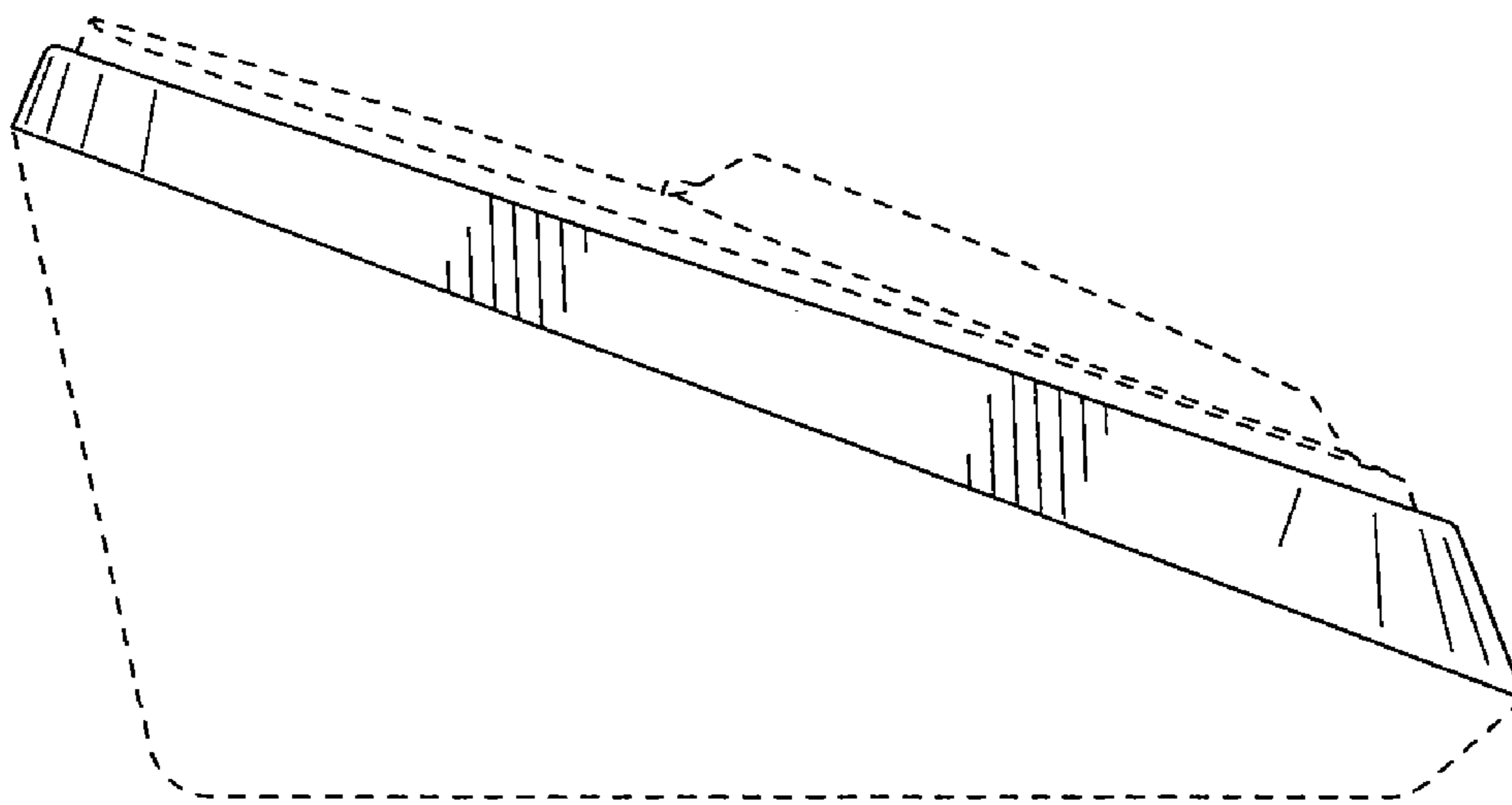


FIG. 5

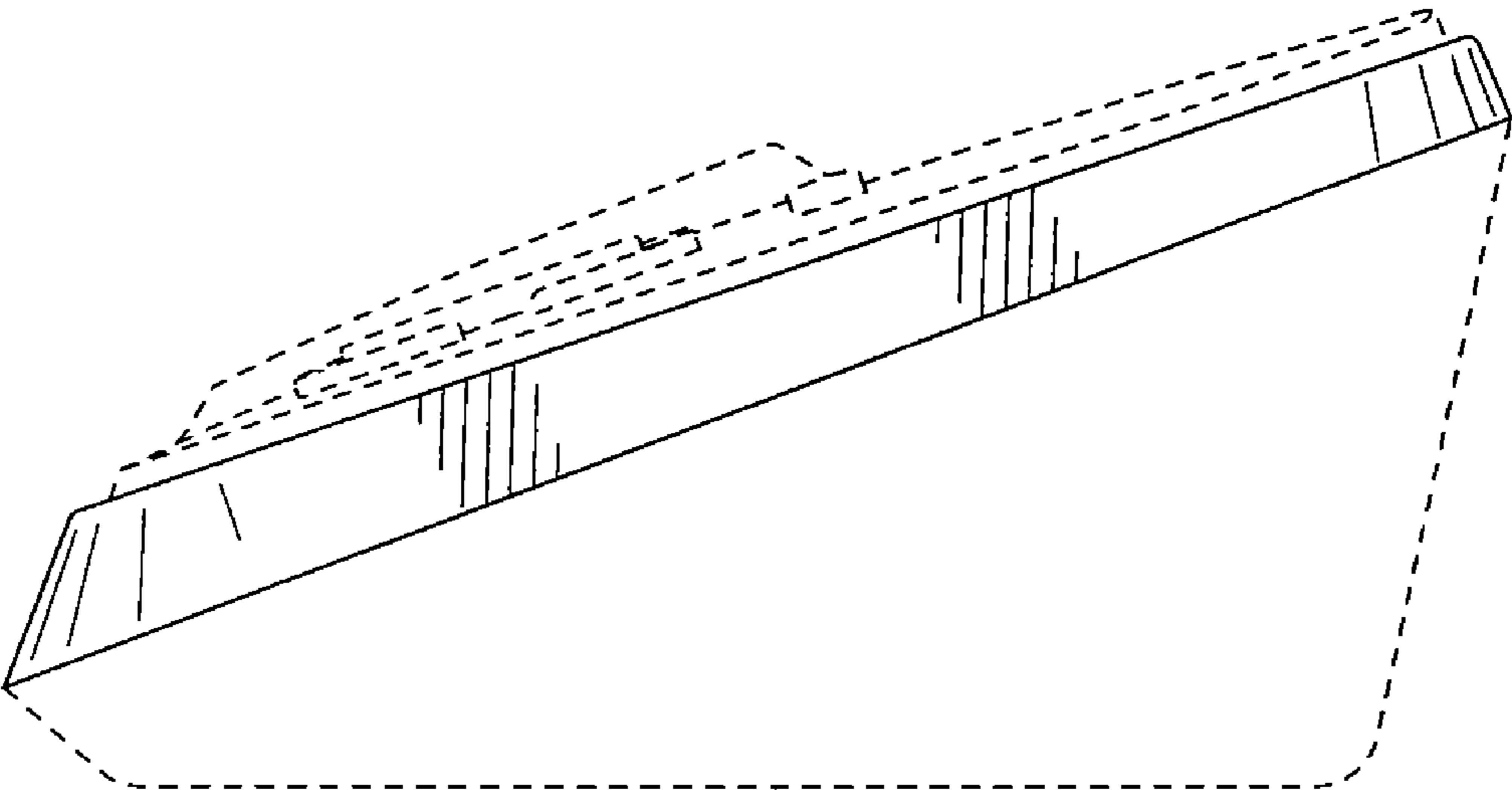


FIG. 6

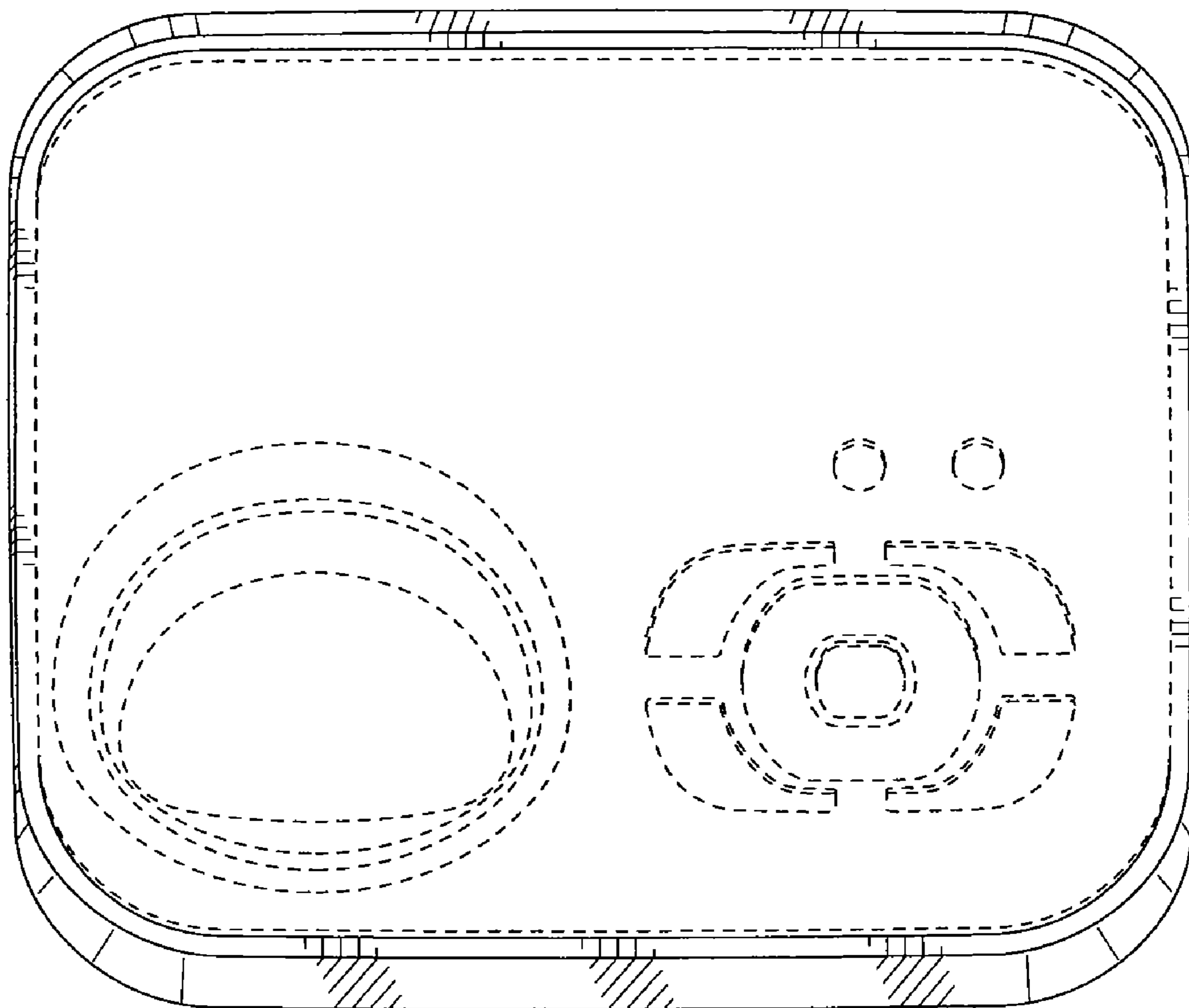


FIG.7

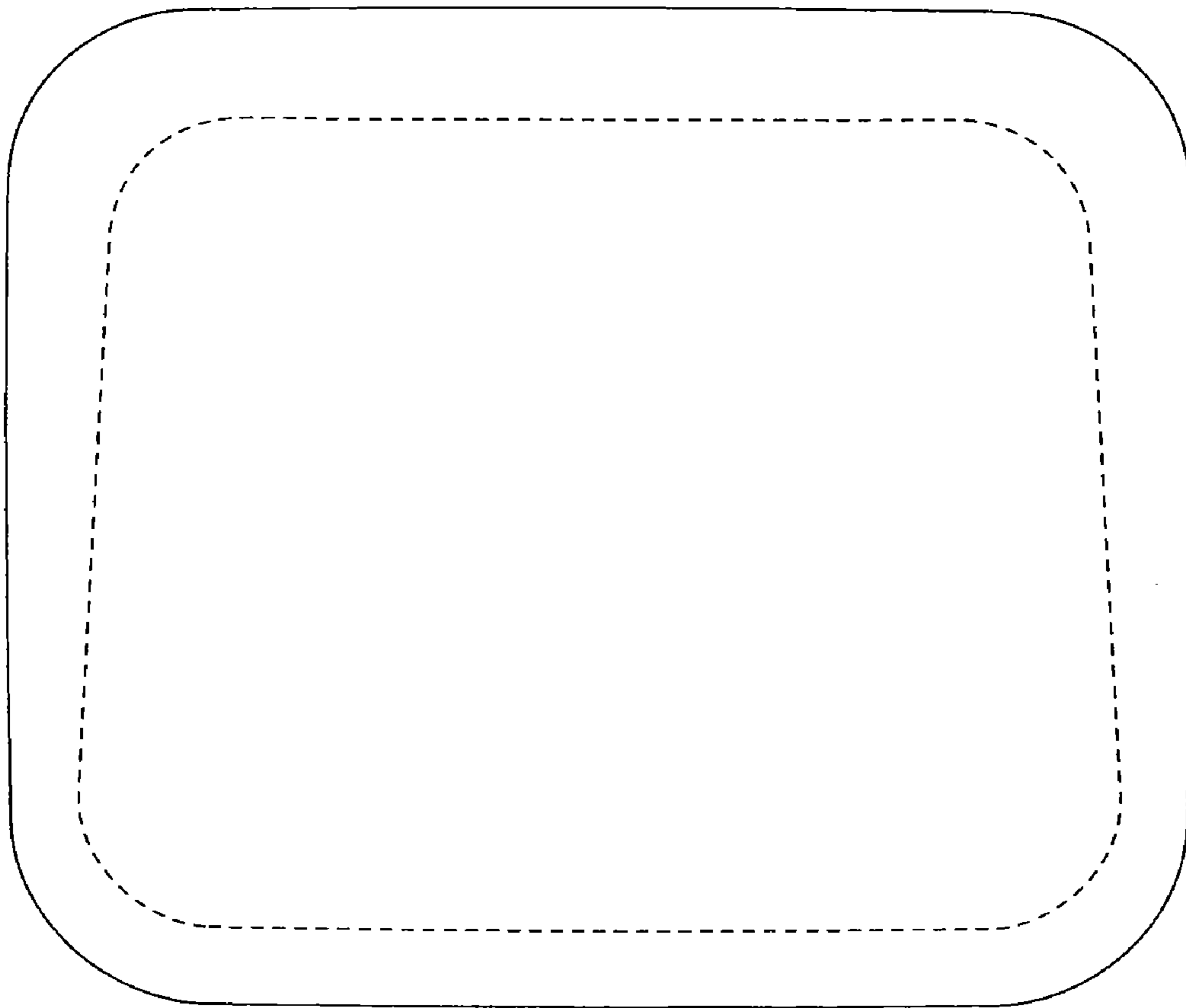


FIG.8

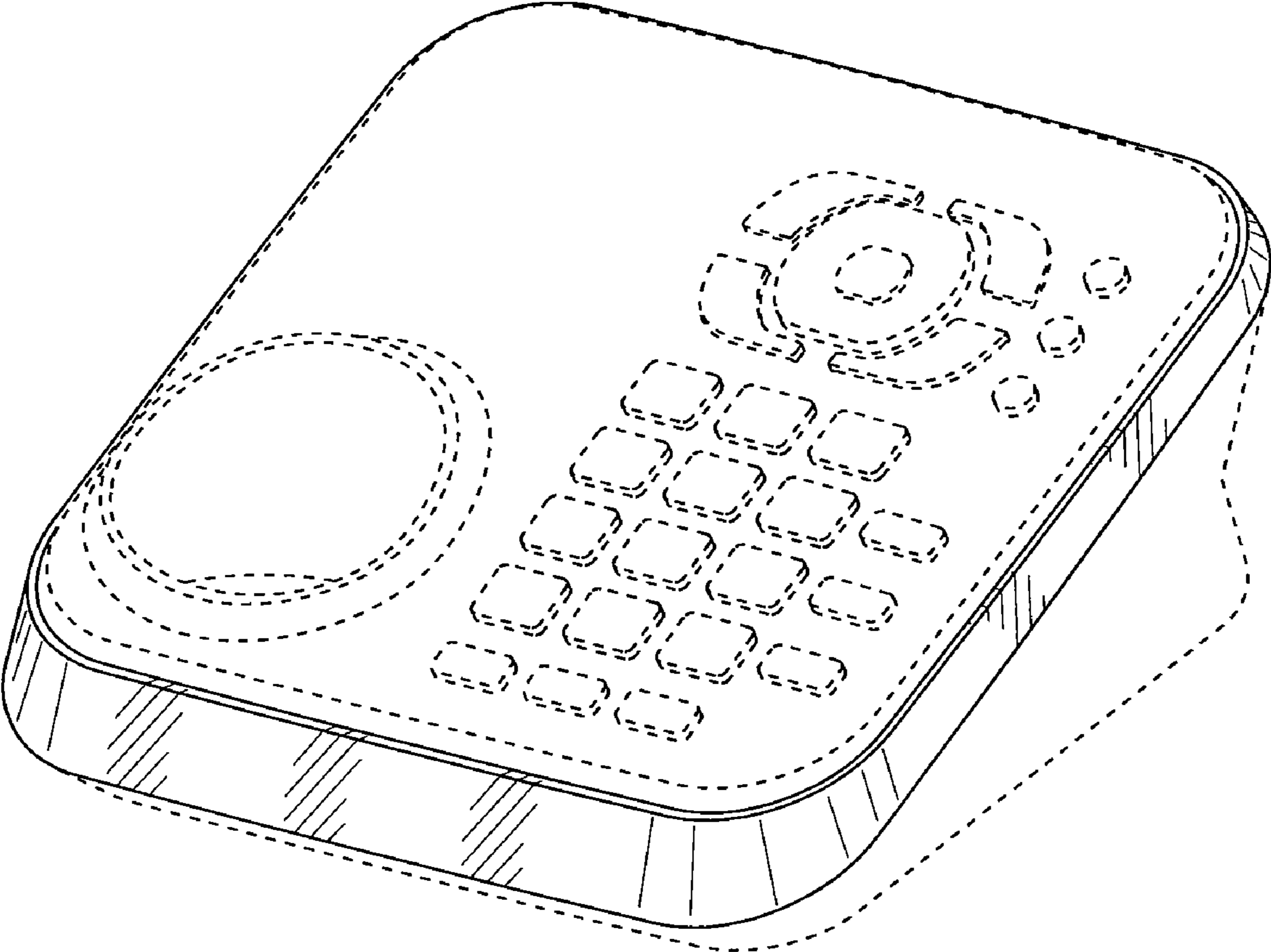


FIG. 9

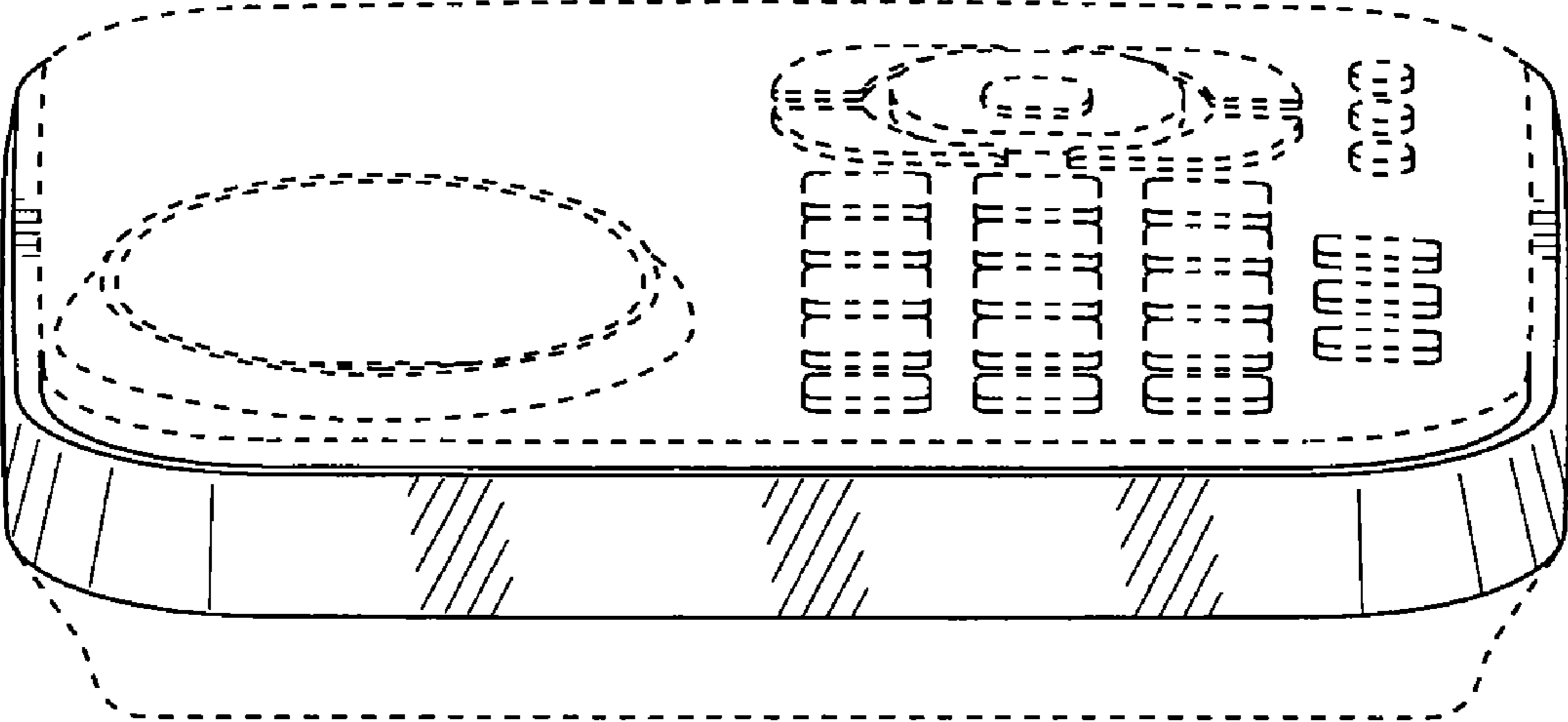


FIG.10

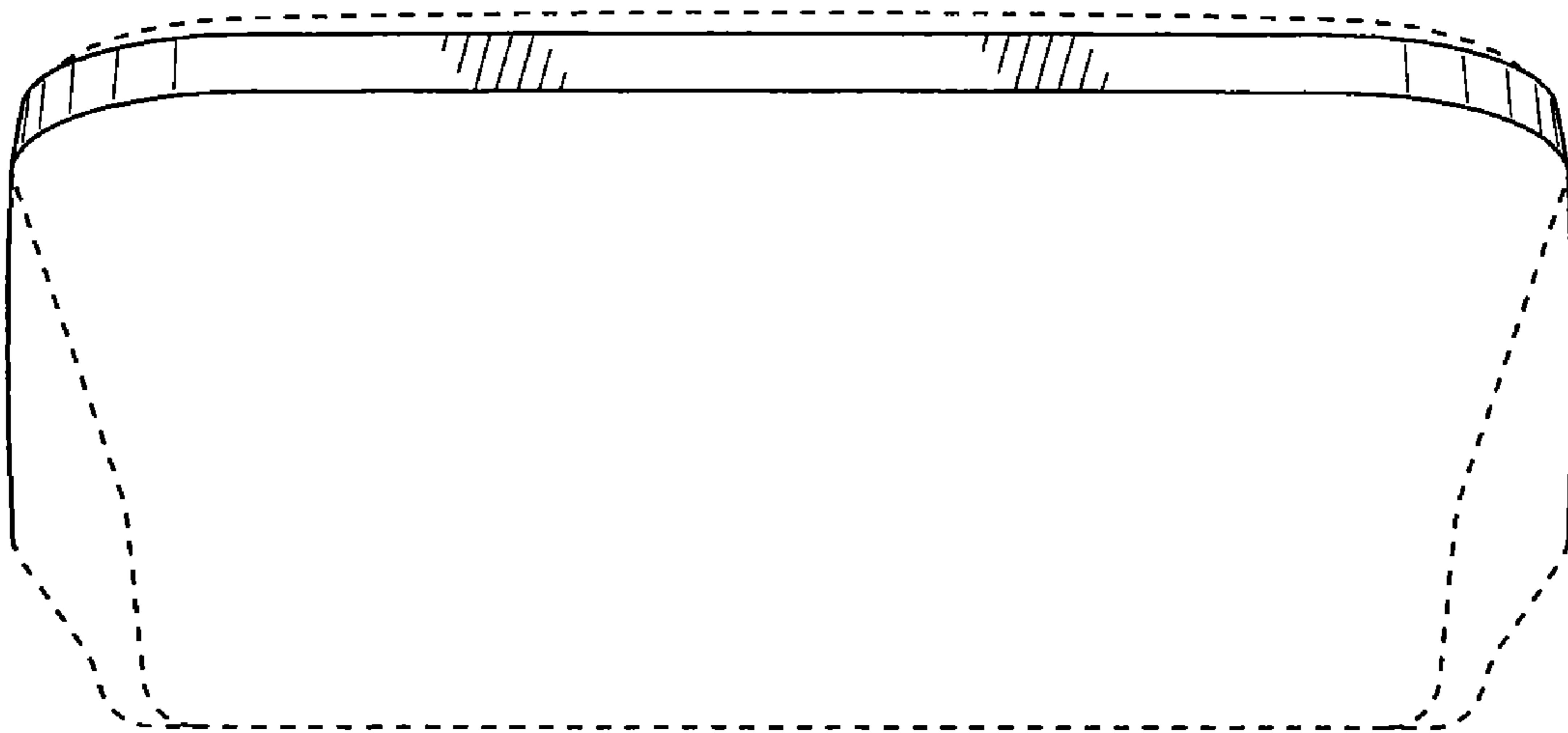


FIG.11

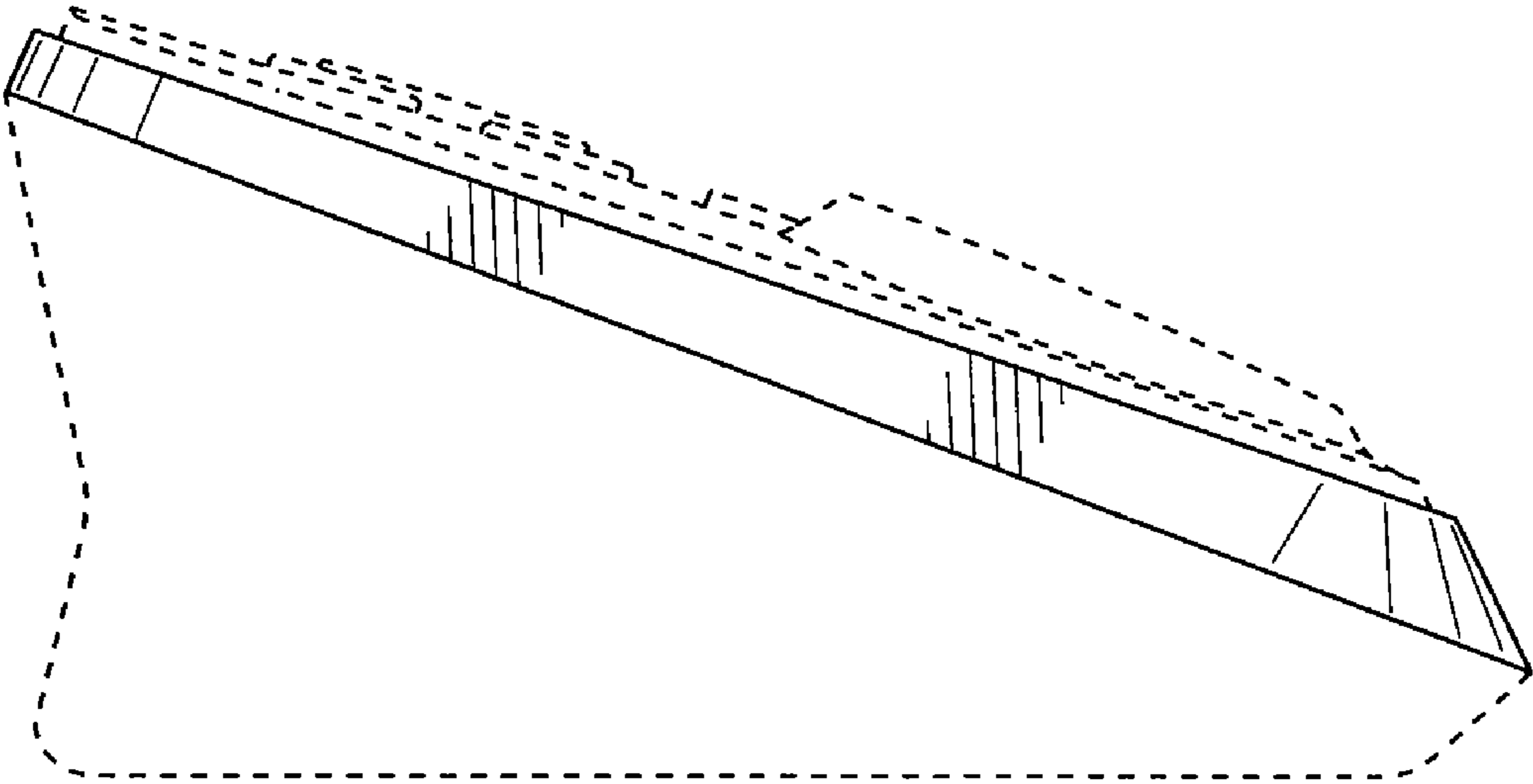


FIG. 12

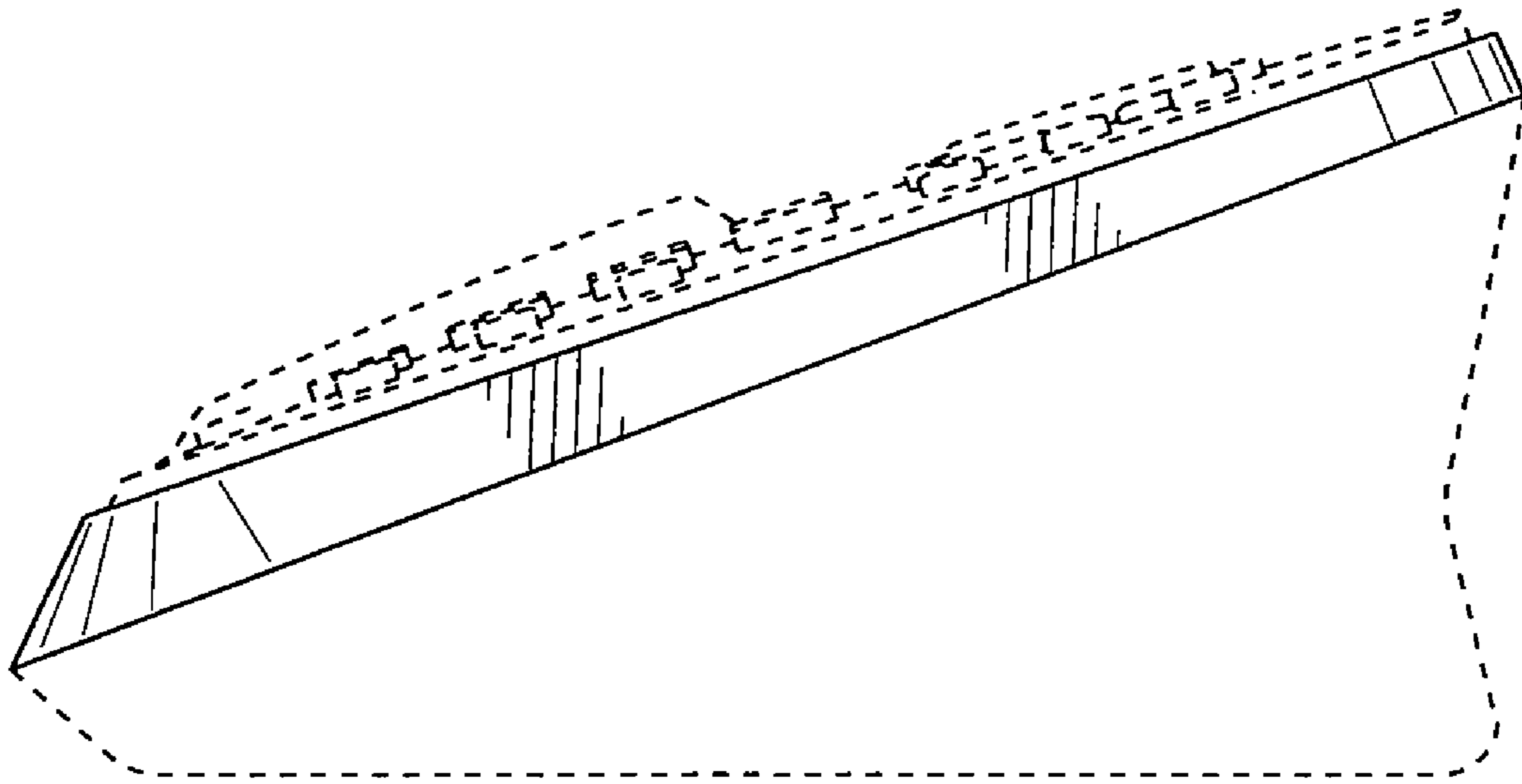


FIG. 13

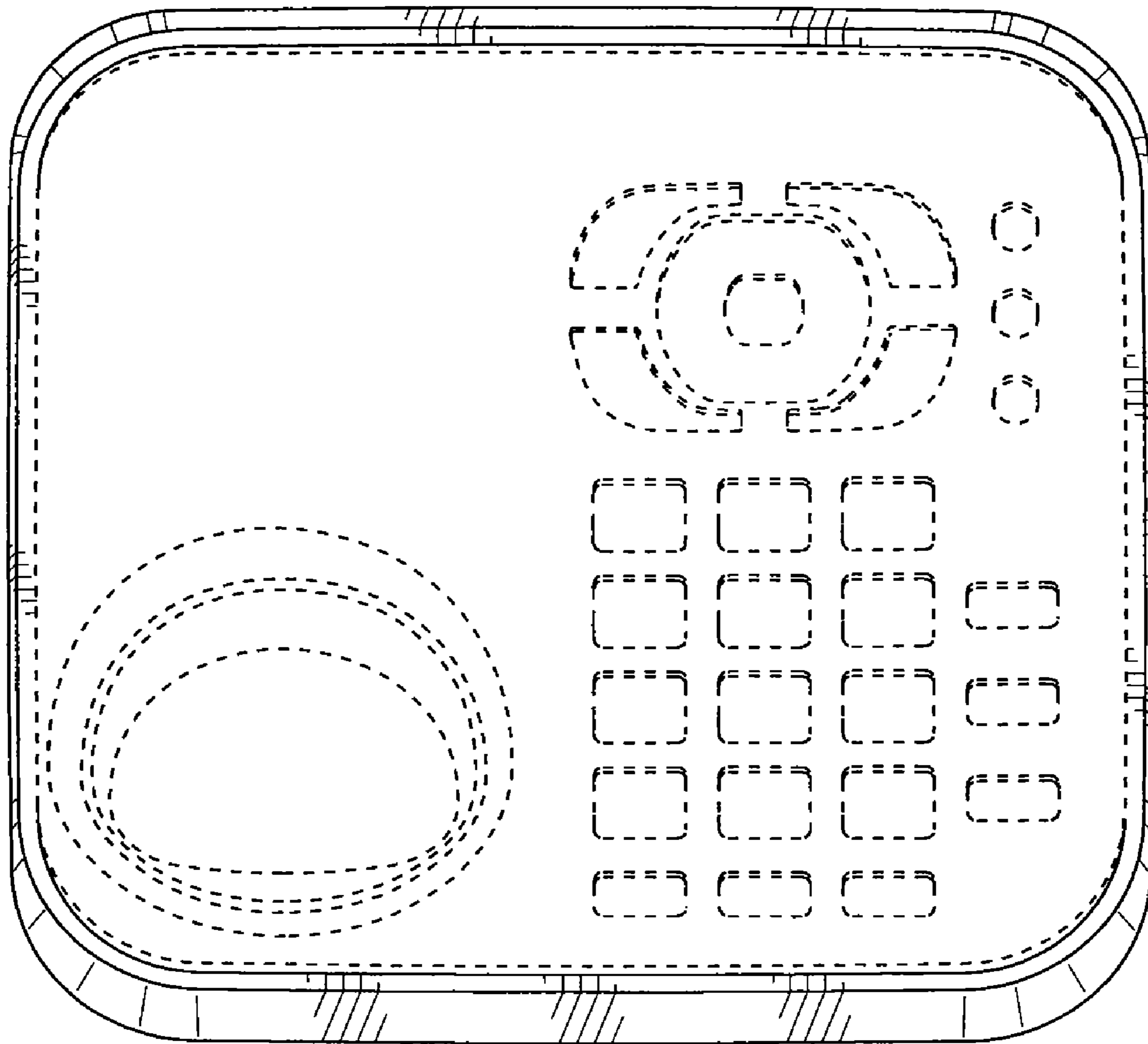


FIG.14

