



US00D582367S

(12) **United States Design Patent**
Kim et al.

(10) **Patent No.:** **US D582,367 S**

(45) **Date of Patent:** **** *Dec. 9, 2008**

(54) **PORTABLE PHONE**

(75) Inventors: **Young-Sae Kim**, Palo Alto, CA (US);
Chi-Young Ahn, Seodaemun-Gu (KR);
Beom-Ku Han, Seoul (KR);
Chang-Hwan Hwang, Goyang-Si (KR)

(73) Assignee: **Samsung Electronics Co., Ltd.**,
Suwon-Si (KR)

(**) Term: **14 Years**

(21) Appl. No.: **29/234,745**

(22) Filed: **Jul. 22, 2005**

(30) **Foreign Application Priority Data**

Jan. 26, 2005 (KR) 30-2005-0002648

(51) **LOC (8) Cl.** **14-03**

(52) **U.S. Cl.** **D14/138**

(58) **Field of Classification Search** D14/191,
D14/138, 147-148, 247-248, 144, 496, 156,
D14/341-347; 379/433.01-433.13; 455/575.3,
455/566, 575.1, 556.1, 556.2, 90.3; D21/517;
D16/208

See application file for complete search history.

(56) **References Cited**

U.S. PATENT DOCUMENTS

D419,155 S * 1/2000 Nagele et al. D14/138

(Continued)

FOREIGN PATENT DOCUMENTS

WO DM/067361 * 9/2005

OTHER PUBLICATIONS

Haier V6200 telephone, announced 2004, [online], [retrieved on Feb. 4, 2007], Retrieved from Internet ,<URL: http://www.gsmarena.com>.*

InnoStream Inno 70 telephone, announced 1st Quarter 2004, [online], [retrieved on Jan. 22, 2007], Retrieved from Internet ,<URL: http://www.gsmarena.com>.*

Primary Examiner—Jeffrey D Asch

(74) *Attorney, Agent, or Firm*—Staas & Halsey LLP

(57) **CLAIM**

The ornamental design for portable phone, as shown and described.

DESCRIPTION

FIG. 1 is a perspective view of the portable phone showing our design;

FIG. 2 is a front view thereof;

FIG. 3 is a rear view thereof;

FIG. 4 is a left side view thereof;

FIG. 5 is a right side view thereof;

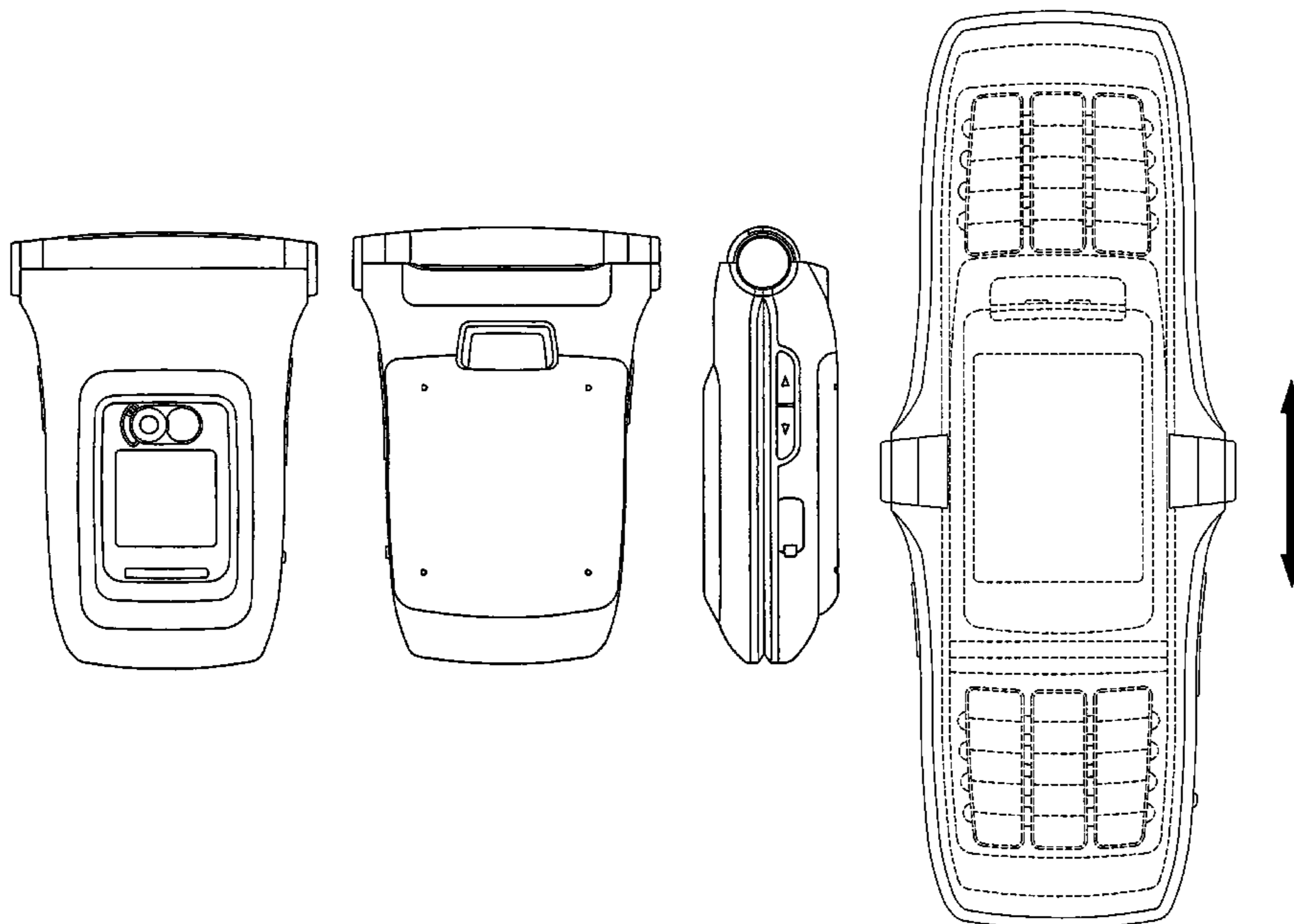
FIG. 6 is a top plan view thereof;

FIG. 7 is a bottom plan view thereof; and,

FIG. 8 is an open view thereof.

The broken lines shown in FIG. 8, which are immediately adjacent to the claimed surfaces and define a frame around the keypad and display, represent the bounds of the claimed design, while the other broken lines within the non-claimed area of the frame are directed to environment and are for illustrative purposes only; the broken lines form no part of the claimed design.

1 Claim, 5 Drawing Sheets



US D582,367 S

Page 2

U.S. PATENT DOCUMENTS

6,628,508	B2 *	9/2003	Lieu et al.	361/680	D519,096	S *	4/2006	Kanaoka et al.	D14/138
D487,066	S *	2/2004	Gartrell et al.	D14/138	D519,484	S *	4/2006	Wolf et al.	D14/138
D487,443	S *	3/2004	Yoon	D14/138	D521,969	S *	5/2006	Kim et al.	D14/138
D496,016	S *	9/2004	Hoo	D14/138	7,054,146	B2 *	5/2006	Sutton et al.	361/680
D497,894	S *	11/2004	Kim	D14/138	7,099,708	B2 *	8/2006	Ronkko	455/575.1
D500,993	S *	1/2005	Hwang	D14/138	2002/0006815	A1 *	1/2002	Finke-Anlauff	455/575
D501,190	S *	1/2005	Watanabe et al.	D14/138	2003/0073414	A1 *	4/2003	P. Capps	455/90
D506,191	S *	6/2005	Majanen	D14/138	2005/0148375	A1 *	7/2005	DeLine	455/575.3
D507,553	S *	7/2005	Gotou et al.	D14/138	2006/0105824	A1 *	5/2006	Kim et al.	455/575.8
D508,032	S *	8/2005	Kim et al.	D14/138	2006/0121961	A1 *	6/2006	Cho	455/575.3
D510,333	S *	10/2005	Lodato et al.	D14/138	2006/0223595	A1 *	10/2006	Kim	455/575.3
D510,922	S *	10/2005	Kim et al.	D14/138	2006/0229117	A1 *	10/2006	Lehtonen	455/575.3
D518,812	S *	4/2006	Kim et al.	D14/138					

* cited by examiner

FIG. 1

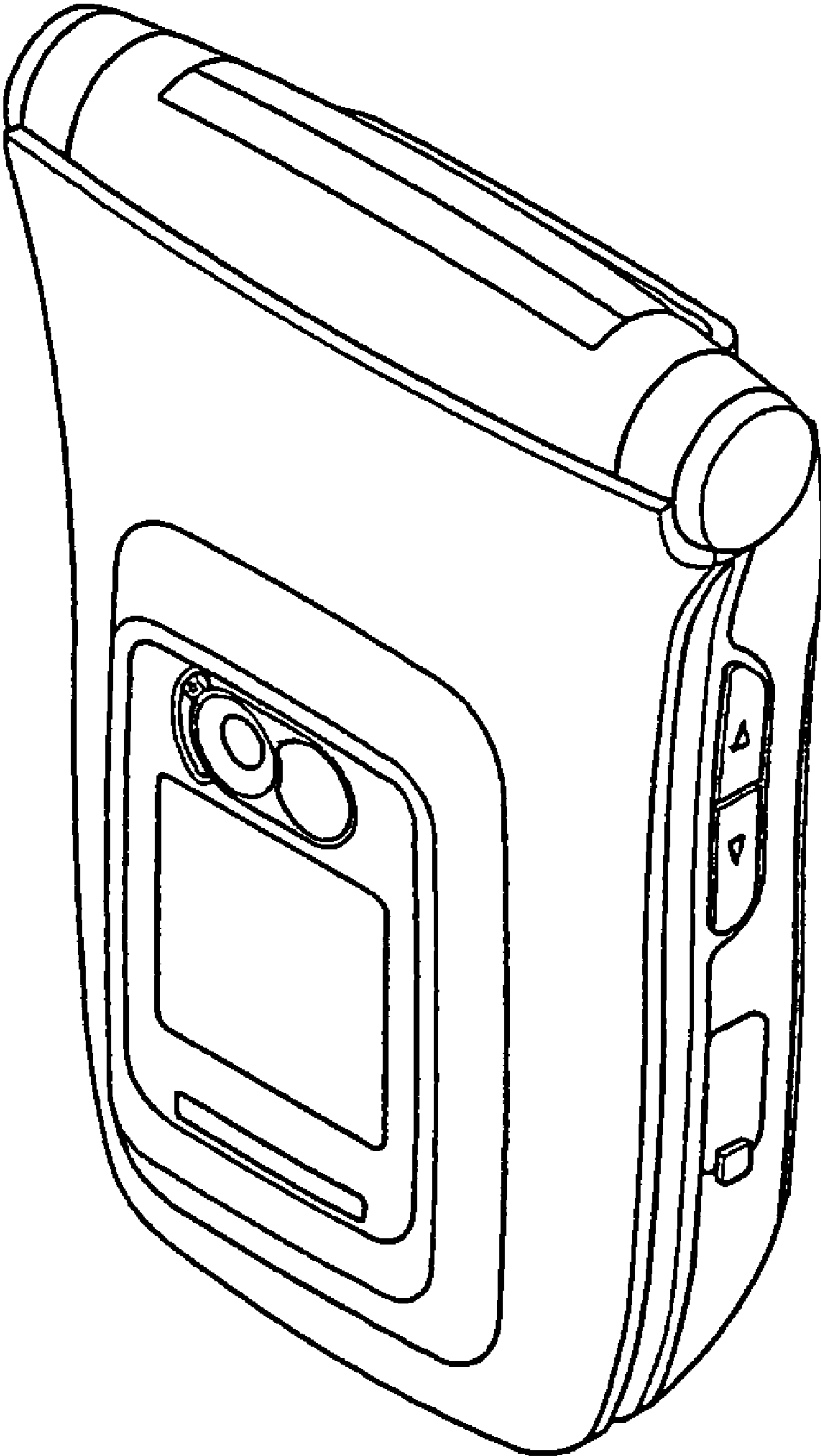


FIG. 2

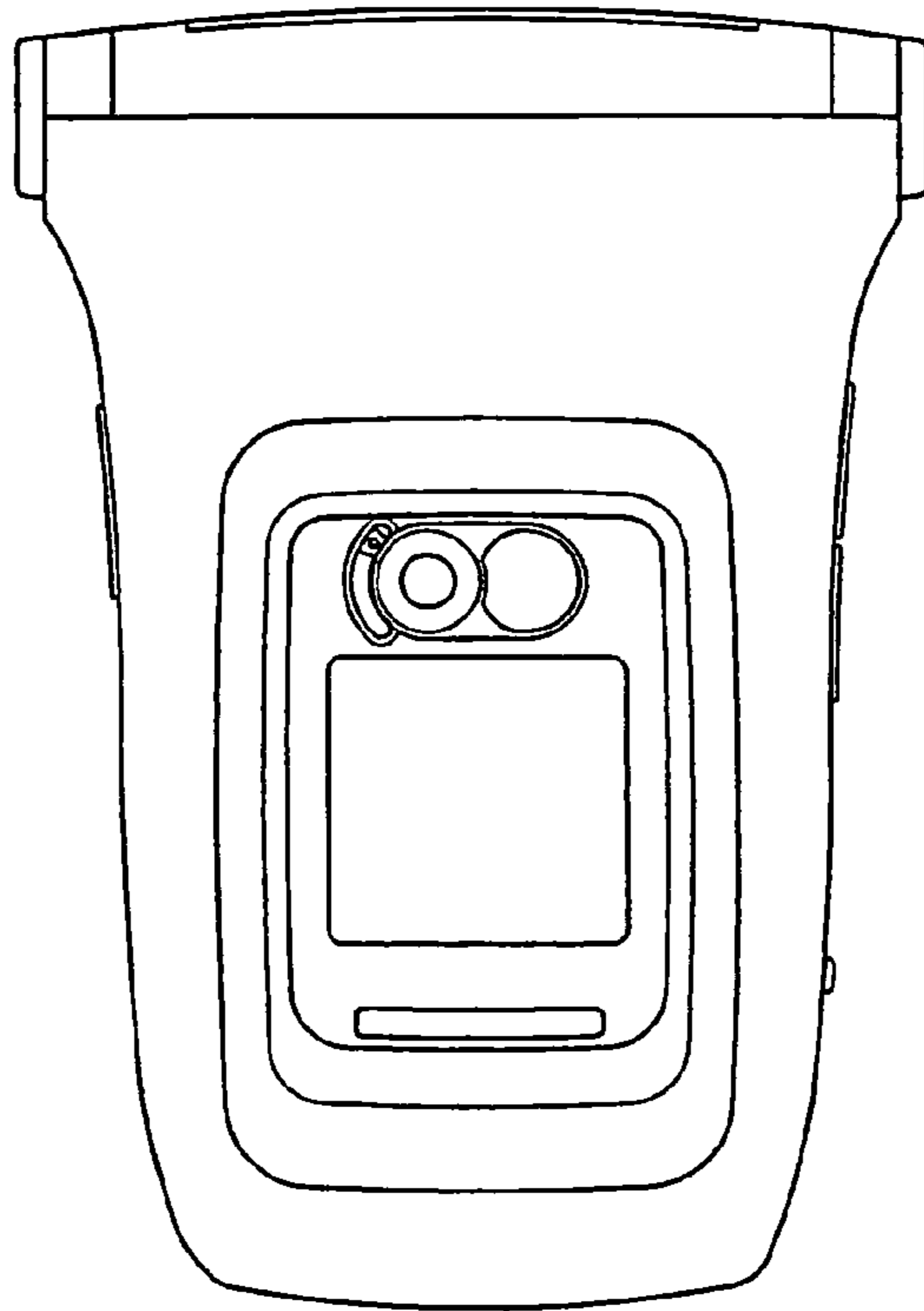


FIG. 3

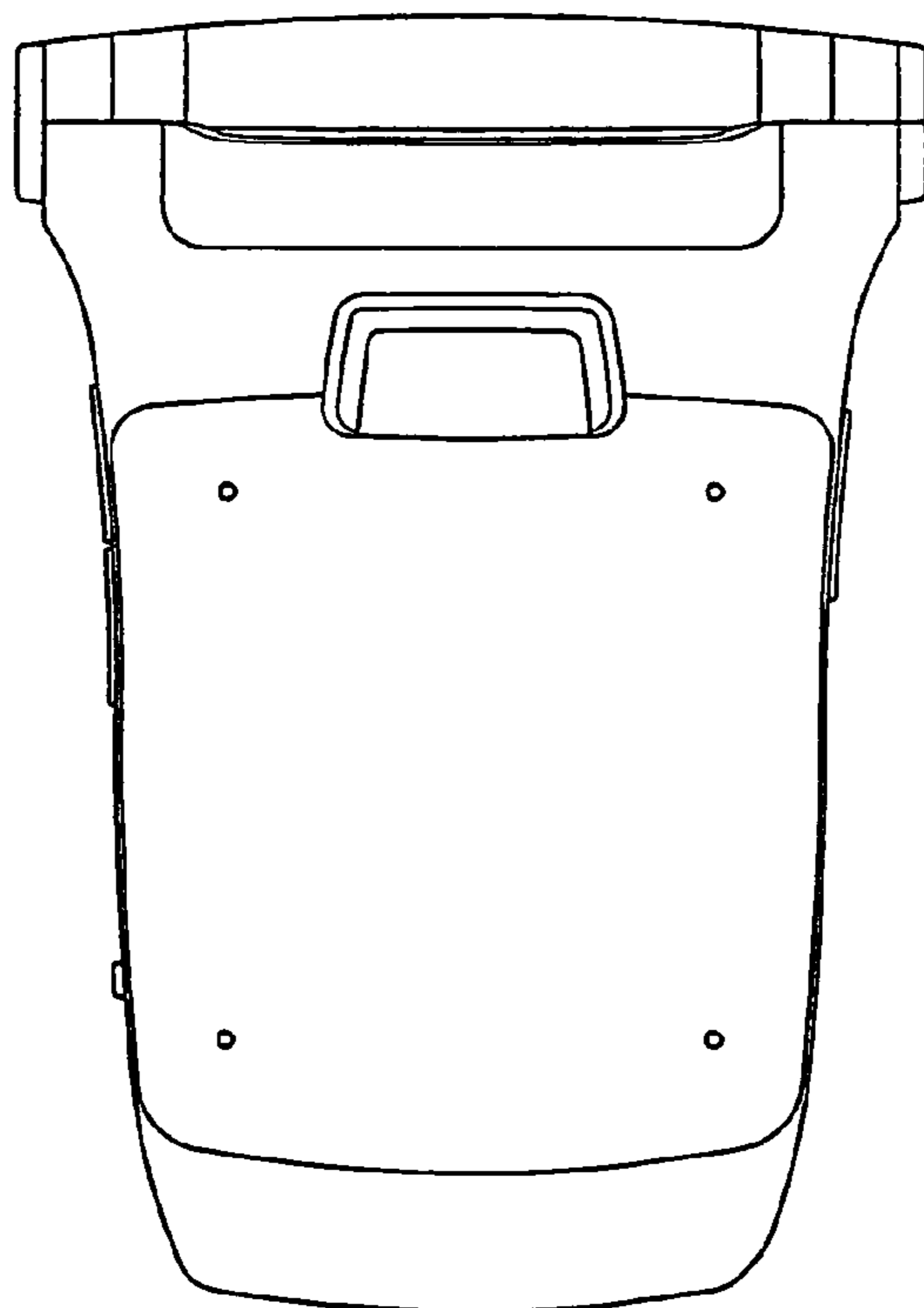


FIG. 4

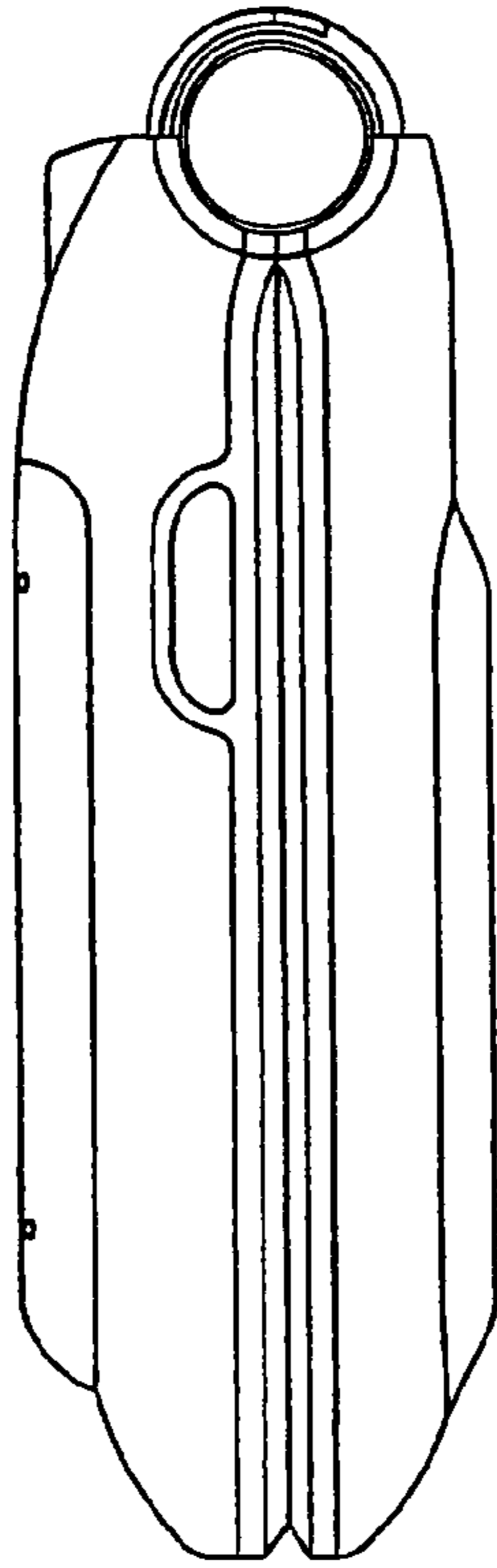


FIG. 5

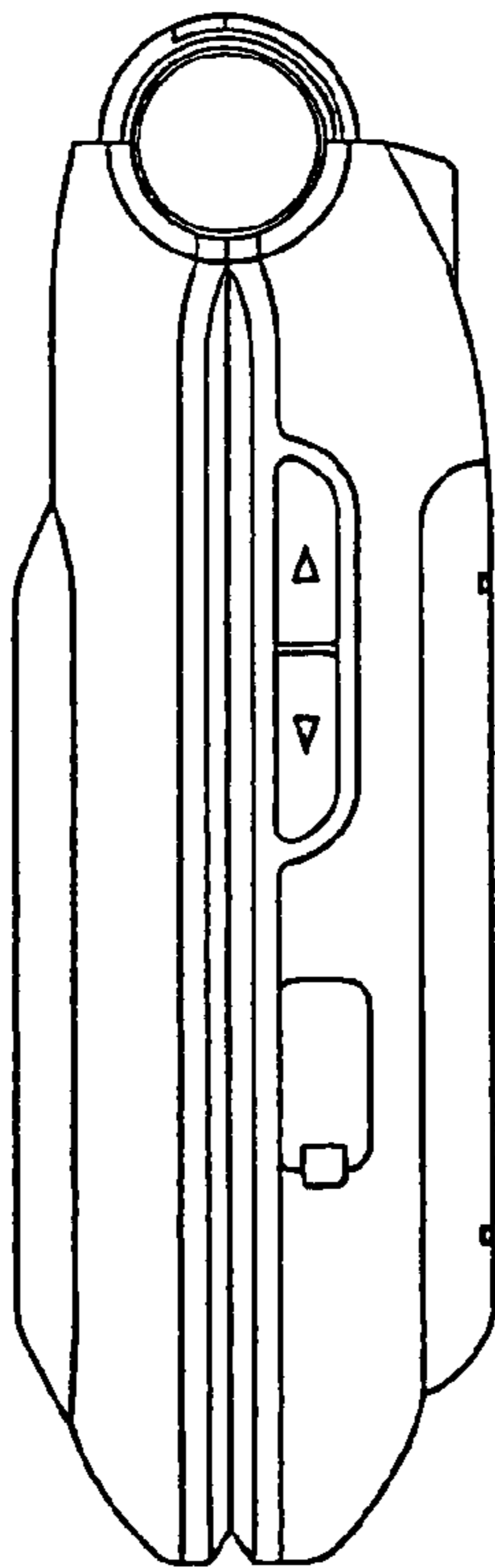


FIG. 6

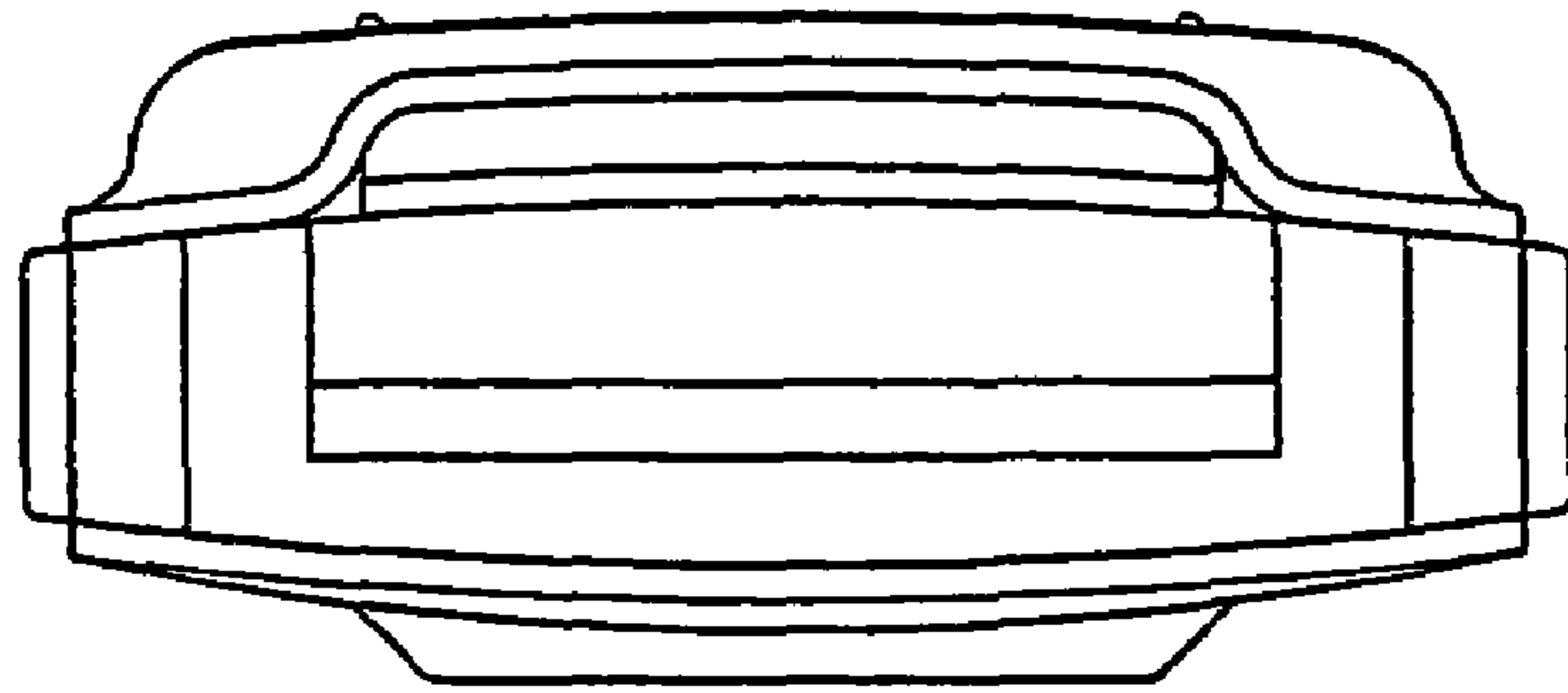


FIG. 7

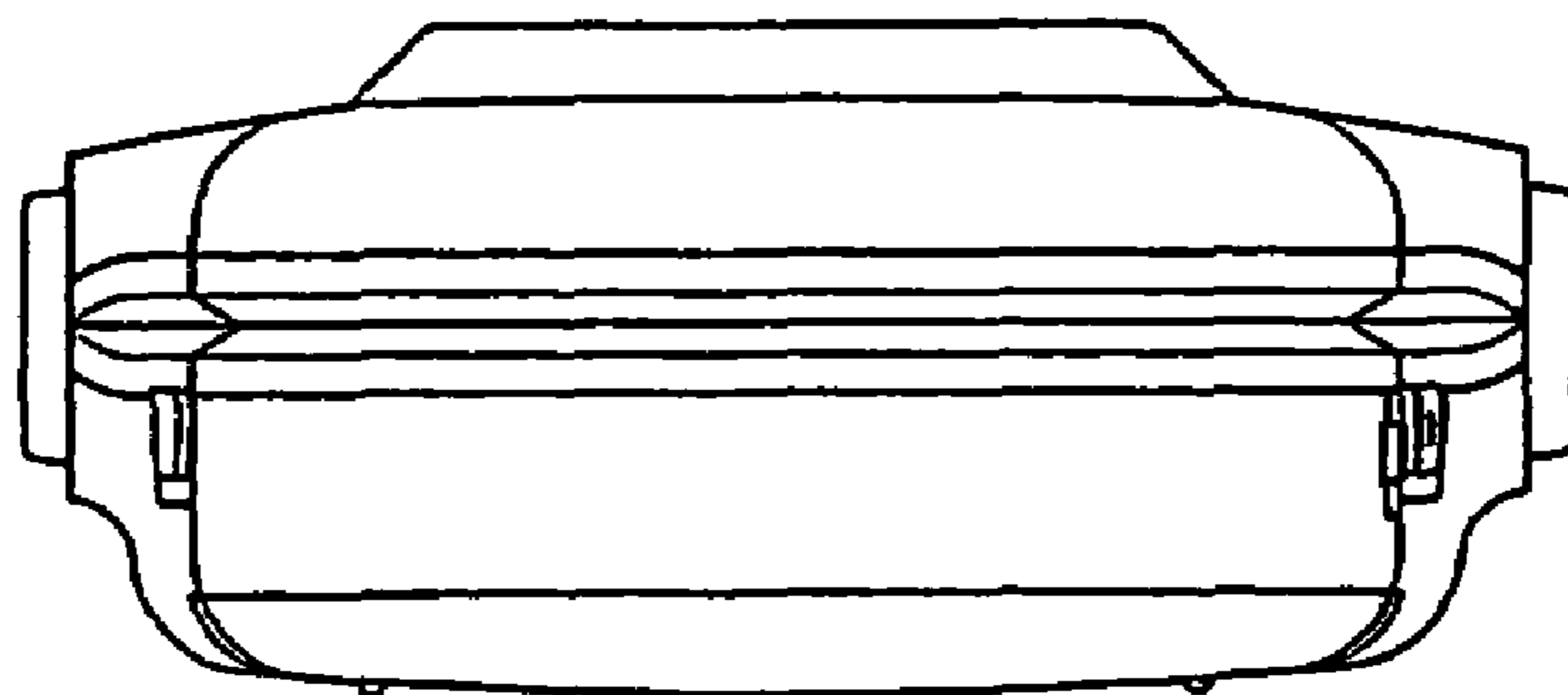


FIG. 8

