



US00D582363S

(12) **United States Design Patent**  
**Lai**

(10) **Patent No.:** **US D582,363 S**  
(45) **Date of Patent:** **\*\* Dec. 9, 2008**

(54) **SET-TOP BOX**

(75) Inventor: **Kuan-Chou Lai**, Taipei Hsien (TW)

(73) Assignee: **Hon Hai Precision Industry Co., Ltd.**,  
Tu-Cheng, Taipei Hsien (TW)

(\*\*) Term: **14 Years**

(21) Appl. No.: **29/321,608**

(22) Filed: **Jul. 21, 2008**

(30) **Foreign Application Priority Data**

Jan. 21, 2008 (CN) ..... 2008 3 0300058.3

(51) **LOC (8) Cl.** ..... **14-03**

(52) **U.S. Cl.** ..... **D14/125**

(58) **Field of Classification Search** ..... D14/125-134,  
D14/239, 371, 136, 374-377; 312/7.2; 348/836,  
348/838, 180, 184, 325, 739; 341/12; 248/917-924,  
248/465, 123.11; 345/104, 133, 156, 168,  
345/87, 173, 169; 349/1, 2, 11, 62; 720/605,  
720/669, 600, 655, 99, 197; 455/344-347  
See application file for complete search history.

(56) **References Cited**

**U.S. PATENT DOCUMENTS**

D345,970 S \* 4/1994 Kawamoto ..... D14/125  
D347,631 S \* 6/1994 Terleski ..... D14/125  
D466,875 S \* 12/2002 Kita ..... D14/125

D481,021 S \* 10/2003 Hayashi et al. .... D14/125  
D533,157 S \* 12/2006 Park ..... D14/126  
D534,507 S \* 1/2007 Tanigawa et al. .... D14/125  
7,158,380 B2 \* 1/2007 Green et al. .... 361/704  
D572,674 S \* 7/2008 Paradise ..... D14/125

\* cited by examiner

*Primary Examiner*—Raphael Barkai

*Assistant Examiner*—Randall H Gholson

(74) *Attorney, Agent, or Firm*—Frank R. Niranjan

(57) **CLAIM**

The ornamental design for a set-top box, as shown and described.

**DESCRIPTION**

FIG. 1 is a perspective view of a set-top box showing my new design;

FIG. 2 is a front elevational view thereof;

FIG. 3 is a rear elevational view thereof;

FIG. 4 is a left side elevational view thereof;

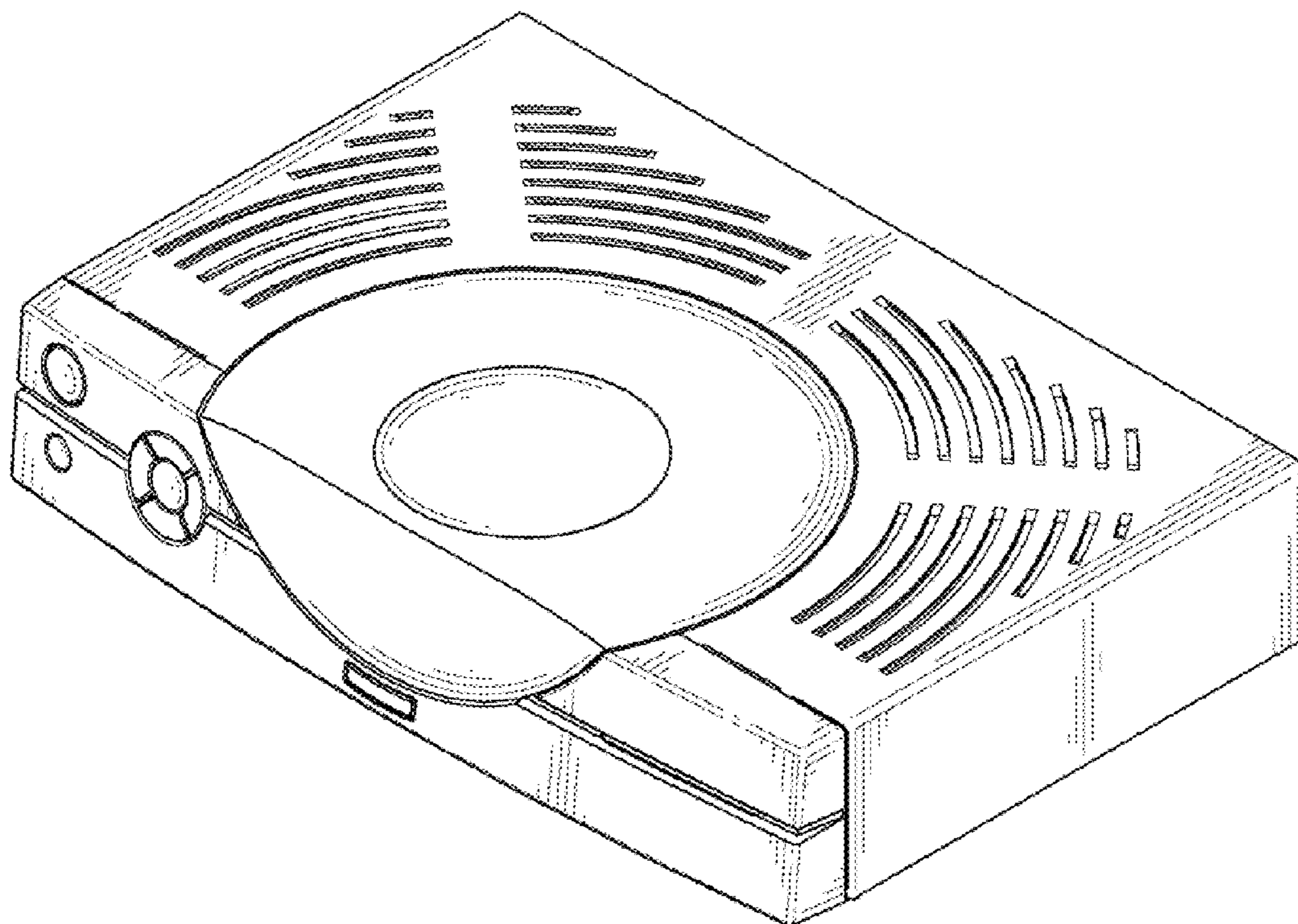
FIG. 5 is a right side elevational view thereof;

FIG. 6 is a top plan view thereof; and,

FIG. 7 is a bottom plan view thereof.

The broken lines are for illustrative purposes only and form no part of the claimed design.

**1 Claim, 7 Drawing Sheets**



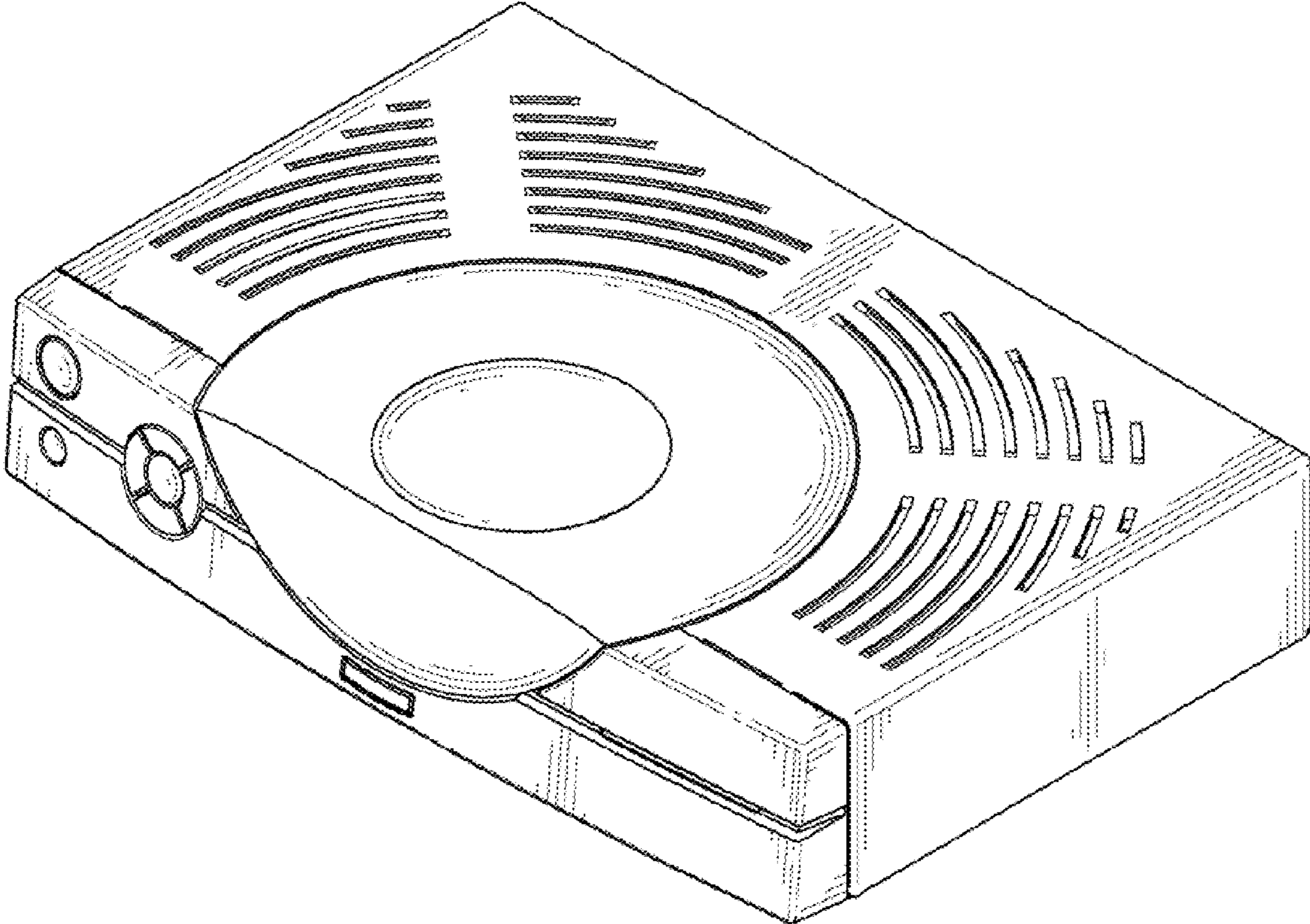


FIG. 1

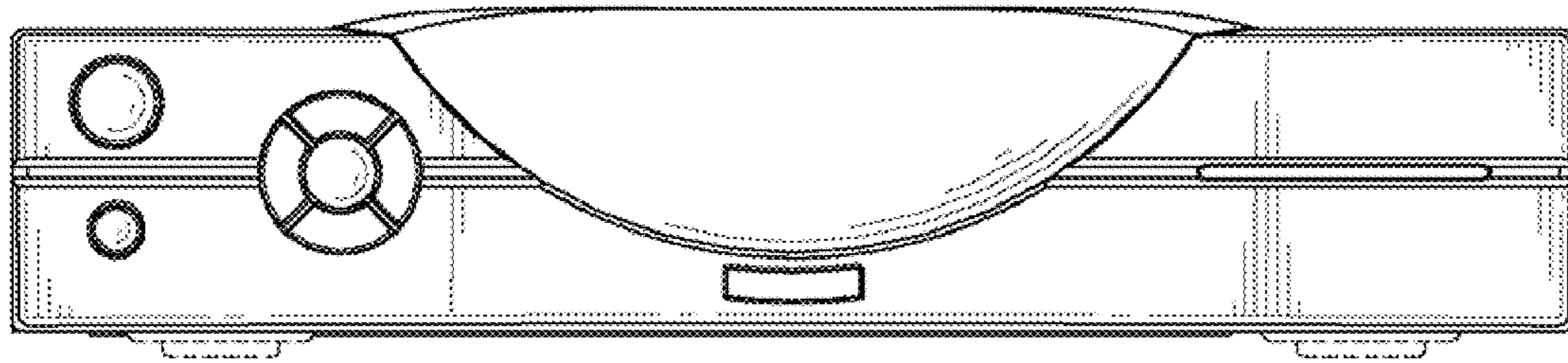


FIG. 2

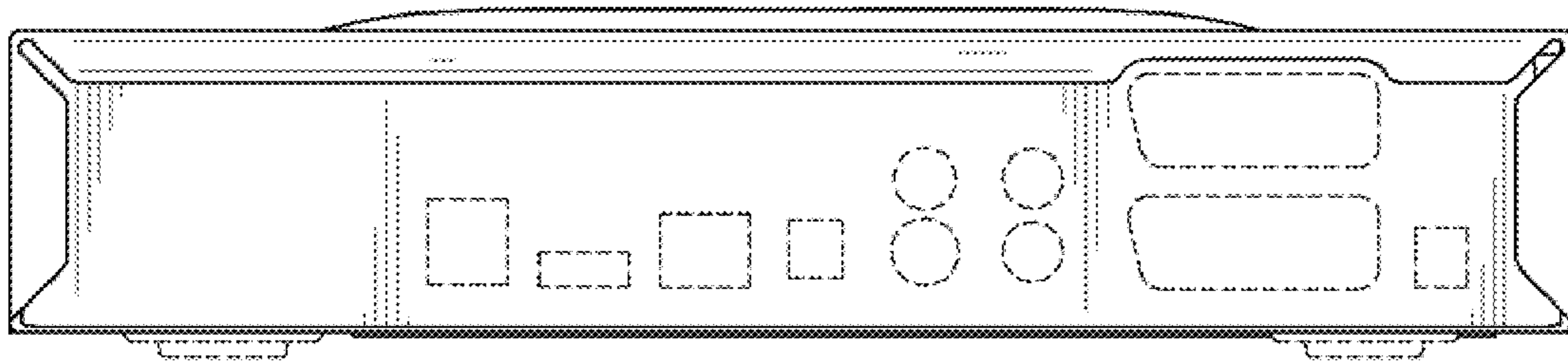


FIG. 3

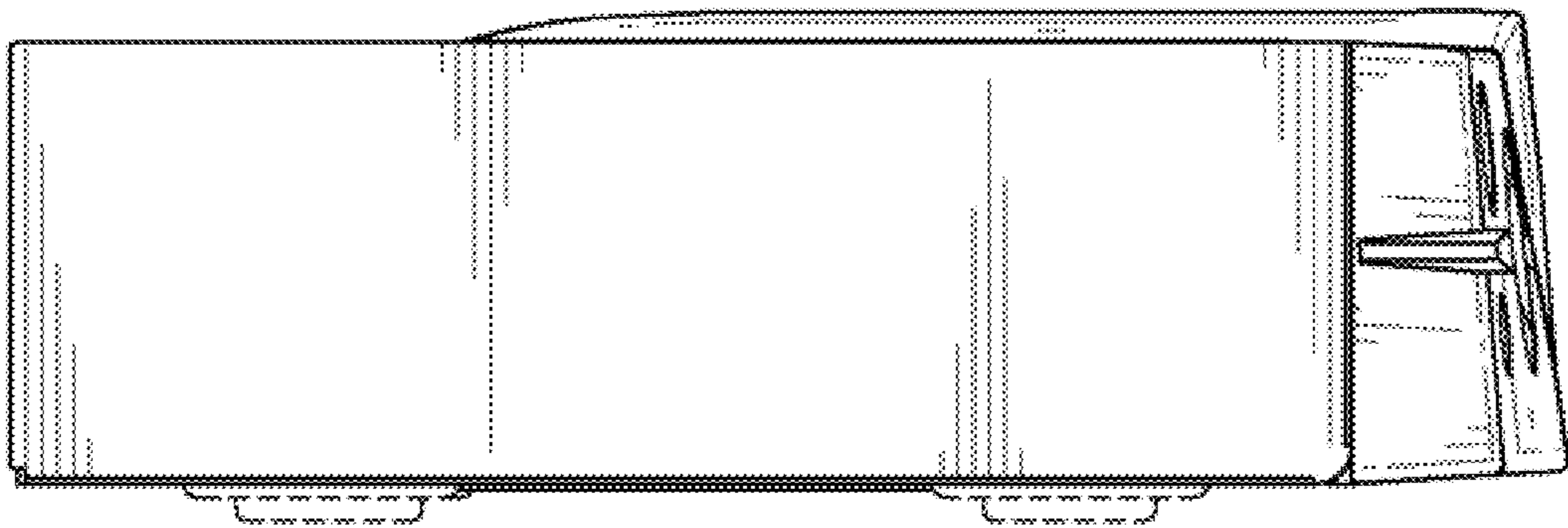


FIG. 4

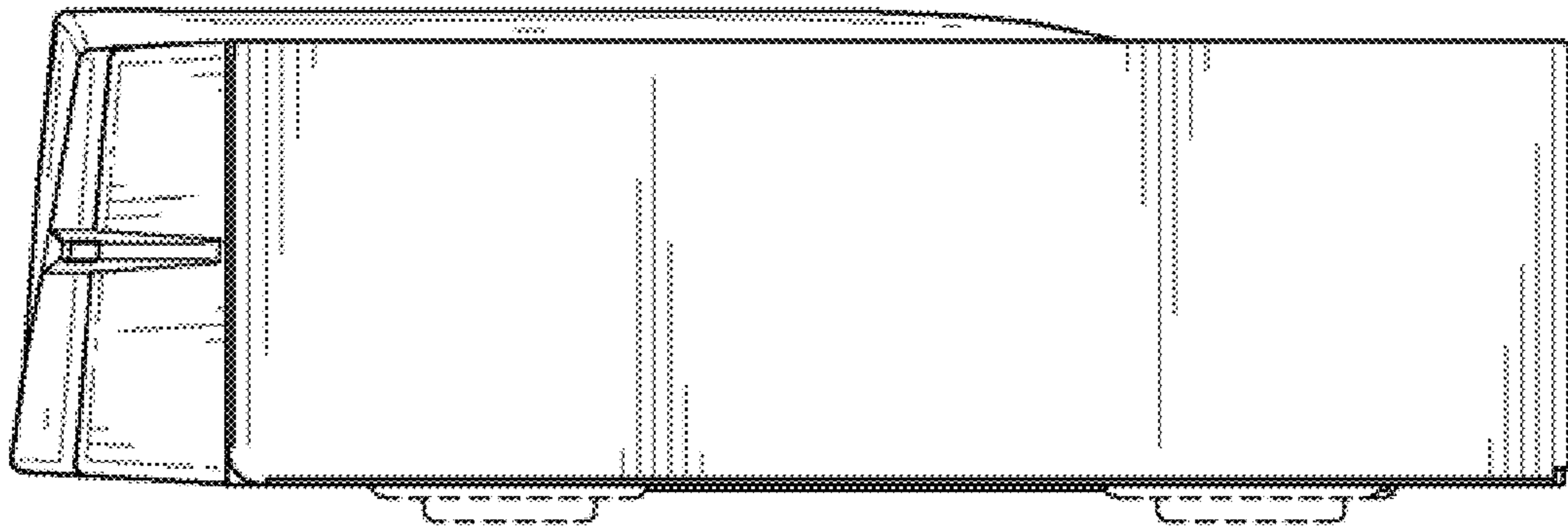


FIG. 5

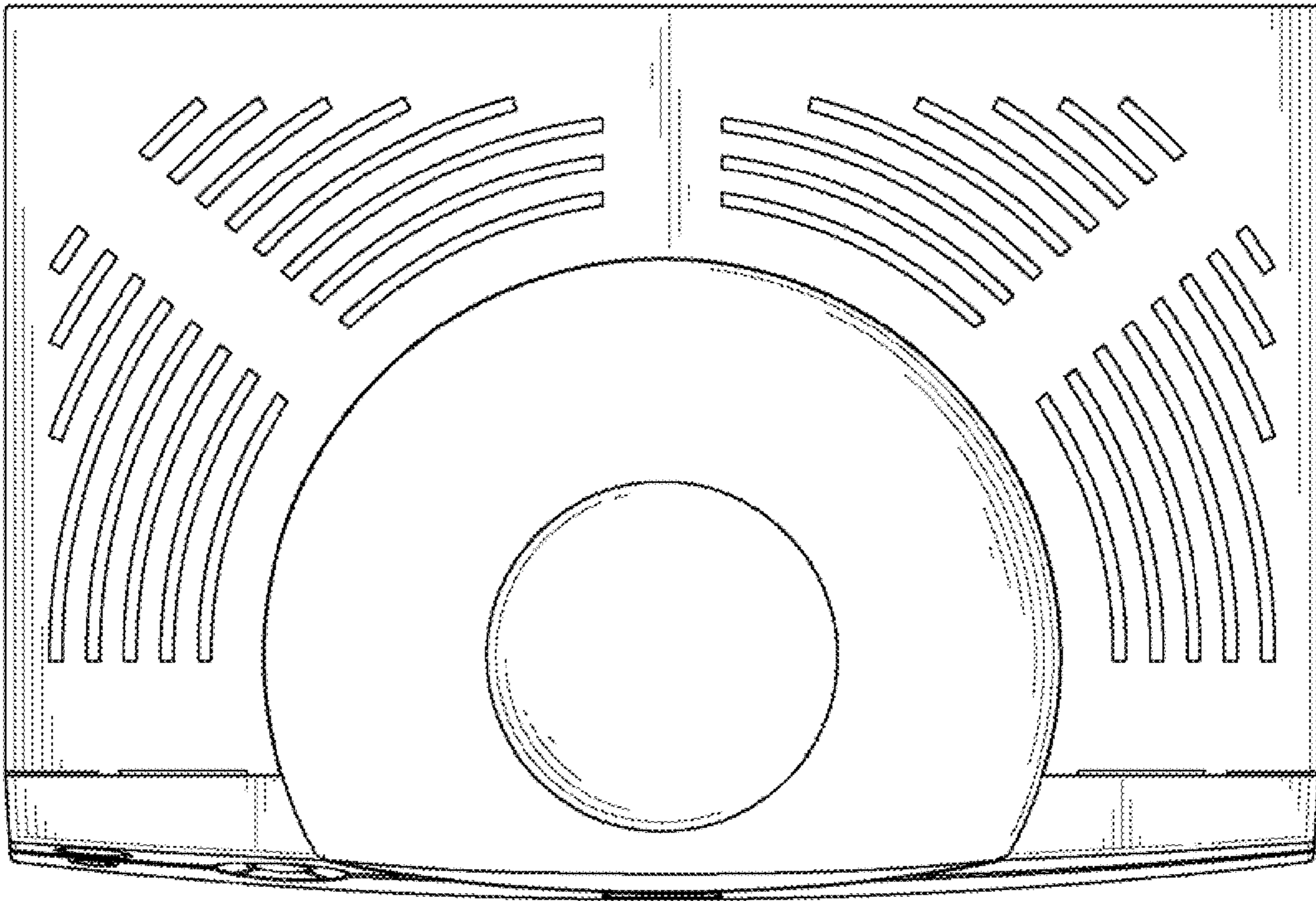


FIG. 6

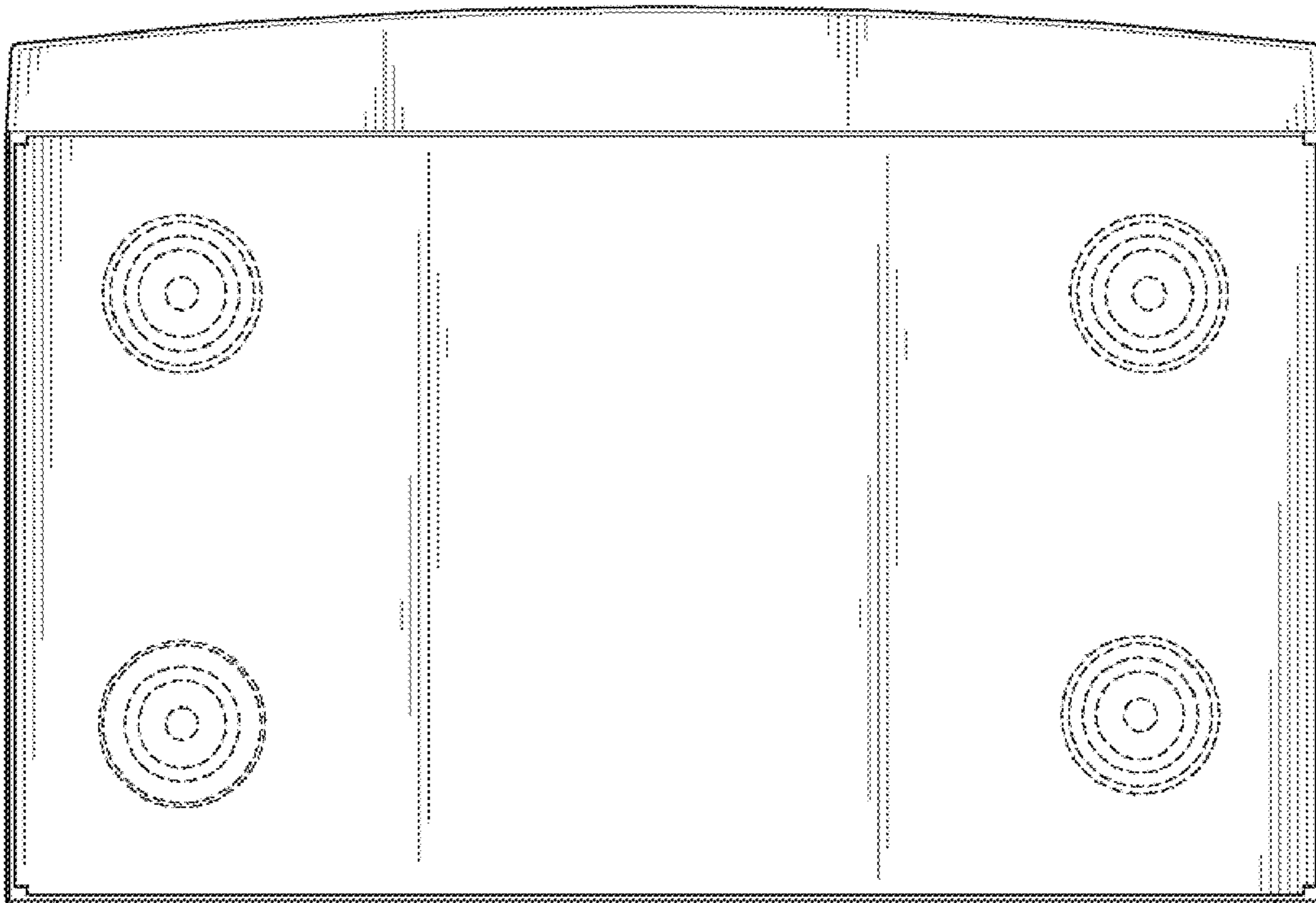


FIG. 7