



US00D582362S

(12) **United States Design Patent**
Hanafusa et al.

(10) **Patent No.:** **US D582,362 S**
(45) **Date of Patent:** **** Dec. 9, 2008**

(54) **VIDEO SERVER**

(75) Inventors: **Koichiro Hanafusa**, Kawasaki (JP);
Hideki Tsuboi, Koganei (JP)

(73) Assignee: **Kabushiki Kaisha Toshiba**, Tokyo (JP)

(**) Term: **14 Years**

(21) Appl. No.: **29/304,966**

(22) Filed: **Mar. 11, 2008**

(30) **Foreign Application Priority Data**

Oct. 31, 2007 (JP) 2007-030052

(51) **LOC (8) Cl.** **14-03**

(52) **U.S. Cl.** **D14/125**

(58) **Field of Classification Search** D14/125-134,
D14/220-239, 371, 135, 136, 155, 374-377,
D14/138, 299, 358, 492, 356, 361-363, 365,
D14/496; 312/7.2, 208.1-223.2; 348/836,
348/838, 180, 184, 325, 739, 10, 460; 341/12;
248/917-924, 465, 123.11, 121, 122.1, 124.1,
248/441.1, 454, 455; 345/104, 133, 156,
345/168, 87, 173, 169; 349/1, 2, 11, 62;
720/605, 669, 600, 655, 99, 197; 455/344-347;
361/681, 683; 368/12; D12/421, 415
See application file for complete search history.

(56) **References Cited**

U.S. PATENT DOCUMENTS

- D322,065 S * 12/1991 Ziebarth D14/129
- D328,747 S * 8/1992 Ito et al. D14/188
- D349,719 S * 8/1994 Ohta D17/9
- D375,488 S 11/1996 Ikenaga
- D403,668 S 1/1999 Parent
- D412,172 S * 7/1999 Uchiyama D14/156
- D425,033 S 5/2000 Hibino
- D436,093 S 1/2001 Okada et al.
- 6,519,416 B1 * 2/2003 Choi et al. 386/117
- D486,822 S 2/2004 Itou et al.

- D487,436 S * 3/2004 Miyazaki D14/136
- 6,801,708 B1 10/2004 Takahashi et al.
- D534,202 S 12/2006 Broyles, Jr.
- D549,701 S * 8/2007 Seo et al. D14/348
- D553,641 S 10/2007 Williamson et al.
- D556,777 S 12/2007 Hussaini et al.
- D560,689 S * 1/2008 Cho D14/496
- D564,498 S 3/2008 Shimizu
- D565,061 S 3/2008 Tsuboi

FOREIGN PATENT DOCUMENTS

- JP 949056 3/1996
- JP 984705 7/1997
- JP 1164093 1/2003
- KR 30-0441327 2/2007

* cited by examiner

Primary Examiner—Raphael Barkai

Assistant Examiner—Randall H Gholson

(74) *Attorney, Agent, or Firm*—Banner & Witcoff, Ltd.

(57) **CLAIM**

The ornamental design for a video server, as shown and described.

DESCRIPTION

FIG. 1 is a top, front and right side perspective view of a video server showing our new design,

FIG. 2 is a front elevational view thereof,

FIG. 3 is a rear elevational view thereof,

FIG. 4 is a left side elevational view thereof,

FIG. 5 is a right side elevational view thereof

FIG. 6 is a top plan view thereof,

FIG. 7 is a bottom plan view thereof,

FIG. 8 is a front elevational view showing the video server with the lower panel being turned upward thereof; and,

FIG. 9 is a right side elevational view showing the video server with the lower panel being turned upward thereof.

1 Claim, 5 Drawing Sheets

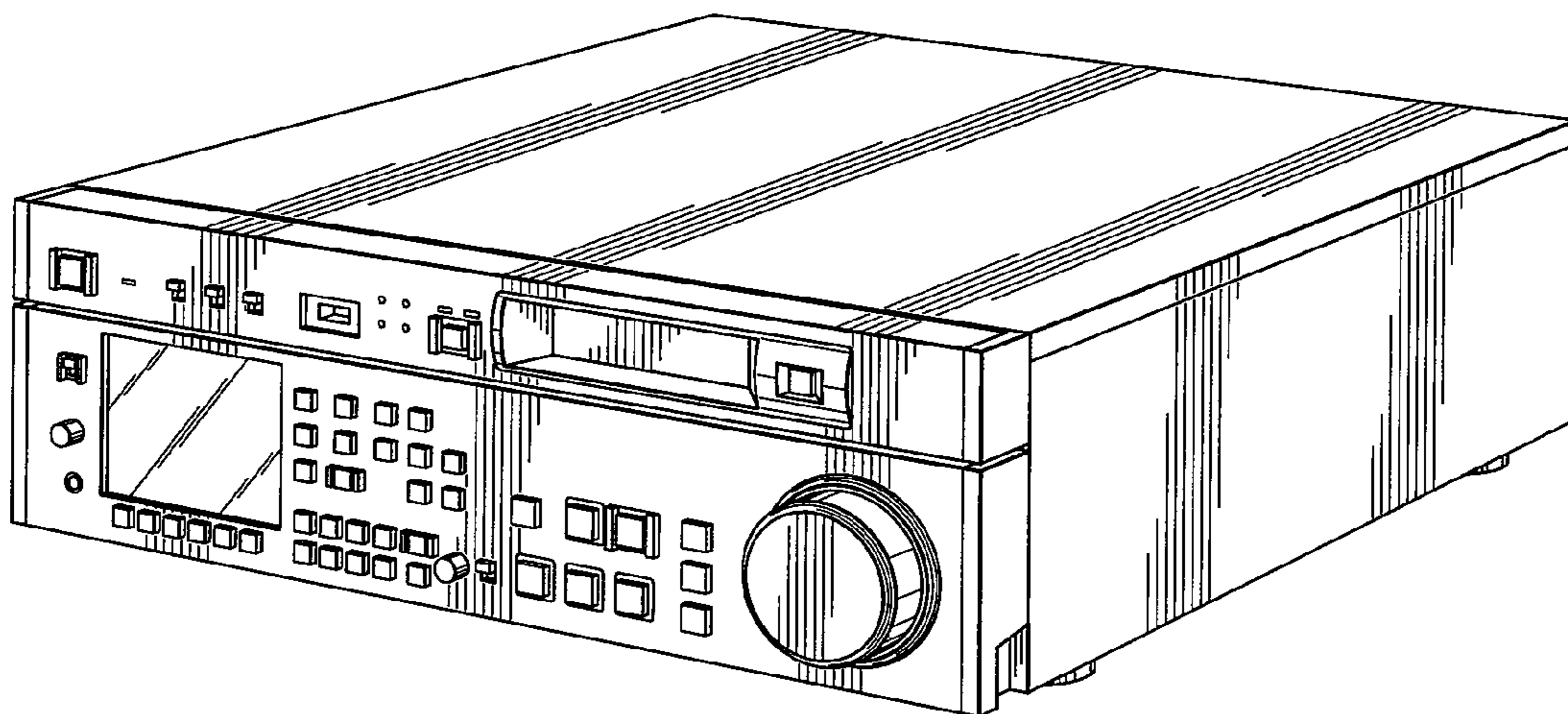


FIG. 1

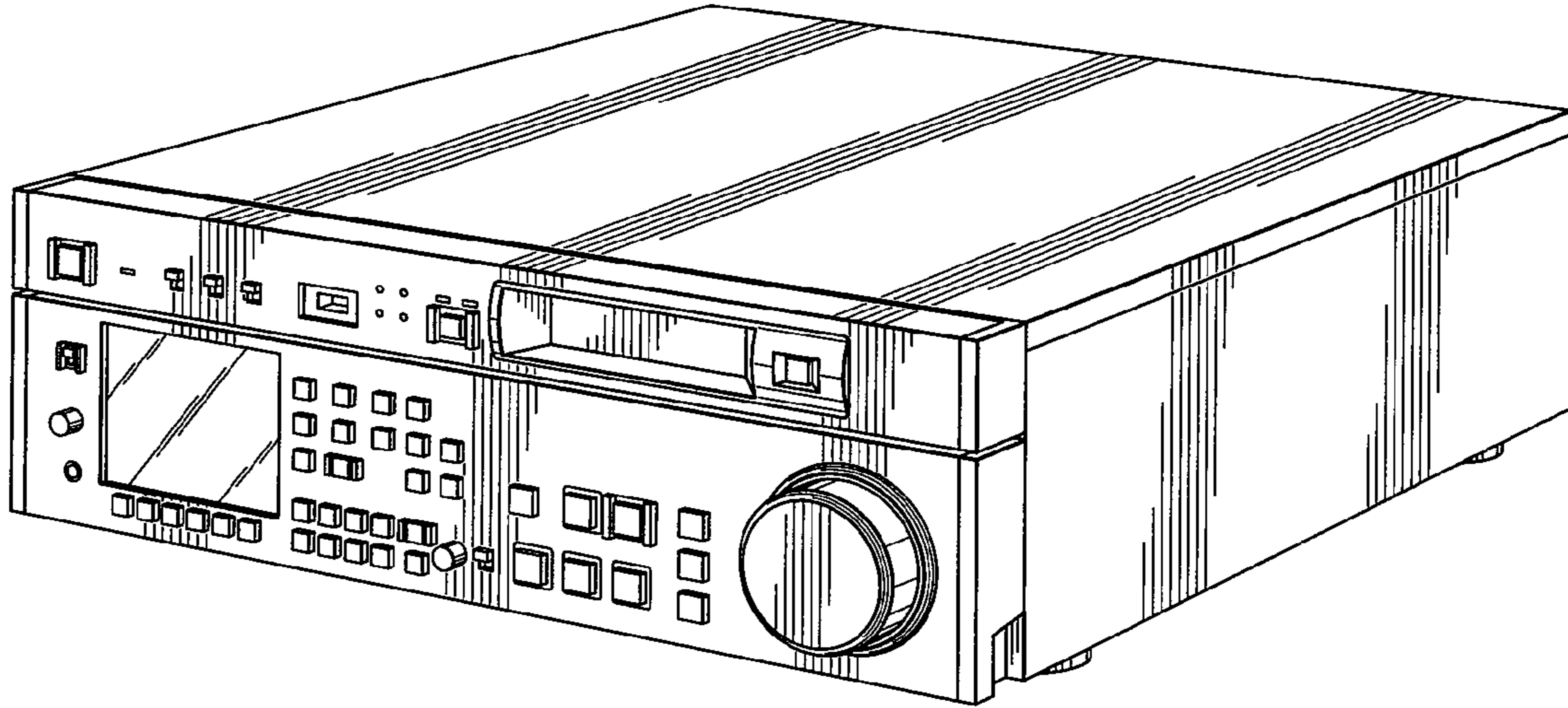


FIG. 2

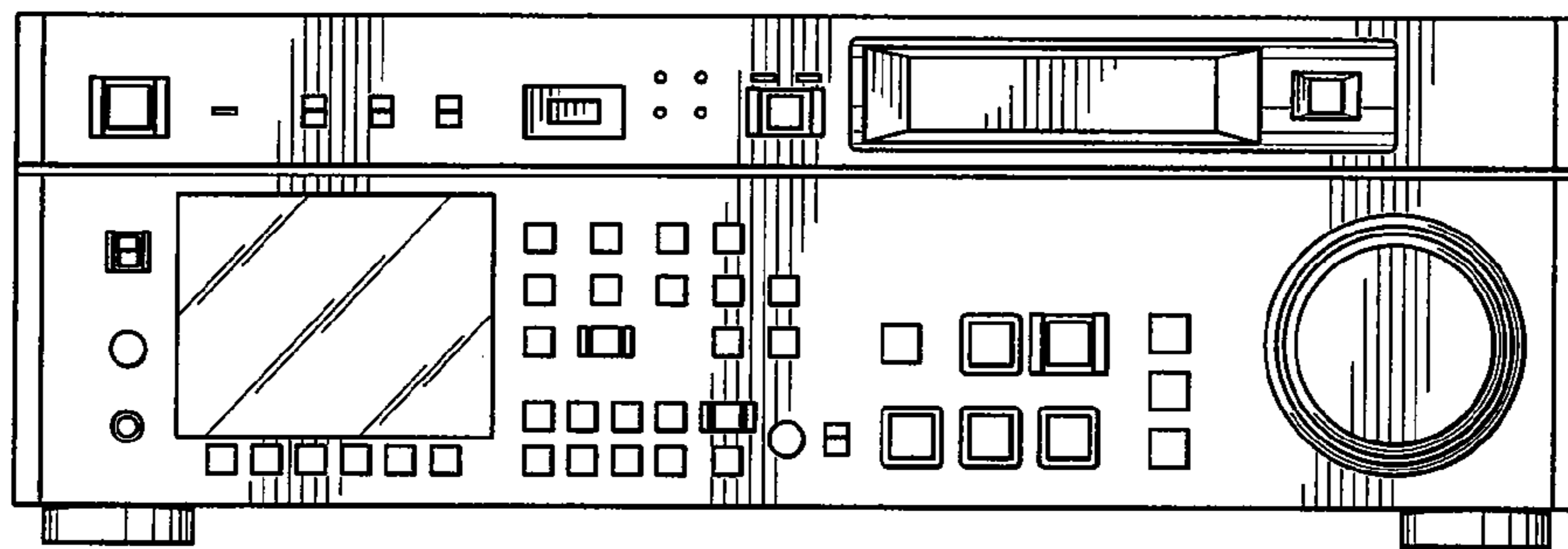


FIG. 3

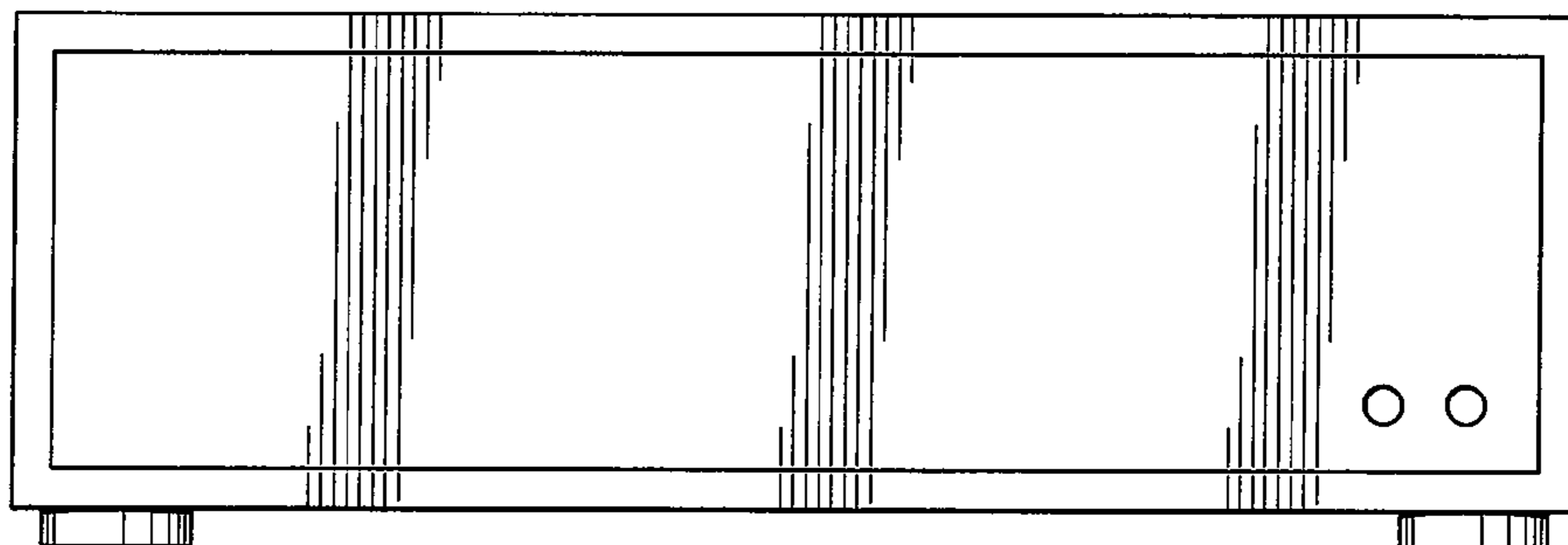


FIG. 4

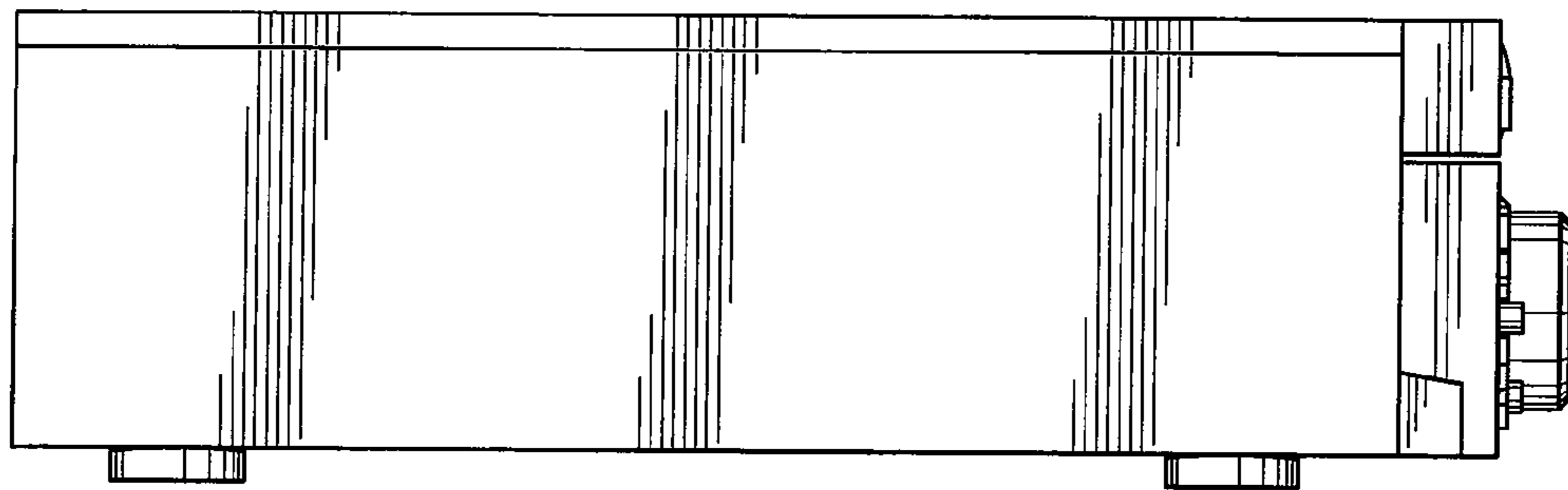


FIG. 5

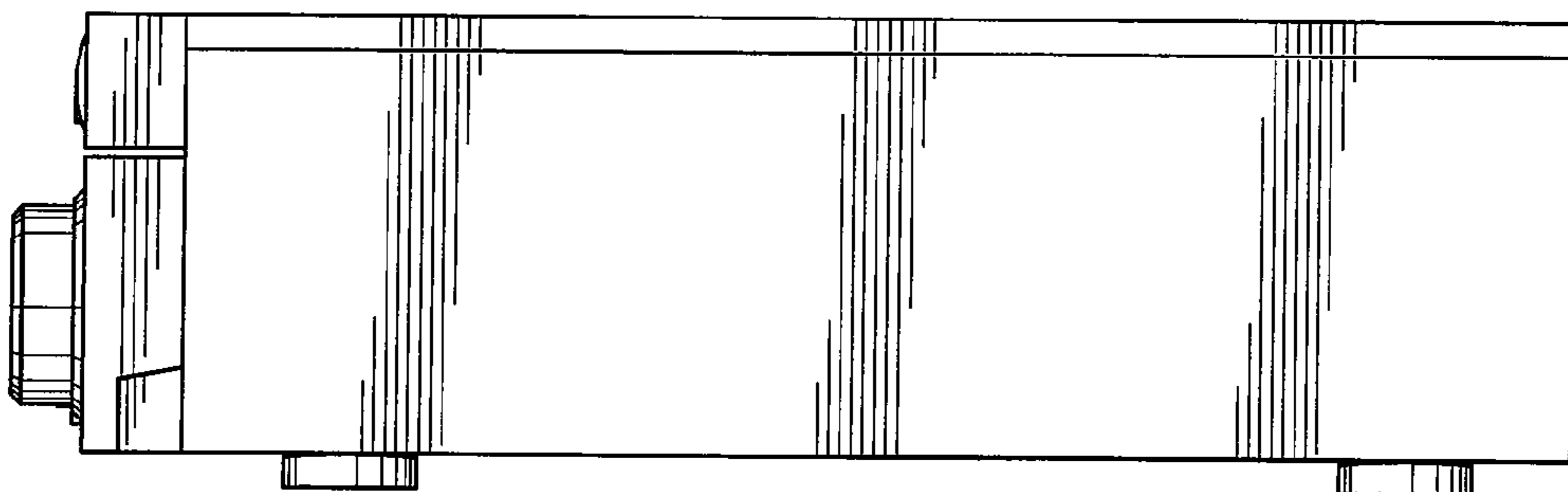


FIG. 6

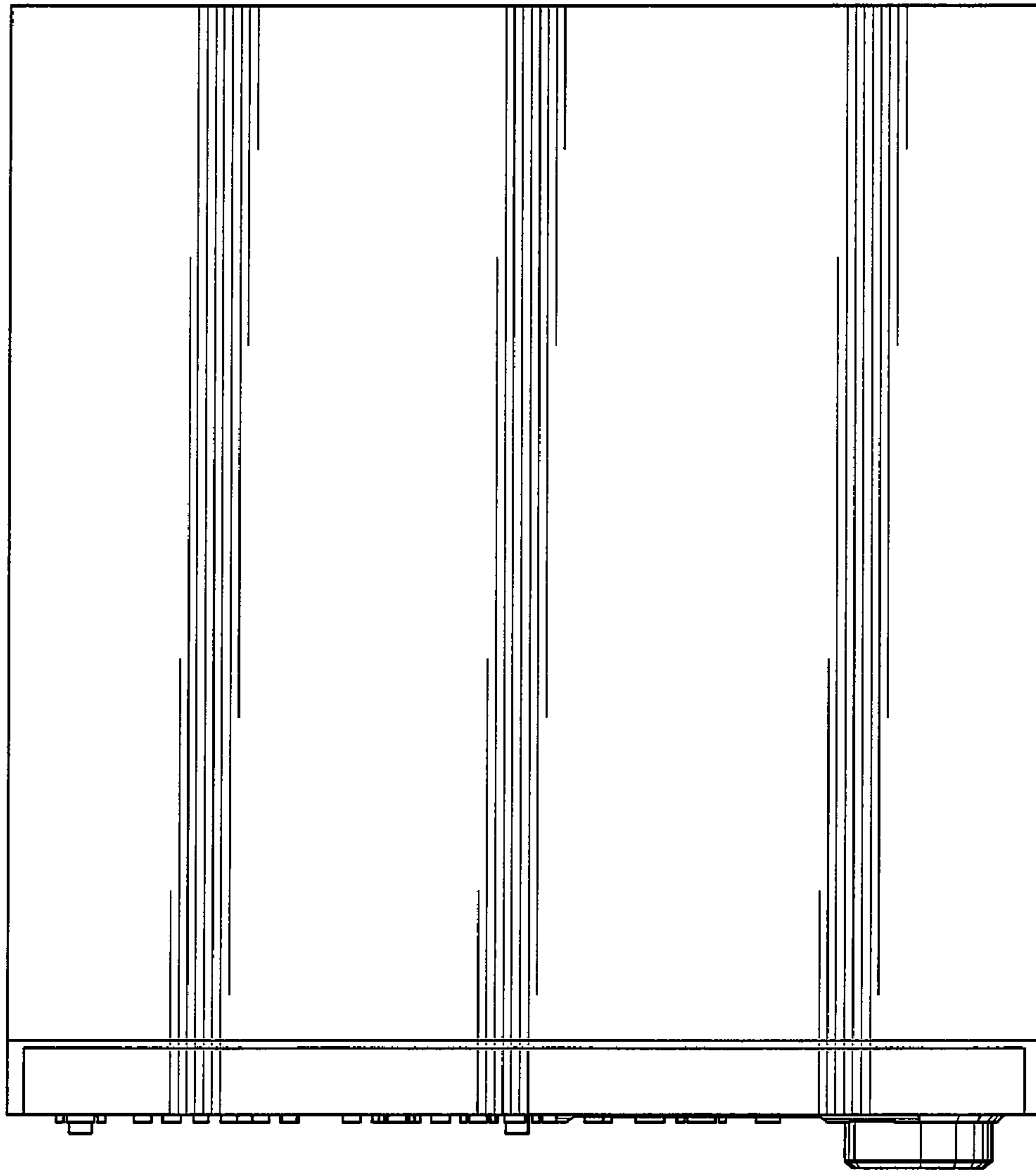


FIG. 7

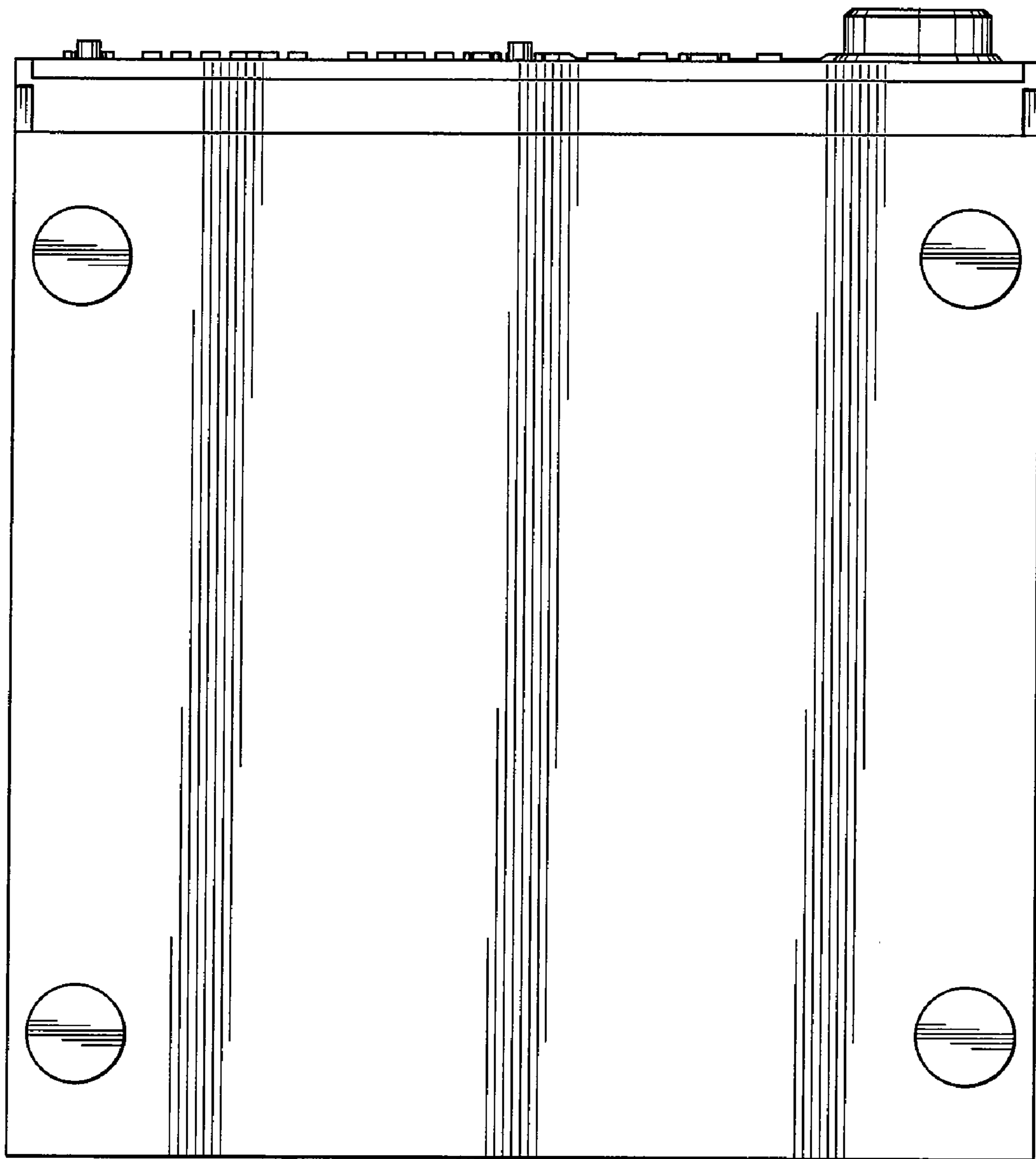


FIG. 8

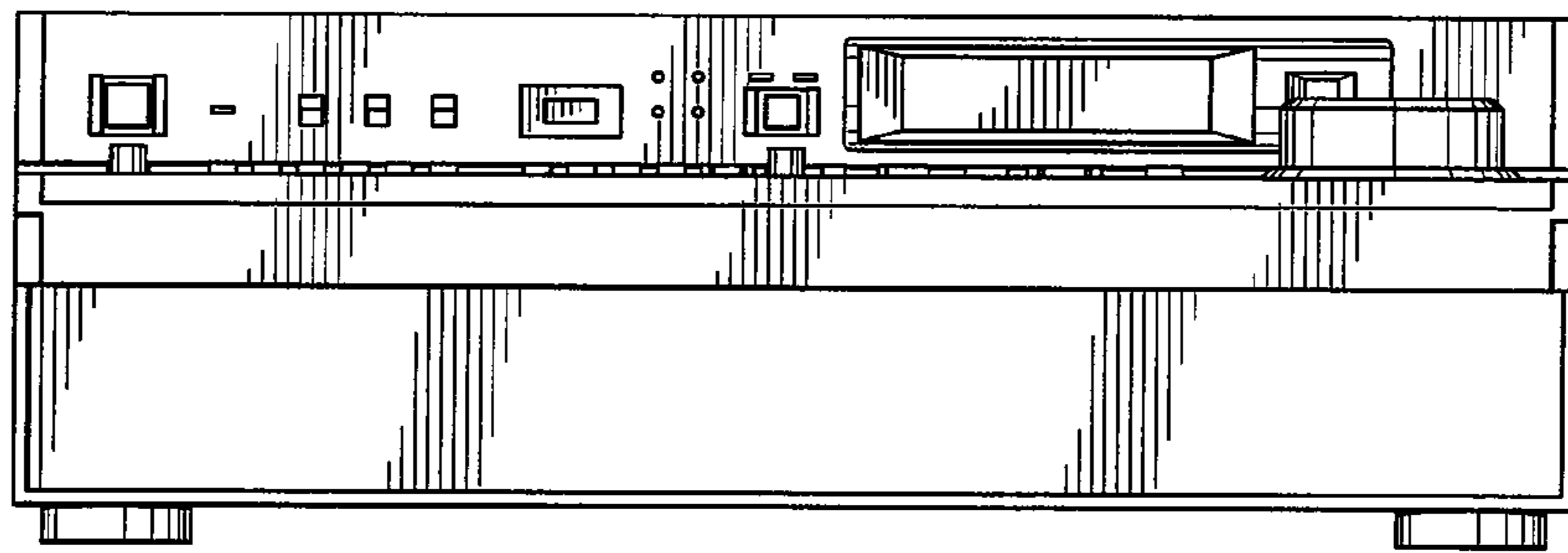


FIG. 9

