



US00D582361S

(12) **United States Design Patent**
Yen

(10) **Patent No.:** **US D582,361 S**

(45) **Date of Patent:** **** Dec. 9, 2008**

(54) **LIGHT EMITTING DIODE DEVICE**

(75) Inventor: **Jui-Kang Yen**, Taipei (TW)

(73) Assignee: **Semi-Photonics Co., Ltd.**, Chu-nan (TW)

(**) Term: **14 Years**

(21) Appl. No.: **29/284,250**

(22) Filed: **Sep. 4, 2007**

Related U.S. Application Data

(63) Continuation-in-part of application No. 29/246,446, filed on Apr. 12, 2006, now Pat. No. Des. 555,114.

(51) **LOC (8) Cl.** **13-03**

(52) **U.S. Cl.** **D13/180**

(58) **Field of Classification Search** D13/180;
D26/2; 257/79, 80, 81, 88, 89, 95, 98, 99,
257/100; 313/483, 498, 500; 362/555, 800
See application file for complete search history.

(56) **References Cited**

U.S. PATENT DOCUMENTS

6,501,103	B1 *	12/2002	Jory et al.	257/100
D477,580	S *	7/2003	Kamada	D13/182
D491,899	S *	6/2004	Yagi	D13/180
D505,398	S *	5/2005	Nakashima	D13/180
D512,694	S *	12/2005	Kim et al.	D13/180
D555,113	S *	11/2007	Yen	D13/180
D555,114	S *	11/2007	Yen	13/180
7,321,161	B2 *	1/2008	Teixeira et al.	257/675
2003/0025117	A1 *	2/2003	Isokawa et al.	257/79
2006/0198162	A1 *	9/2006	Ishidu et al.	362/623
2006/0292747	A1 *	12/2006	Loh	438/116

2007/0080354	A1 *	4/2007	Lin et al.	257/79
2007/0120135	A1 *	5/2007	Soules et al.	257/98
2007/0241342	A1 *	10/2007	Inoue et al.	257/79
2007/0262328	A1 *	11/2007	Bando	257/79
2008/0001160	A1 *	1/2008	Andrews	257/79
2008/0044934	A1 *	2/2008	Loh et al.	438/21

* cited by examiner

Primary Examiner—Selina Sikder

(74) *Attorney, Agent, or Firm*—Patterson & Sheridan, LLP

(57) **CLAIM**

The ornamental design for a light emitting diode device, as shown and described.

DESCRIPTION

FIGS. 1–4 are perspective views of light emitting diode devices, depicting different optional features of my new design.

FIG. 5 is a top view of FIGS. 1 and 2.

FIG. 6 is a top view of FIGS. 3 and 4.

FIG. 7 is a front side view of FIGS. 1 and 3.

FIG. 8 is a front side view of FIGS. 2 and 4.

FIG. 9 is a back side view of FIG. 1.

FIG. 10 is a back side view of FIG. 2.

FIG. 11 is a back side view of FIG. 3.

FIG. 12 is a back side view of FIG. 4.

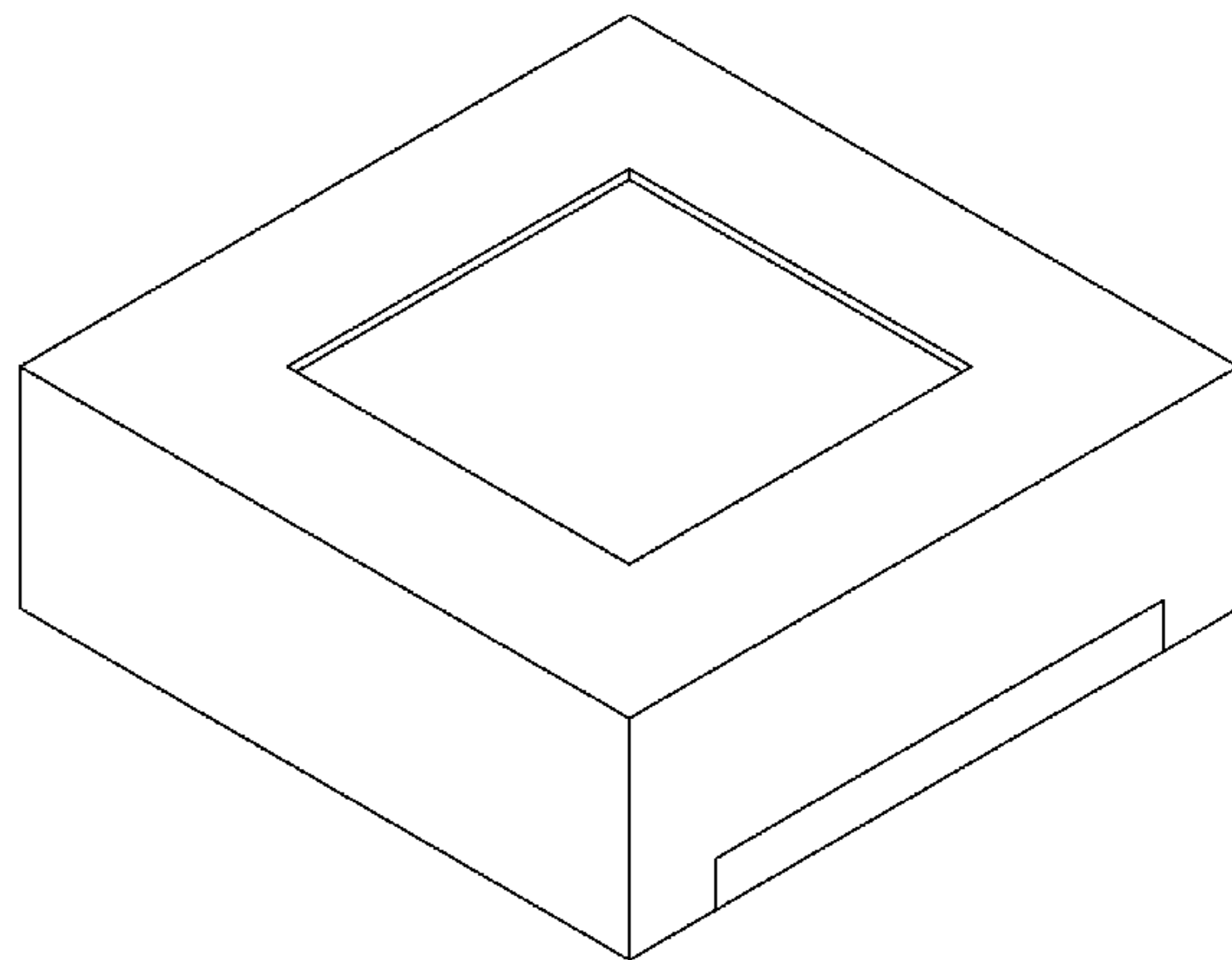
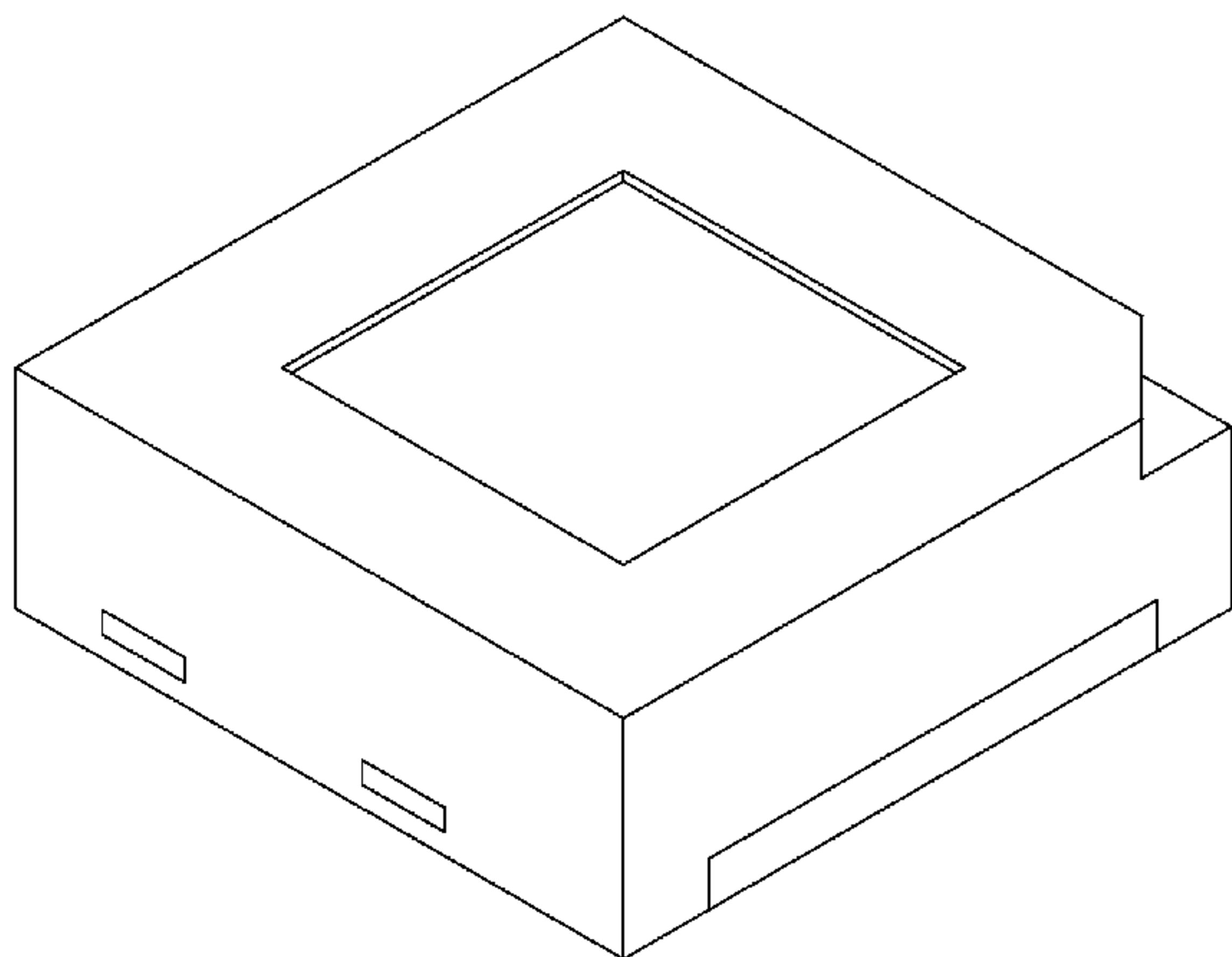
FIG. 13 is a right side view of FIGS. 1–4.

FIG. 14 is a left side view of FIGS. 1 and 2.

FIG. 15 is a left side view of FIGS. 3 and 4; and,

FIG. 16 is a bottom view of FIGS. 1–4.

1 Claim, 11 Drawing Sheets



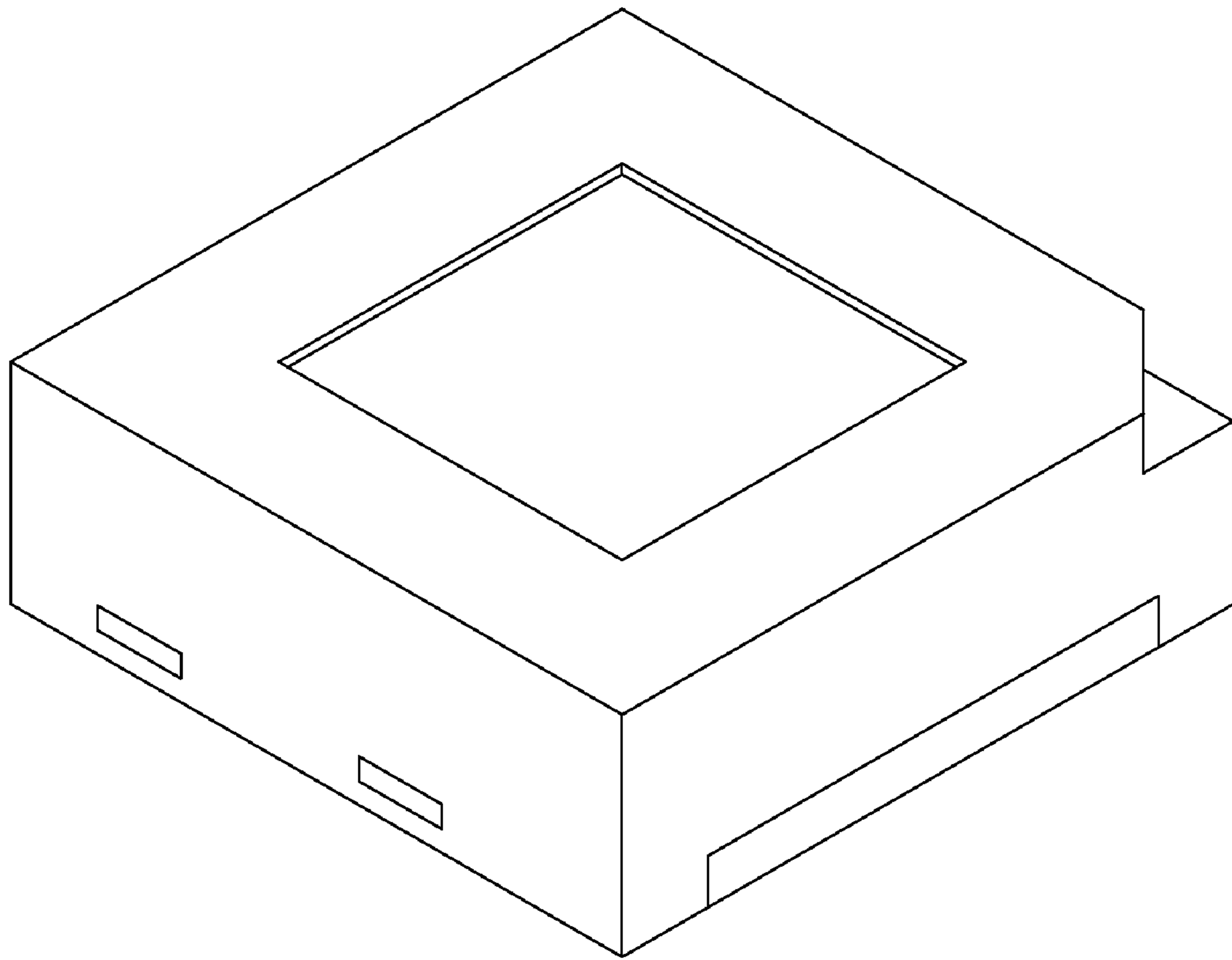


FIG. 1

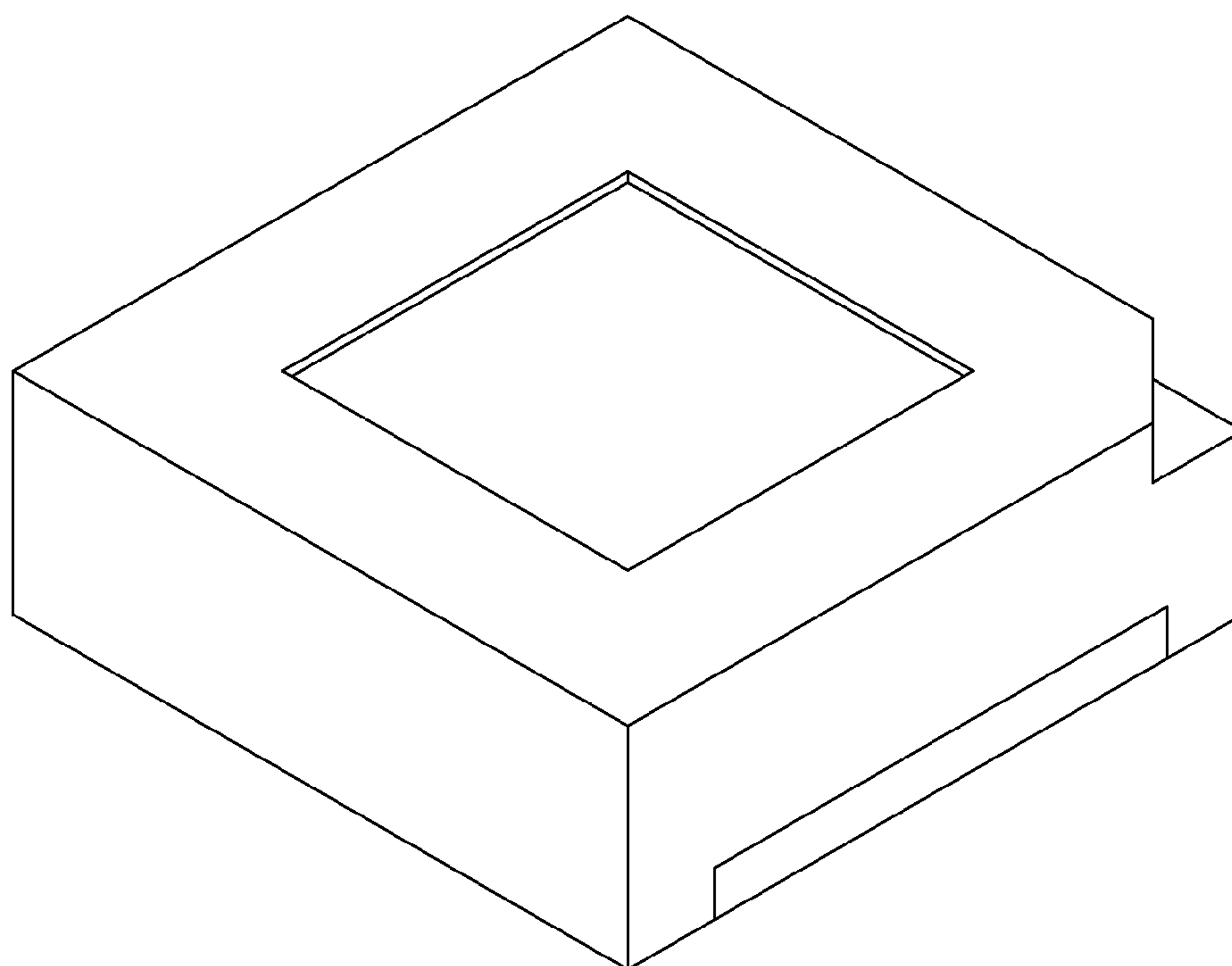


FIG. 2

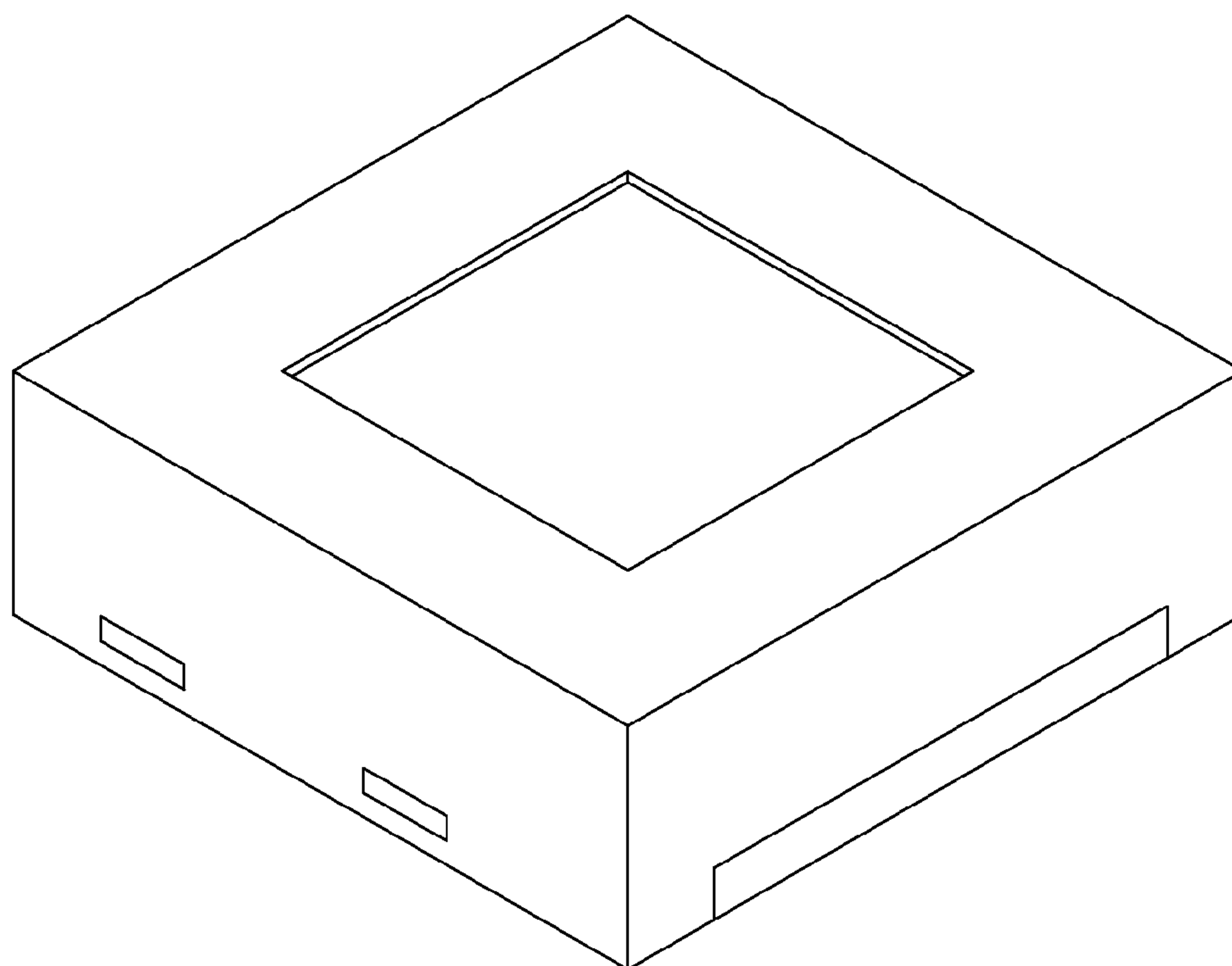


FIG. 3

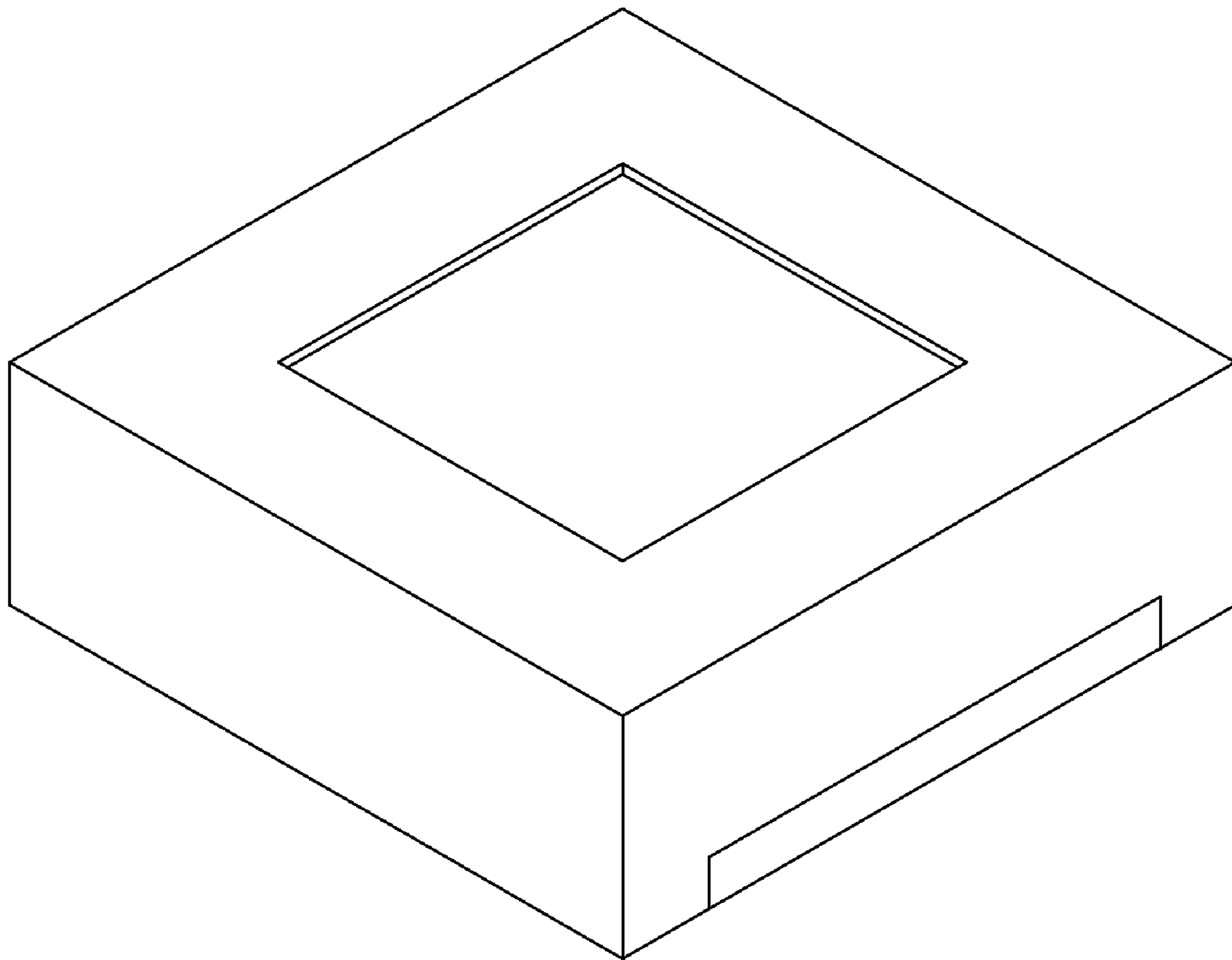


FIG. 4

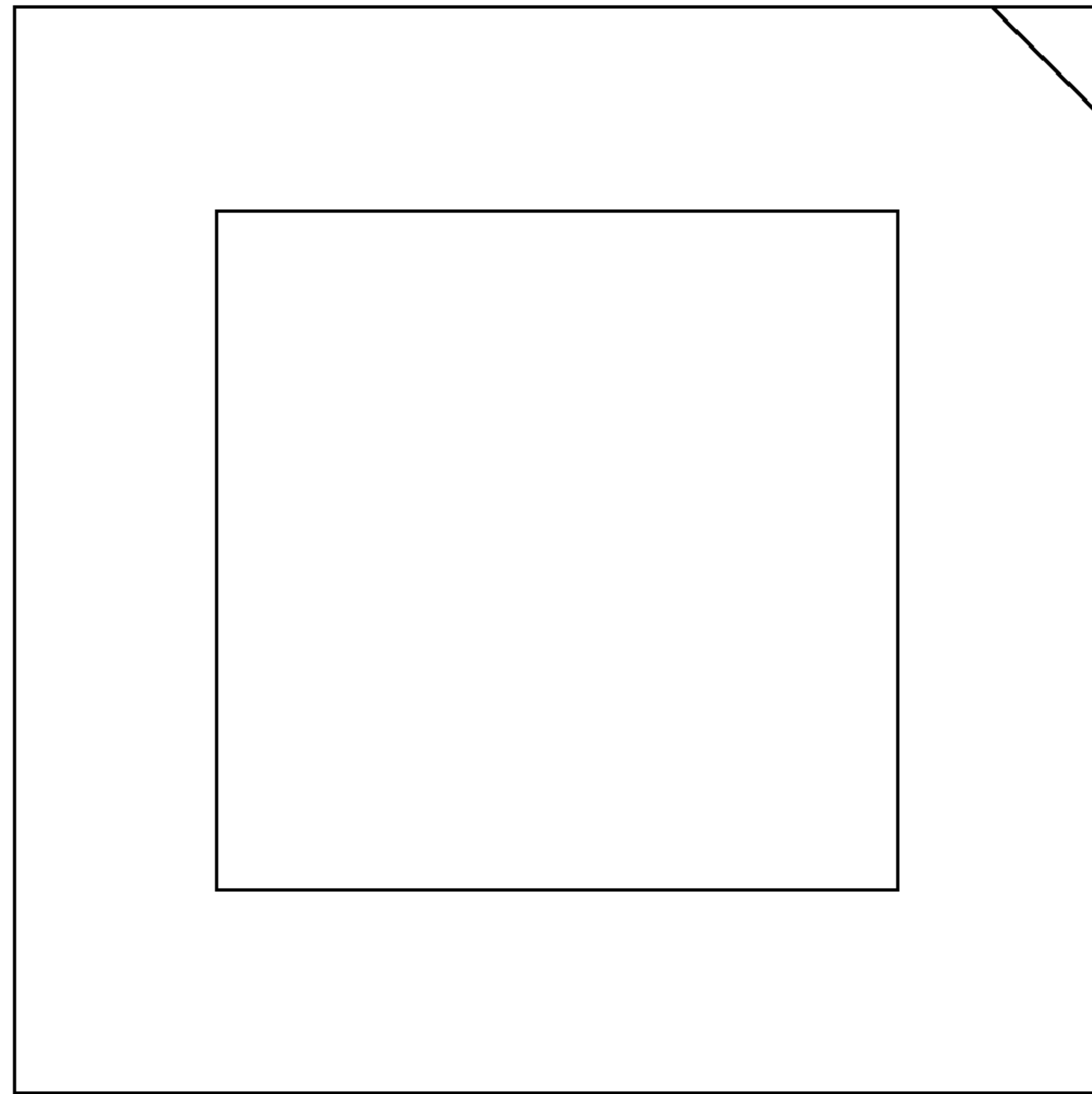


FIG. 5

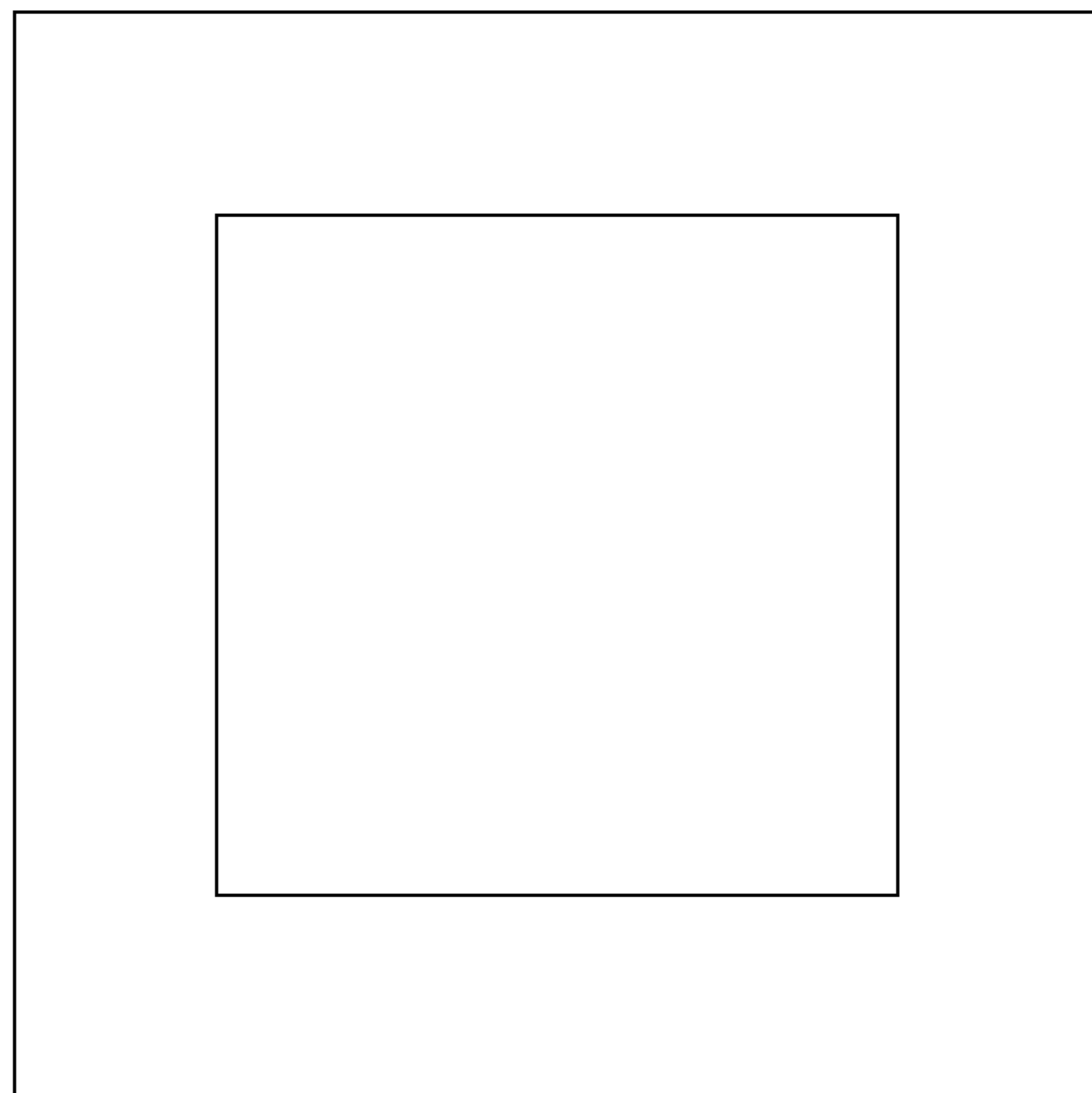


FIG. 6

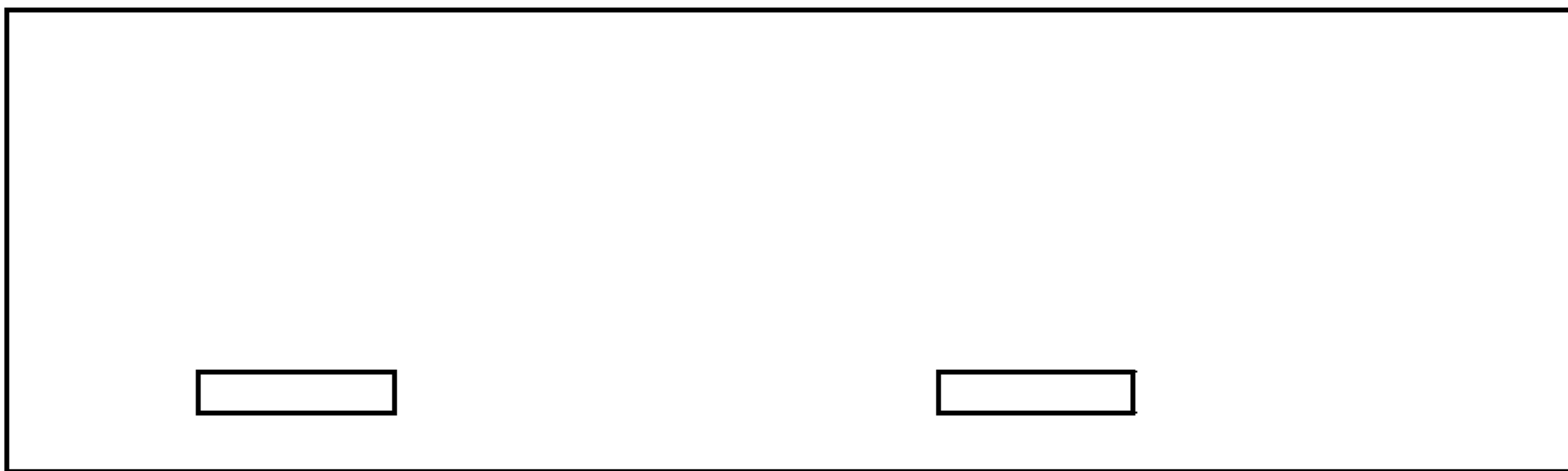


FIG. 7

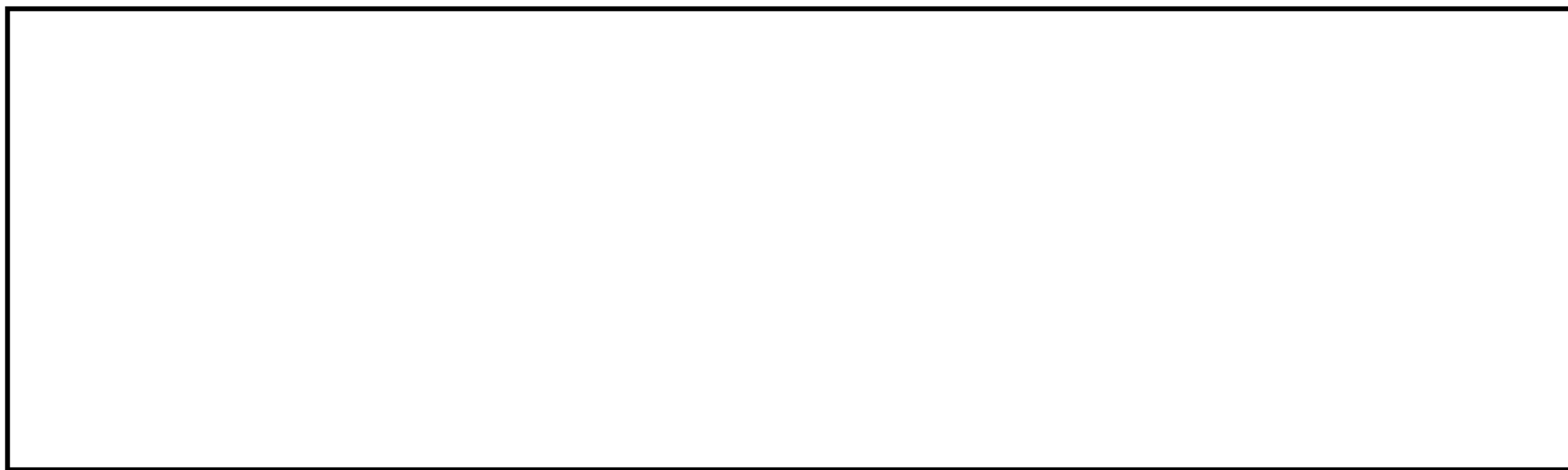


FIG. 8

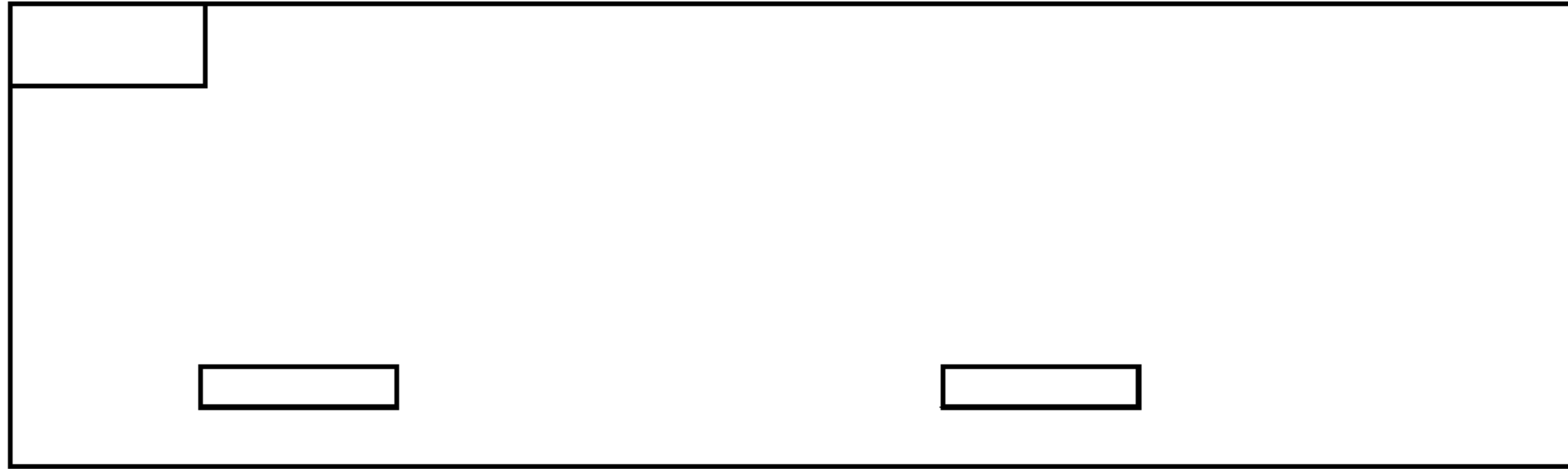


FIG. 9



FIG. 10

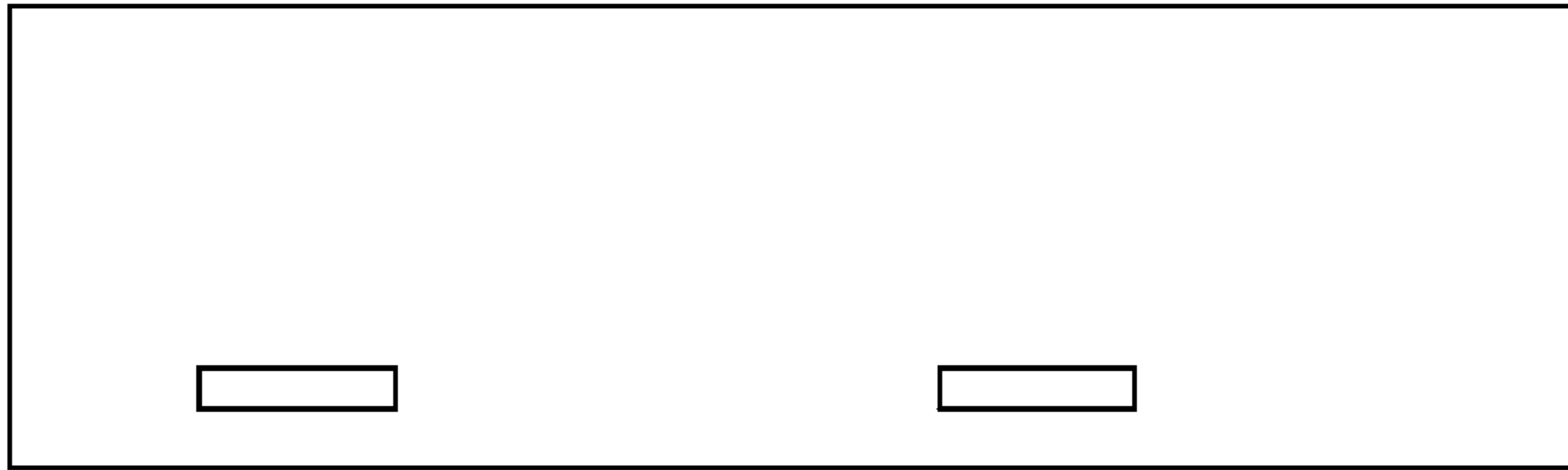


FIG. 11



FIG. 12



FIG. 13



FIG. 14



FIG. 15

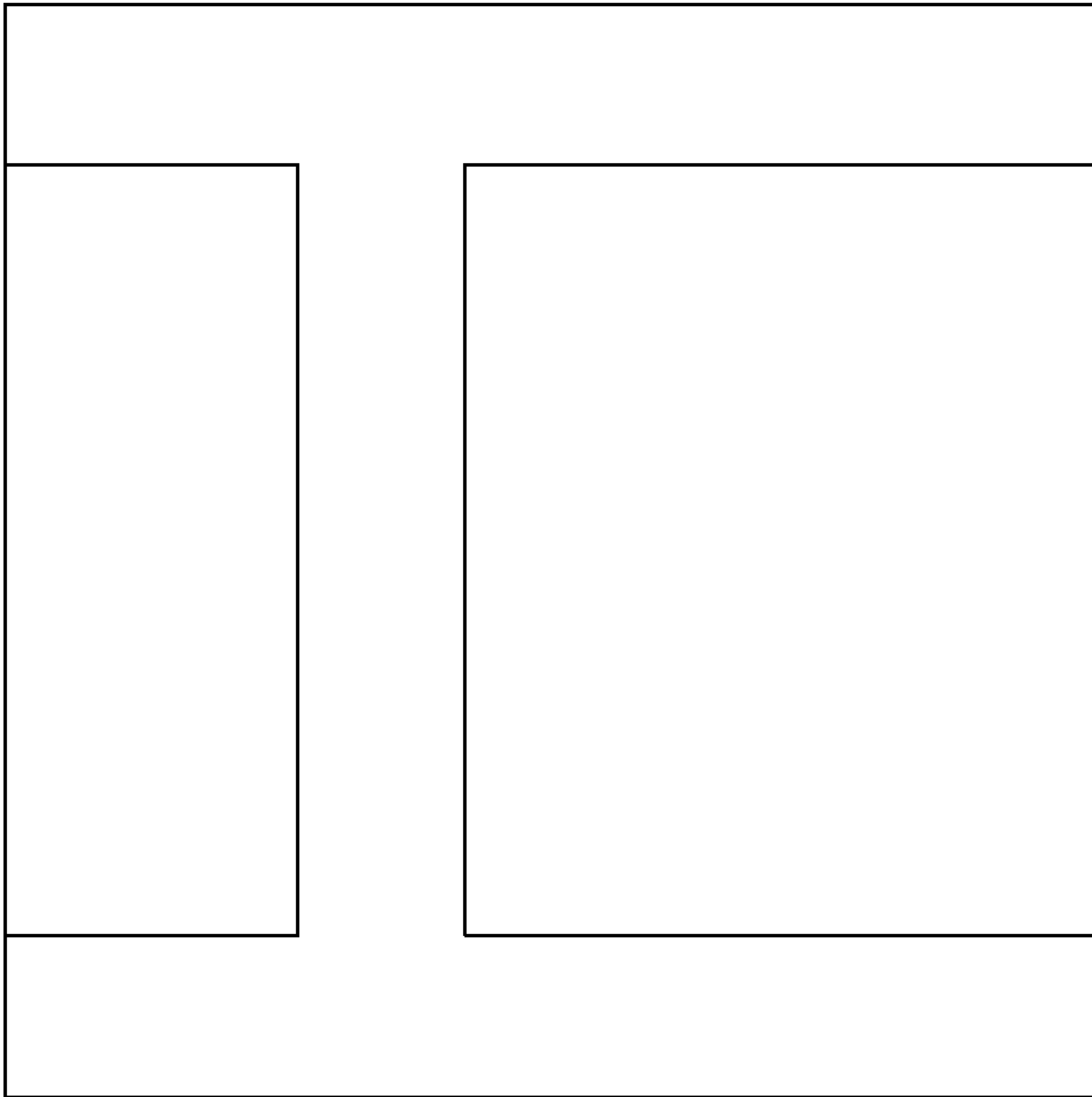


FIG. 16