



US00D582359S

(12) **United States Design Patent**
Chang

(10) **Patent No.:** **US D582,359 S**
(45) **Date of Patent:** **** Dec. 9, 2008**

(54) **HEAT DISSIPATOR**
(75) Inventor: **Cheng-Yi Chang**, Chung-Ho (TW)
(73) Assignee: **Cooler Master Co., Ltd.**, Taipei (TW)
(**) Term: **14 Years**
(21) Appl. No.: **29/320,657**
(22) Filed: **Jul. 1, 2008**
(30) **Foreign Application Priority Data**
Jan. 7, 2008 (TW) 97300088

2007/0254584 A1* 11/2007 Chang et al. 454/233
2007/0277958 A1* 12/2007 Huang 165/80.3
2008/0089033 A1* 4/2008 Lu et al. 361/720

* cited by examiner

Primary Examiner—Robert M Spear
Assistant Examiner—Ania K. Dworzecka

(57) **CLAIM**

The ornamental design for a heat dissipator, as shown and described.

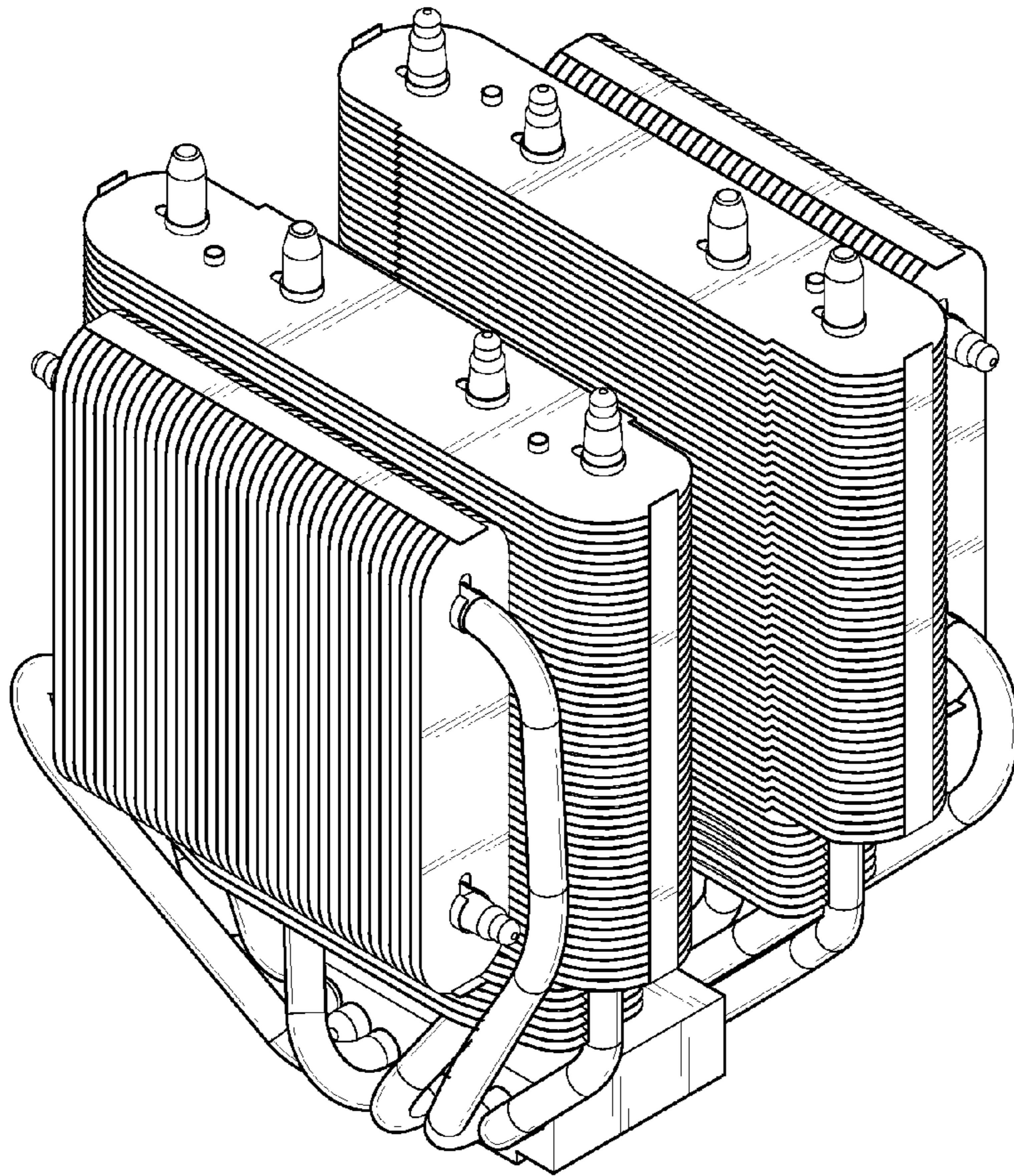
(51) **LOC (8) Cl.** **13-03**
(52) **U.S. Cl.** **D13/179**
(58) **Field of Classification Search** D23/322,
D23/323, 335, 411, 499, 370, 377; D13/179;
174/15.1, 16.3; 361/690, 697, 702, 709,
361/711, 514
See application file for complete search history.

DESCRIPTION

FIG. 1 is a perspective view of a heat dissipator showing my new design;
FIG. 2 is a front and rear view thereof;
FIG. 3 is a left and right view thereof;
FIG. 4 is a top side view thereof; and,
FIG. 5 is a bottom side view thereof.

(56) **References Cited**
U.S. PATENT DOCUMENTS
7,357,174 B2* 4/2008 Hsu et al. 165/104.33
2006/0272799 A1* 12/2006 Hsu et al. 165/104.33

1 Claim, 5 Drawing Sheets



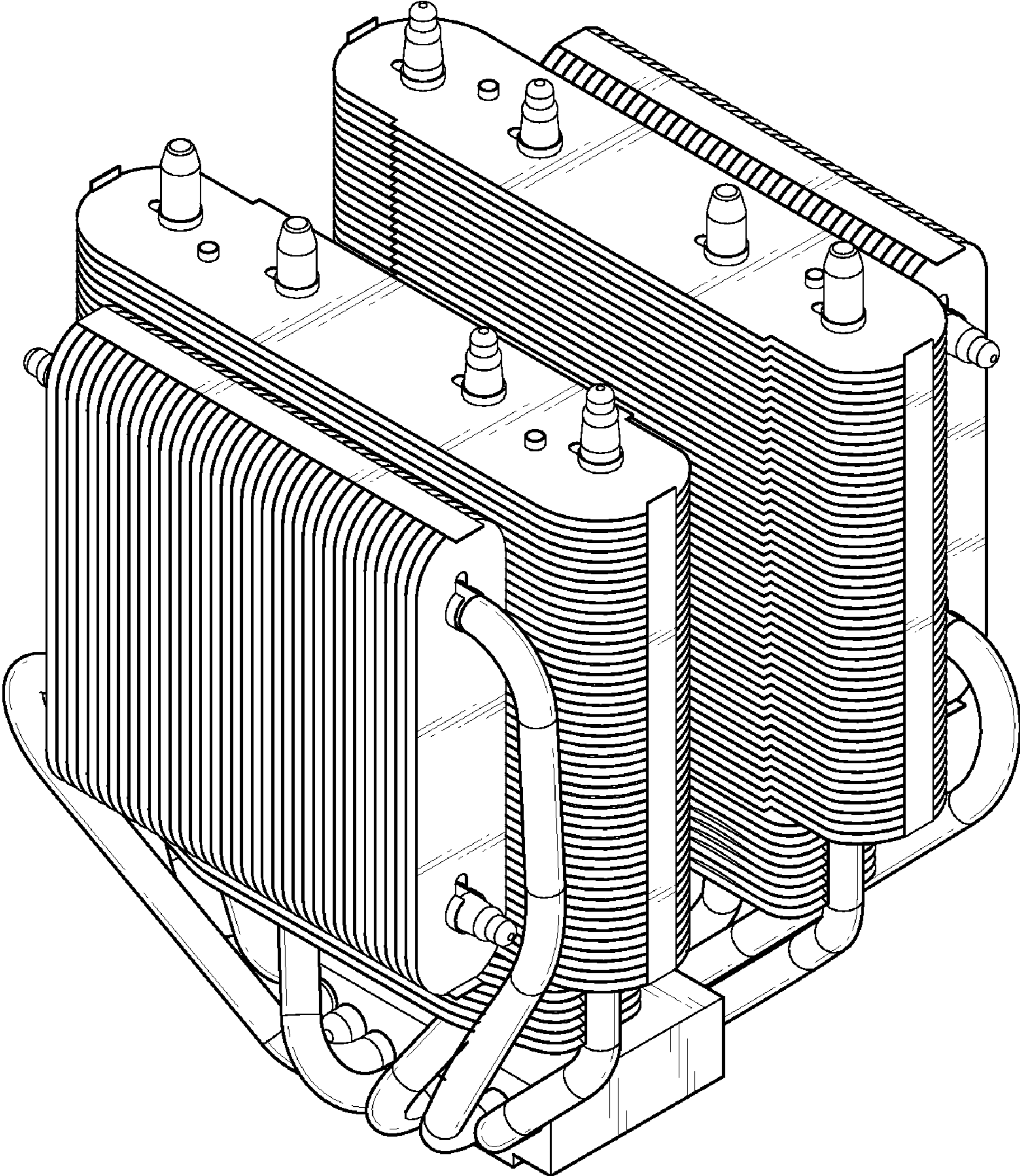


FIG.1

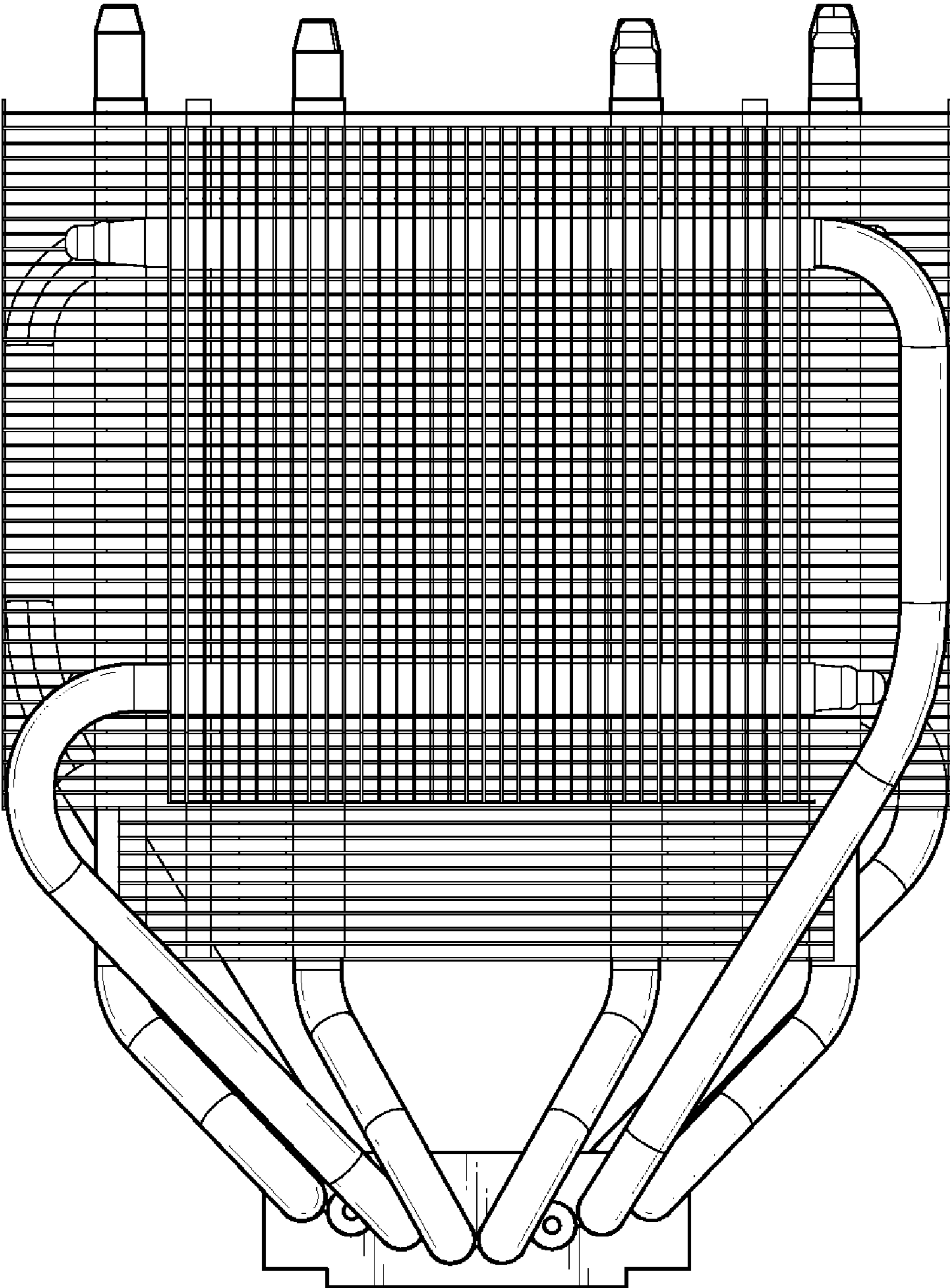


FIG.2

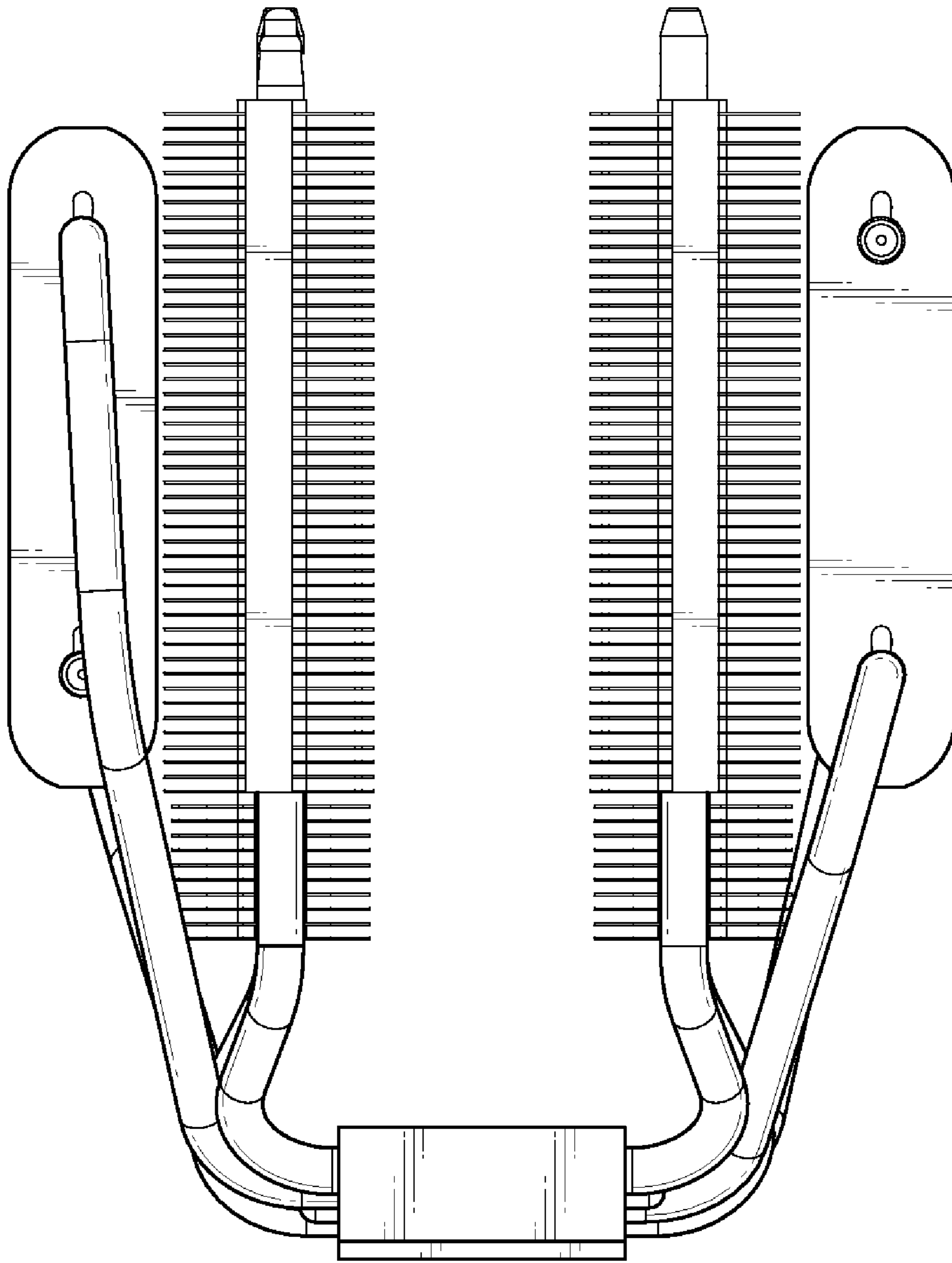


FIG.3

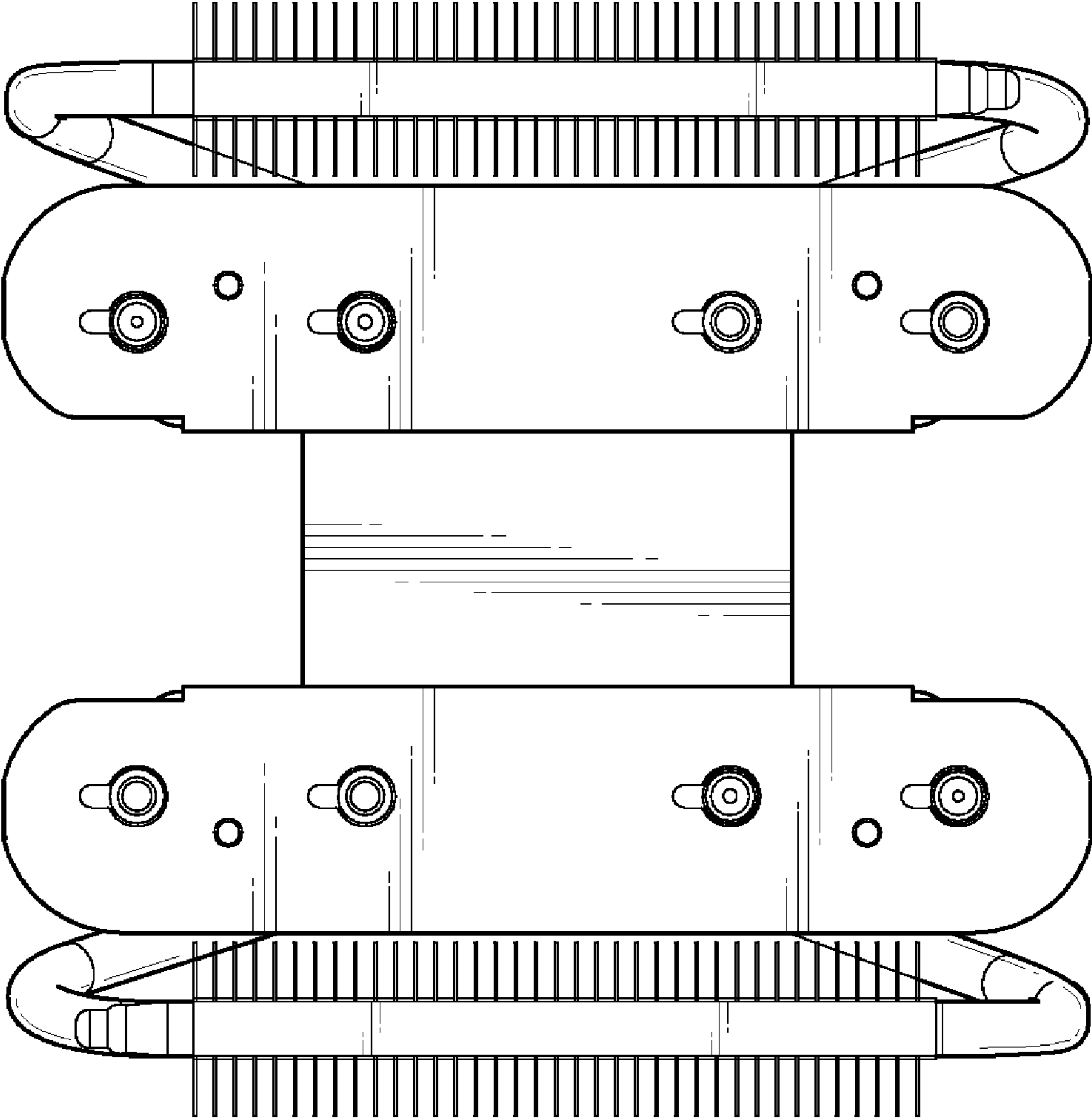


FIG.4

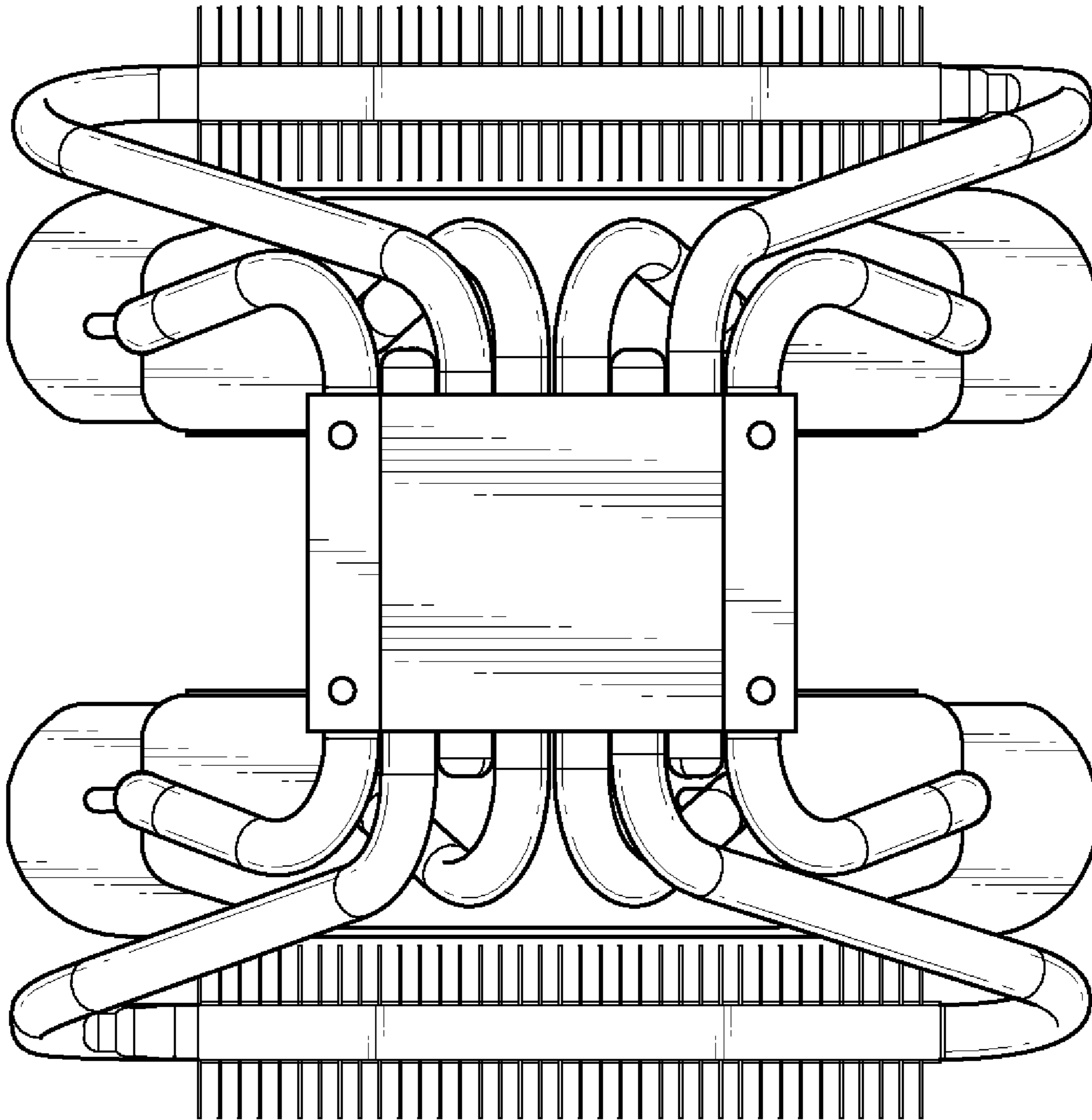


FIG.5