



US00D582358S

(12) **United States Design Patent**  
**Horng et al.**

(10) **Patent No.:** **US D582,358 S**

(45) **Date of Patent:** **\*\* Dec. 9, 2008**

(54) **BLOWER CASING**

(75) Inventors: **Alex Horng**, Kaohsiung (TW); **Tso-Kuo Yin**, Kaohsiung (TW)

(73) Assignee: **Sunonwealth Electric Machine Industry Co., Ltd.**, Kaohsiung (TW)

(\*\*) Term: **14 Years**

(21) Appl. No.: **29/272,247**

(22) Filed: **Feb. 5, 2007**

(30) **Foreign Application Priority Data**

Oct. 5, 2006 (TW) ..... 95305556

(51) **LOC (8) Cl.** ..... **13-03**

(52) **U.S. Cl.** ..... **D13/179**

(58) **Field of Classification Search** ..... D13/179;  
165/80.3, 104.33, 151, 122, 185; 257/706,  
257/707, 718-722; 361/687, 695, 697, 700,  
361/702, 704, 709, 710, 711, 719  
See application file for complete search history.

(56) **References Cited**

**U.S. PATENT DOCUMENTS**

5,297,617 A \* 3/1994 Herbert ..... 165/80.3  
D356,777 S \* 3/1995 Katsui et al. .... D13/179  
D357,900 S \* 5/1995 Katsui et al. .... D13/179

5,419,780 A \* 5/1995 Suski ..... 136/205  
5,484,262 A \* 1/1996 Thomas et al. .... 415/178  
5,494,098 A \* 2/1996 Morosas ..... 165/121  
5,597,034 A \* 1/1997 Barker et al. .... 165/80.3  
5,704,419 A \* 1/1998 Agonafer et al. .... 165/121  
6,345,664 B1 \* 2/2002 Katsui ..... 165/80.3  
6,655,929 B2 \* 12/2003 Hsieh ..... 417/368  
2003/0015311 A1 \* 1/2003 Lin et al. .... 165/80.3

\* cited by examiner

*Primary Examiner*—Selina Sikder

(74) *Attorney, Agent, or Firm*—Bacon & Thomas, PLLC

(57) **CLAIM**

The ornamental design for blower casing, and described as shown.

**DESCRIPTION**

FIG. 1 is a perspective view of the blower casing in accordance with the claimed design;

FIG. 2 is a front elevation view thereof;

FIG. 3 is a rear elevation view thereof;

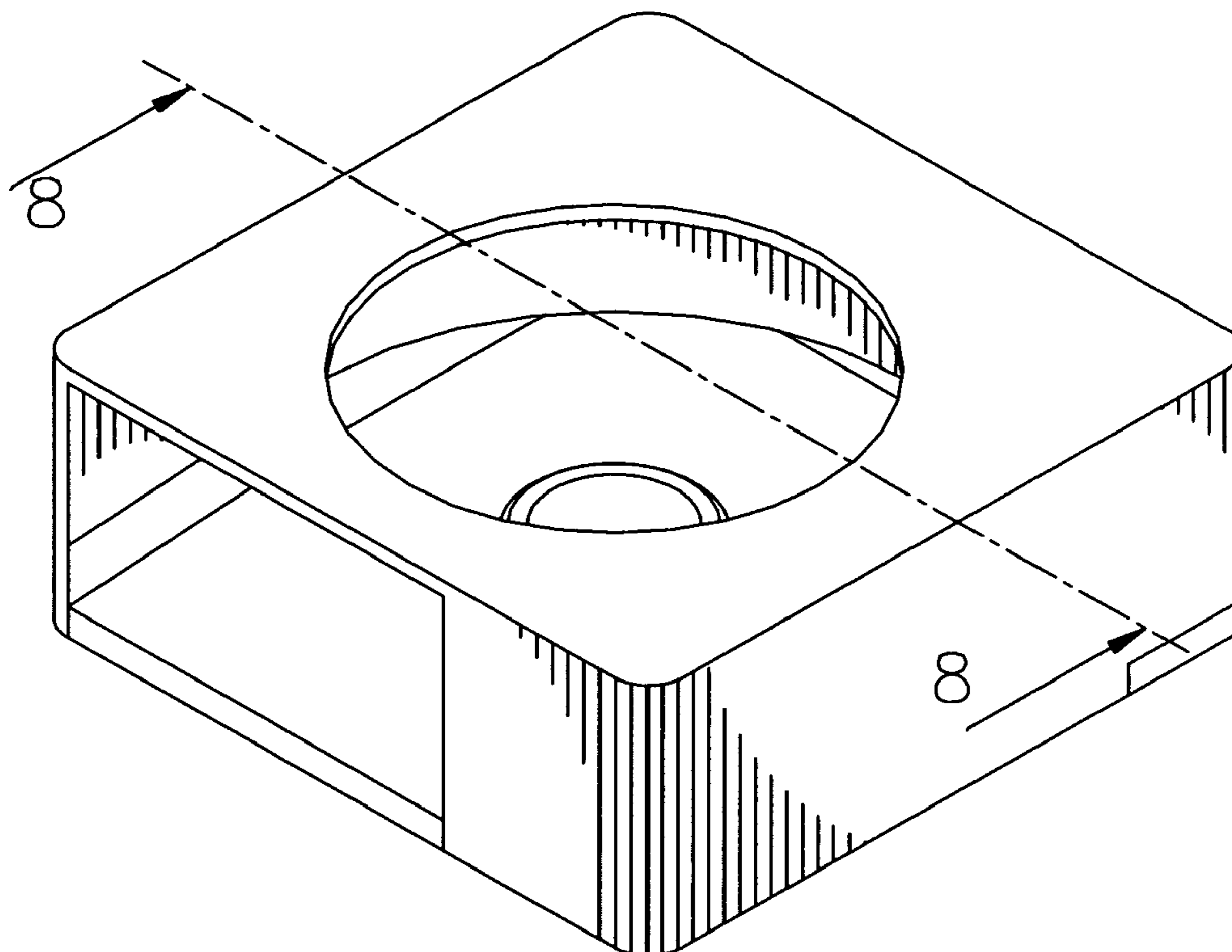
FIG. 4 is a left side elevation view thereof;

FIG. 5 is a right side elevation view thereof;

FIG. 6 is a top plan view thereof; and,

FIG. 7 is a bottom plan view thereof wherein the broken lines represent unclaimed subject matter.

**1 Claim, 4 Drawing Sheets**



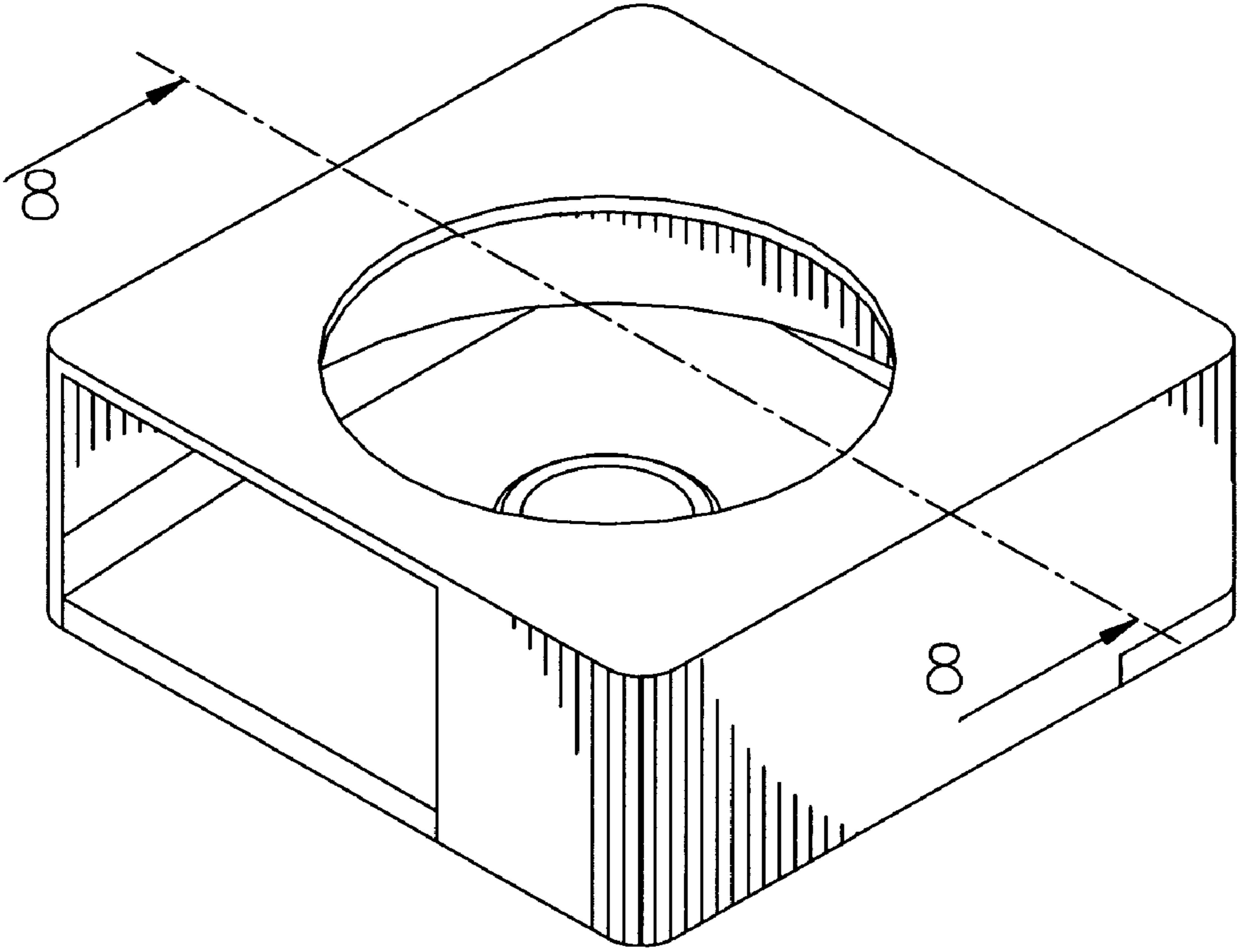


FIG. 1

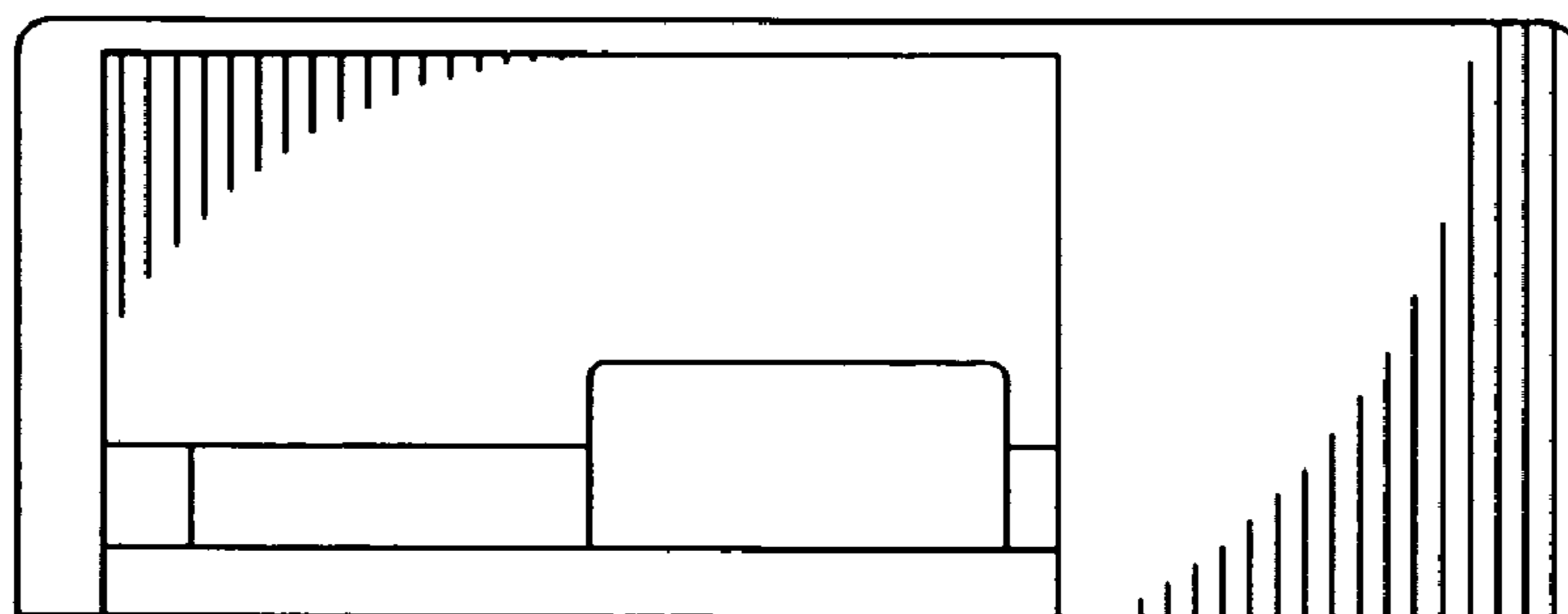


FIG. 2

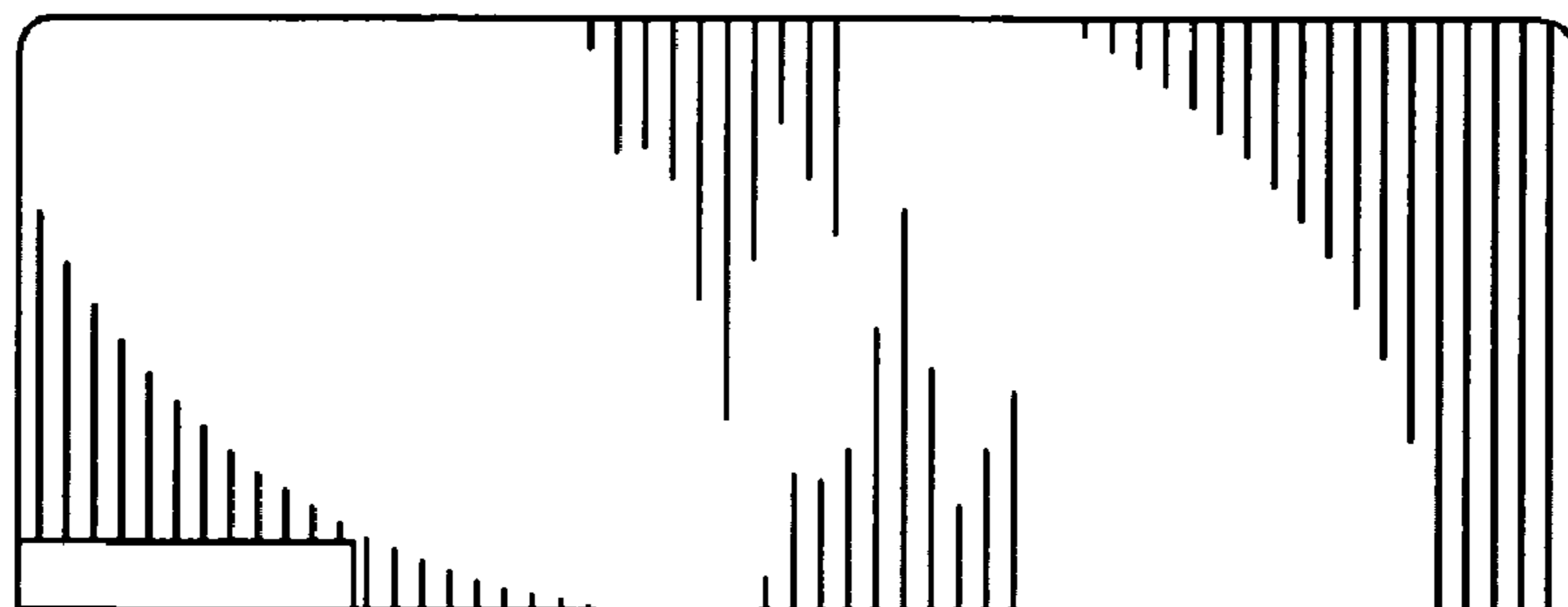


FIG. 3

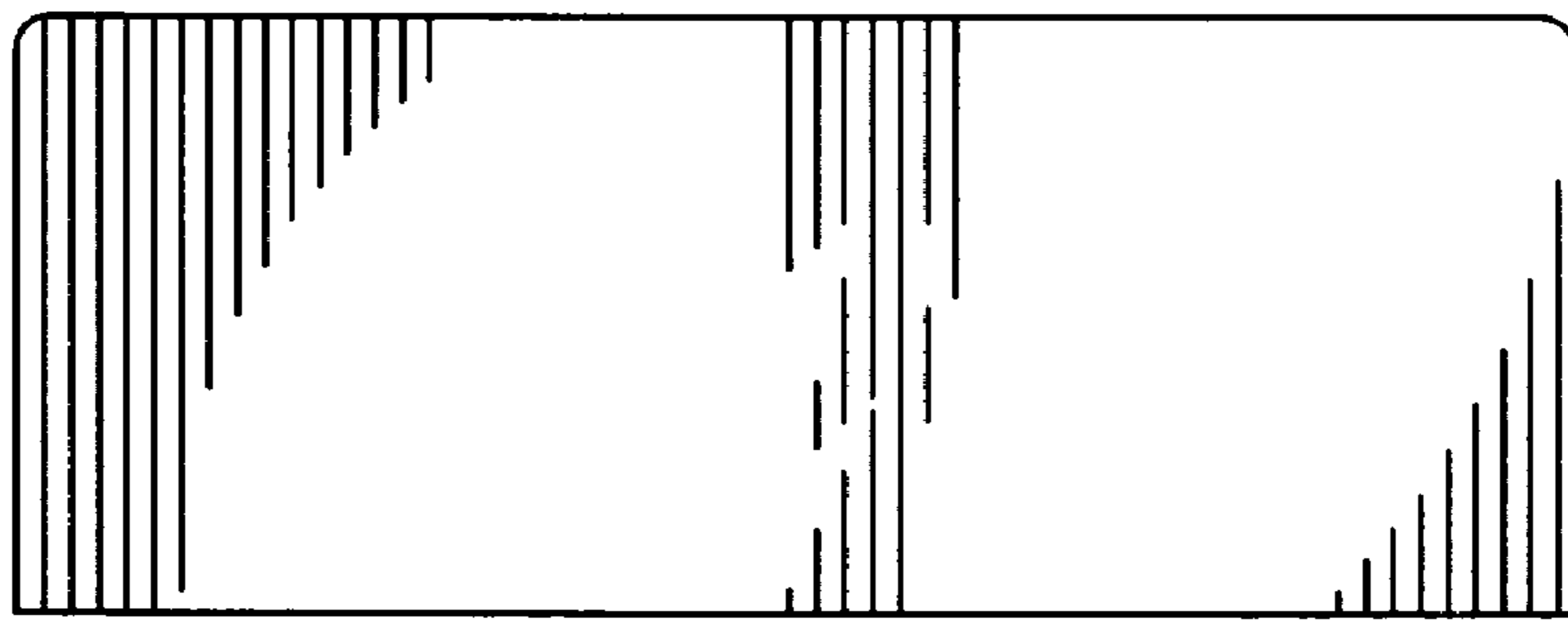


FIG. 4

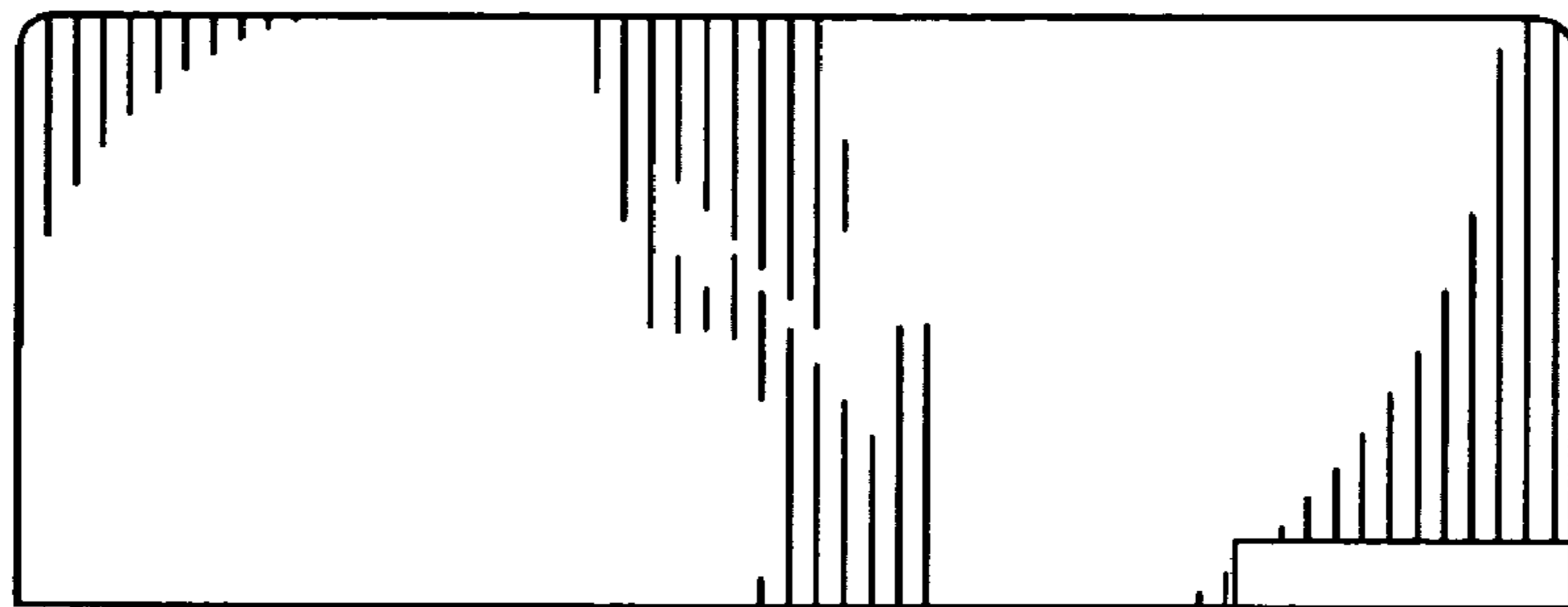


FIG. 5

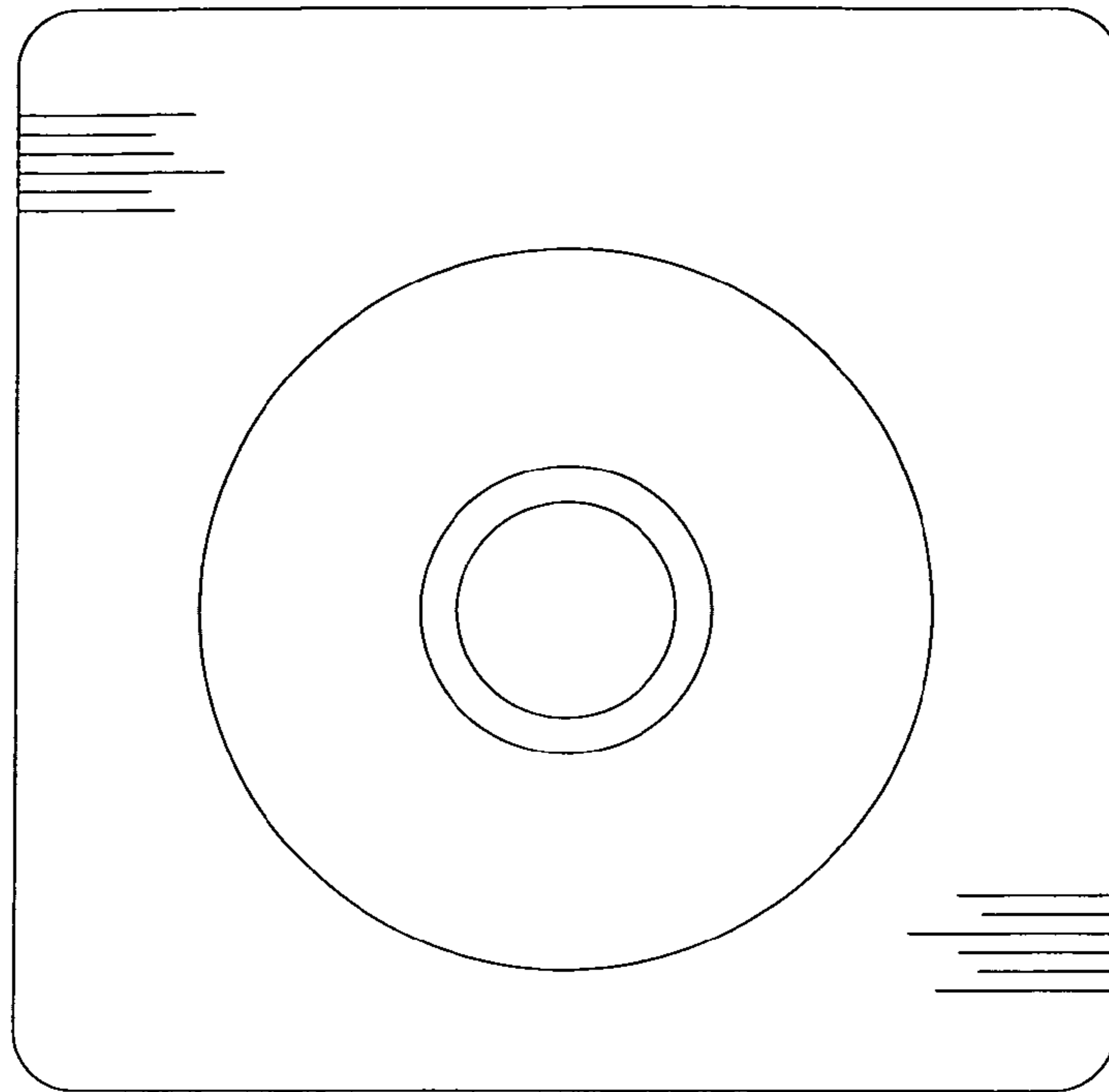


FIG. 6

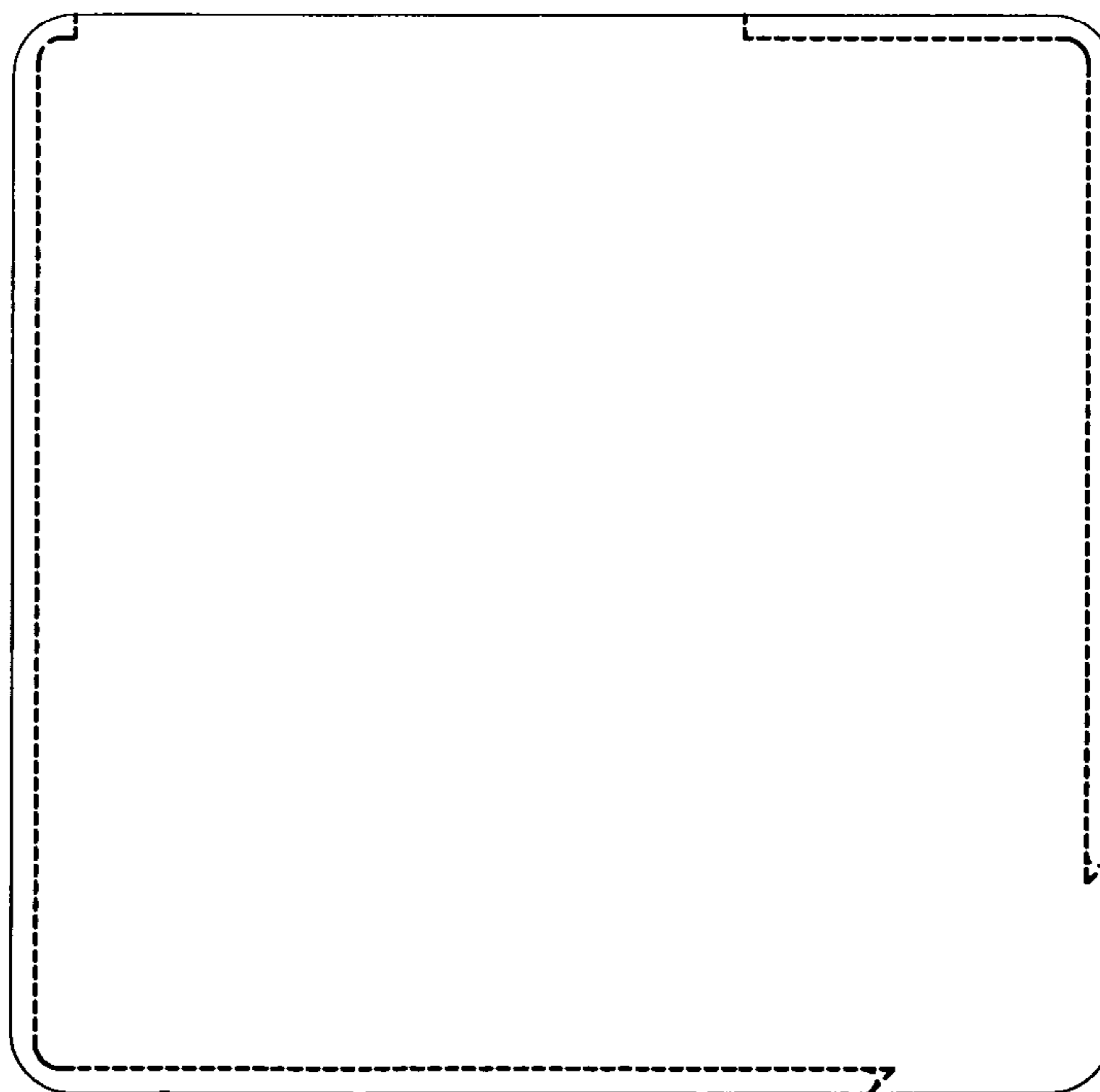


FIG. 7