



US00D582357S

(12) **United States Design Patent**  
**Decosse**

(10) **Patent No.:** **US D582,357 S**  
(45) **Date of Patent:** **\*\* Dec. 9, 2008**

(54) **WIRELESS E-STOP TYPE SWITCHING DEVICE**

D261,641 S \* 11/1981 Uzzell ..... D13/168  
5,134,259 A \* 7/1992 Page, Jr. .... 200/341  
D379,798 S \* 6/1997 McGrath et al. .... D13/168  
D494,142 S \* 8/2004 Schon ..... D13/162

(75) Inventor: **Jean Decosse**, Chirens (FR)

\* cited by examiner

(73) Assignee: **Schneider Electric Industries SAS**,  
Rueil-Malmaison (FR)

*Primary Examiner*—Daniel D. Bui

*Assistant Examiner*—Thomas J Johannes

(\*\*) Term: **14 Years**

(74) *Attorney, Agent, or Firm*—Oblon, Spivak, McClelland,  
Maier & Neustadt, P.C.

(21) Appl. No.: **29/296,418**

(22) Filed: **Oct. 19, 2007**

(57) **CLAIM**

(30) **Foreign Application Priority Data**

The ornamental design for a wireless e-stop type switching device, as shown and described.

Apr. 20, 2007 (EM) ..... 000711569-0001  
Apr. 20, 2007 (EM) ..... 000711569-0002

**DESCRIPTION**

(51) **LOC (8) Cl.** ..... **13-03**

FIG. 1 is a top and left front perspective view of a wireless e-stop type switching device, showing my new design;

(52) **U.S. Cl.** ..... **D13/171; D13/168**

FIG. 2 is a top and right rear perspective view thereof;

(58) **Field of Classification Search** ..... D13/158,  
D13/159, 162, 168, 171, 184, 199; D14/240;  
200/237, 293, 297; 361/295, 686, 692, 724,  
361/730, 736, 802; 335/132, 202  
See application file for complete search history.

FIG. 3 is a front elevational view thereof;

FIG. 4 is a rear elevational view thereof;

FIG. 5 is left side elevational view thereof, the right side elevational view being a mirror image of the side view shown;

FIG. 6 is a top plan view thereof; and,

FIG. 7 is a bottom plan view thereof.

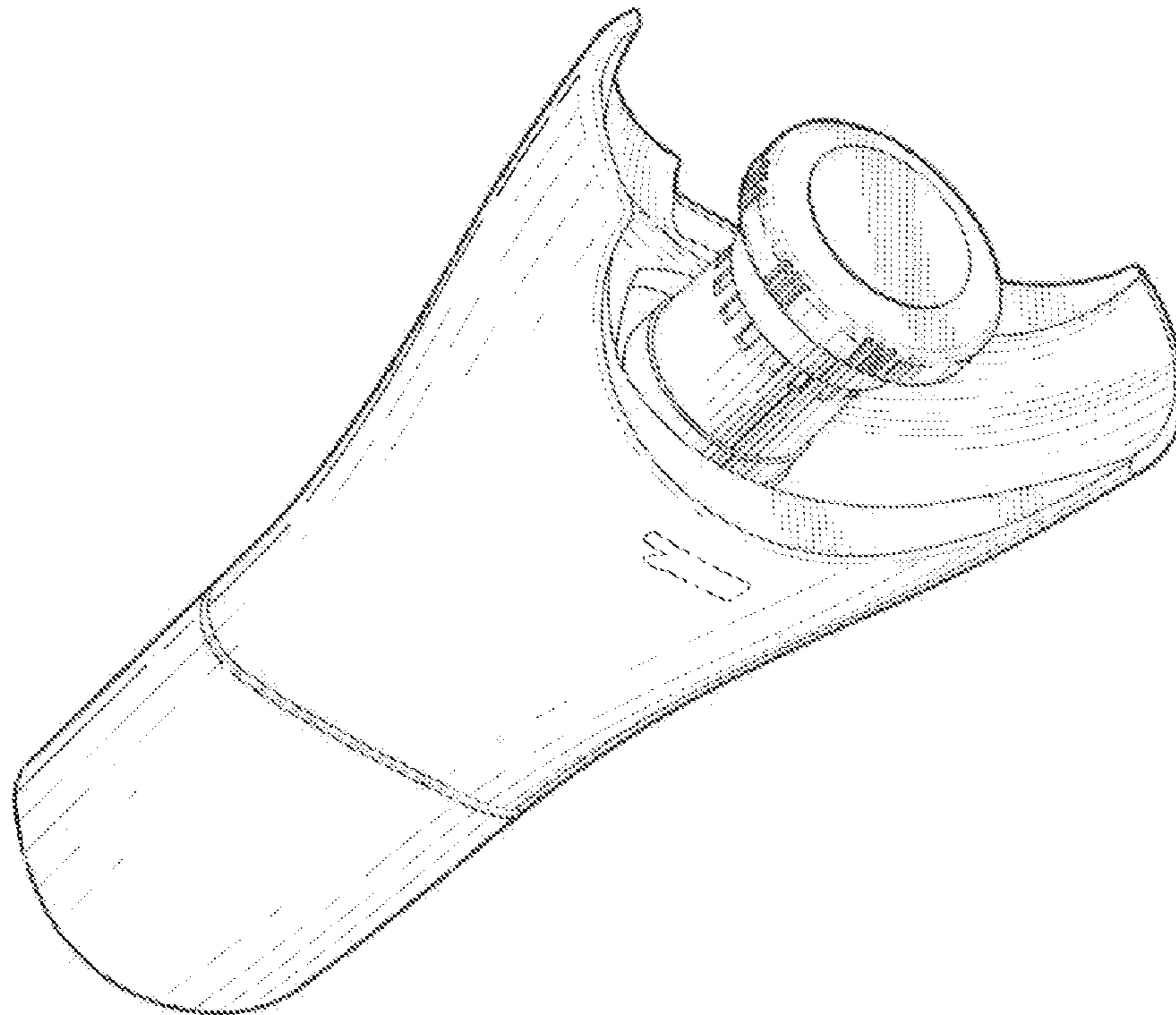
The indicia shown in broken line in FIGS. 1, 5 and 7 are for illustrative purposes only and form no part of the claimed design.

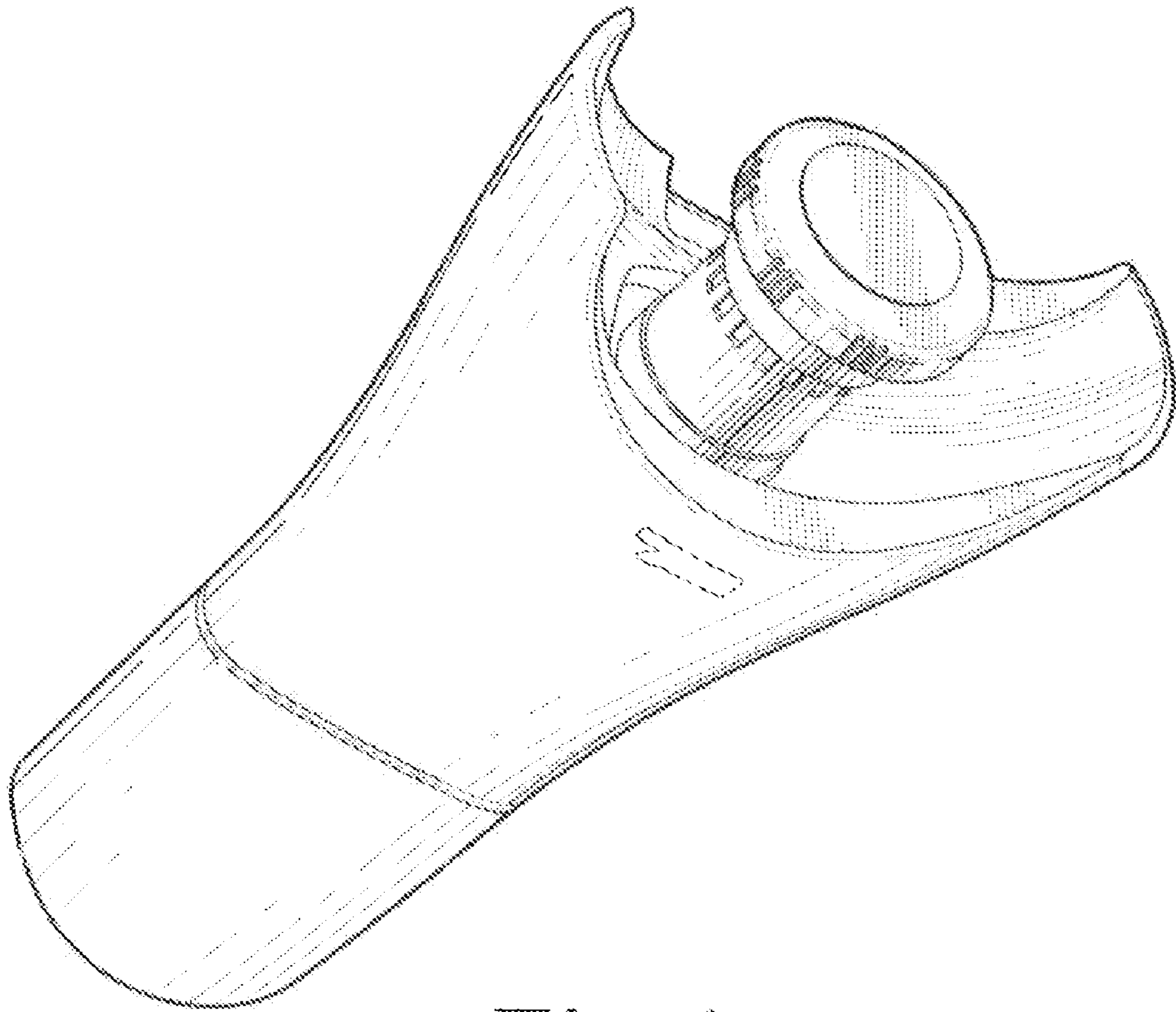
(56) **References Cited**

**U.S. PATENT DOCUMENTS**

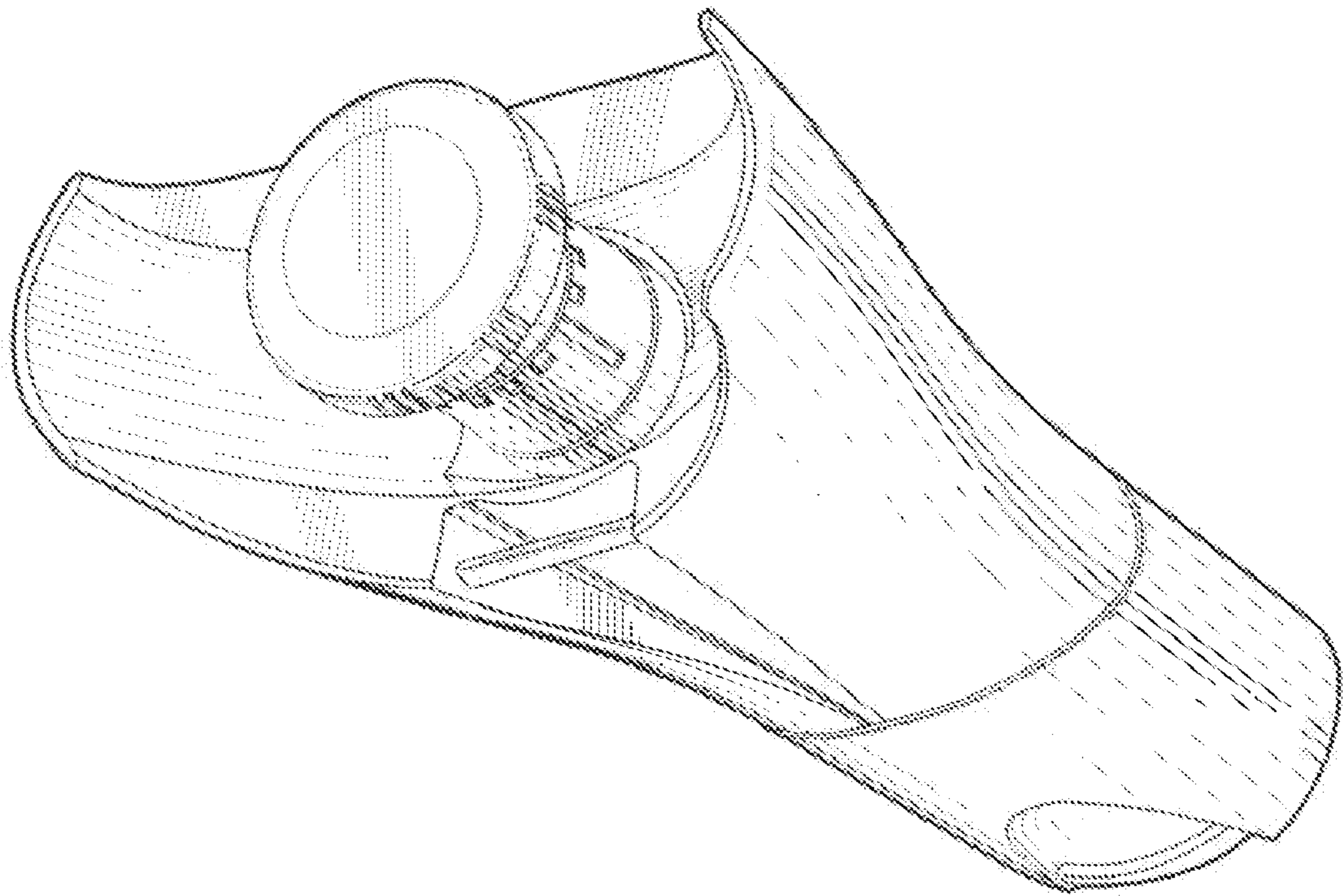
2,420,768 A \* 5/1947 Beveridge, Jr. .... 200/4  
2,744,985 A \* 5/1956 Buck ..... 200/332  
D218,102 S \* 7/1970 Schwartz ..... D13/168  
3,560,690 A \* 2/1971 Luce et al. .... 200/295  
3,740,501 A \* 6/1973 Kiessling et al. .... 200/16 R

**1 Claim, 6 Drawing Sheets**

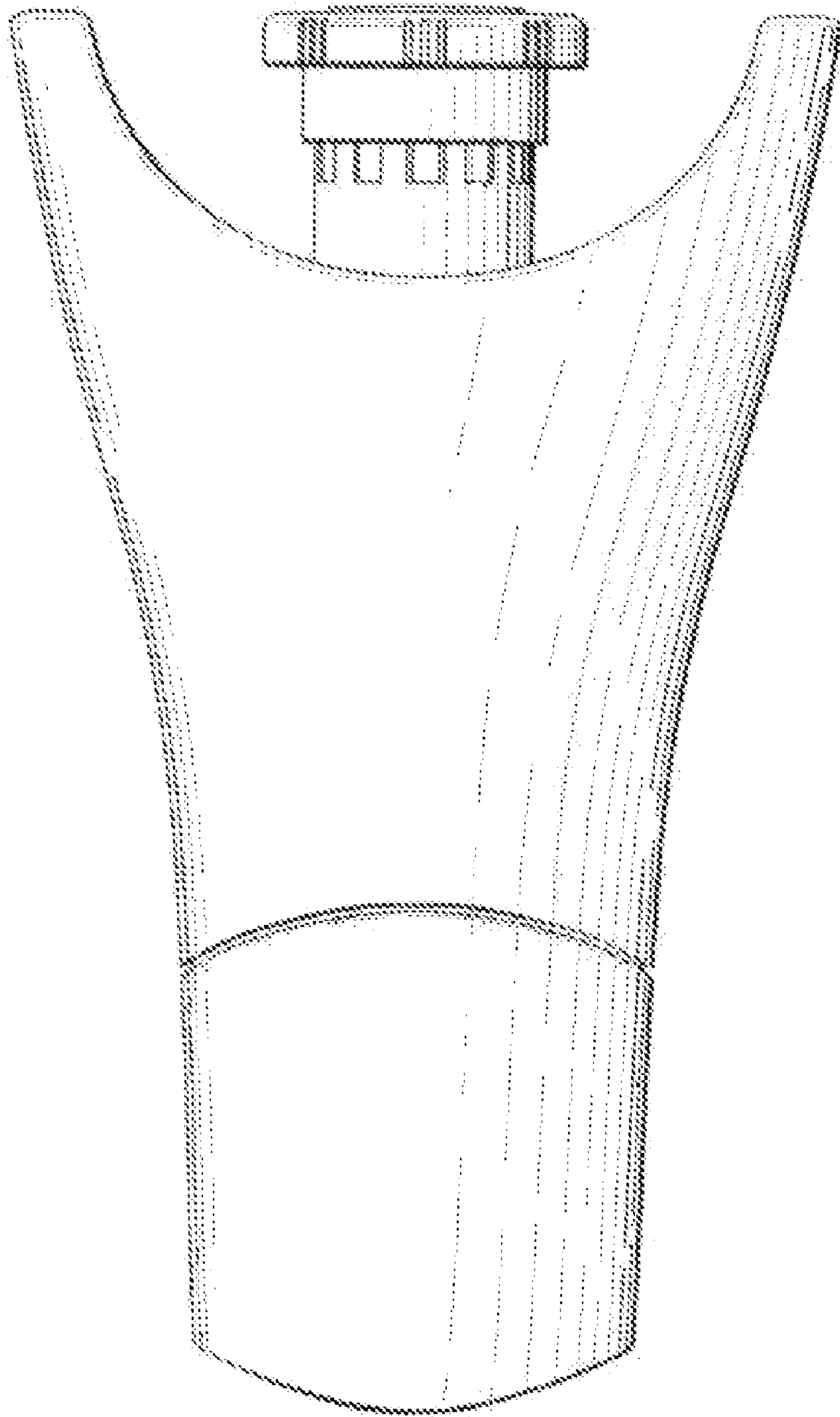




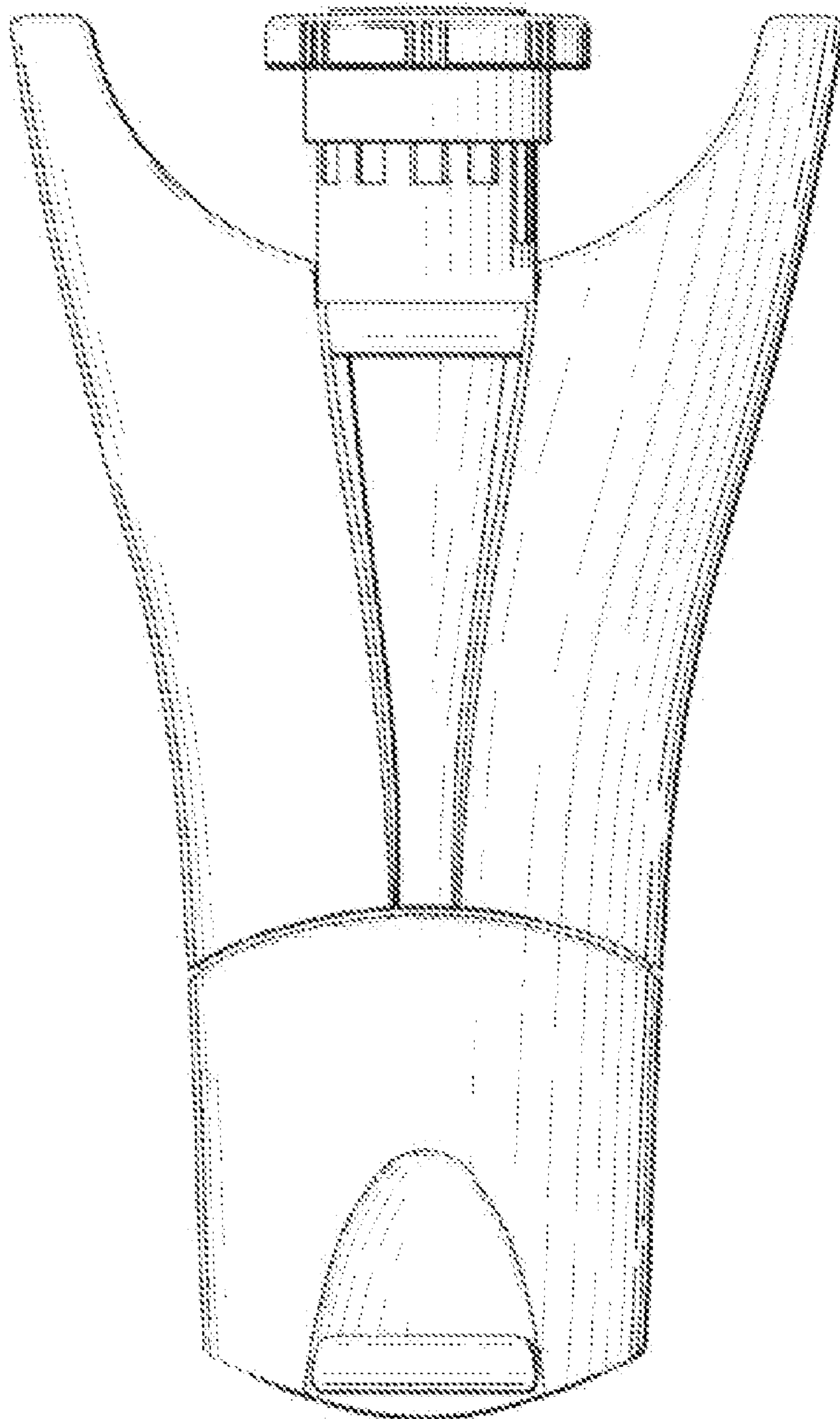
*Fig. 1*



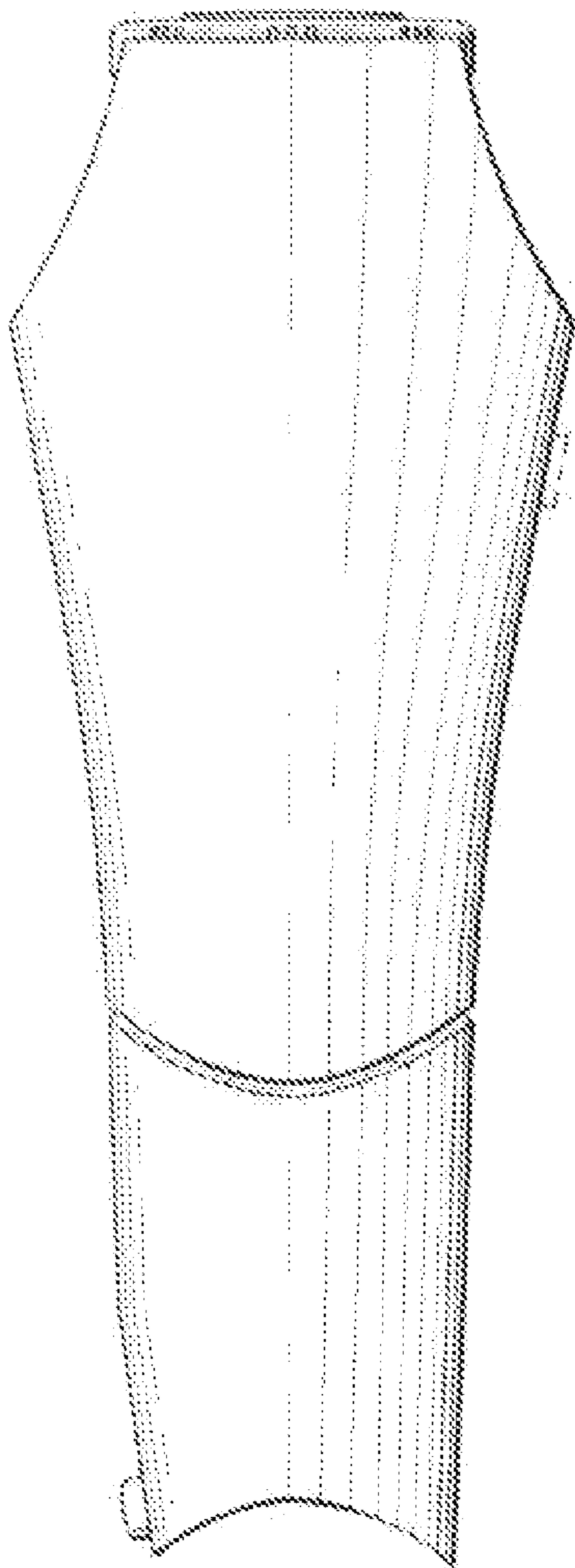
*Fig. 2*



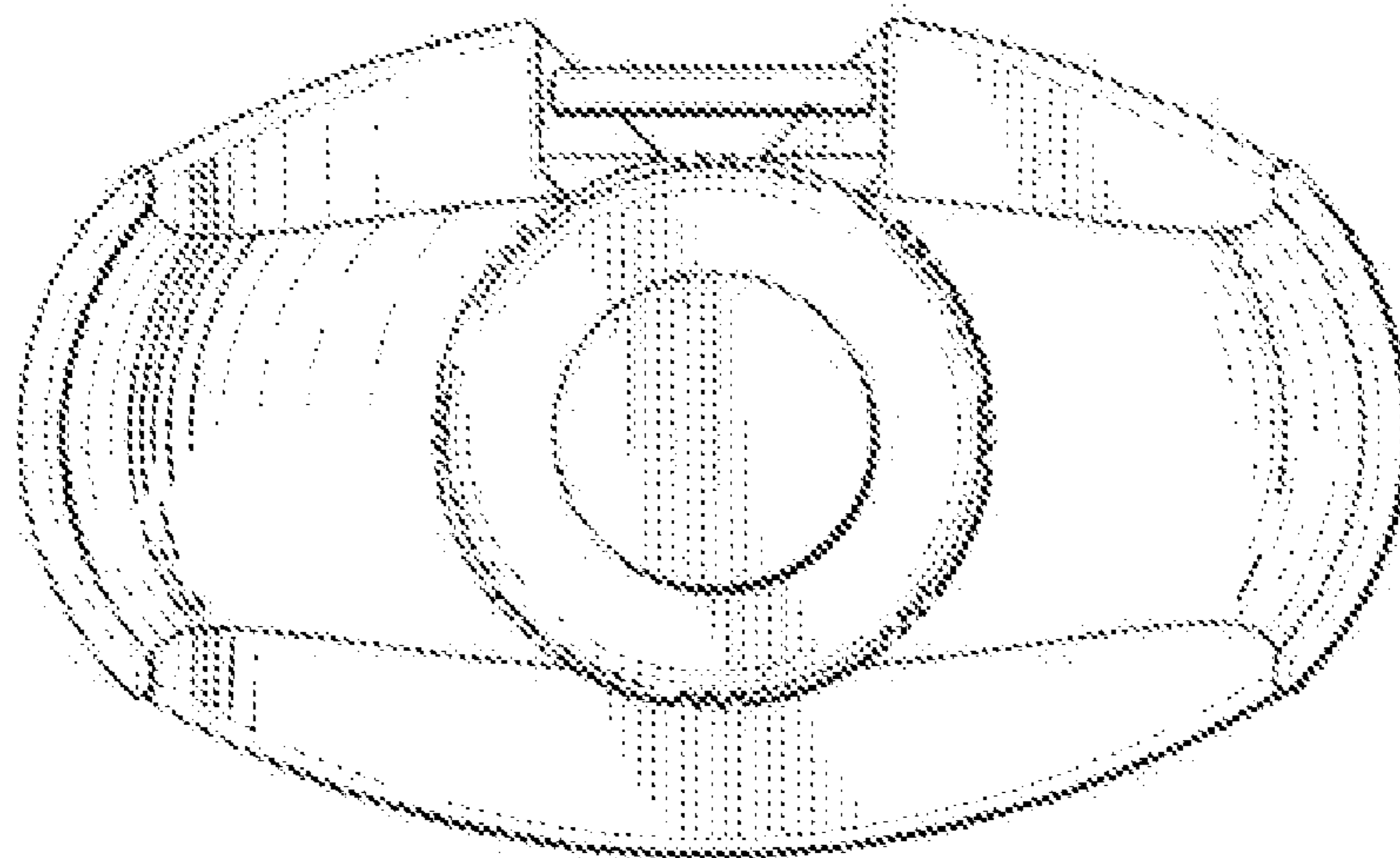
*Fig. 3*



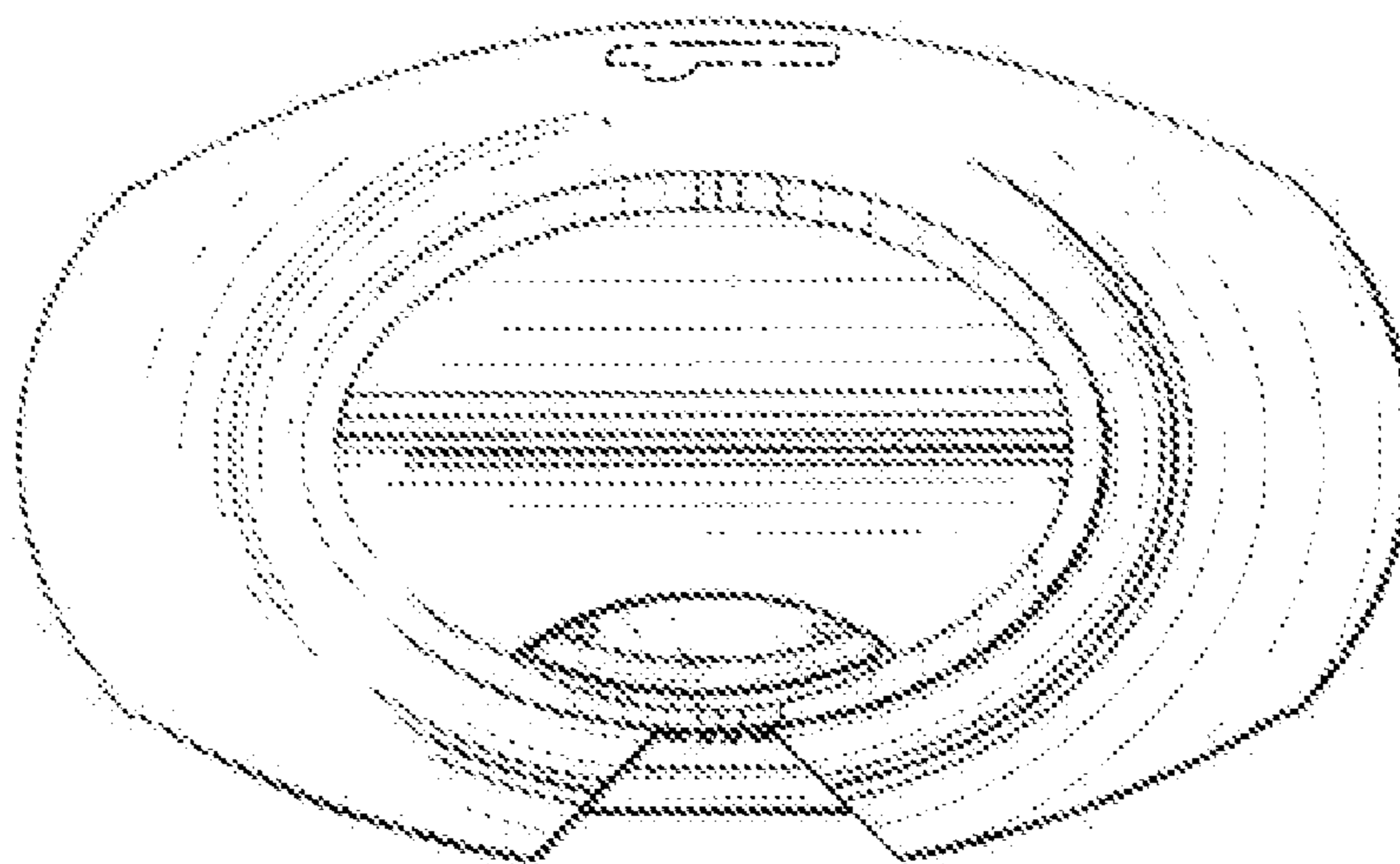
*Fig. 4*



*Fig. 5*



*Fig. 6*



*Fig. 7*