



US00D582356S

(12) **United States Design Patent**
Yamanaka

(10) **Patent No.:** **US D582,356 S**
(45) **Date of Patent:** **** Dec. 9, 2008**

(54) **MULTIDIRECTIONAL SWITCH**

(75) Inventor: **Satoshi Yamanaka**, Yao (JP)

(73) Assignee: **Hosiden Corporation**, Yao-shi (JP)

(**) Term: **14 Years**

(21) Appl. No.: **29/273,534**

(22) Filed: **Mar. 8, 2007**

(30) **Foreign Application Priority Data**

Sep. 15, 2006 (JP) 2006-024748

(51) **LOC (8) Cl.** **13-03**

(52) **U.S. Cl.** **D13/169**

(58) **Field of Classification Search** D13/169;
174/66; 200/5 R, 1 B, 433, 525, 553, 315,
200/329, 335, 332, 332.2, 339; 338/176;
315/291-296

See application file for complete search history.

(56) **References Cited**

U.S. PATENT DOCUMENTS

D402,270 S * 12/1998 Garrity, Sr. D13/174
7,012,207 B2 * 3/2006 Yahagi et al. 200/332.2
2007/0074966 A1 * 4/2007 Yamamoto et al. 200/547
2008/0047811 A1 * 2/2008 Yamanaka 200/332.2

FOREIGN PATENT DOCUMENTS

JP 3048274 2/1998

OTHER PUBLICATIONS

Japanese Design Gazette No. JP 1005507 S.

Office Action dated Feb. 9, 2007 Notification of Reasons for Refusal (with English translation.).

* cited by examiner

Primary Examiner—Selina Sikder

(74) *Attorney, Agent, or Firm*—Kratz, Quintos & Hanson, LLP

(57) **CLAIM**

The ornamental design for a multidirectional switch, as shown and described.

DESCRIPTION

FIG. 1 is a front elevation view of a multidirectional switch of the present invention;

FIG. 2 is a back elevation view thereof;

FIG. 3 is a top plan view thereof;

FIG. 4 is a bottom plan view thereof;

FIG. 5 is a left side elevation view thereof;

FIG. 6 is a right side elevation view thereof;

FIG. 7 is a front elevation view thereof, with its operating element pressed down;

FIG. 8 is a front elevation view thereof, with its operating element oscillatively moved;

FIG. 9 is a perspective view thereof, taken at the front, top, right side of FIG. 1; and,

FIG. 10 is a perspective view thereof, taken at the front, top, right side of FIG. 2.

1 Claim, 10 Drawing Sheets

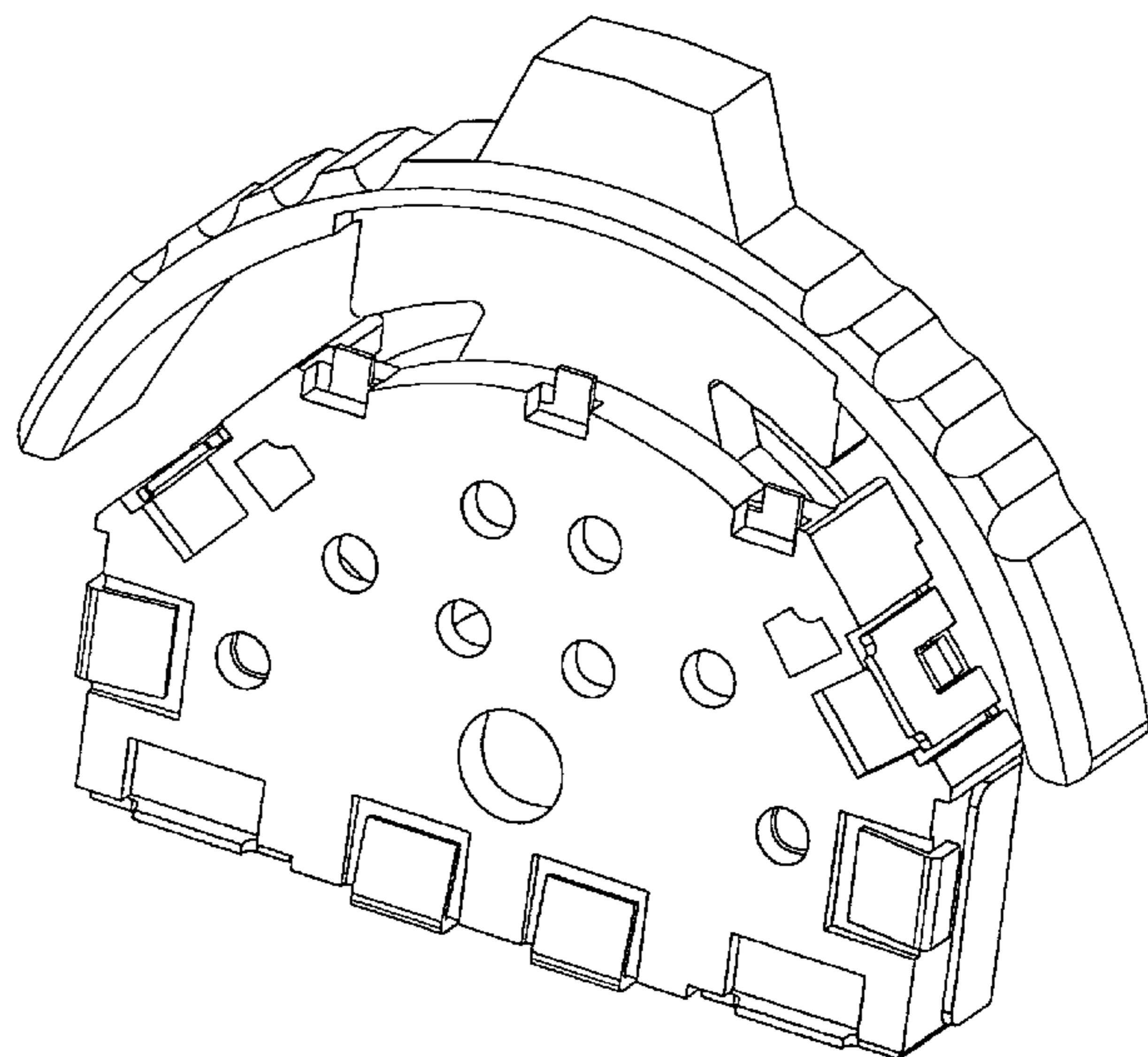
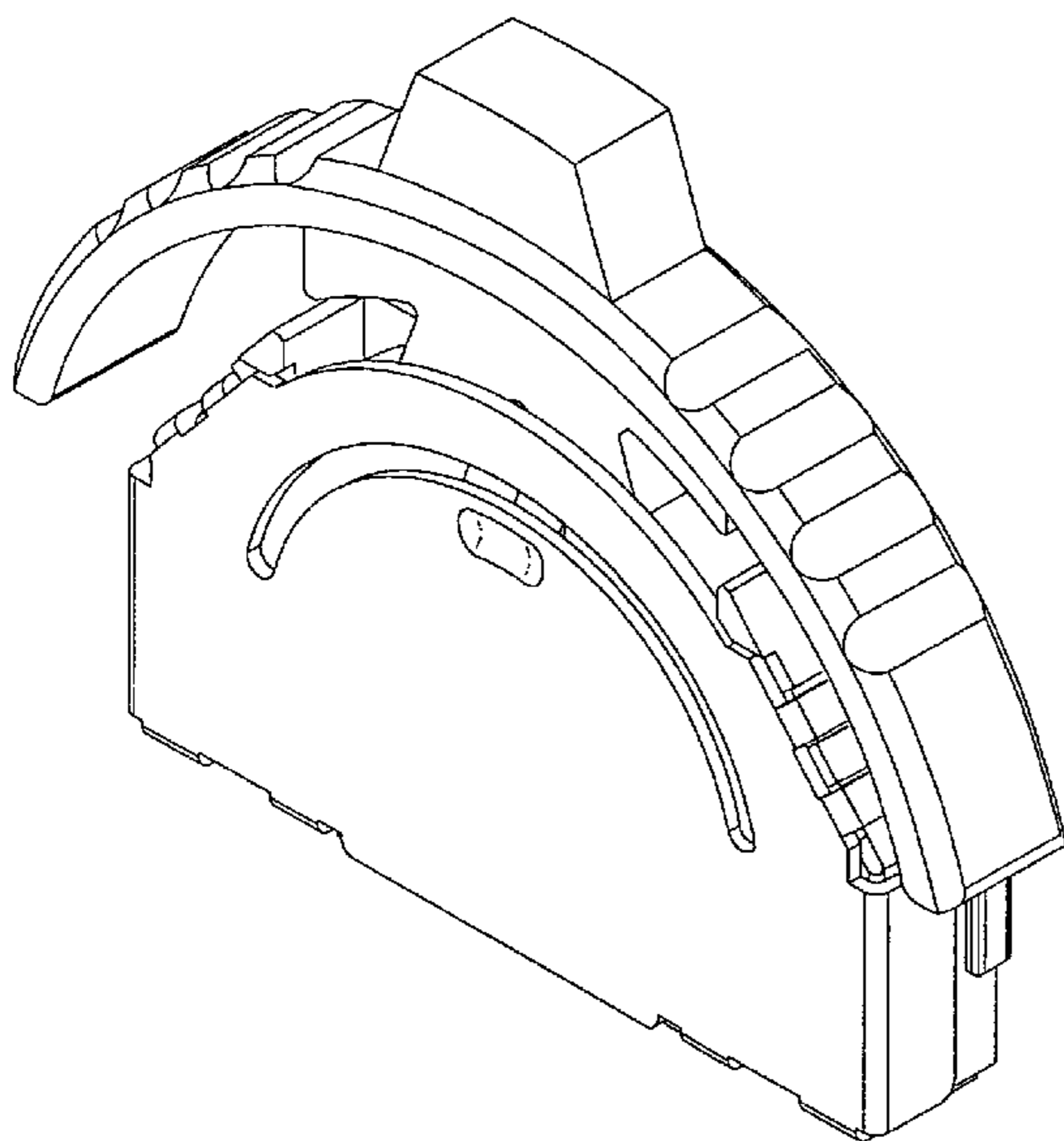


Fig. 1

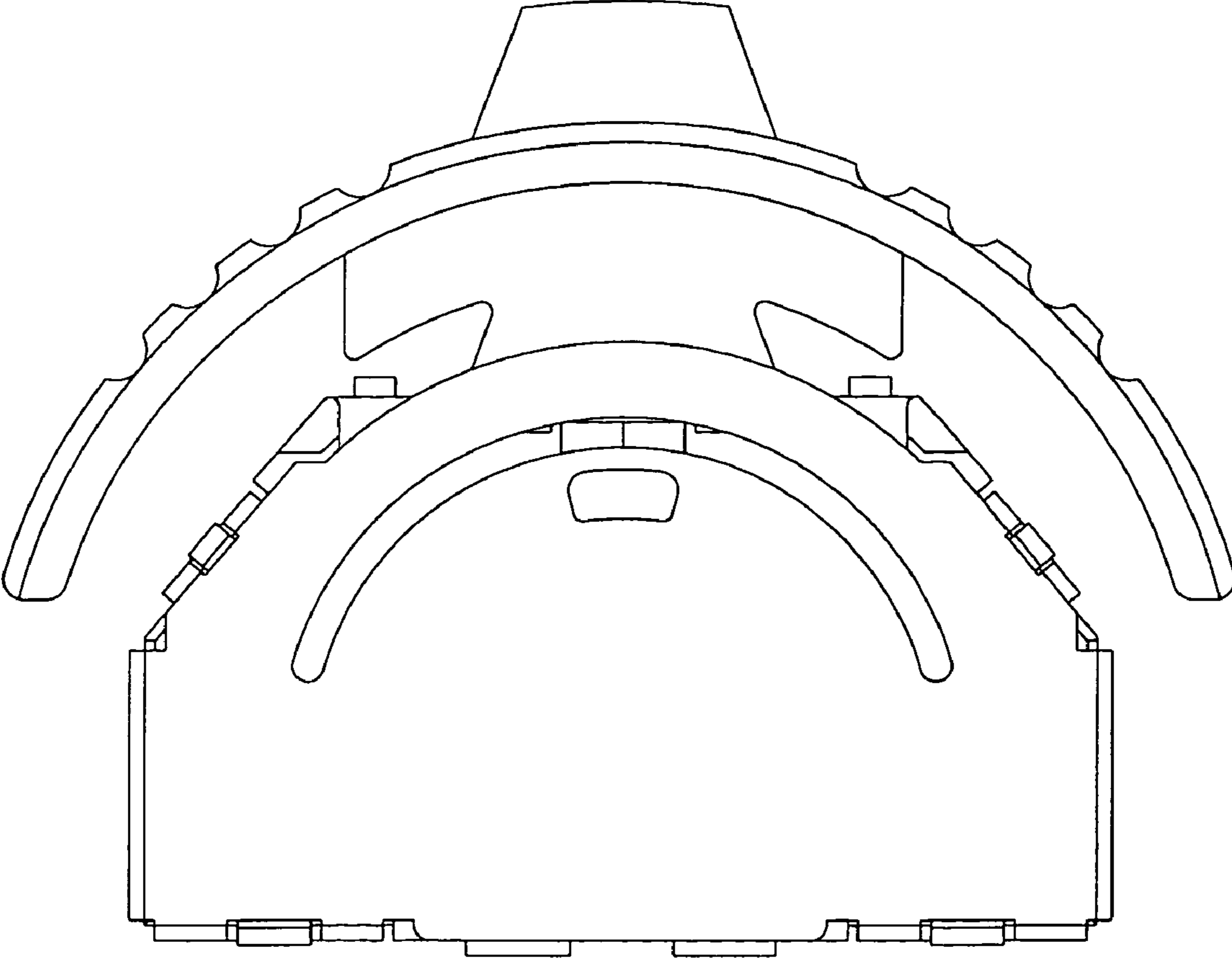


Fig.2

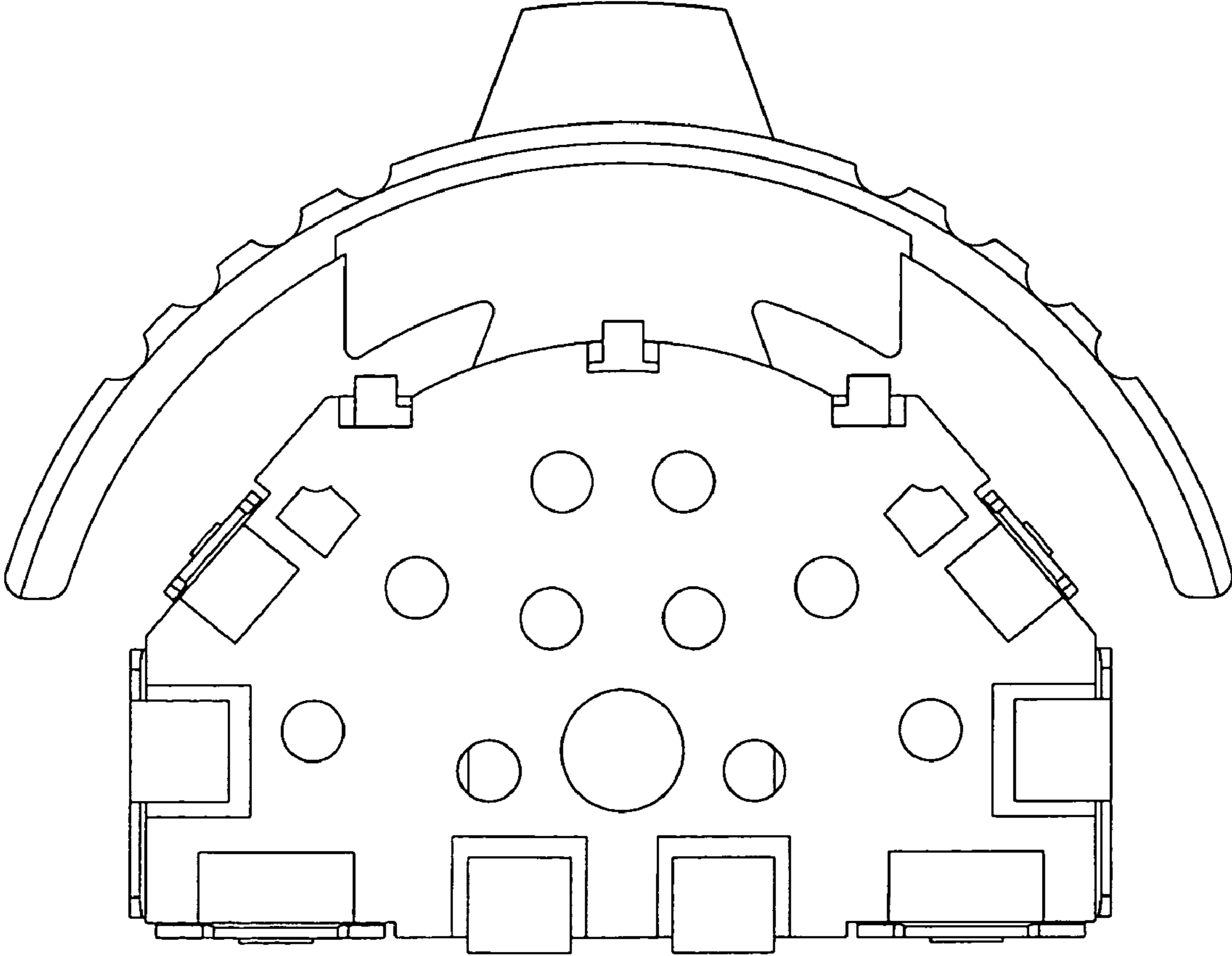


Fig.3

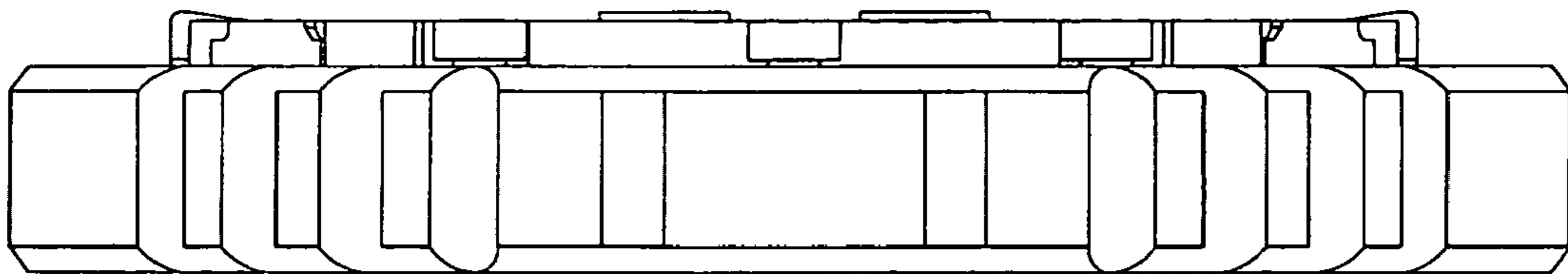


Fig.4

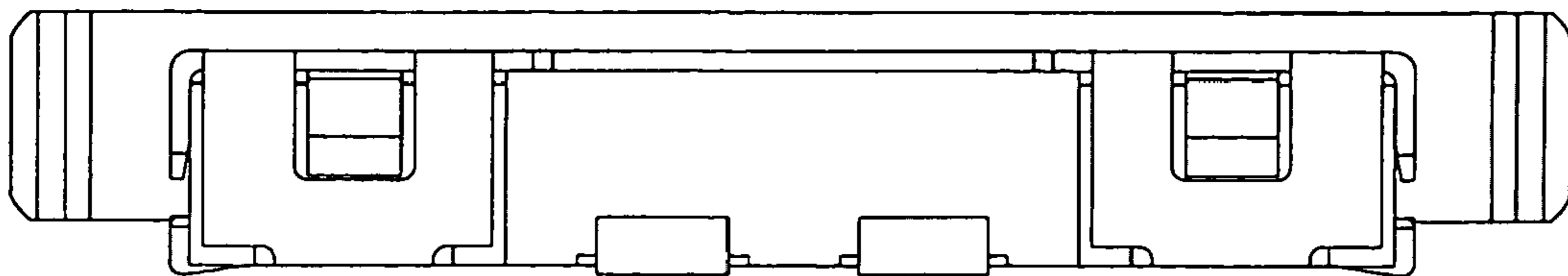


Fig.5

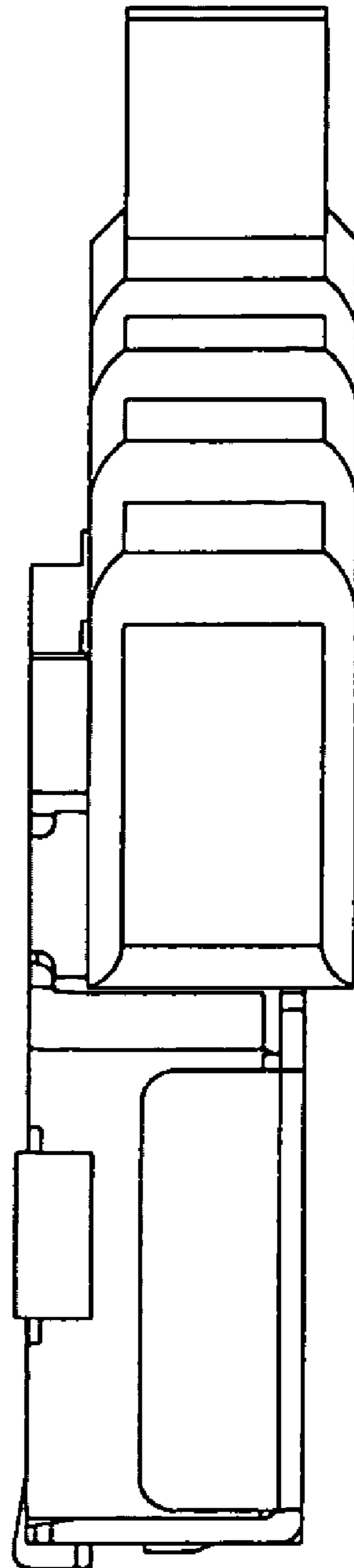


Fig.6

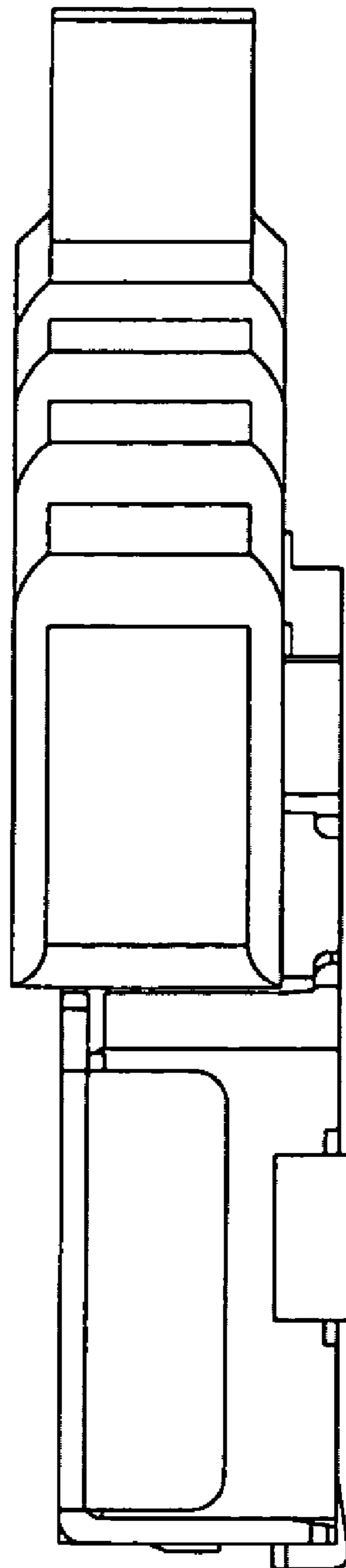


Fig.7

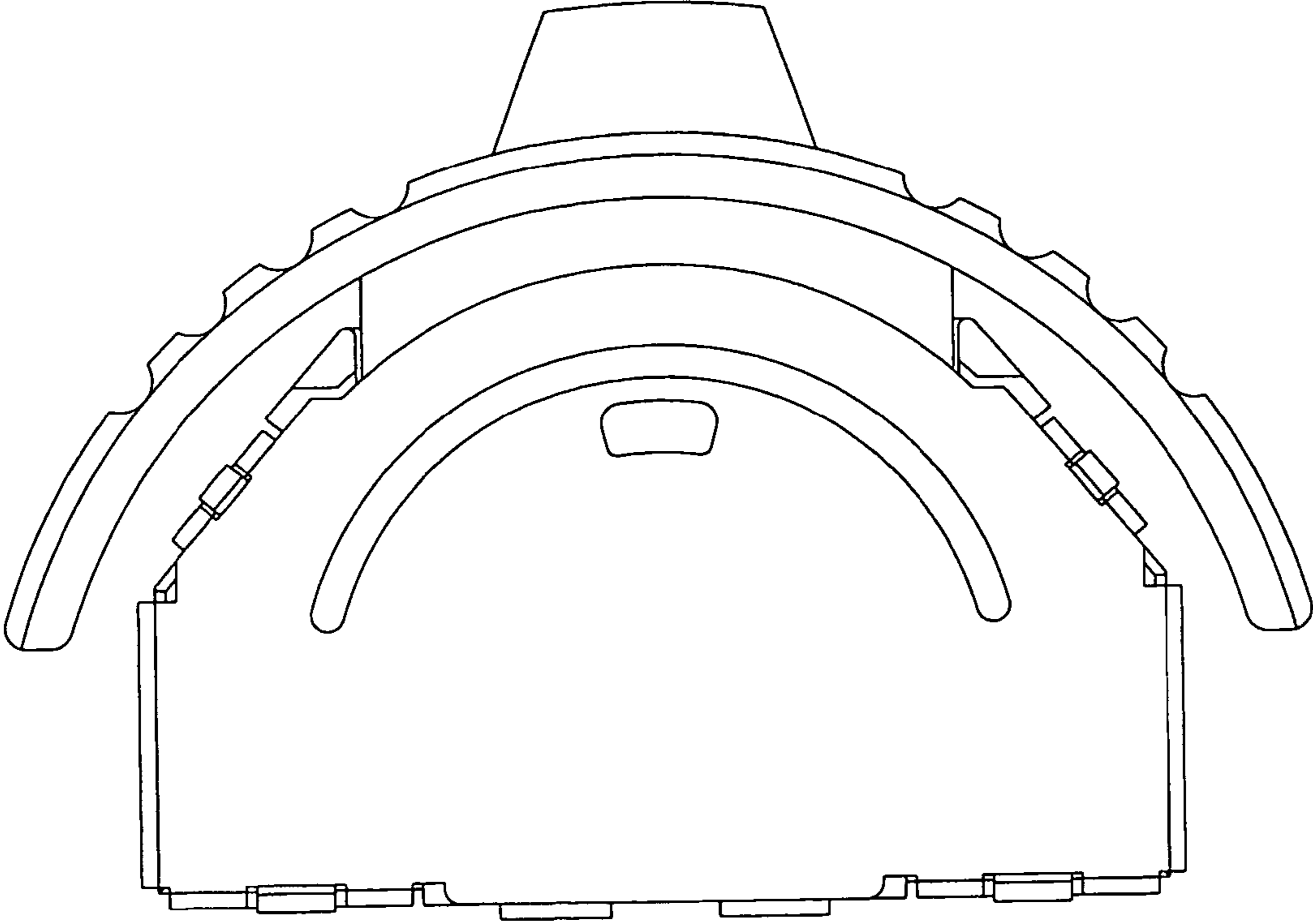


Fig.8

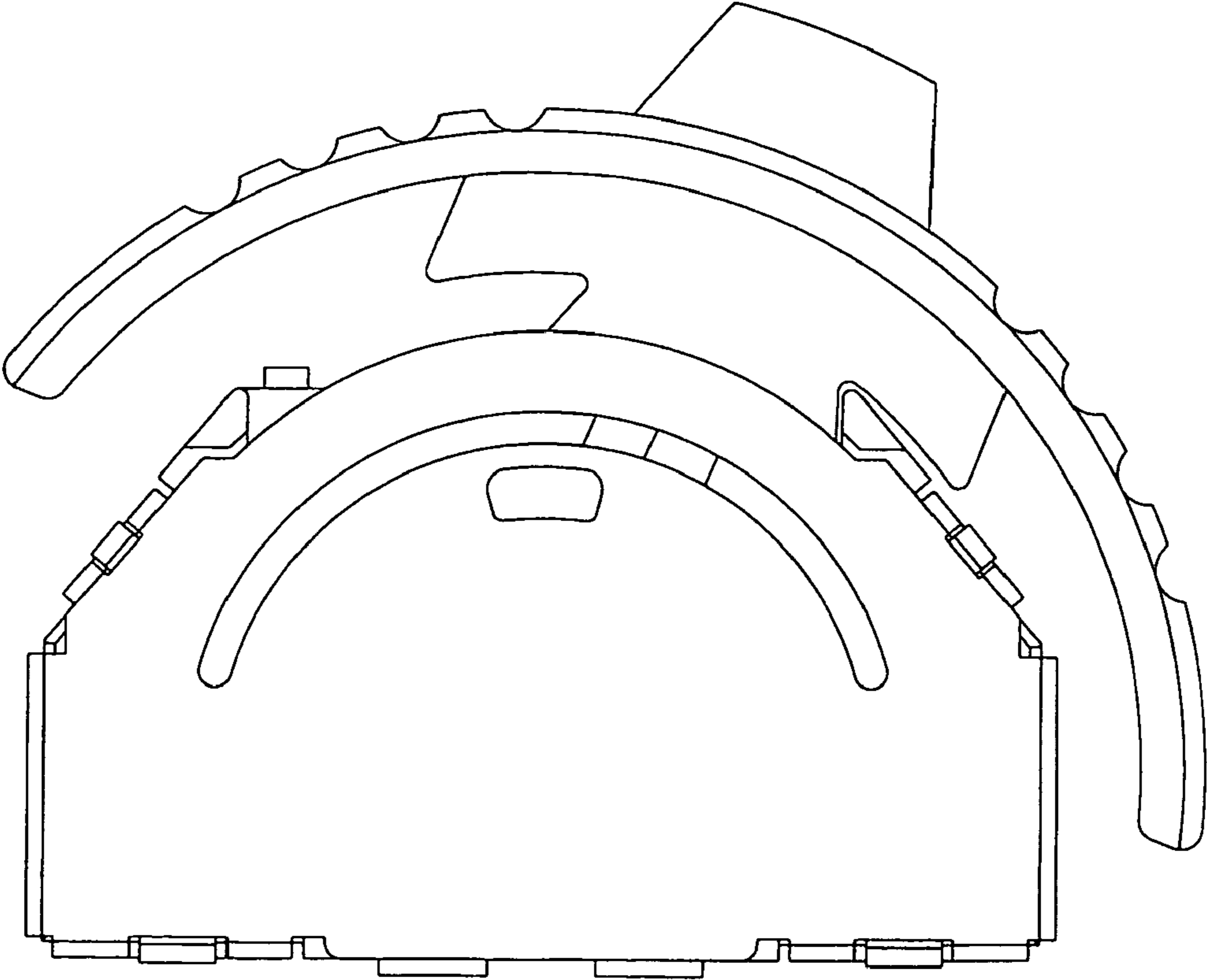


Fig.9

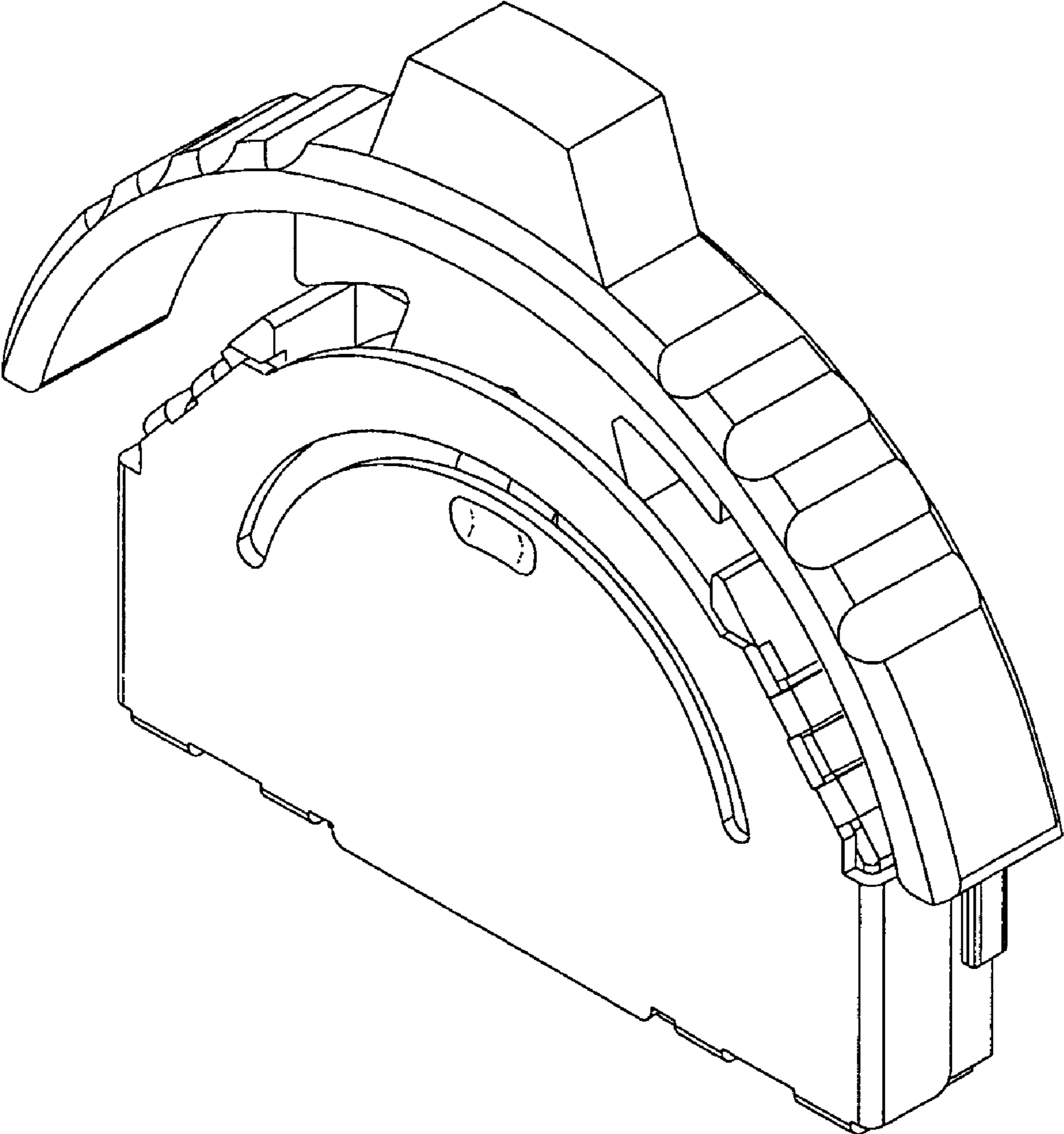


Fig.10

