



US00D582354S

(12) **United States Design Patent**
Andre et al.

(10) **Patent No.:** **US D582,354 S**
(45) **Date of Patent:** **** Dec. 9, 2008**

(54) **INPUT MECHANISM**

FOREIGN PATENT DOCUMENTS

(75) Inventors: **Bartley K. Andre**, Menlo Park, CA (US); **Daniel J. Coster**, San Francisco, CA (US); **Daniele De Iuliis**, San Francisco, CA (US); **Richard P. Howarth**, San Francisco, CA (US); **Jonathan P. Ive**, San Francisco, CA (US); **Duncan Robert Kerr**, San Francisco, CA (US); **Shin Nishibori**, San Francisco, CA (US); **Matthew Dean Rohrbach**, San Francisco, CA (US); **Peter Russell-Clarke**, San Francisco, CA (US); **Douglas B. Satzger**, Menlo Park, CA (US); **Calvin Q. Seid**, Palo Alto, CA (US); **Christopher J. Stringer**, Portola Valley, CA (US); **Eugene Antony Whang**, San Francisco, CA (US); **Rico Zorkendorfer**, San Francisco, CA (US)

CN	3513646D	3/2006
CN	3543434D	7/2006
CN	3549064D	8/2006
JP	D1121650	9/2001

Primary Examiner—Brian N Vinson
(74) *Attorney, Agent, or Firm*—Sterne, Kessler, Goldstein & Fox P.L.L.C.

(73) Assignee: **Apple Inc.**, Cupertino, CA (US)

(**) Term: **14 Years**

(21) Appl. No.: **29/270,886**

(22) Filed: **Jan. 5, 2007**

(51) **LOC (8) Cl.** **13-03**
(52) **U.S. Cl.** **D13/158**
(58) **Field of Classification Search** D13/155,
D13/158, 171; D14/192, 205, 206, 223,
D14/432; 181/129, 130, 149; 379/430, 431,
379/444, 420; 381/313, 327, 328, 330, 373,
381/380

See application file for complete search history.

(56) **References Cited**

U.S. PATENT DOCUMENTS

D270,634 S	9/1983	Ungar
D278,234 S	4/1985	Saito
4,646,872 A	3/1987	Kamon et al.
4,942,617 A	7/1990	Boylan

(Continued)

(57) **CLAIM**

The ornamental design for an input mechanism, as shown and described.

DESCRIPTION

FIG. 1 is a perspective view of an input mechanism in accordance with the present design. The input mechanism may for example provide inputs along the length of a cable. In one embodiment, the input mechanism is an electronic switch. In one embodiment, the input mechanism is used with an output device such as an ear piece, ear buds, or headset.

FIG. 2 is a close up perspective view of the input mechanism.

FIG. 3 is a front view for the input mechanism.

FIG. 4 is a rear view for the input mechanism.

FIG. 5 is a right side view for the input mechanism.

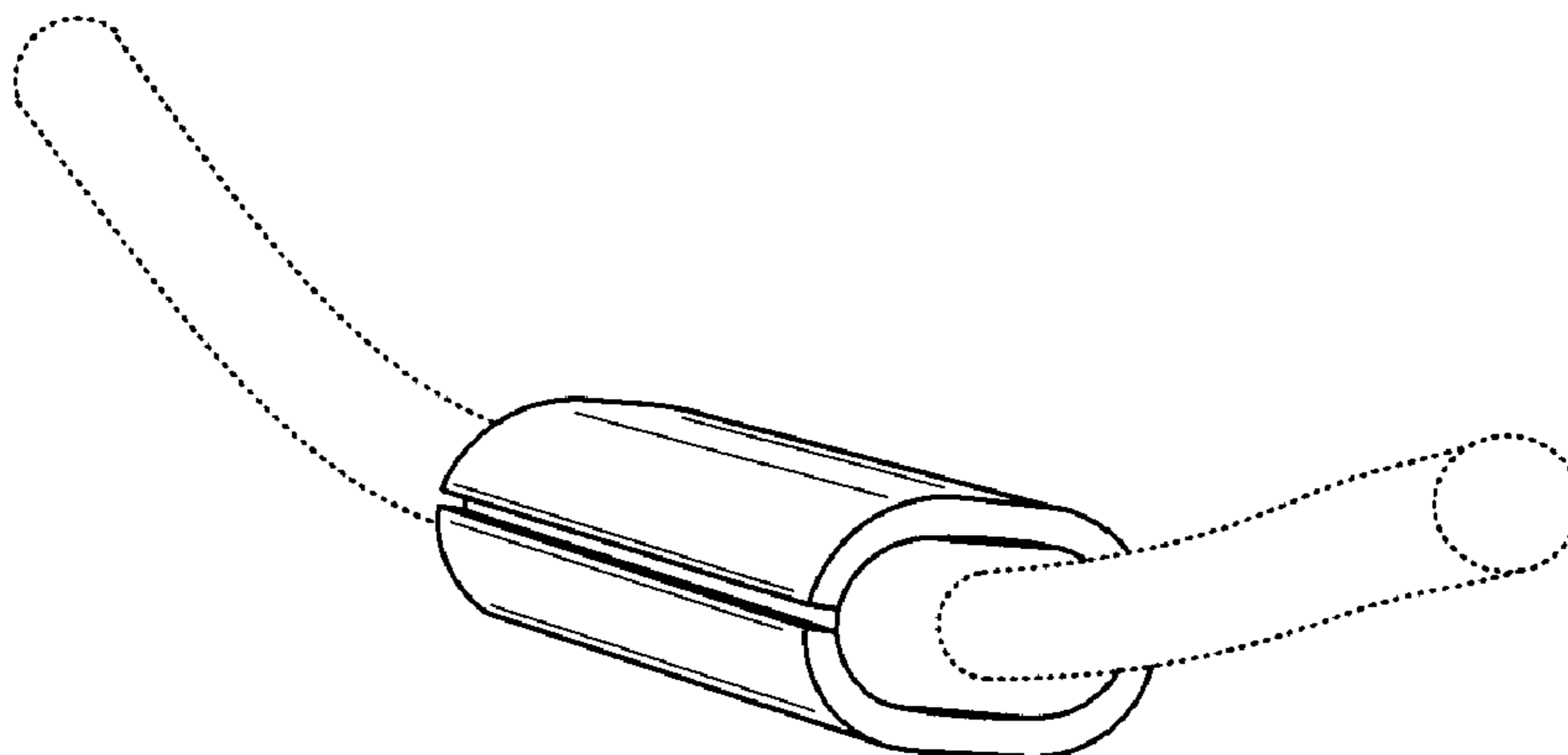
FIG. 6 is a left side view for the input mechanism.

FIG. 7 is a top view of the for the input mechanism; and,

FIG. 8 is a bottom side view for the input mechanism.

The features shown in broken lines in the various Figures are for illustrating environmental structure and form no part of the claimed design.

1 Claim, 2 Drawing Sheets



US D582,354 S

Page 2

U.S. PATENT DOCUMENTS

D311,007 S	10/1990	Daido	D469,753 S	2/2003	Andre et al.	
D316,550 S	4/1991	Sogabe	D473,207 S	4/2003	Tanio	
D318,670 S	7/1991	Taniguchi et al.	D476,009 S *	6/2003	Dearborn et al.	D14/432
D318,864 S	8/1991	Daido et al.	D478,053 S	8/2003	Andre et al.	
D318,865 S	8/1991	Ichikawa	D503,409 S	3/2005	Wong et al.	
D326,655 S	6/1992	Iribe	D506,476 S	6/2005	Andre et al.	
D334,043 S *	3/1993	Taniguchi et al.	D515,545 S	2/2006	Griffin	
D337,305 S	7/1993	Ross et al.	D516,579 S	3/2006	Nakamura	
D344,524 S	2/1994	Taniguchi	7,013,164 B2	3/2006	Lin	
D430,139 S *	8/2000	Peters et al.	D520,464 S *	5/2006	Strong et al.	D13/171
6,122,369 A *	9/2000	Hwang et al.	D527,723 S	9/2006	Andre et al.	
6,122,526 A	9/2000	Parulski et al.	D534,184 S	12/2006	Leija et al.	
D432,523 S	10/2000	Grinkus et al.	D534,545 S	1/2007	Leija et al.	
D438,525 S	3/2001	Katayama	D537,074 S	2/2007	Andre et al.	
D441,735 S	5/2001	Katayama	D539,814 S	4/2007	Andre et al.	
D446,499 S	8/2001	Andre et al.	D551,250 S	9/2007	Andre et al.	
D454,110 S	3/2002	Andre et al.	D567,185 S *	4/2008	Mayo et al.	D13/158

* cited by examiner

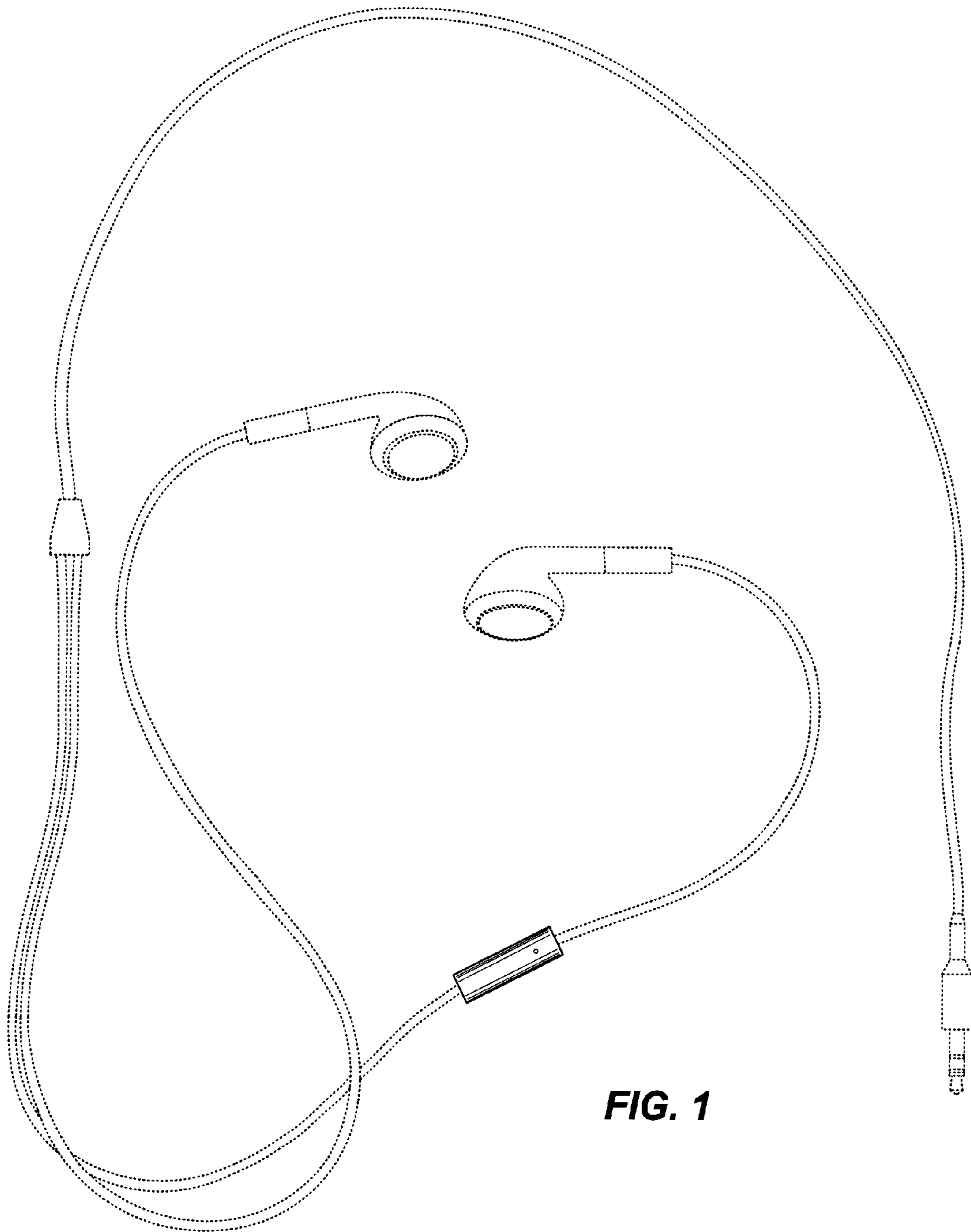


FIG. 1

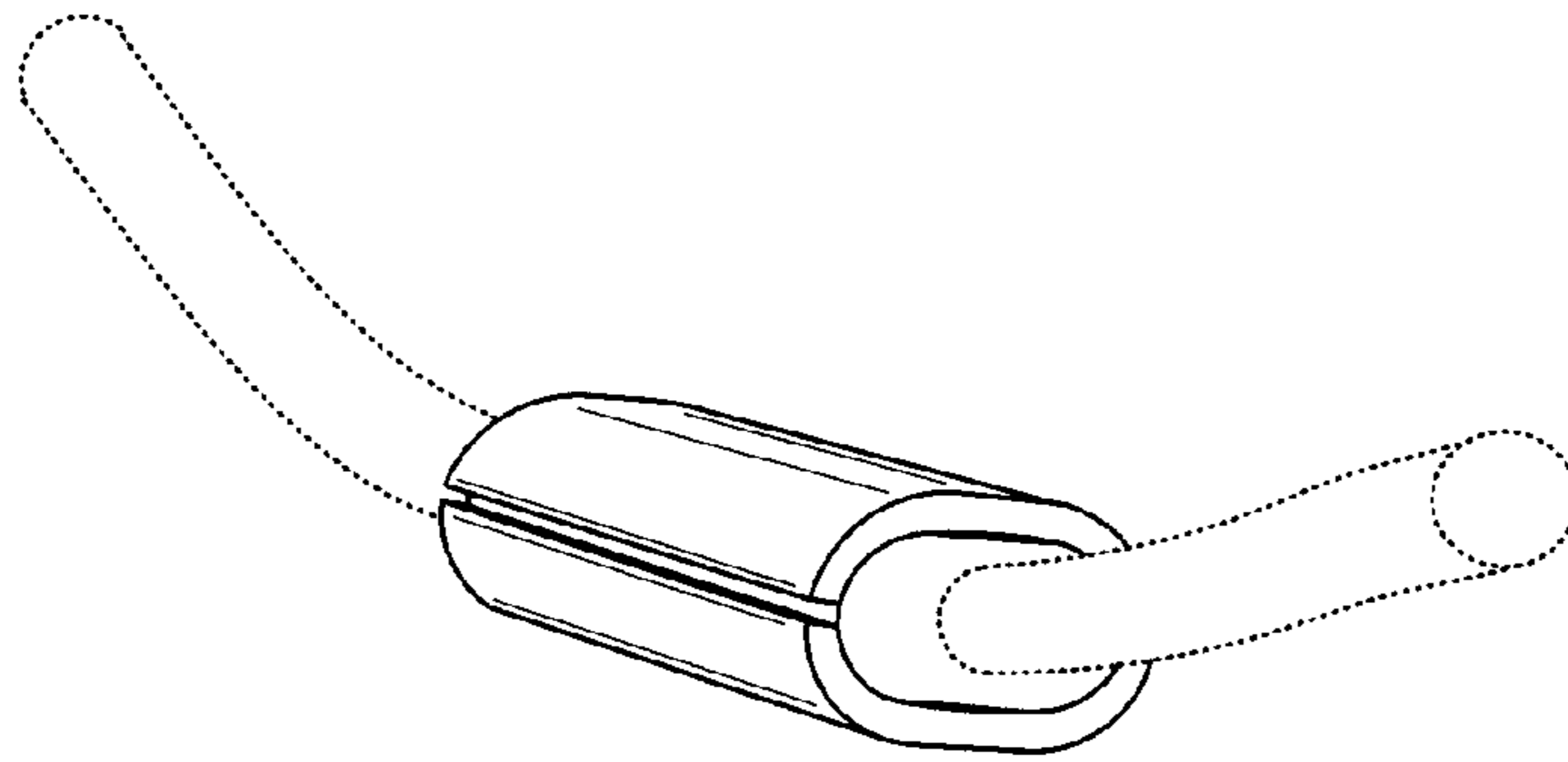


FIG. 2

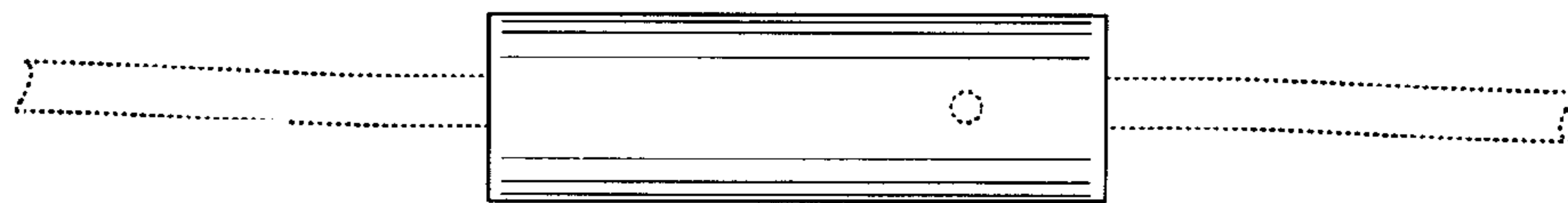


FIG. 3

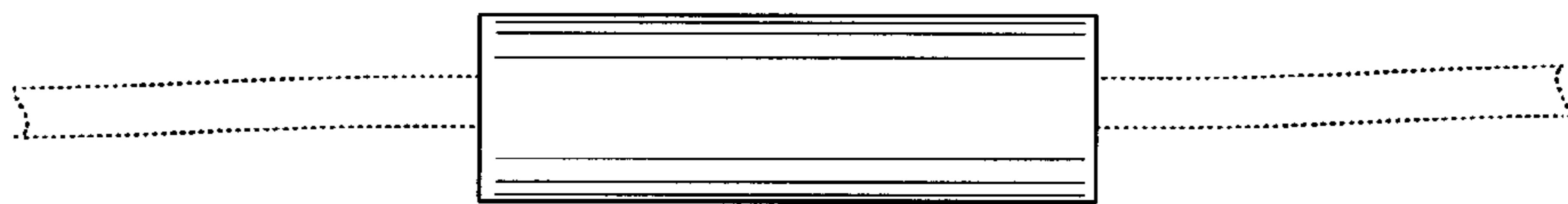


FIG. 4

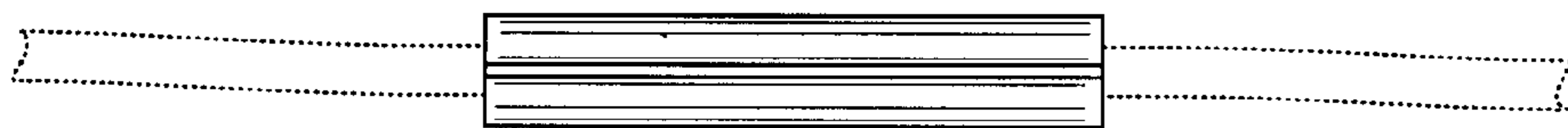


FIG. 5

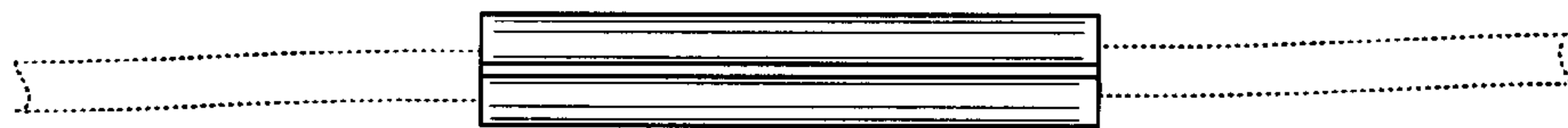


FIG. 6

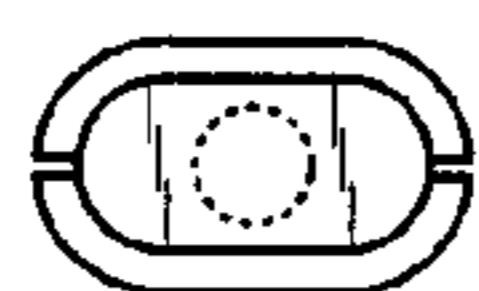


FIG. 7

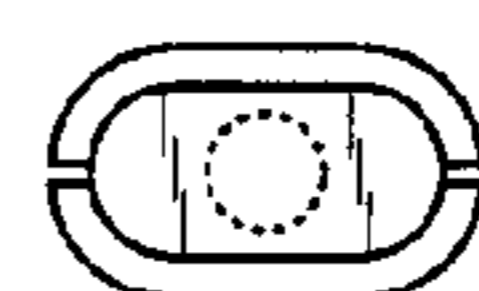


FIG. 8