



US00D582352S

(12) **United States Design Patent**
Gya

(10) **Patent No.:** **US D582,352 S**
(45) **Date of Patent:** **** Dec. 9, 2008**

(54) **CABLE LADDER FOR CABLE WAYS**

(75) Inventor: **Arne Gya**, Bryne (NO)

(73) Assignee: **Oglaend System AS**, Kleppe (NO)

(**) Term: **14 Years**

(21) Appl. No.: **29/259,366**

(22) Filed: **May 8, 2006**

(30) **Foreign Application Priority Data**

Nov. 9, 2005 (NO) 20050650

(51) **LOC (8) Cl.** **13-03**

(52) **U.S. Cl.** **D13/155**

(58) **Field of Classification Search** D8/356;
D13/154-157, 184; 104/275; 138/106-107,
138/112-113, 116-117, 155-158, 162-163,
138/166-169, 174; 14/169.5; 174/101, 38,
174/68.1, 68.3, 72 A, 72 C, 75 R, 84 R, 91,
174/92, 95, 97; D25/119, 121, 124
See application file for complete search history.

(56) **References Cited**

U.S. PATENT DOCUMENTS

1,085,429 A * 1/1914 Kahn et al. 52/731.7

(Continued)

Primary Examiner—Jennifer Rivard

Assistant Examiner—Rosemary K Tarcza

(74) *Attorney, Agent, or Firm*—Gable Gotwals

(57) **CLAIM**

I claim the ornamental design for a cable ladder for cable ways, as shown and described.

DESCRIPTION

FIG. 1 is a top view of the I-profile for a cable ladder for cable ways, shown separately, illustrating my new design.

FIG. 2 is a bottom view thereof.

FIG. 3 is a left hand view thereof.

FIG. 4 is a right hand view thereof.

FIG. 5 is a front view thereof.

FIG. 6 is a rear view thereof.

FIG. 7 is a perspective view from below the I-profile for a cable ladder used for cable ways.

FIG. 8 is a perspective view from above the I-profile for a cable ladder used for cable ways thereof.

FIG. 9 is a top view of the step for a cable ladder for cable ways, shown separately, illustrating my new design.

FIG. 10 is a bottom view thereof.

FIG. 11 is a left hand view thereof.

FIG. 12 is a right hand view thereof.

FIG. 13 is a front view thereof.

FIG. 14 is a rear view thereof.

FIG. 15 is a perspective view from below the step for a cable ladder used for cable ways.

FIG. 16 is a perspective view from above the step for a cable ladder used for cable ways thereof.

FIG. 17 is a top view of the cable ladder used for cable ways illustrating my new design assembled from the I-profiles and steps shown in FIGS. 1 through 16.

FIG. 18 is a bottom view thereof.

FIG. 19 is a left hand view thereof.

FIG. 20 is a right hand view thereof.

FIG. 21 is a front view thereof.

FIG. 22 is a rear view thereof.

FIG. 23 is a perspective view from below the cable ladder; and,

FIG. 24 is a perspective view from above the cable ladder thereof.

The broken lines shown in the figures are included to represent that the claimed design is of undetermined length, and form no part of the claimed design.

1 Claim, 24 Drawing Sheets



US D582,352 S

Page 2

U.S. PATENT DOCUMENTS

D115,247 S *	6/1939	Bonnell	D25/119	D292,974 S *	12/1987	Kenning et al.	D13/155
2,231,982 A *	2/1941	Zalkind	220/592.2	D300,568 S *	4/1989	Dallaire et al.	D25/124
2,292,395 A *	8/1942	O'Brien	174/101	D328,500 S *	8/1992	Hardy	D25/119
D189,447 S *	12/1960	Attwood	D25/121	5,359,143 A *	10/1994	Simon	174/101
3,598,349 A *	8/1971	Drake	248/49	D361,982 S *	9/1995	Rinderer	D13/155
D240,707 S *	7/1976	Rudinski	D8/377	5,580,014 A *	12/1996	Rinderer	248/49
3,989,399 A *	11/1976	Slowbe	403/245	D420,149 S *	2/2000	Hersh et al.	D25/119
D248,823 S *	8/1978	Eckerline	D8/382	D427,325 S *	6/2000	Ginzel	D25/119
4,129,743 A *	12/1978	Lohsl	174/38	6,107,576 A *	8/2000	Morton et al.	174/101
4,432,519 A *	2/1984	Wright	248/49	6,983,770 B2 *	1/2006	Kondou et al.	138/177
D278,229 S *	4/1985	Widell et al.	D13/147	D539,228 S *	3/2007	Toikka et al.	D13/155

* cited by examiner

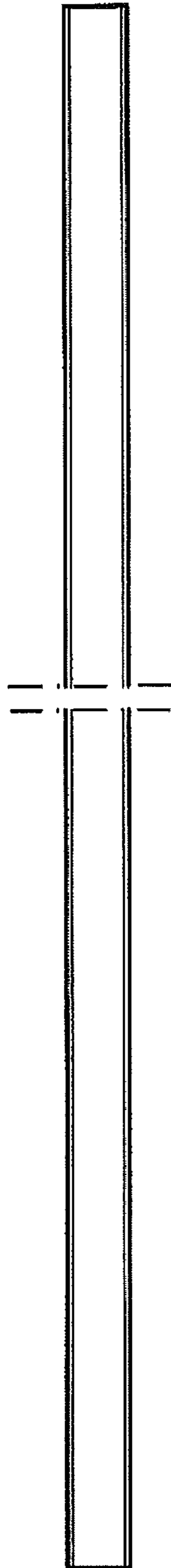


Fig. 1

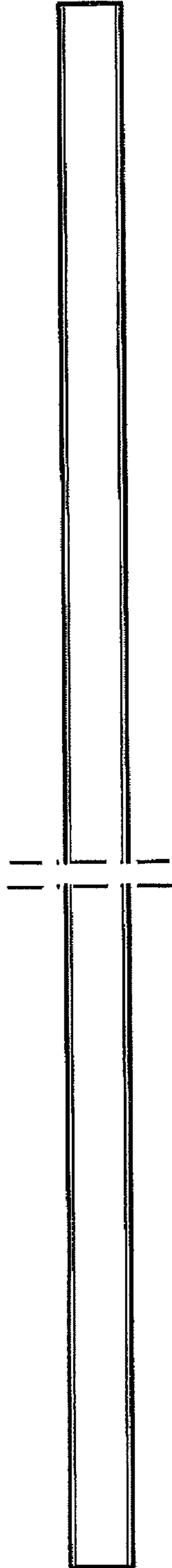


Fig. 2

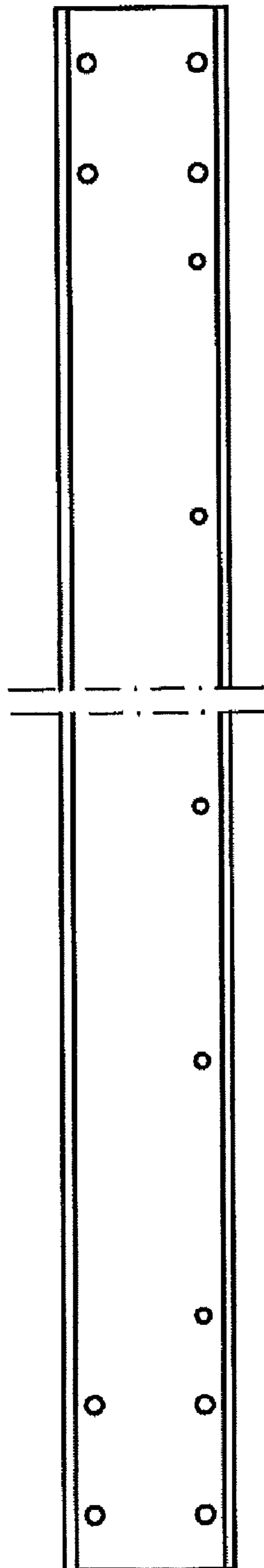


Fig. 3

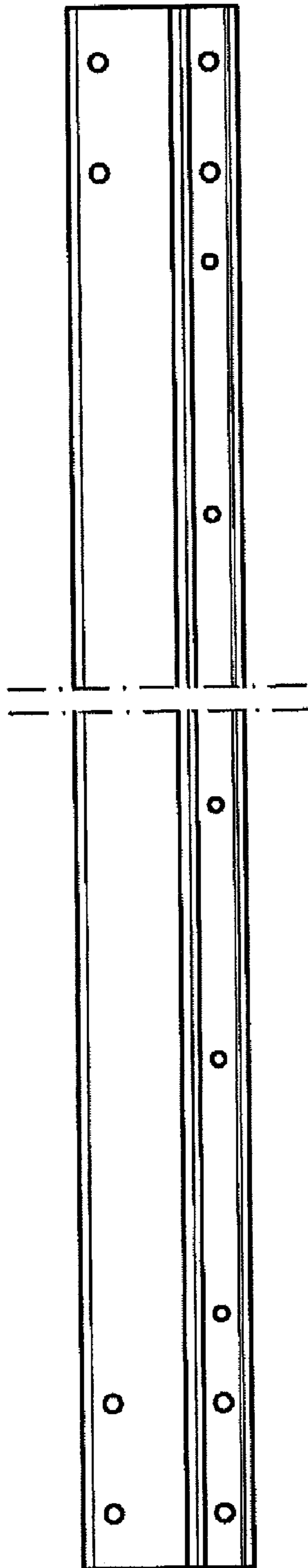


Fig. 4

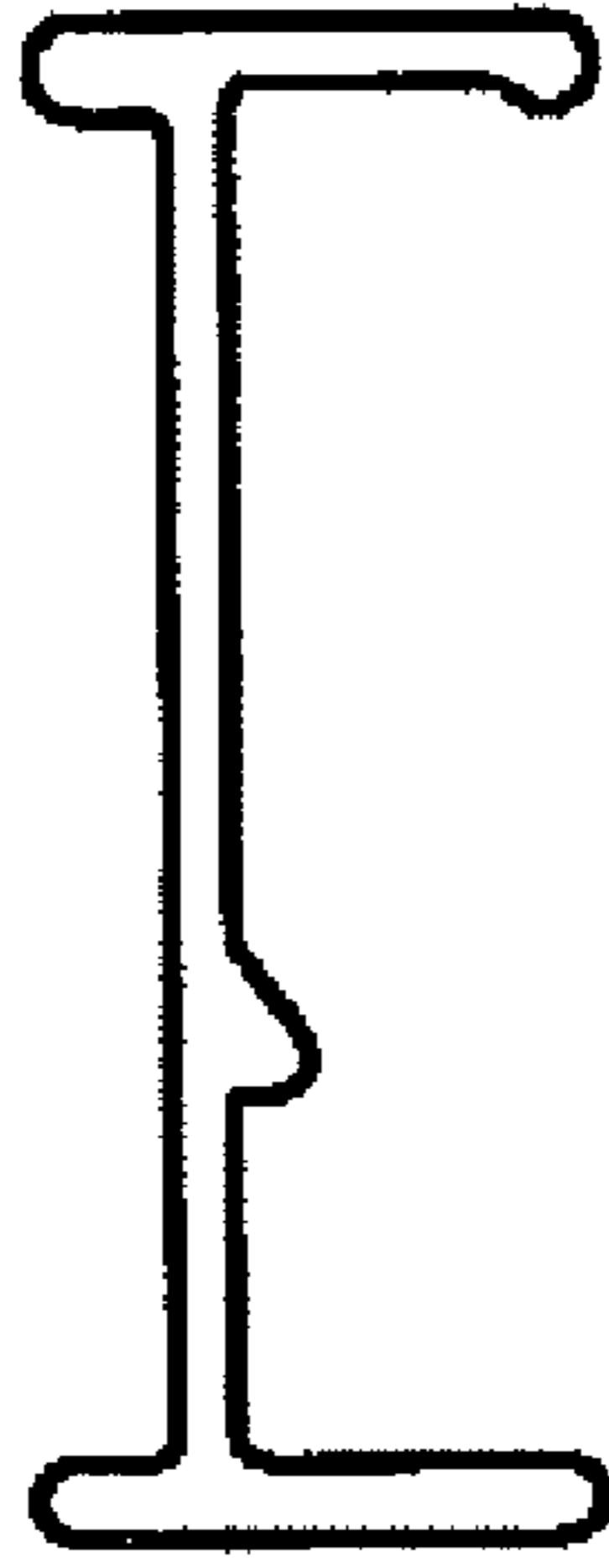


Fig. 5

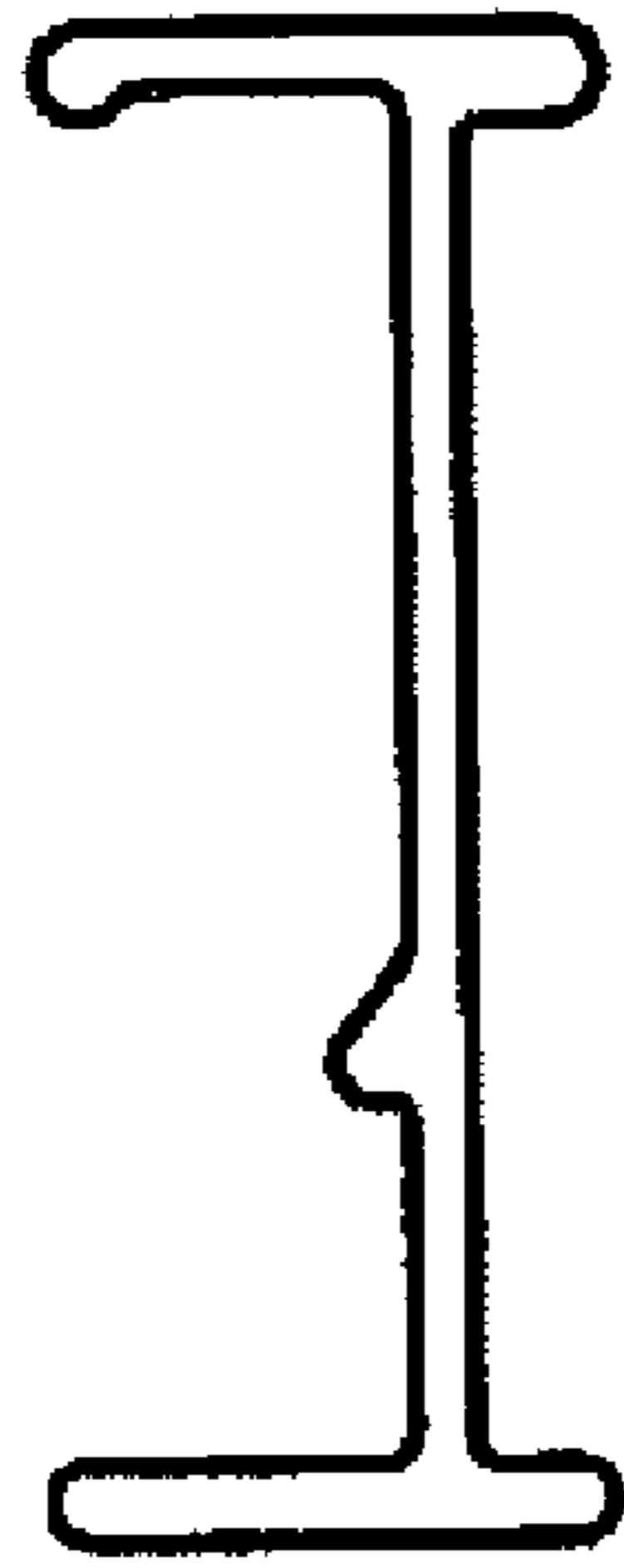


Fig. 6

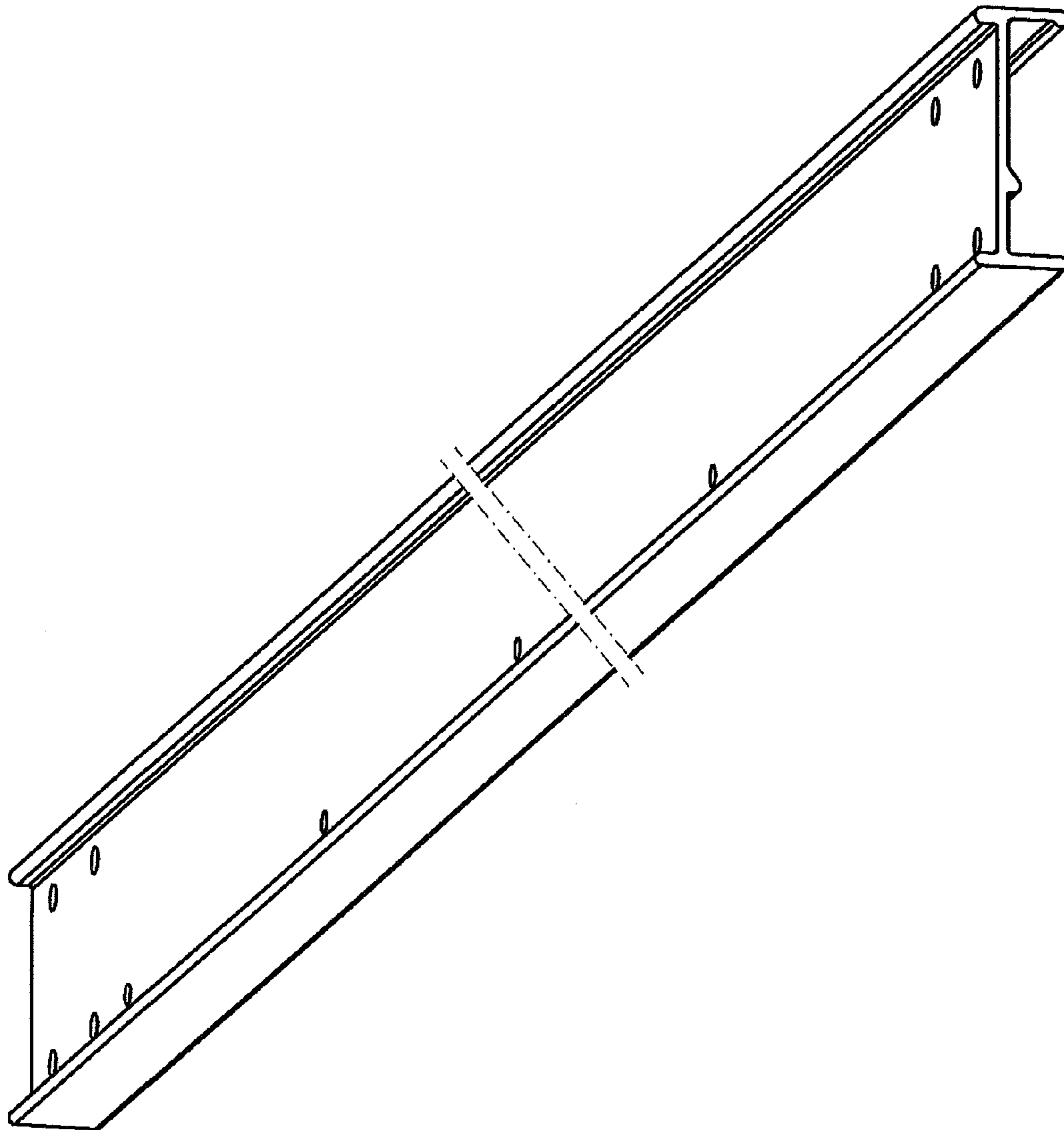


Fig. 7

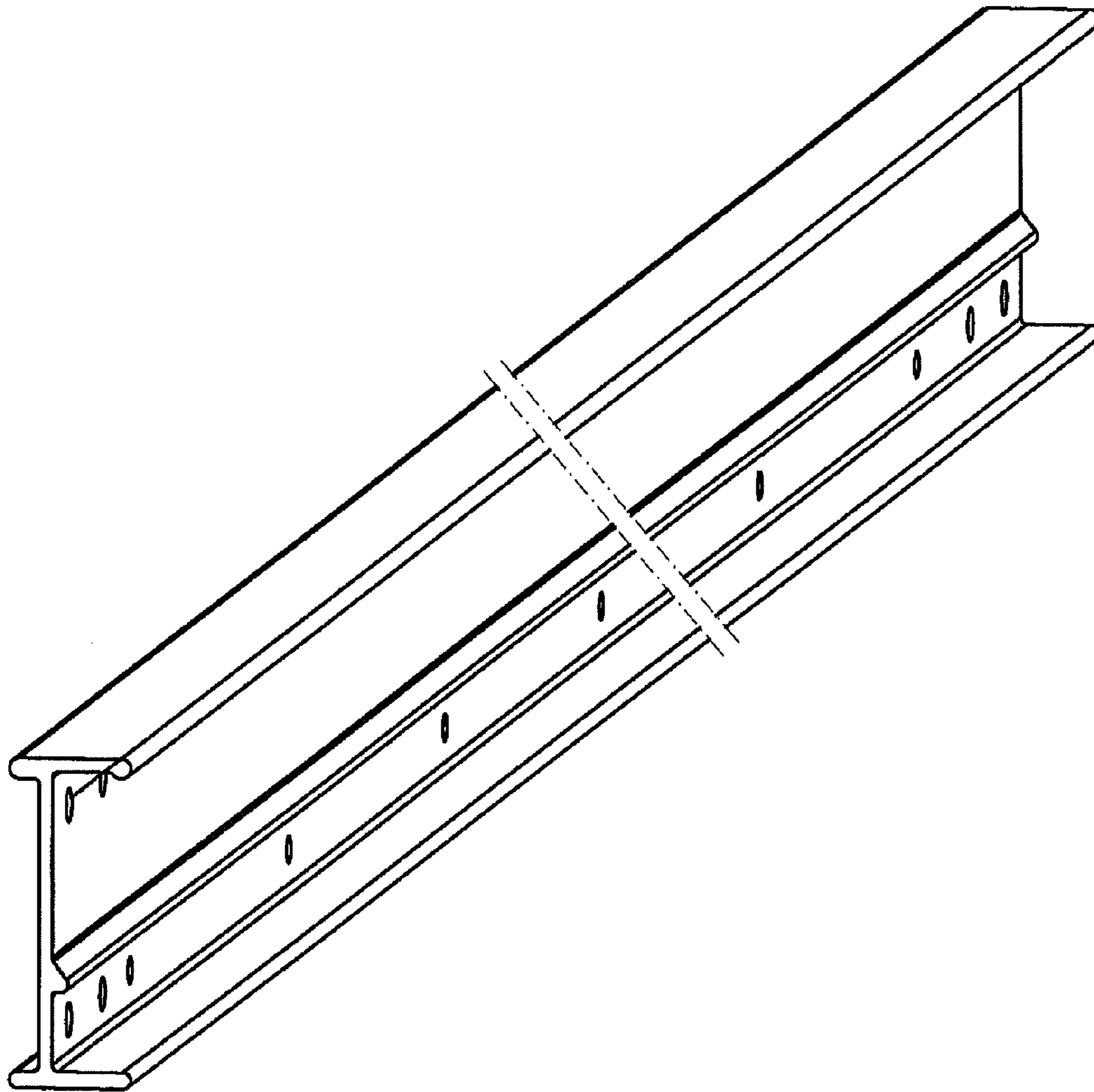


Fig. 8

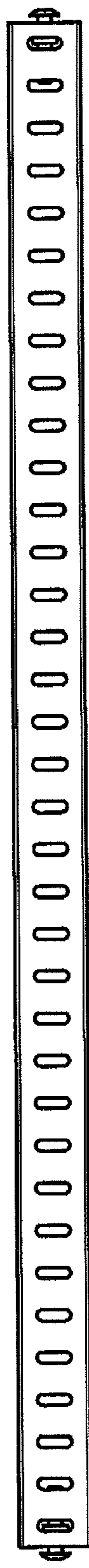


Fig. 9

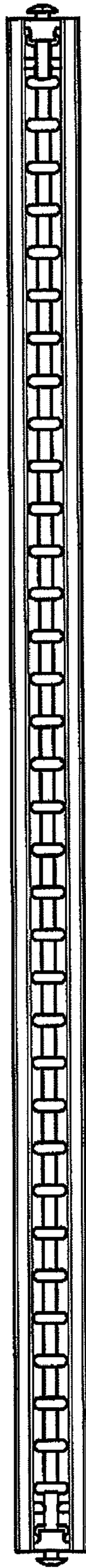


Fig. 10

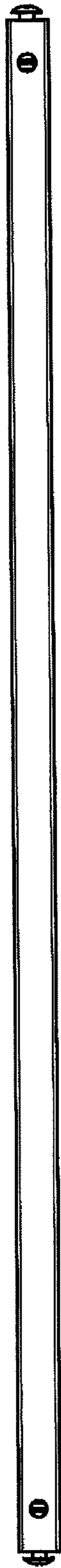


Fig. 11

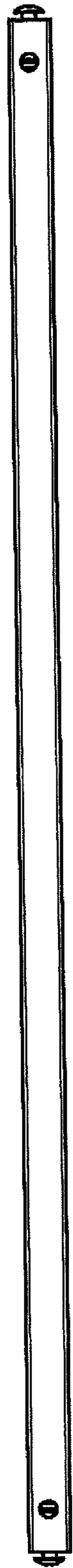


Fig. 12

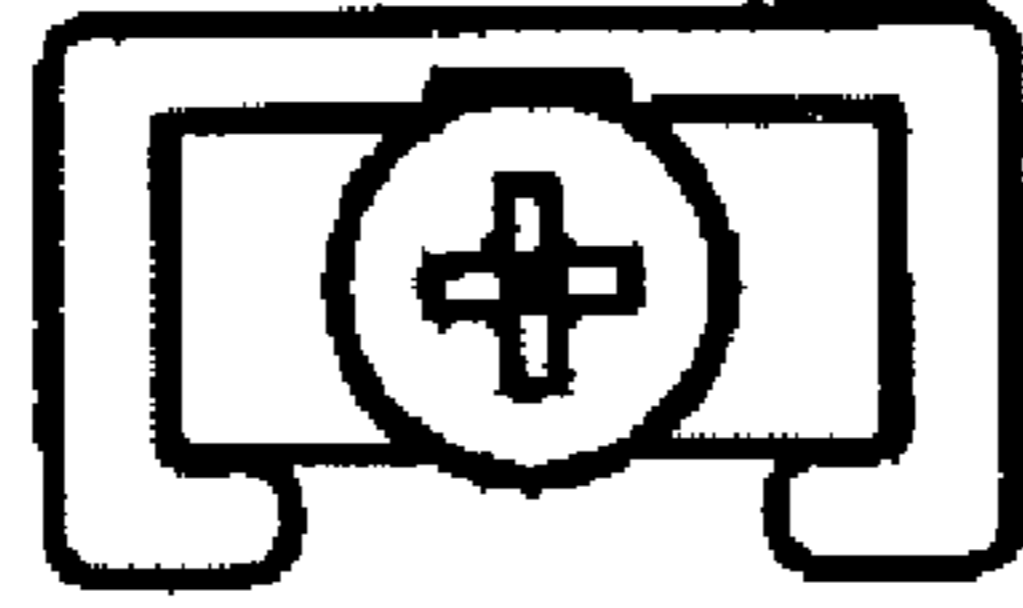


Fig. 13

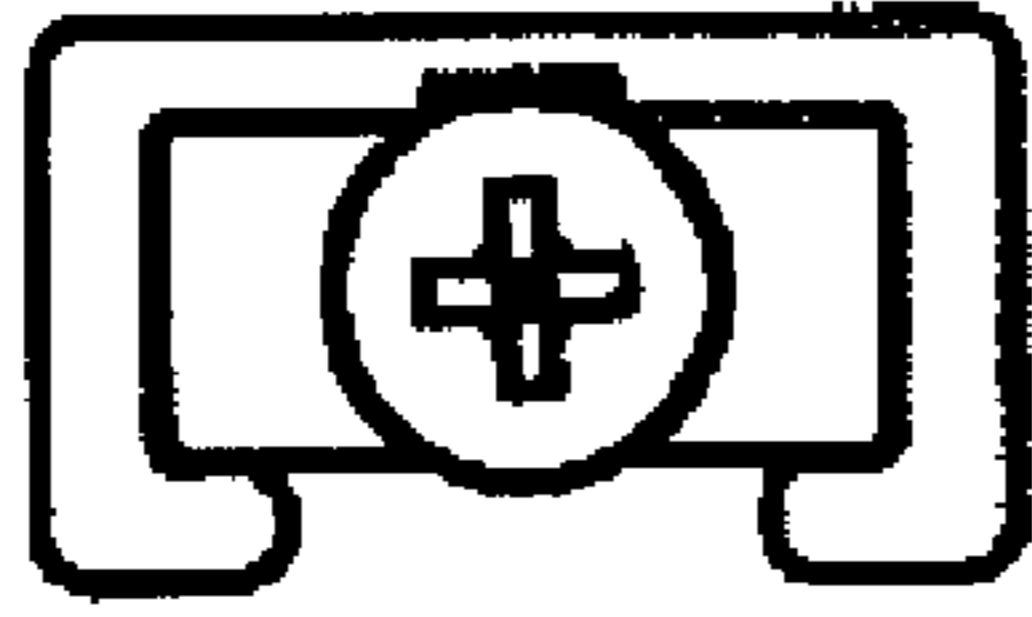


Fig. 14

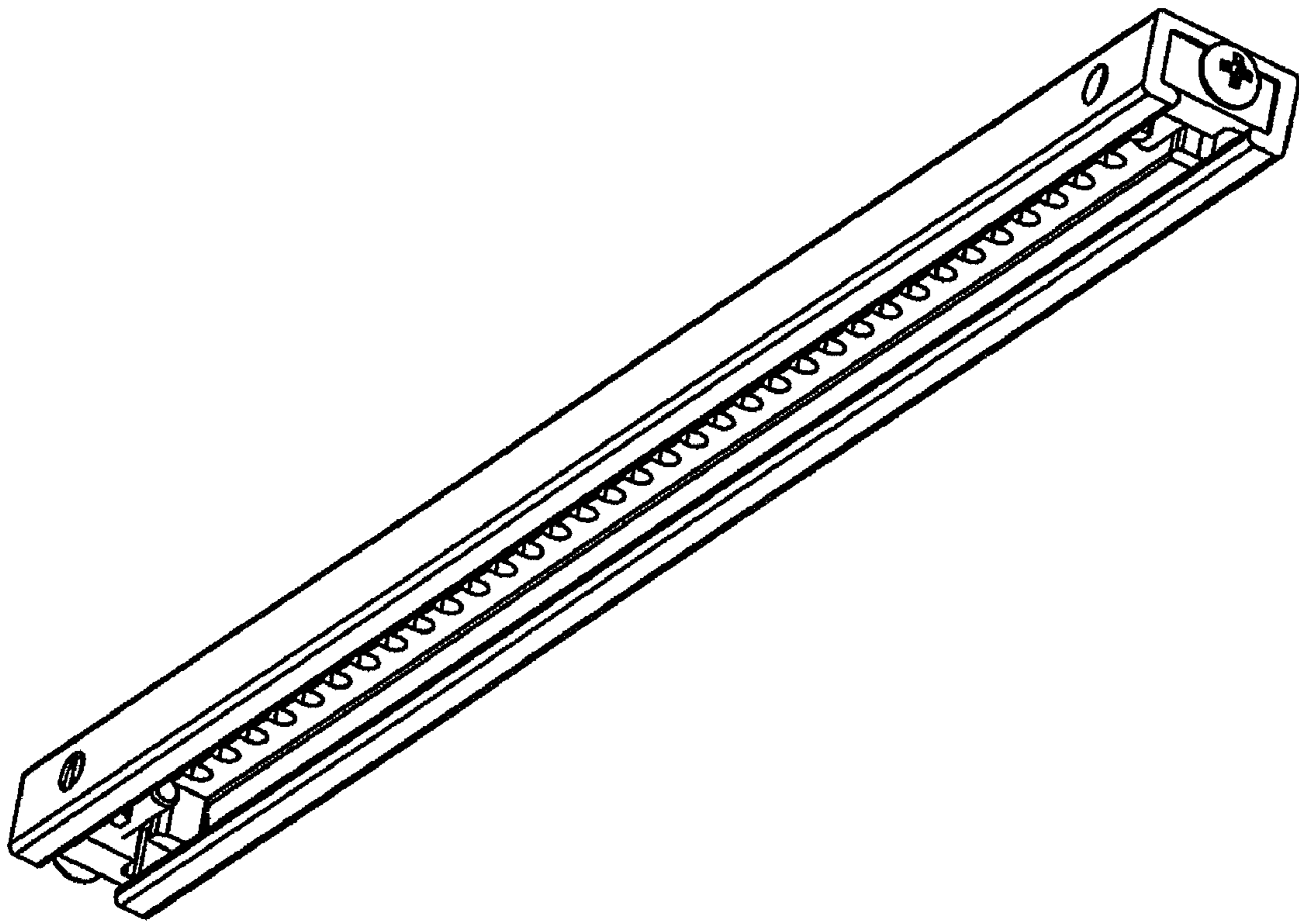


Fig. 15

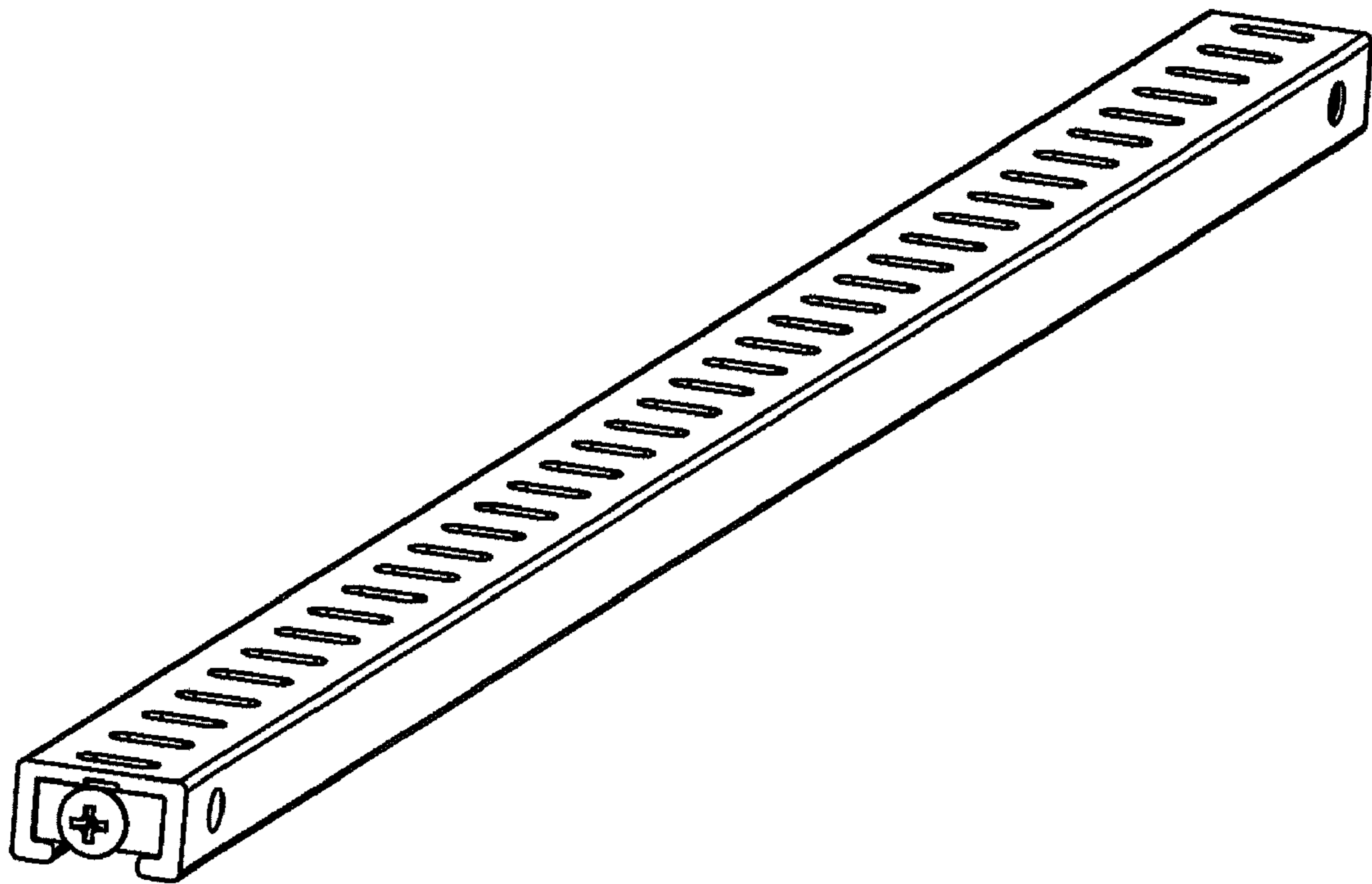


Fig. 16

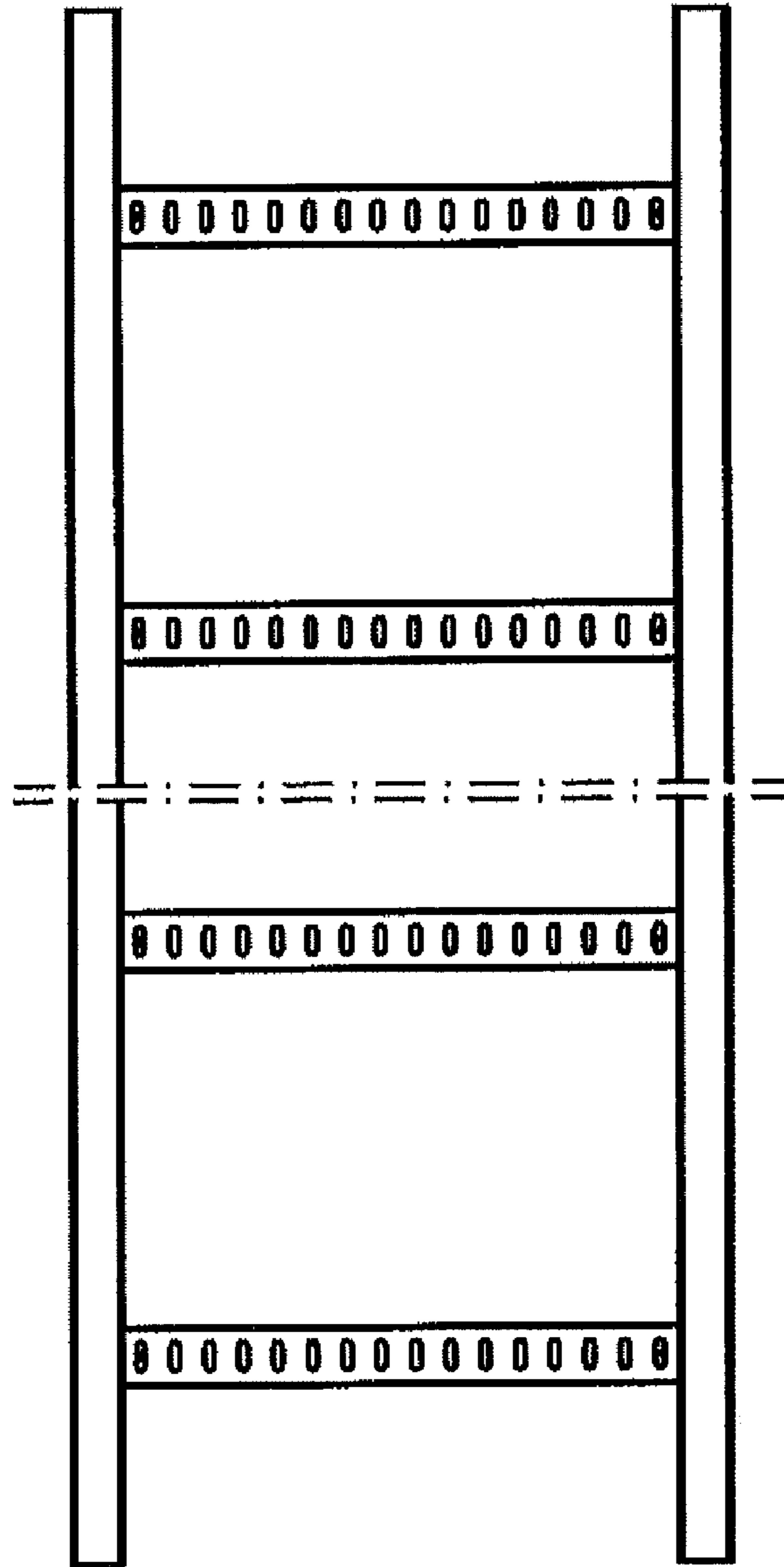


Fig. 17

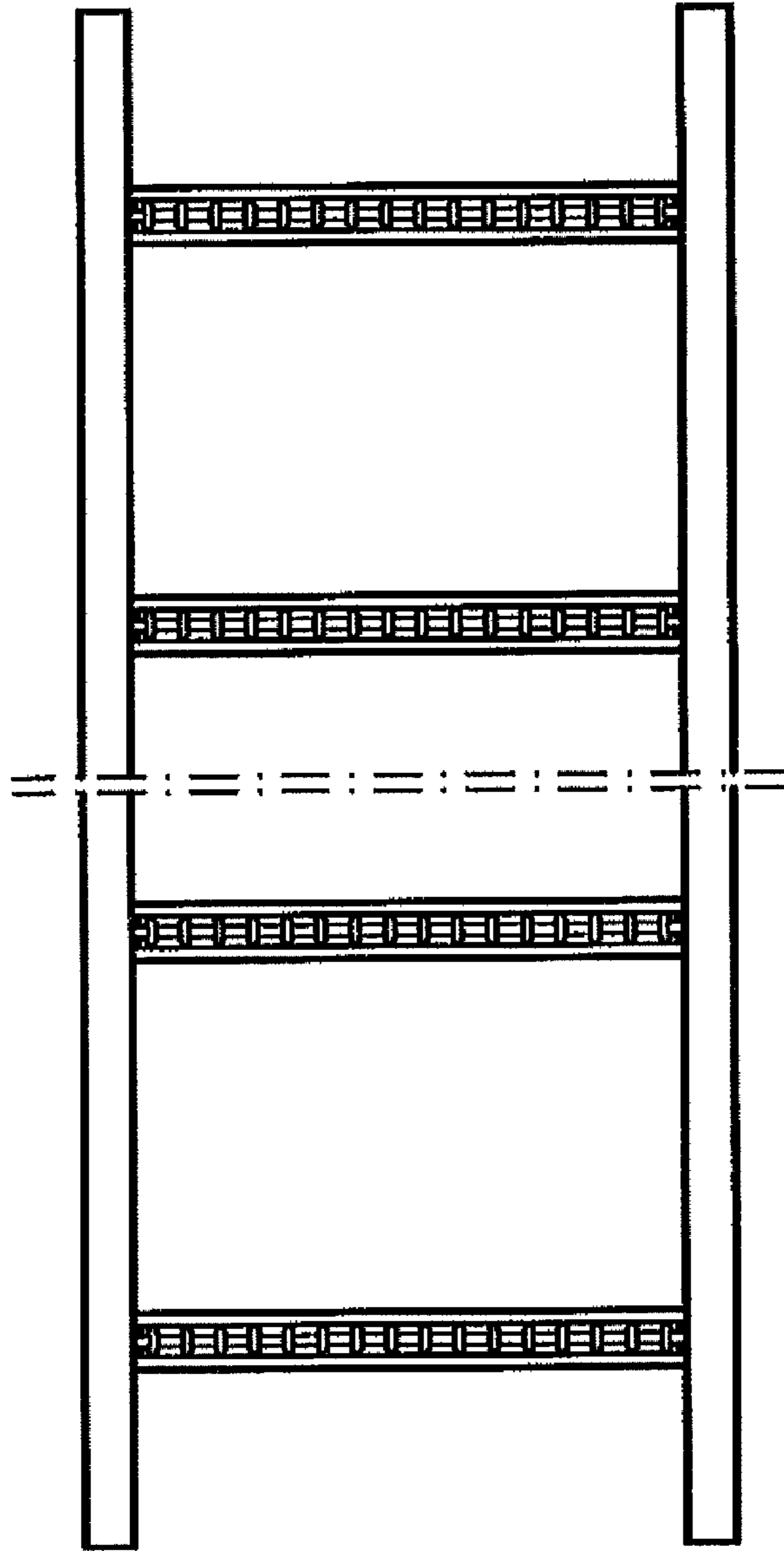


Fig. 18

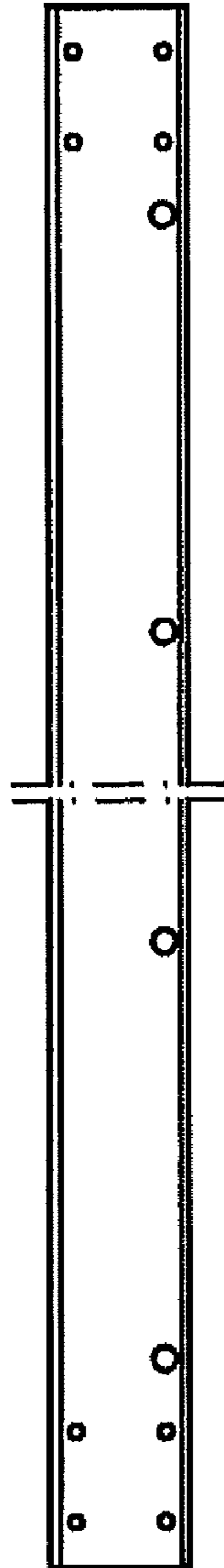


Fig. 19

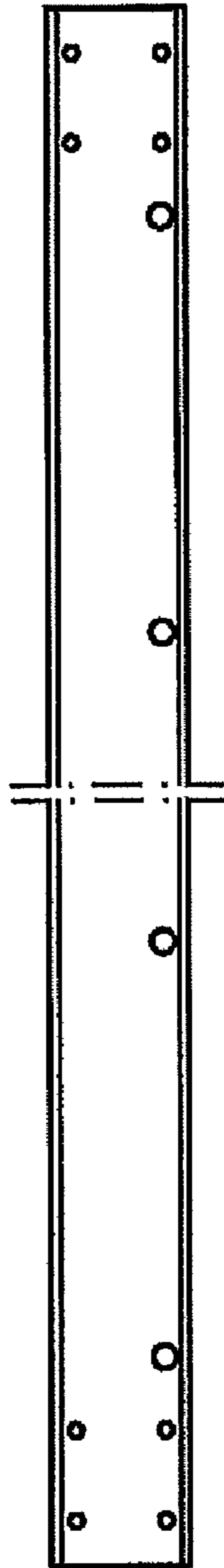


Fig. 20



Fig. 21



Fig. 22

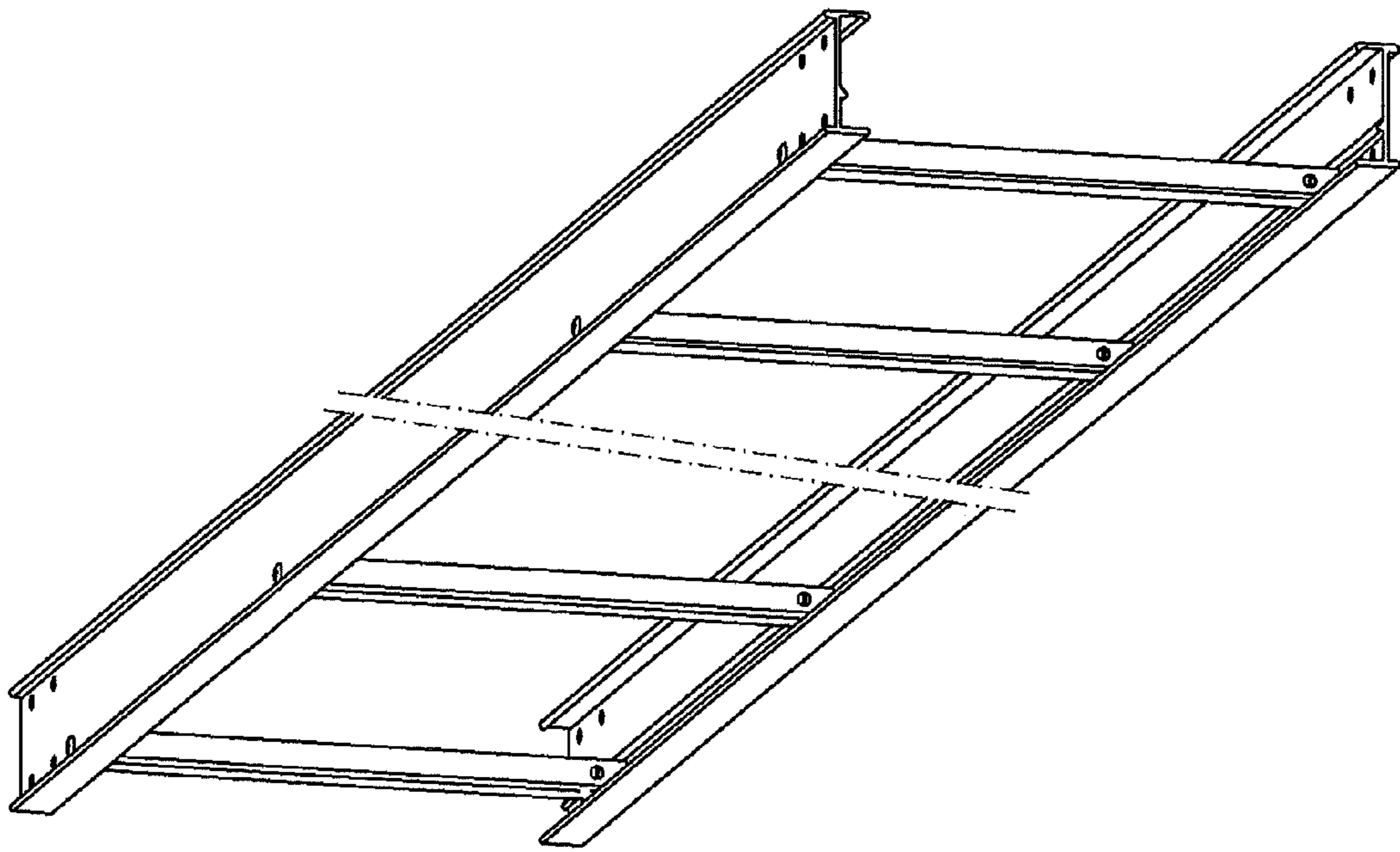


Fig. 23

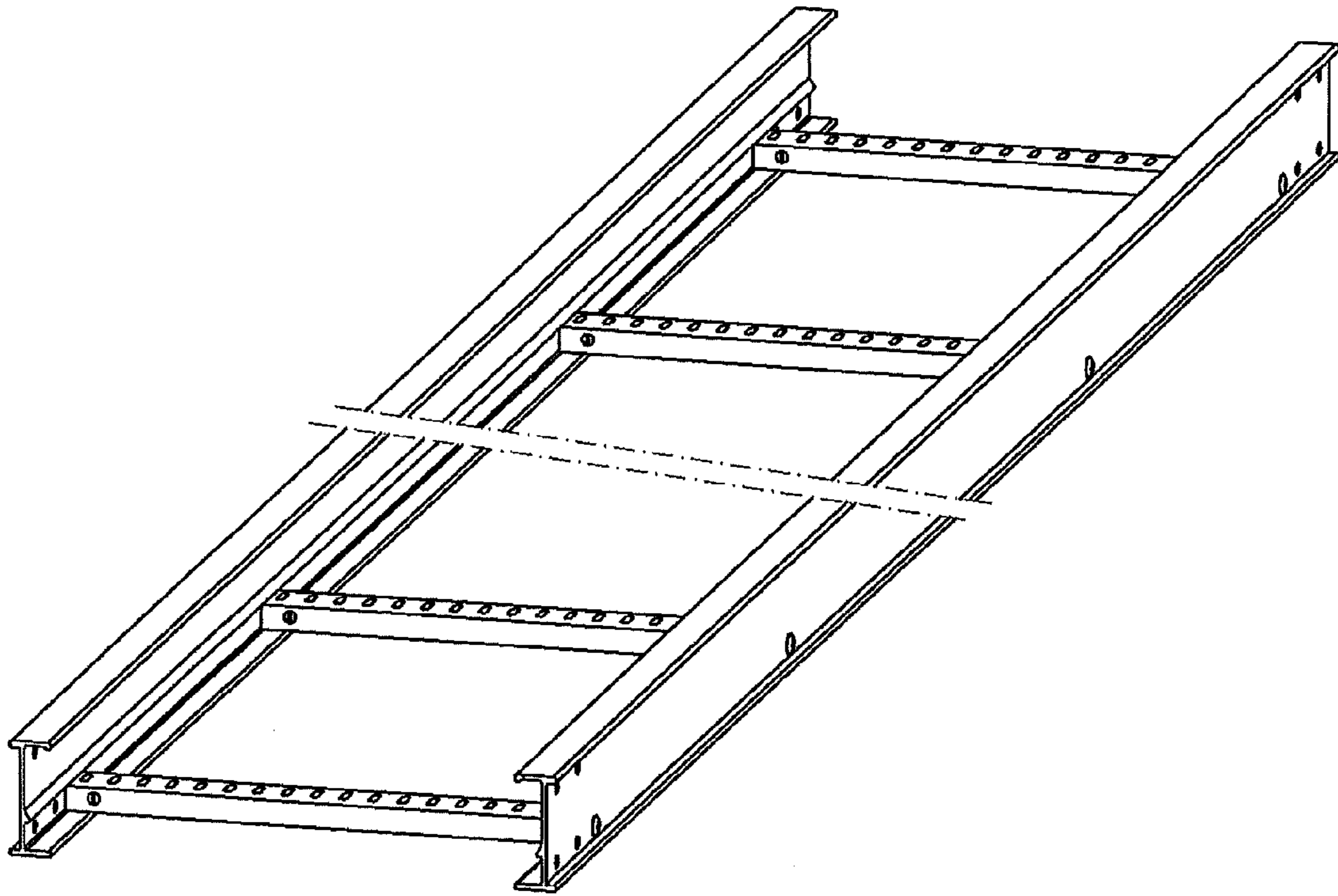


Fig. 24