



US00D582351S

(12) **United States Design Patent**
Gya

(10) **Patent No.:** **US D582,351 S**
(45) **Date of Patent:** **** Dec. 9, 2008**

(54) **U-PROFILE CABLE WAYS**

(75) Inventor: **Arne Gya, Byrne (NO)**

(73) Assignee: **Oglaend System AS, Kleppe (NO)**

(**) Term: **14 Years**

(21) Appl. No.: **29/259,365**

(22) Filed: **May 8, 2006**

(30) **Foreign Application Priority Data**

Nov. 9, 2005 (NO) 20050650

(51) **LOC (8) Cl.** **13-03**

(52) **U.S. Cl.** **D13/155**

(58) **Field of Classification Search** D8/356;
D13/154-157, 184; 104/275; 138/106-107,
138/112-113, 116-117, 155-158, 162-163,
138/166-169, 174; 14/169.5; 174/101, 38,
174/68.1, 68.3, 72 A, 72 C, 75 R, 84 R, 91,
174/92, 95, 97

See application file for complete search history.

(56) **References Cited**

U.S. PATENT DOCUMENTS

1,817,034	A *	8/1931	Hotchkin	174/72 C
2,292,395	A *	8/1942	O'Brien	174/101
D189,447	S *	12/1960	Attwood	D25/121
3,761,603	A *	9/1973	Hays et al.	174/101
4,398,564	A *	8/1983	Young et al.	138/92
D278,229	S *	4/1985	Widell et al.	D13/147
D298,858	S *	12/1988	Andersson et al.	D25/164
D358,982	S *	6/1995	Bosgoed	D8/376
D419,858	S *	2/2000	Bosgoed	D8/377
D420,149	S *	2/2000	Hersh et al.	D25/119
6,983,770	B2 *	1/2006	Kondou et al.	138/177
7,034,227	B2 *	4/2006	Fox	174/95
7,250,574	B2 *	7/2007	Fox	174/95

* cited by examiner

Primary Examiner—Jennifer Rivard
Assistant Examiner—Rosemary K Tarcza
(74) *Attorney, Agent, or Firm*—Gable Gotwals

(57) **CLAIM**

I claim the ornamental design for a U-profile cable ways, as shown and described.

DESCRIPTION

FIG. 1 is a top view of the U-profile cable ways illustrating my new design.

FIG. 2 is a bottom view thereof.

FIG. 3 is a left hand view thereof.

FIG. 4 is a right hand view thereof.

FIG. 5 is a front view thereof.

FIG. 6 is a rear view thereof.

FIG. 7 is a perspective view from below the U-profile cable ways.

FIG. 8 is a perspective view from above the U-profile cable ways thereof.

FIG. 9 is a top view of an alternate embodiment of the U-profile cable ways illustrating my new design.

FIG. 10 is a bottom view thereof.

FIG. 11 is a left hand view thereof.

FIG. 12 is a right hand view thereof.

FIG. 13 is a front view thereof.

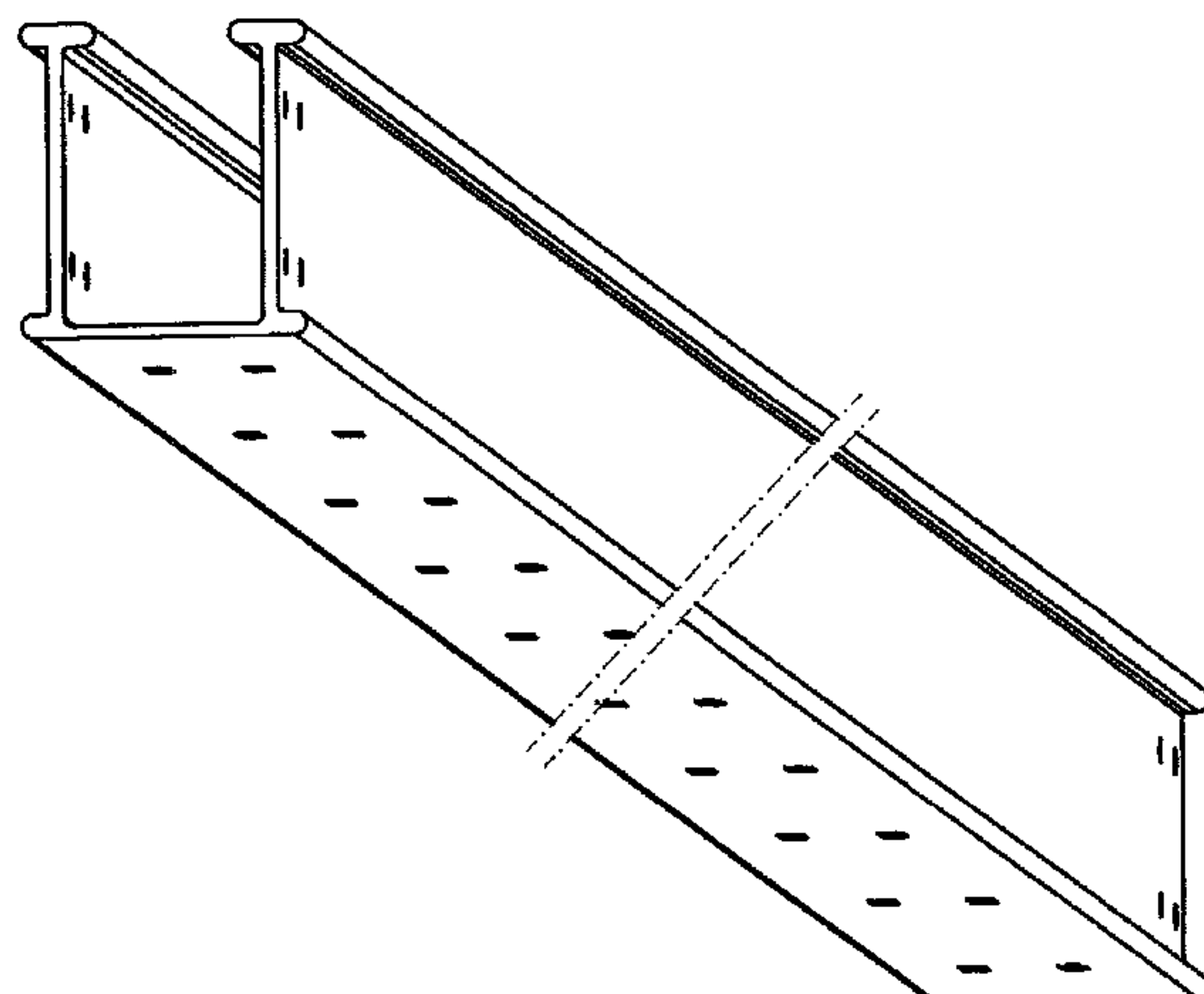
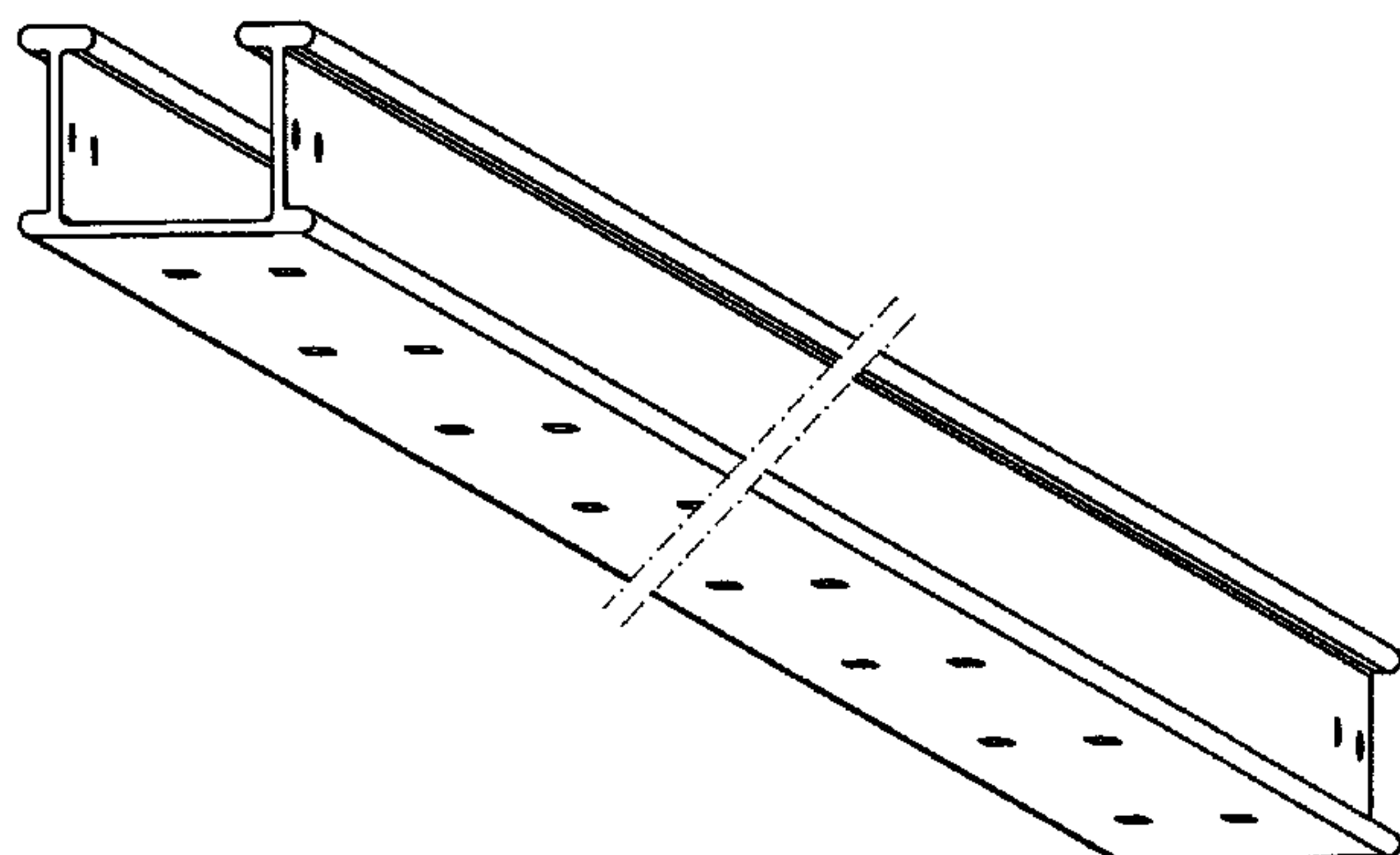
FIG. 14 is a rear view thereof.

FIG. 15 is a perspective view from below the U-profile cable ways; and,

FIG. 16 is a perspective view from above the U-profile cable ways thereof.

The broken lines shown in the figures are included to represent that the claimed design is of undetermined length, and form no part of the claimed design.

1 Claim, 16 Drawing Sheets



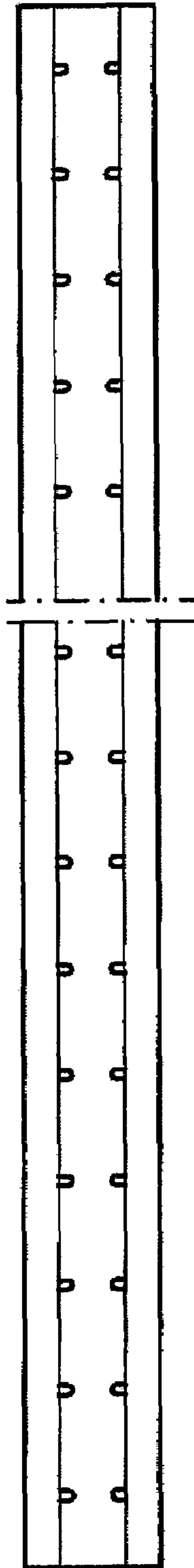


Fig. 1

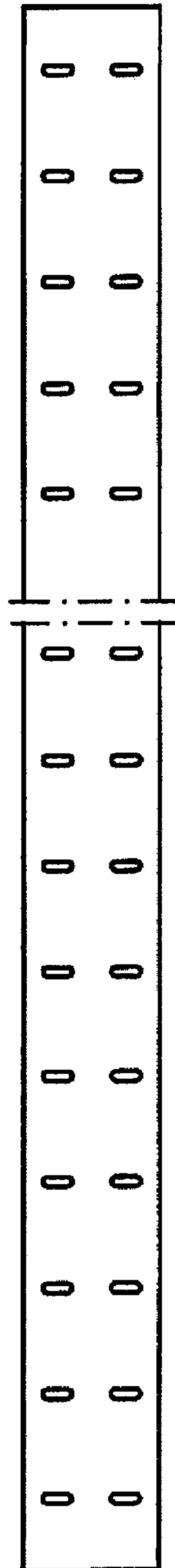


Fig. 2

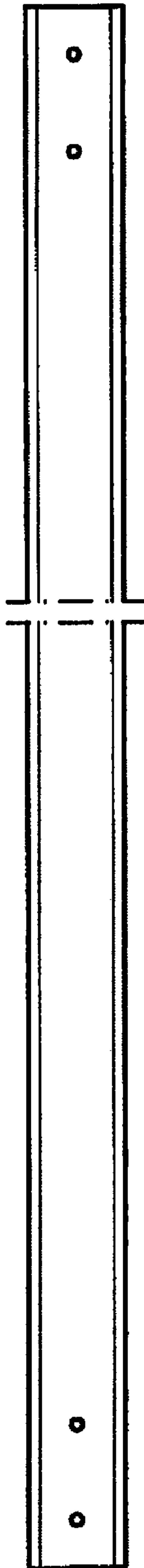


Fig. 3

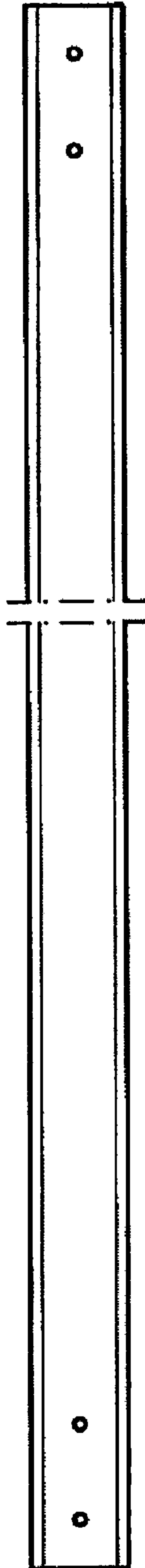


Fig. 4

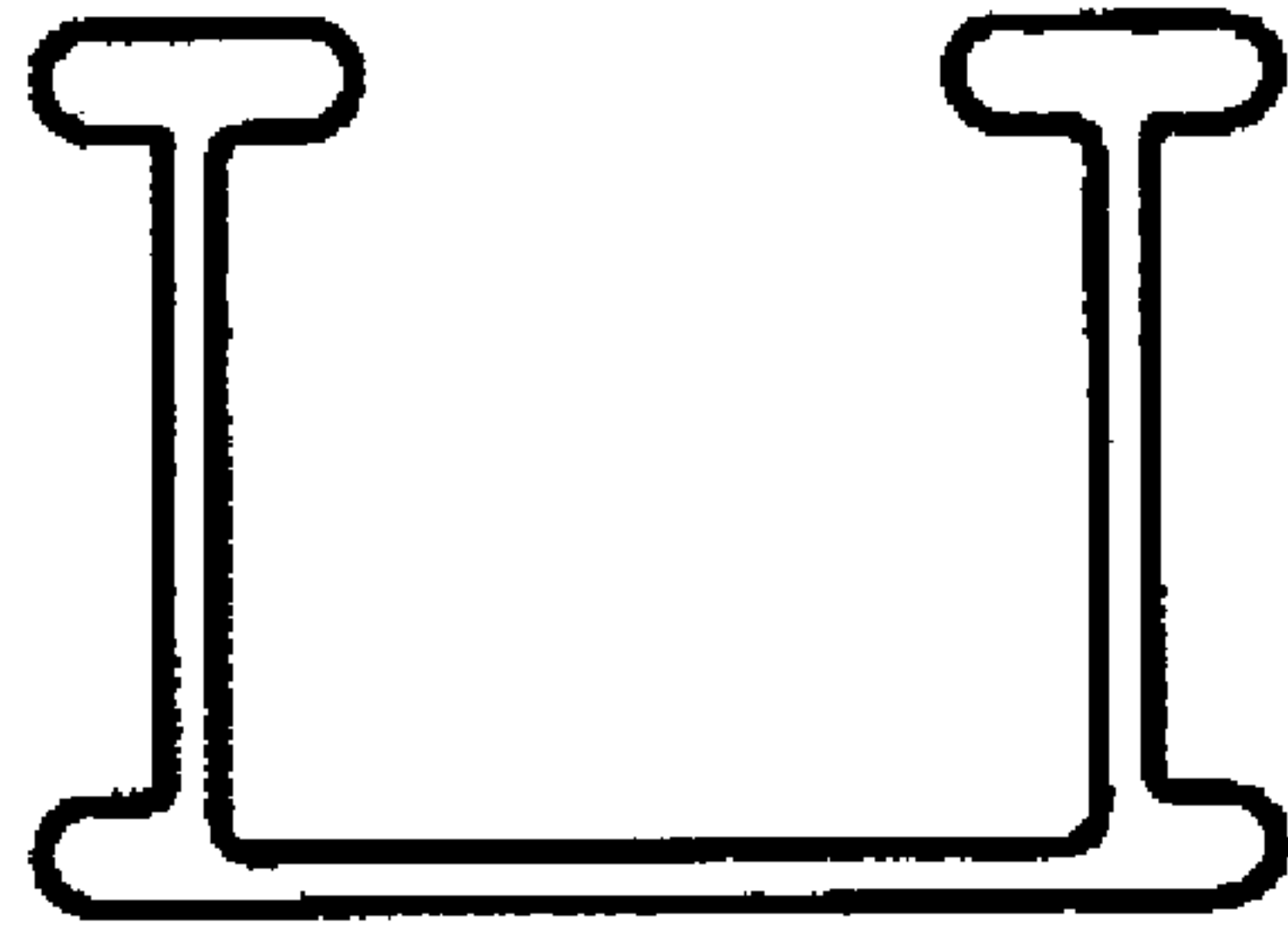


Fig. 5

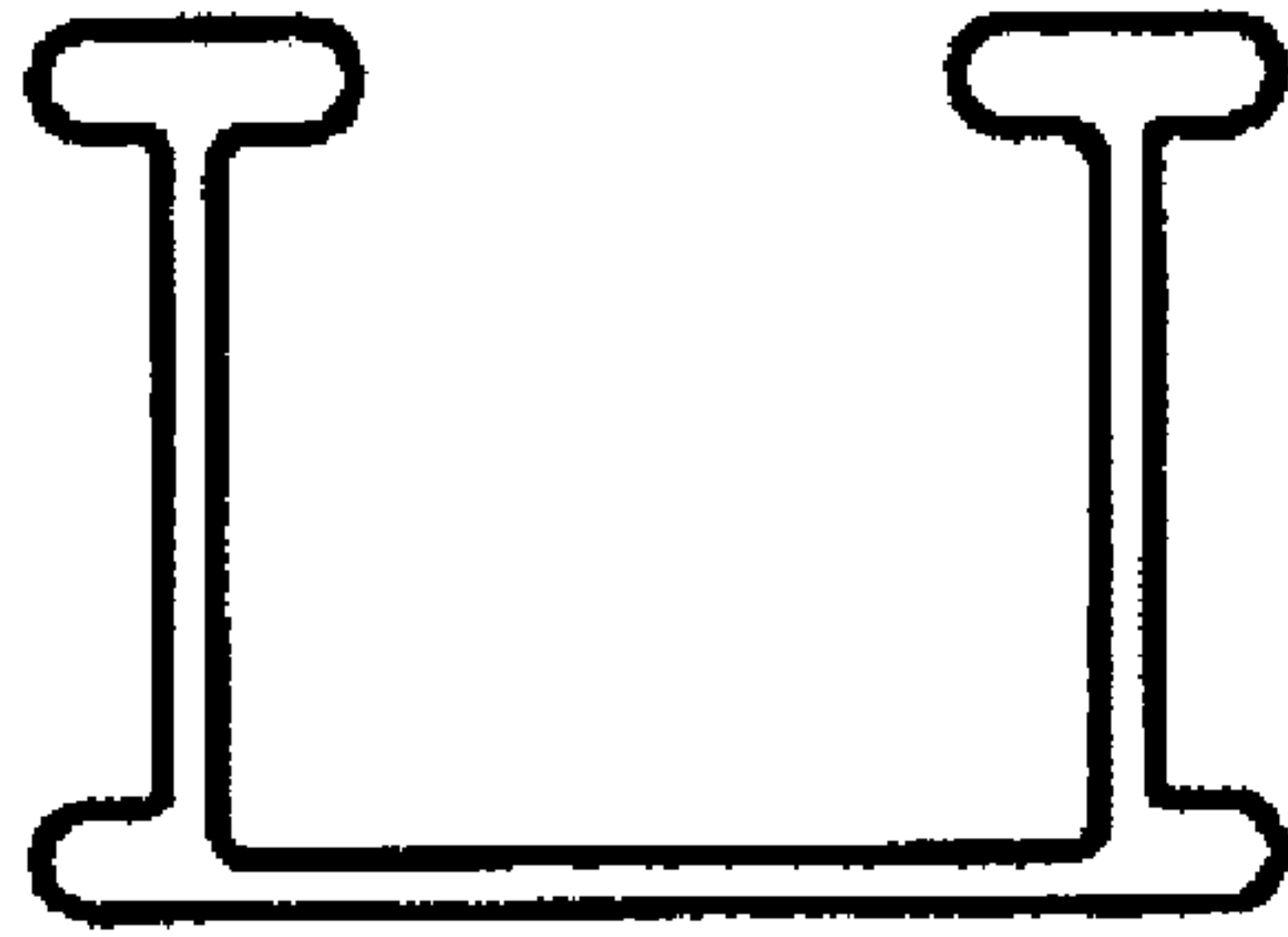


Fig. 6

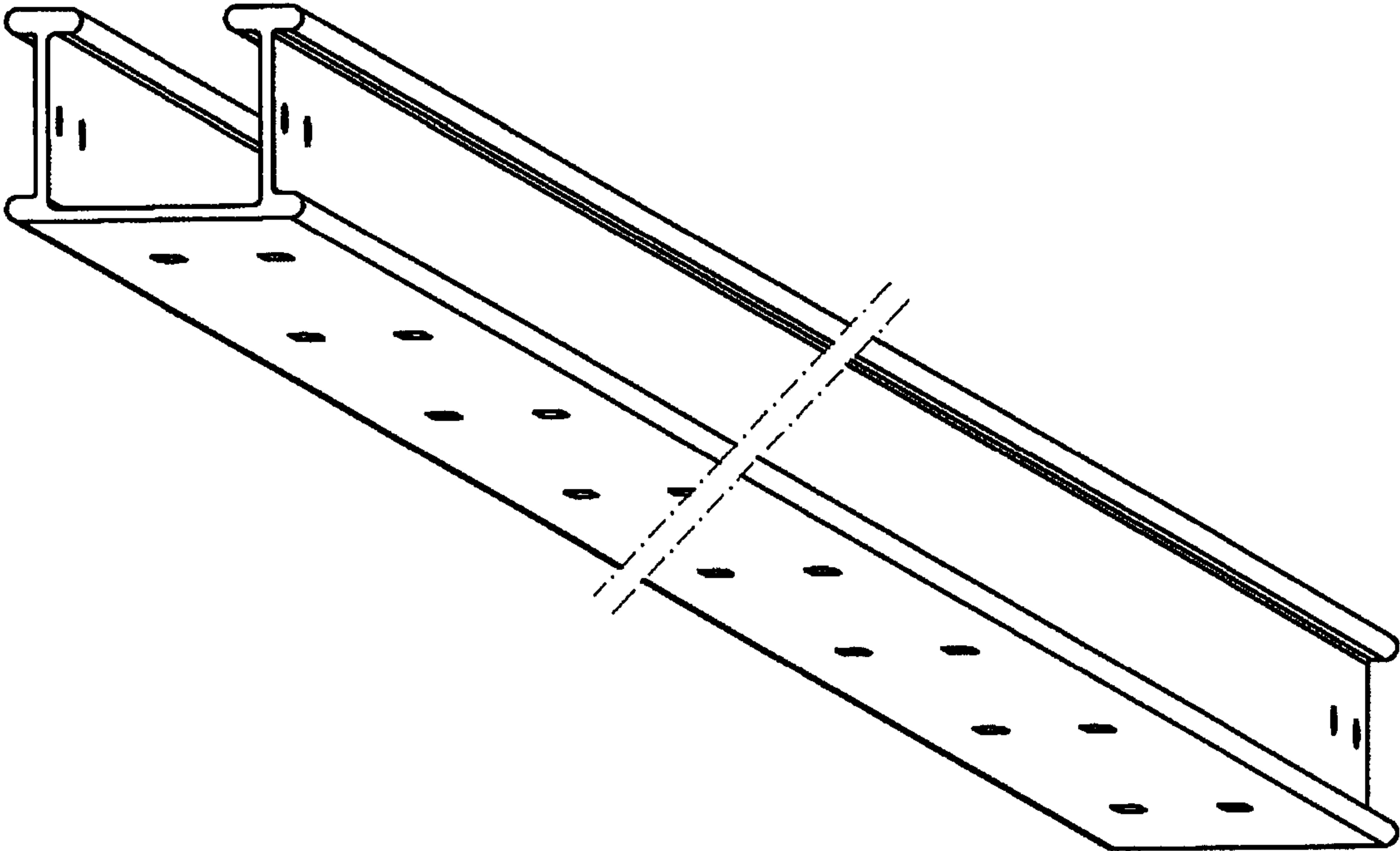


Fig. 7

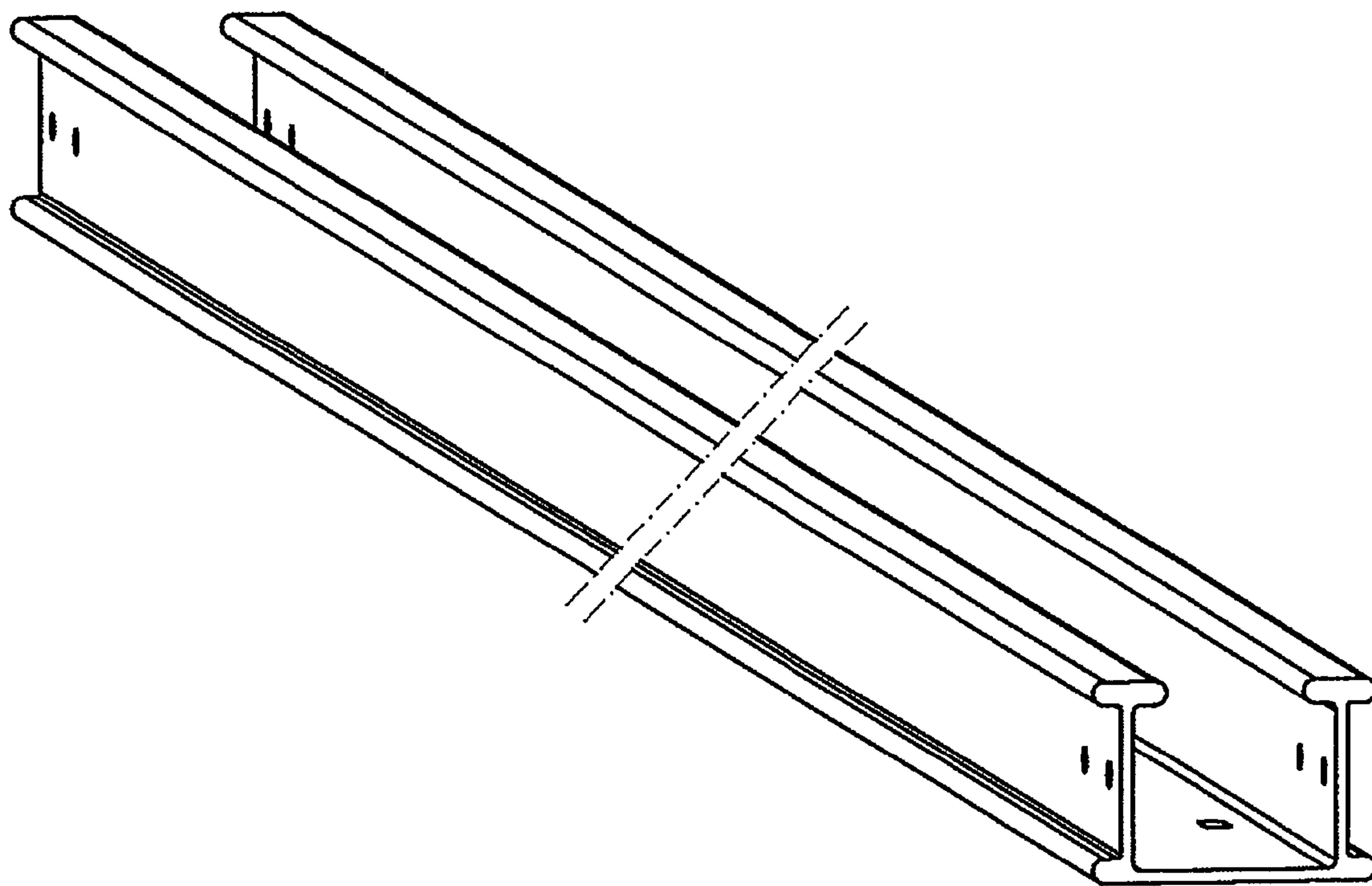


Fig. 8

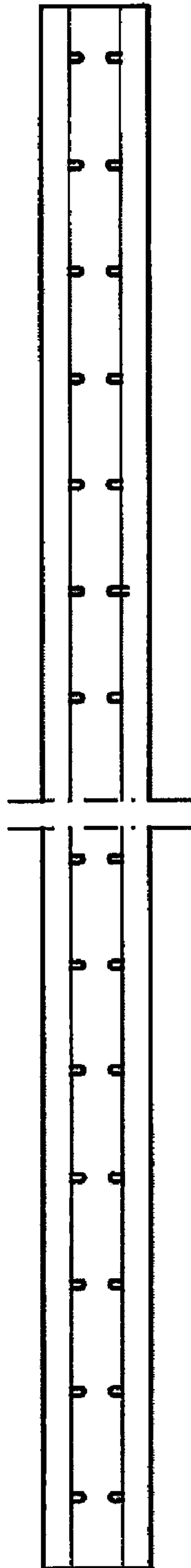


Fig. 9

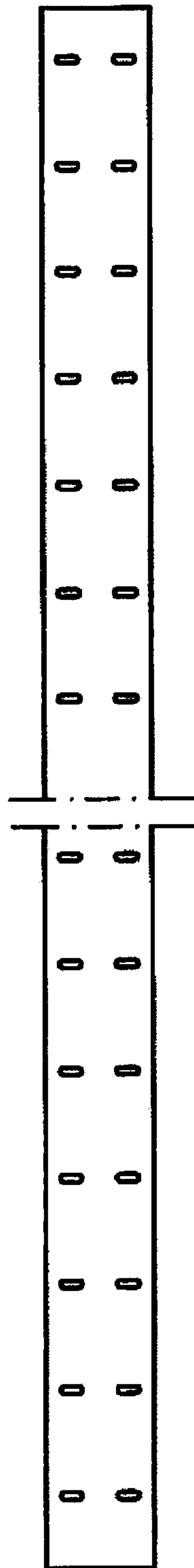


Fig. 10

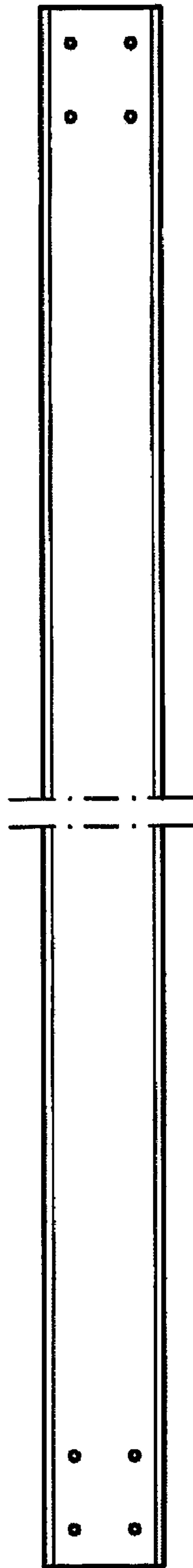


Fig. 11

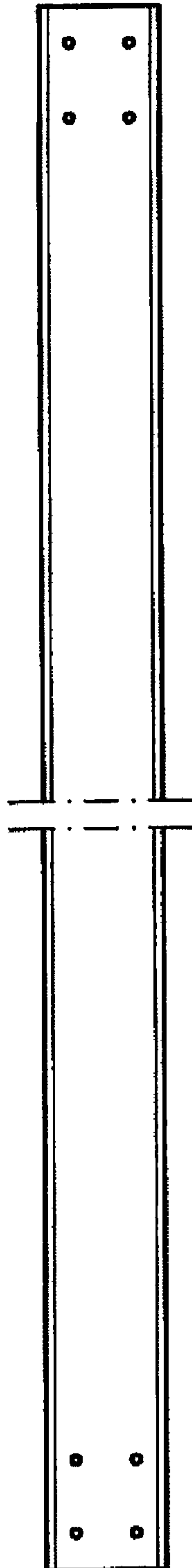


Fig. 12

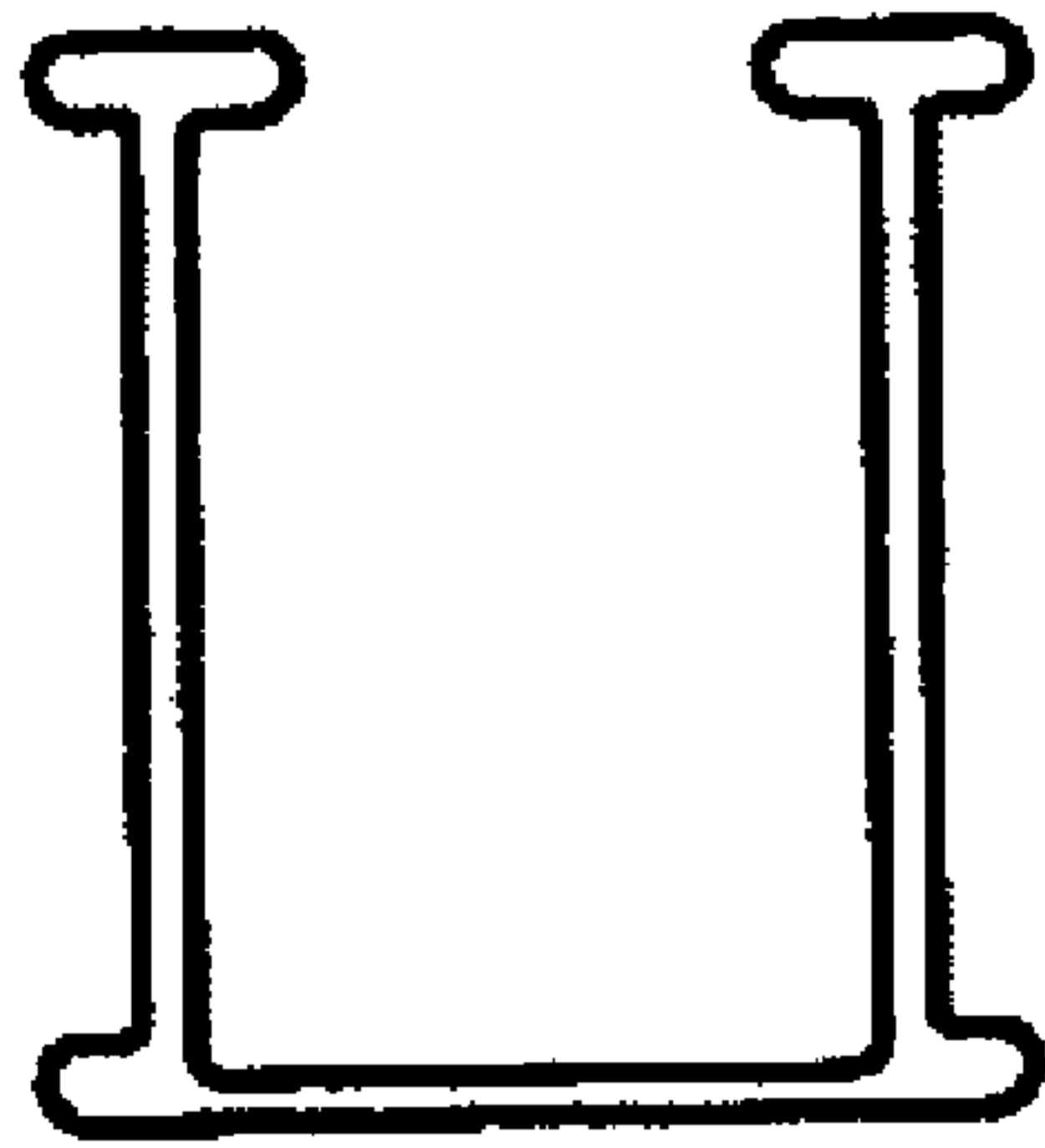


Fig. 13

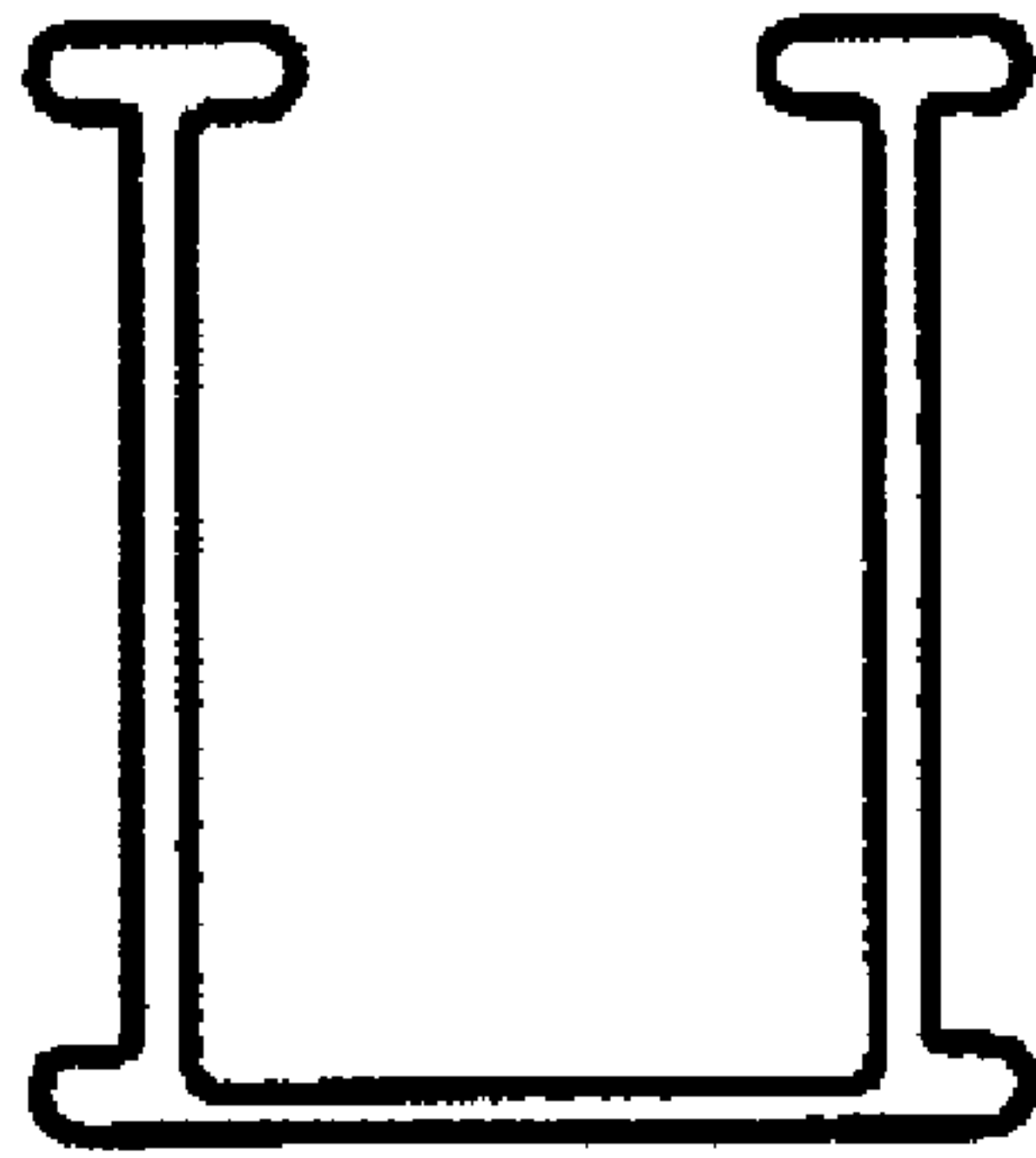


Fig. 14

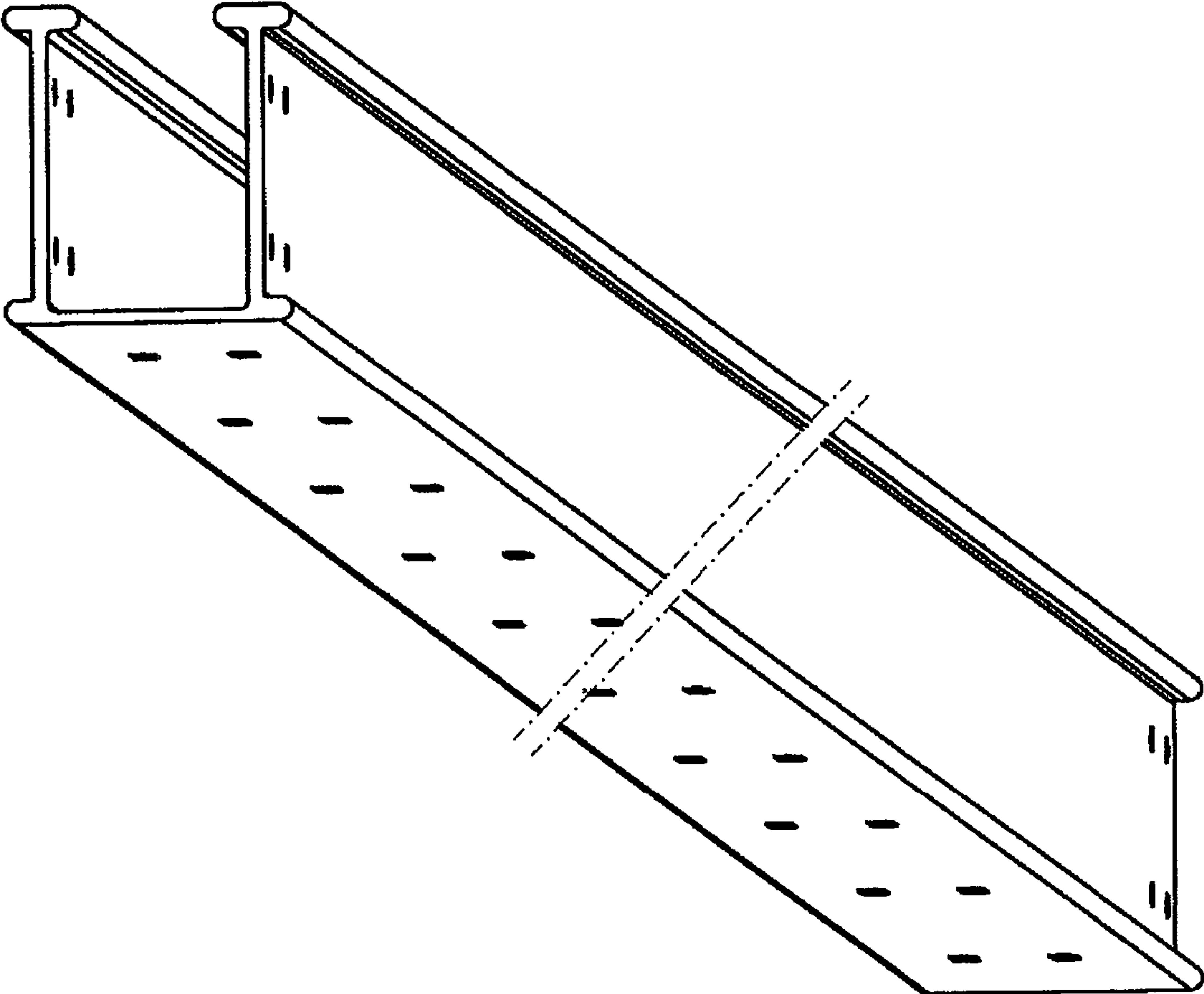


Fig. 15

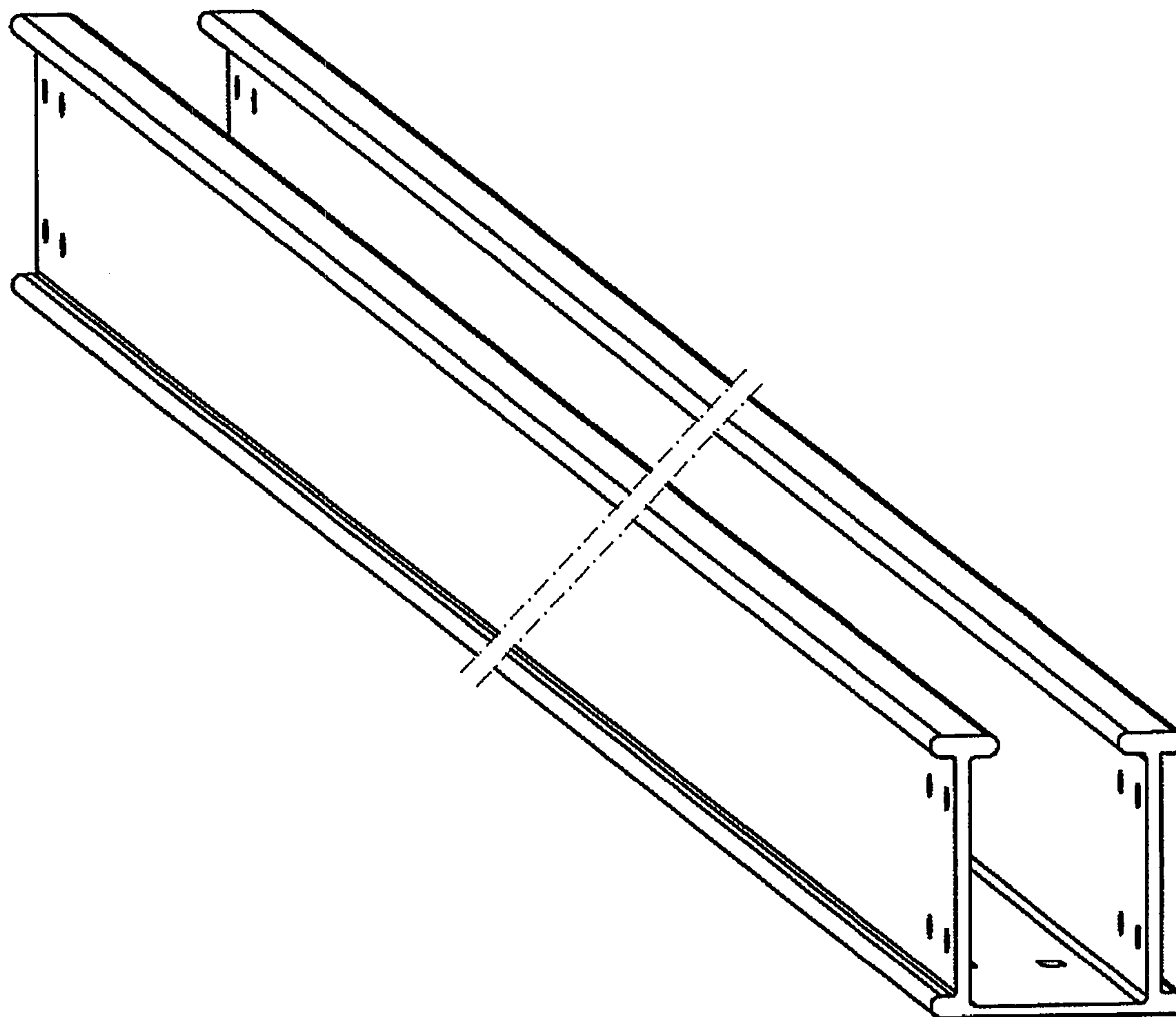


Fig. 16