



US00D582348S

(12) **United States Design Patent**
Shiu

(10) **Patent No.:** **US D582,348 S**
(45) **Date of Patent:** **** Dec. 9, 2008**

(54) **TERMINAL OF A CONNECTOR**

(75) Inventor: **Kuang-Hua Shiu, Jhonggi (TW)**

(73) Assignee: **Singatron Enterprise Co., Ltd. (TW)**

(**) Term: **14 Years**

(21) Appl. No.: **29/268,309**

(22) Filed: **Nov. 3, 2006**

(51) **LOC (8) Cl.** **13-03**

(52) **U.S. Cl.** **D13/154; D13/133**

(58) **Field of Classification Search** D13/133,
D13/146, 147, 154, 184, 199; 439/607-610,
439/849, 850, 870, 877, 884, 885, 887-891
See application file for complete search history.

(56) **References Cited**

U.S. PATENT DOCUMENTS

D409,142	S	*	5/1999	Yoshiura	D13/133
D409,143	S	*	5/1999	Yoshiura	D13/133
6,074,249	A	*	6/2000	Beken et al.	439/567
6,162,103	A	*	12/2000	Ono	439/824
D475,022	S	*	5/2003	Kihira et al.	D13/154
D550,626	S	*	9/2007	Osborn et al.	D13/133
D569,801	S	*	5/2008	Chuang	D13/133

D569,802	S	*	5/2008	Long et al.	D13/133
2007/0059966	A1	*	3/2007	Liao	439/342
2008/0101047	A1	*	5/2008	Wang et al.	361/767

* cited by examiner

Primary Examiner—Daniel D Bui

Assistant Examiner—Thomas J Johannes

(74) *Attorney, Agent, or Firm*—Troxell Law Office, PLLC

(57) **CLAIM**

The ornamental design for a terminal of a connector, as shown and described.

DESCRIPTION

FIG. 1 is a perspective view of a terminal of a connector showing my new design;

FIG. 2 is a front view thereof;

FIG. 3 is a back view thereof;

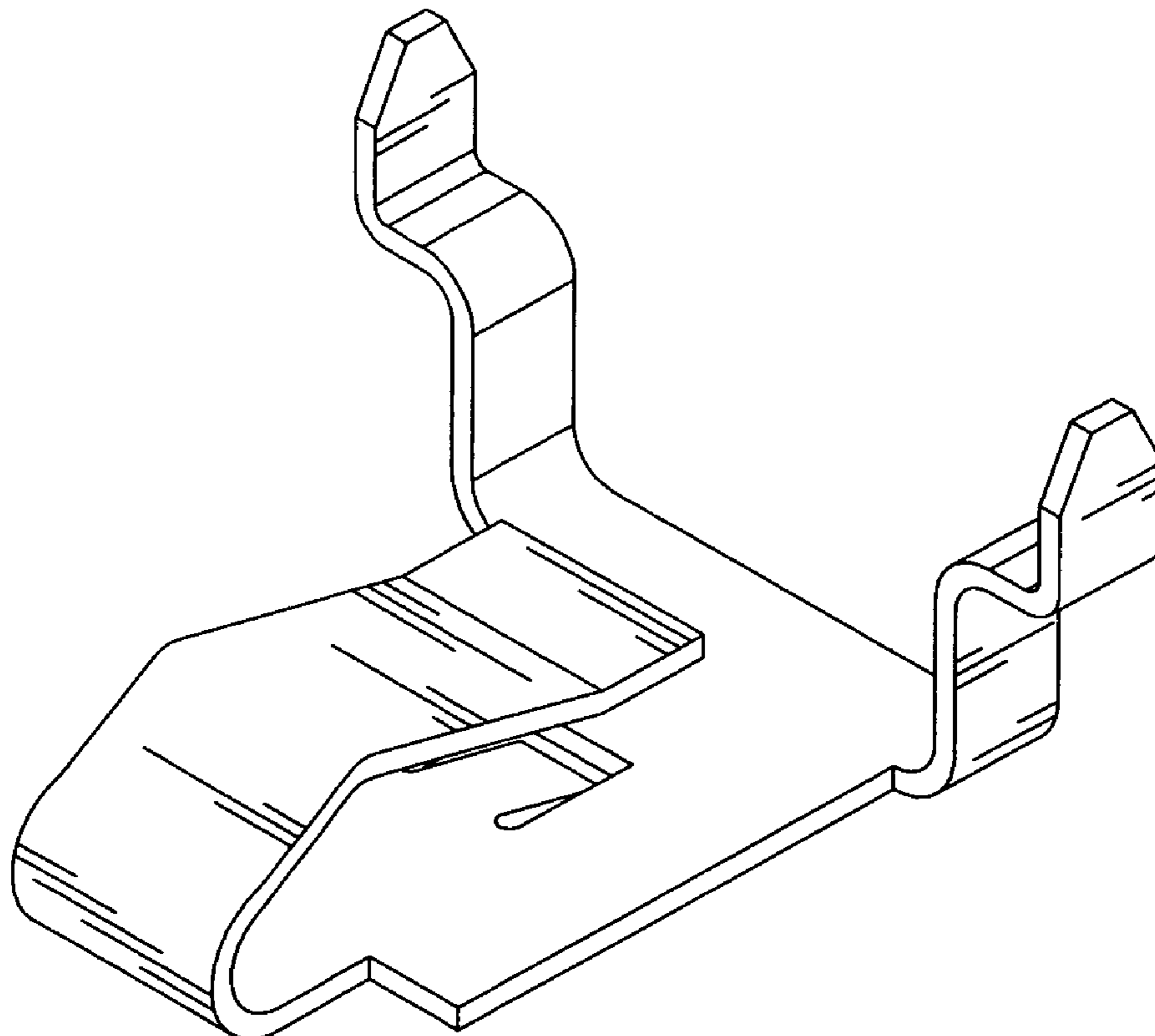
FIG. 4 is a left side view thereof;

FIG. 5 is a right side view thereof;

FIG. 6 is a top view thereof; and,

FIG. 7 is a bottom view thereof.

1 Claim, 7 Drawing Sheets



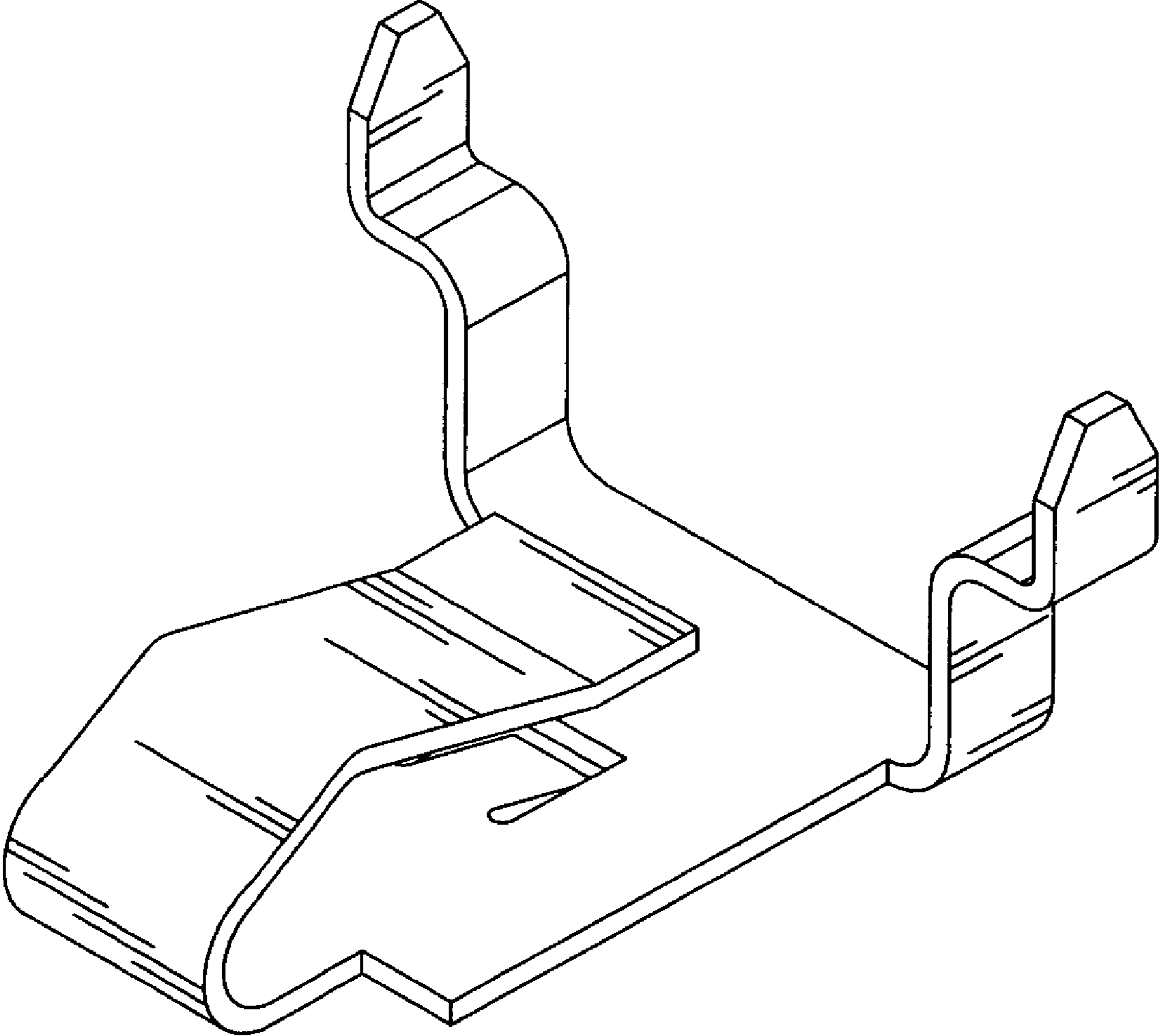


FIG. 1

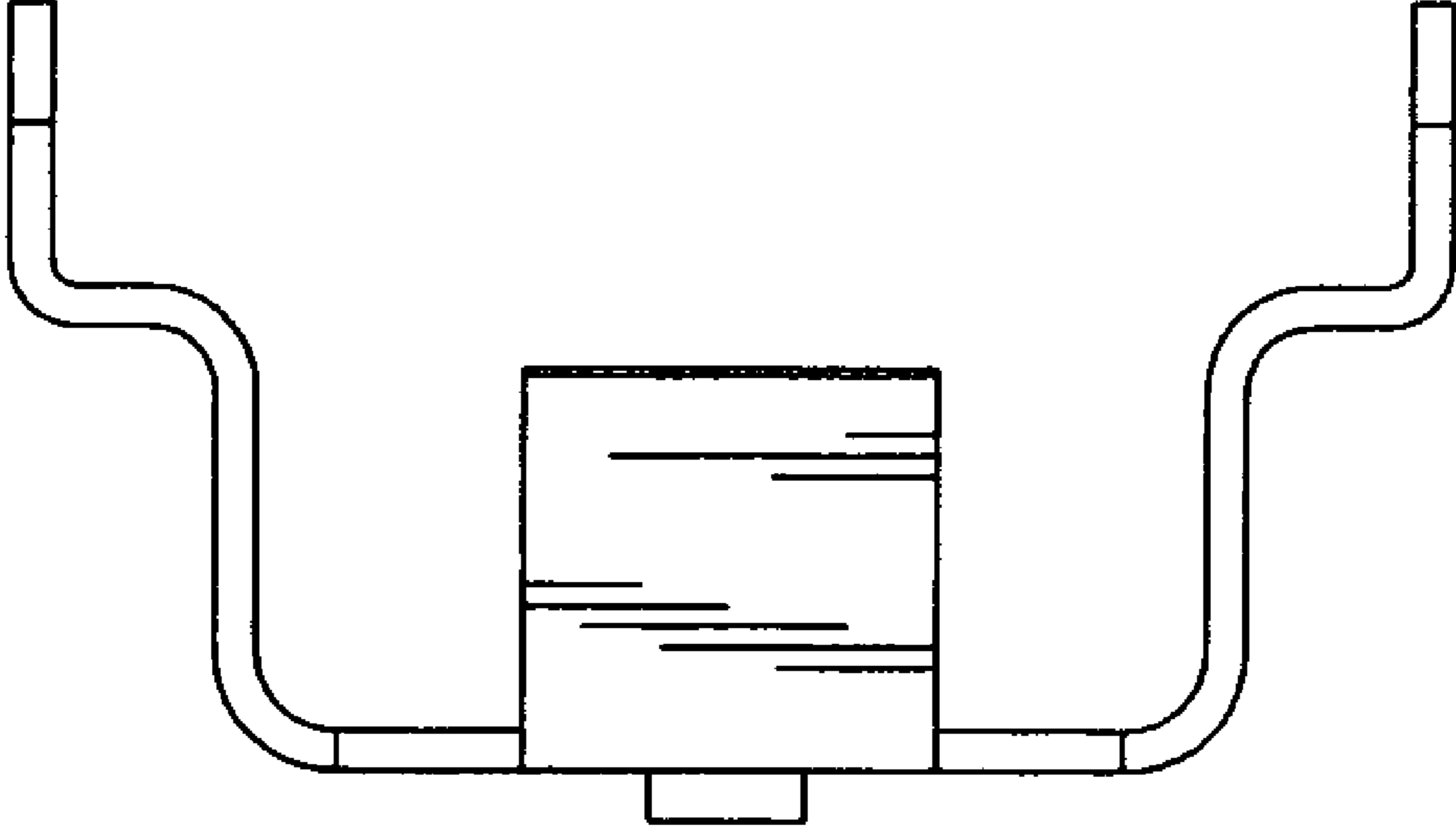


FIG. 2

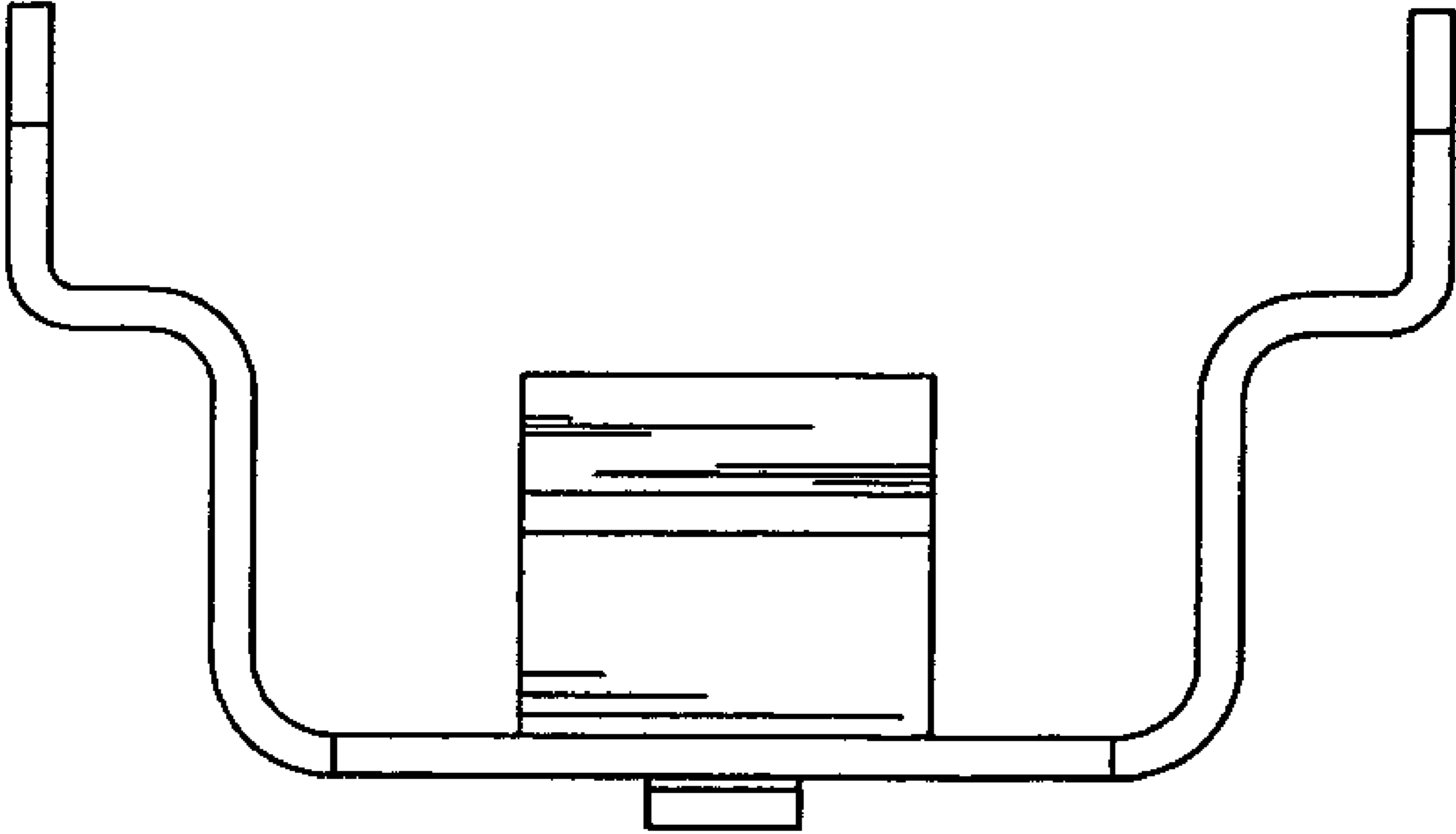


FIG. 3

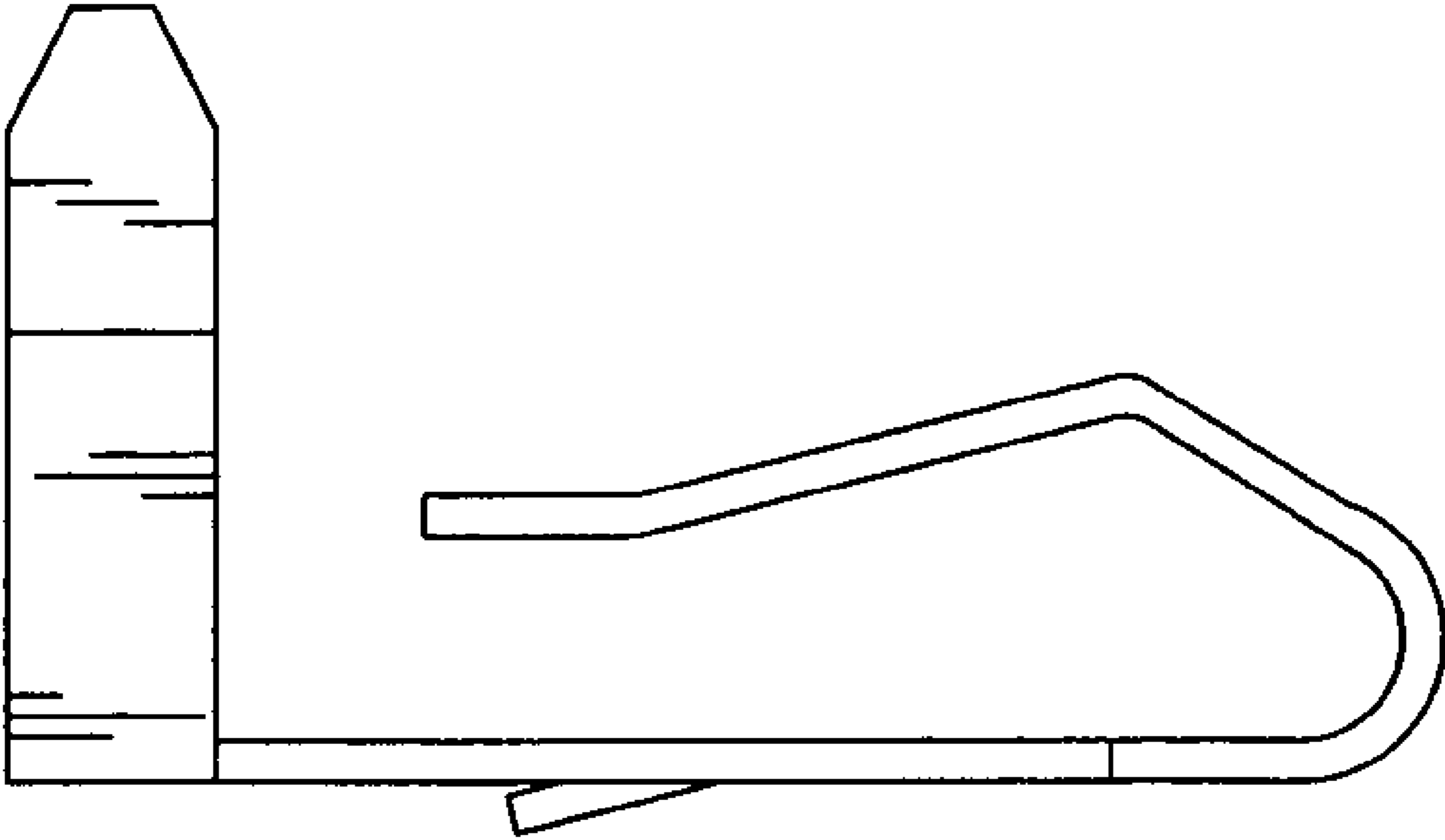


FIG. 4

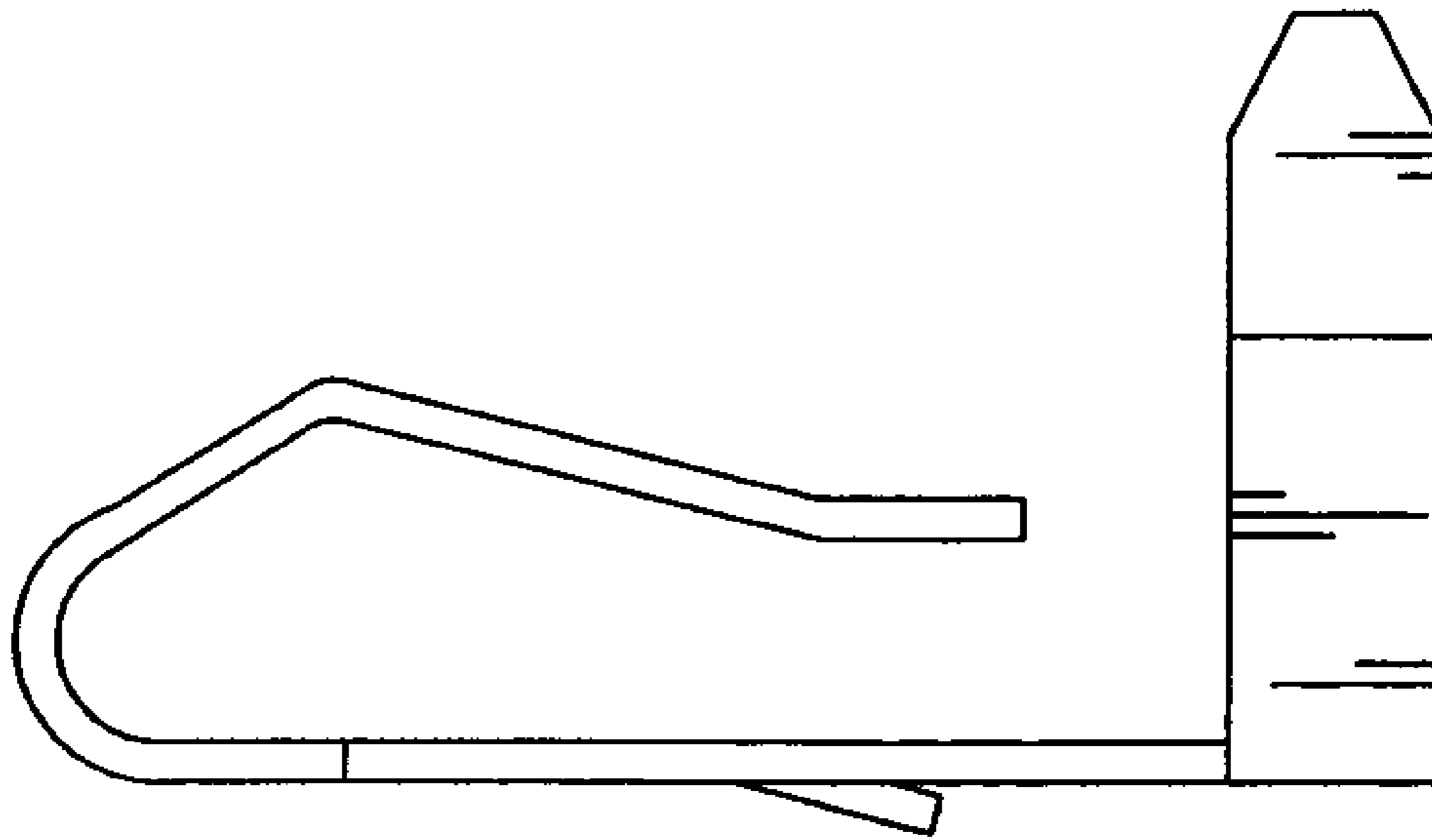


FIG. 5

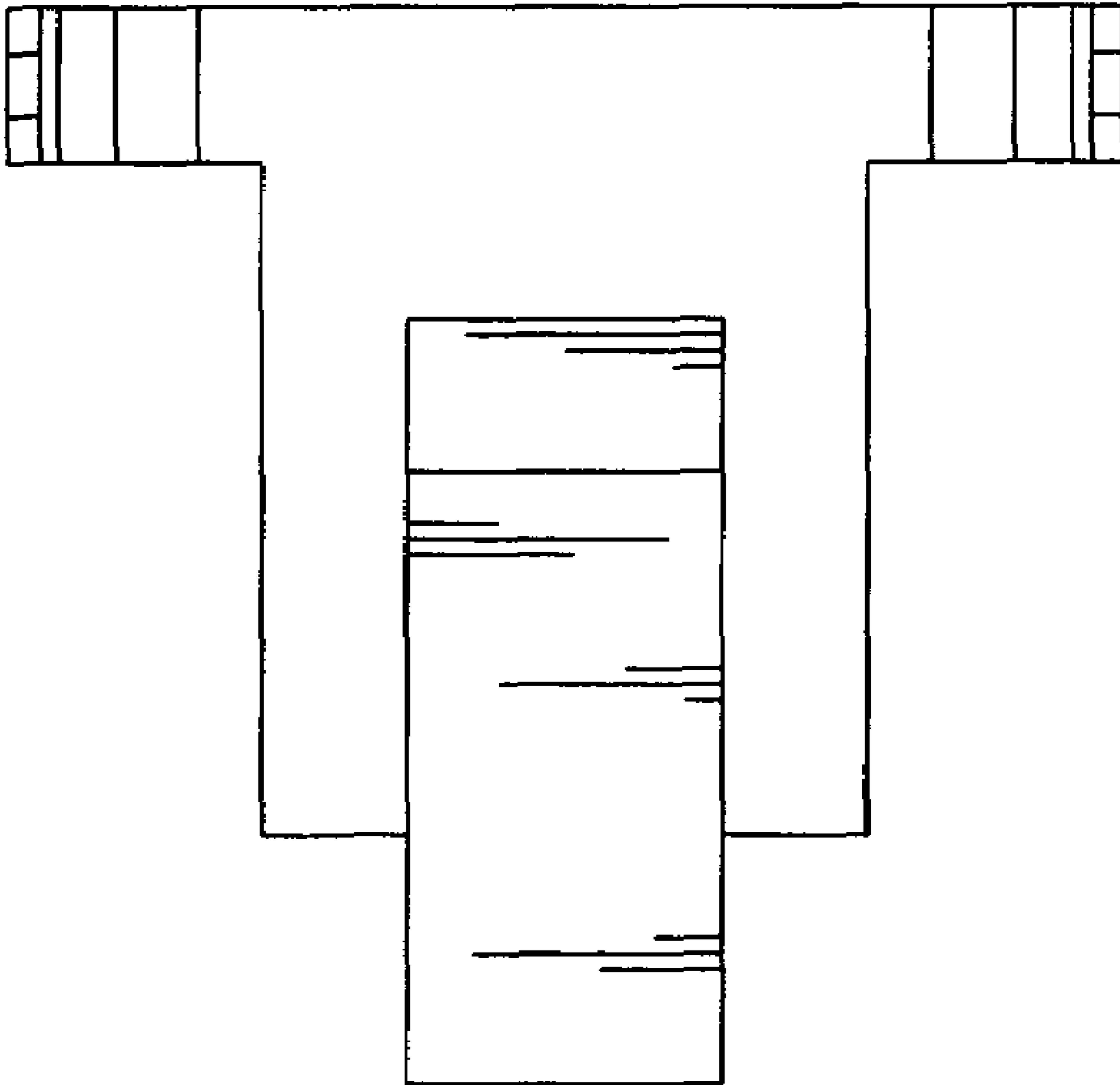


FIG. 6

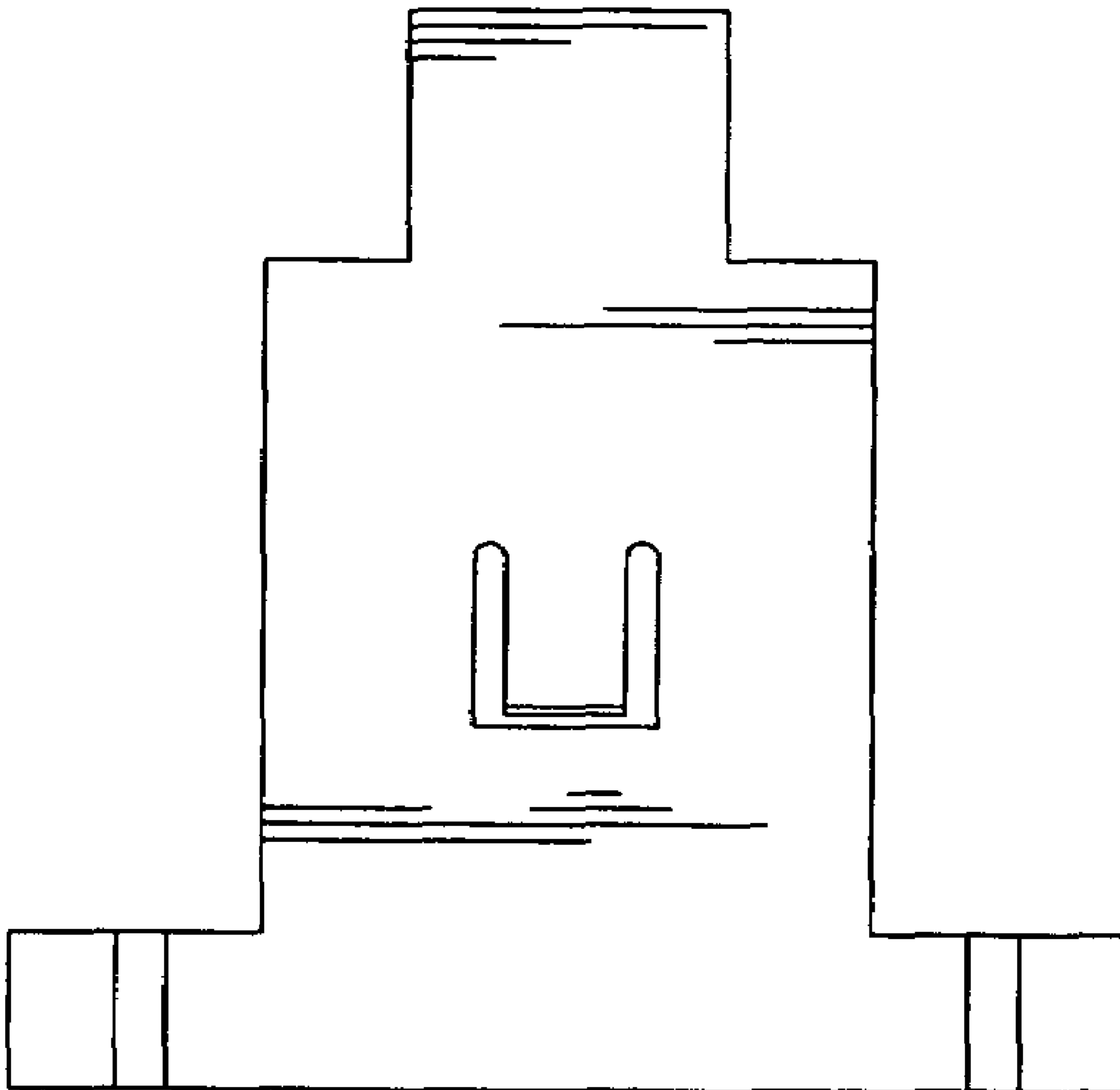


FIG. 7