



US00D582347S

(12) **United States Design Patent**
Fujimoto et al.

(10) **Patent No.:** **US D582,347 S**

(45) **Date of Patent:** **** Dec. 9, 2008**

(54) **CONNECTOR**

D507,780 S * 7/2005 Wang D13/147
D569,345 S * 5/2008 Ikegami D13/147

(75) Inventors: **Masaki Fujimoto**, Tsu (JP); **Tetsurou Kitao**, Tsu (JP); **Tsuyoshi Yamane**, Tsu (JP); **Daisuke Satou**, Tsu (JP)

* cited by examiner

Primary Examiner—Daniel D Bui

(73) Assignee: **Panasonic Electric Works Co., Ltd.**,
Osaka (JP)

(74) *Attorney, Agent, or Firm*—Osha · Liang LLP

(**) Term: **14 Years**

(57) **CLAIM**

(21) Appl. No.: **29/286,936**

The ornamental design for a connector, as shown and described.

(22) Filed: **May 23, 2007**

DESCRIPTION

(30) **Foreign Application Priority Data**

Dec. 25, 2006 (JP) 2006-035511

FIG. 1 is a front, top and right side perspective view of a connector, showing our new design;

(51) **LOC (8) Cl.** **13-03**

FIG. 2 is a front view thereof;

(52) **U.S. Cl.** **D13/147**

FIG. 3 is a back view thereof;

(58) **Field of Classification Search** D13/133,
D13/146–147, 154, 184; 439/79, 108, 378,
439/607–610, 660, 668, 680

FIG. 4 is a left side view thereof;

See application file for complete search history.

FIG. 5 is a right side view thereof;

(56) **References Cited**

U.S. PATENT DOCUMENTS

D427,975 S * 7/2000 Zhu et al. D13/147
D465,202 S * 11/2002 Kubota D13/147
D507,538 S * 7/2005 Wang D13/147

FIG. 6 is a top view thereof;

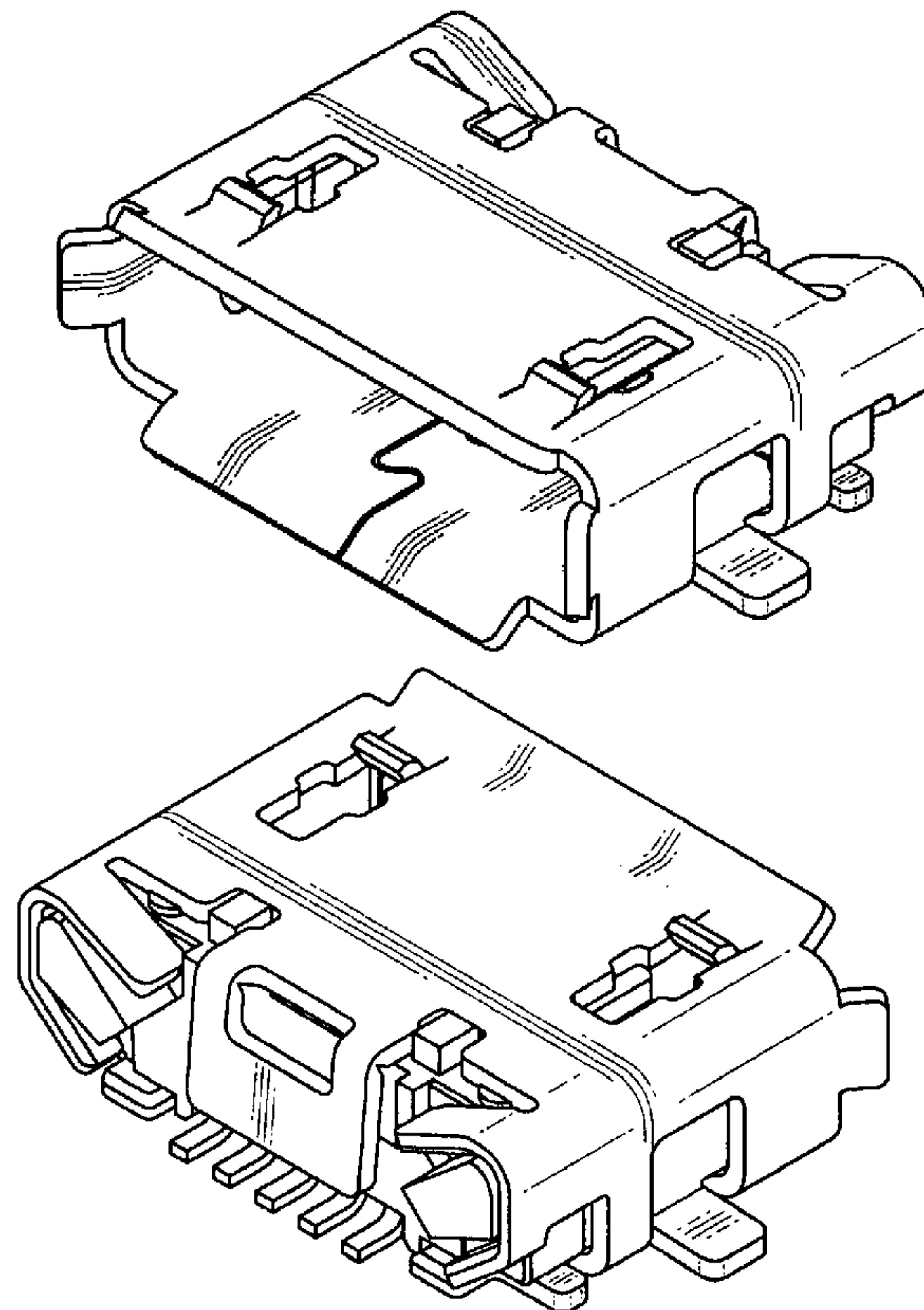
FIG. 7 is a bottom view thereof;

FIG. 8 is a cross-sectional view thereof, taken along line “8—8” in FIG. 2;

FIG. 9 is a back, top, left perspective view thereof; and,

FIG. 10 is a back, bottom, left perspective view thereof.

1 Claim, 5 Drawing Sheets



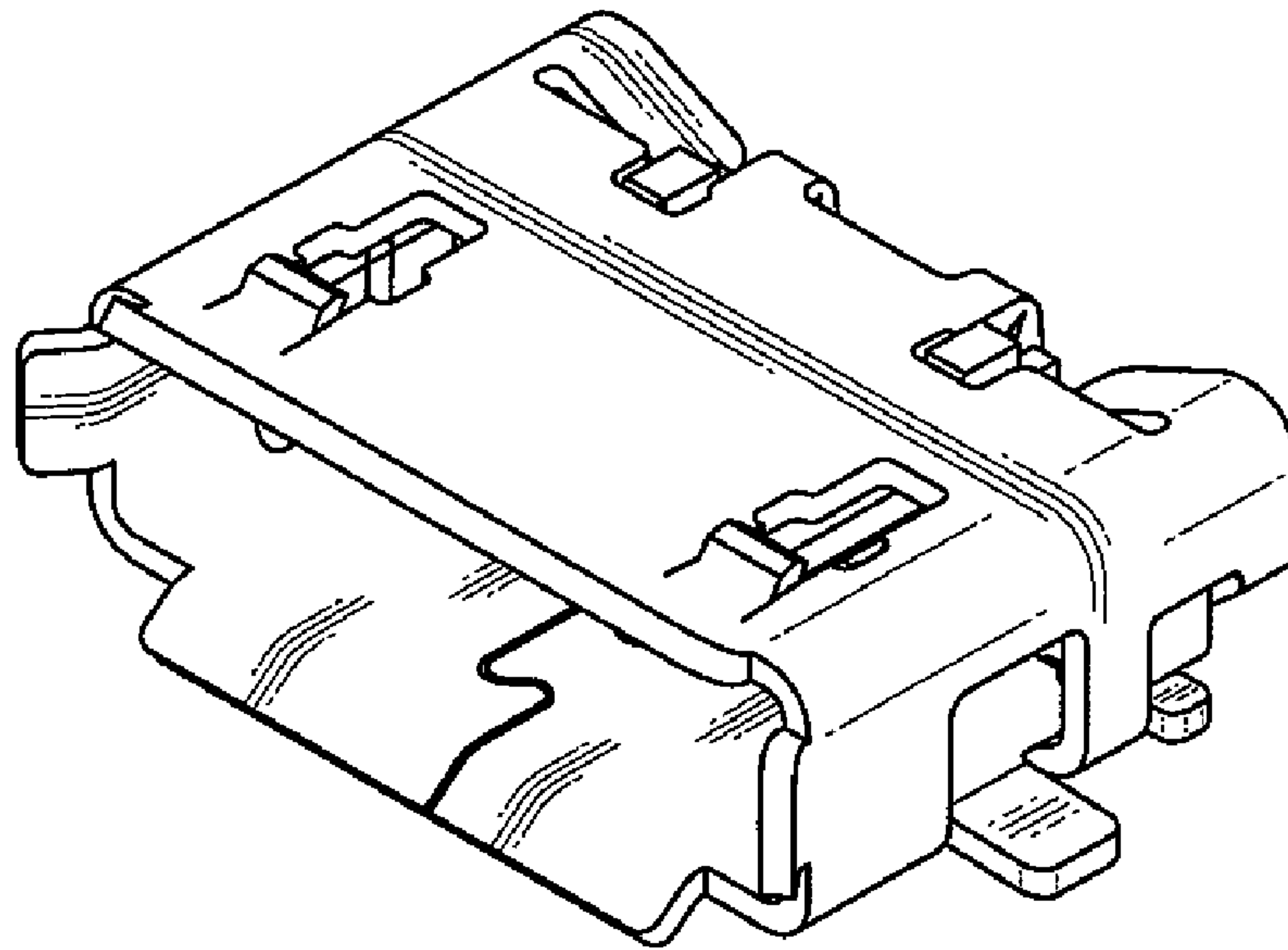


FIG. 1

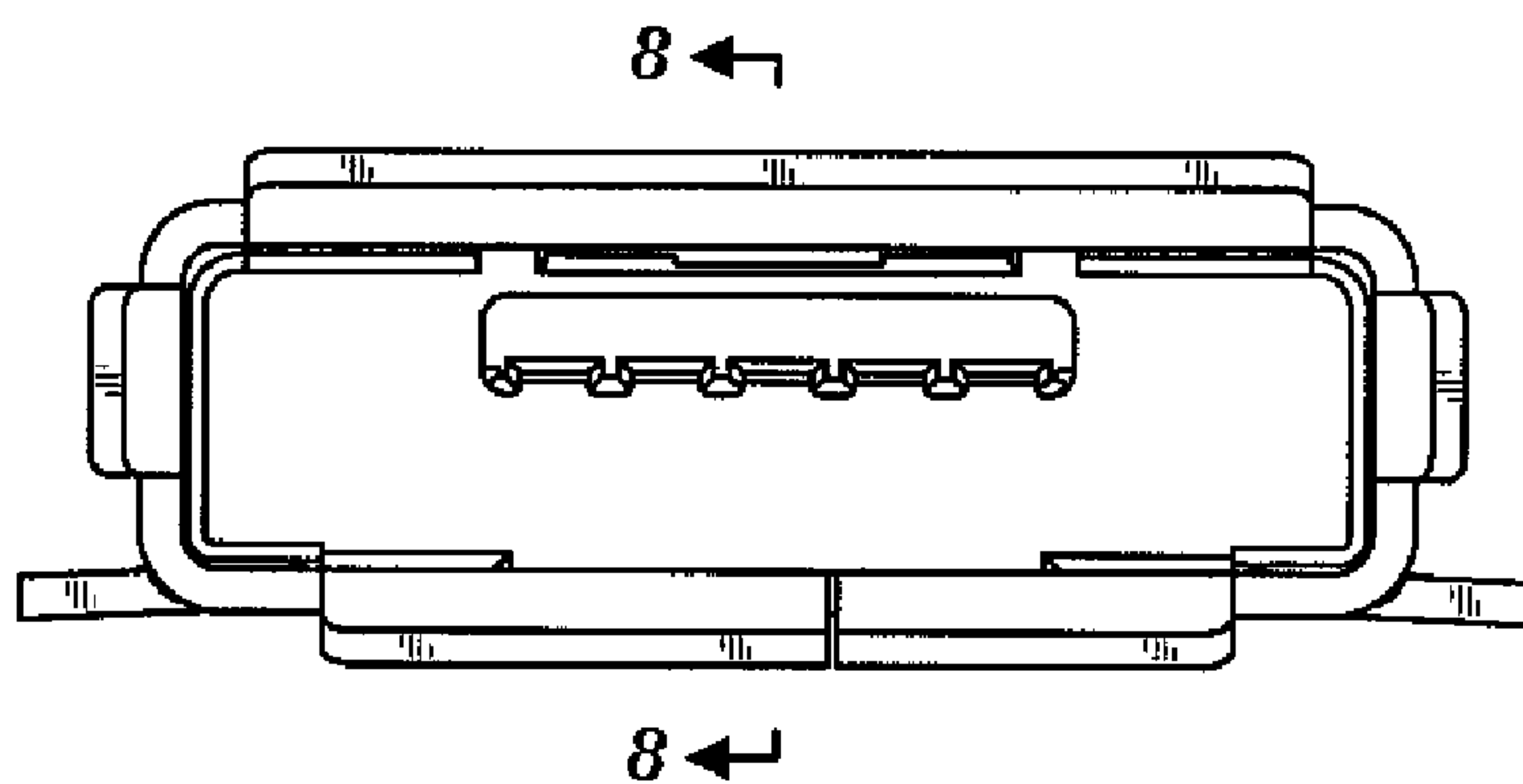


FIG. 2

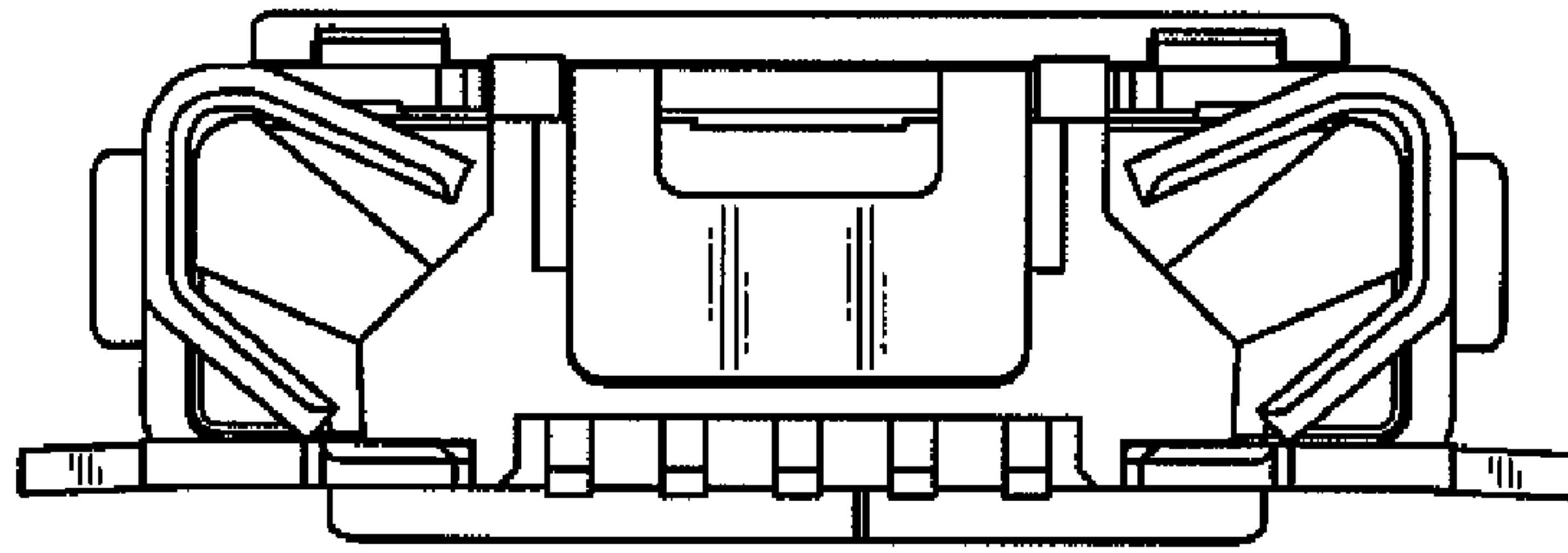


FIG. 3

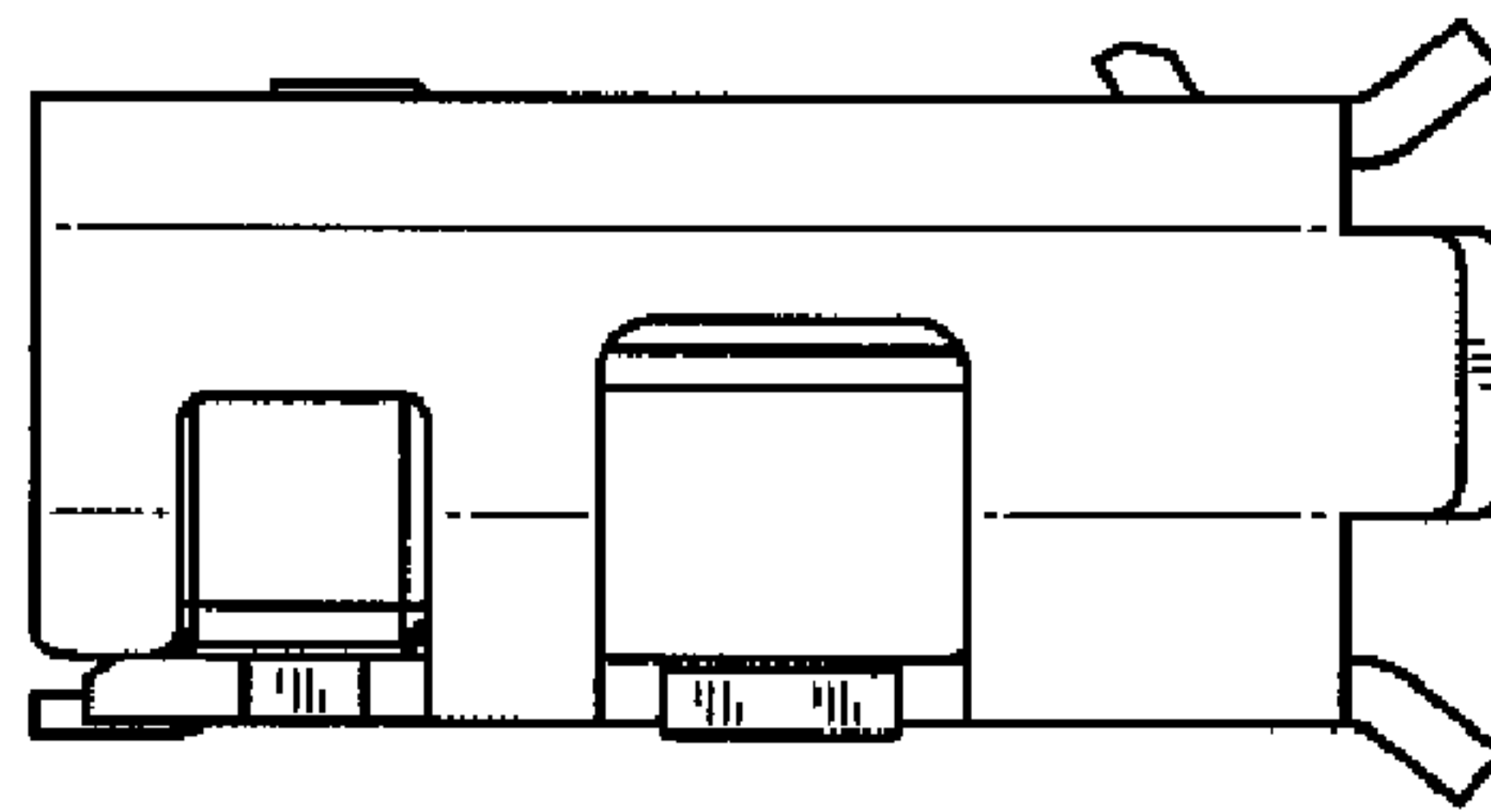


FIG. 4

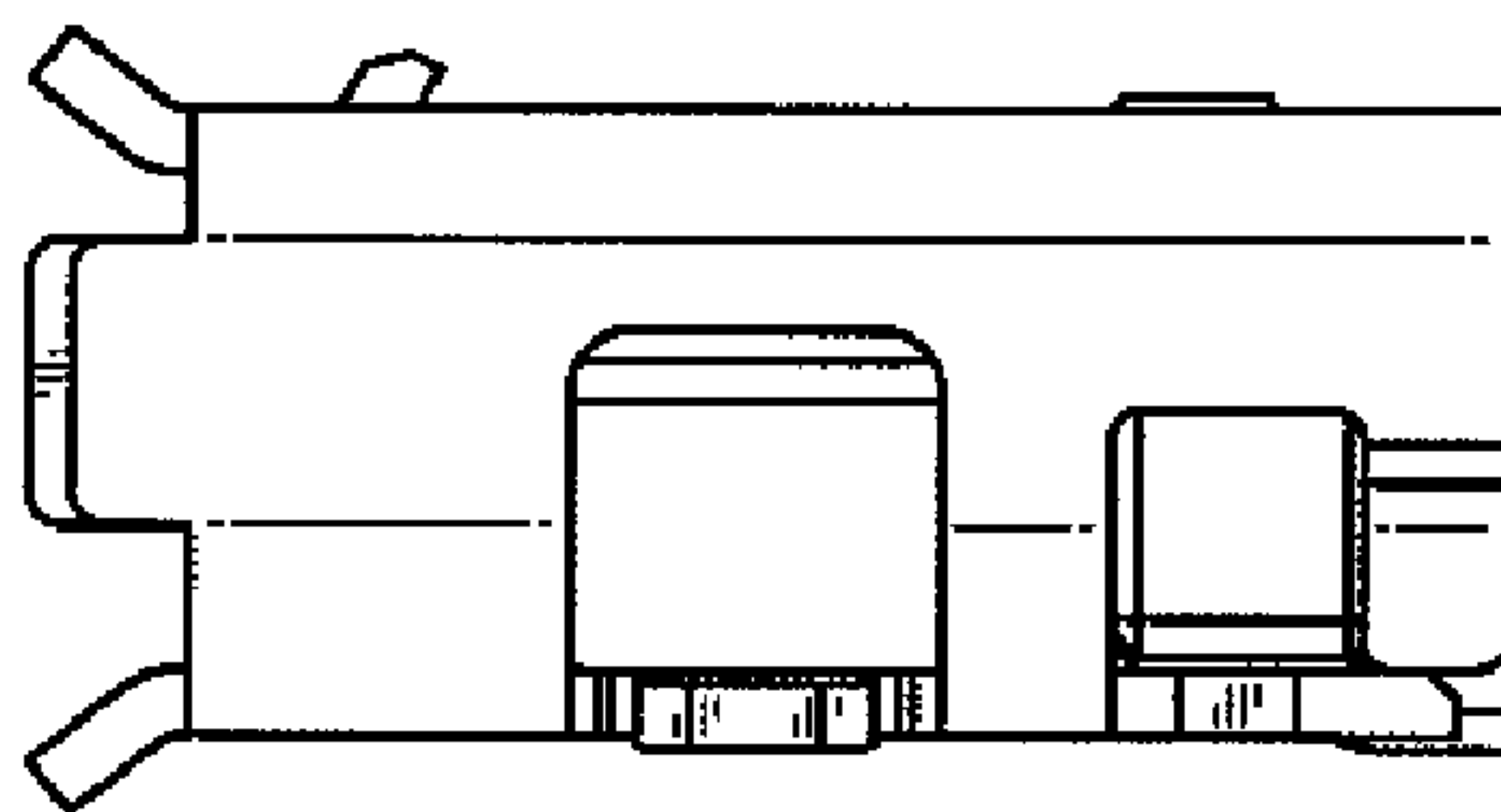


FIG. 5

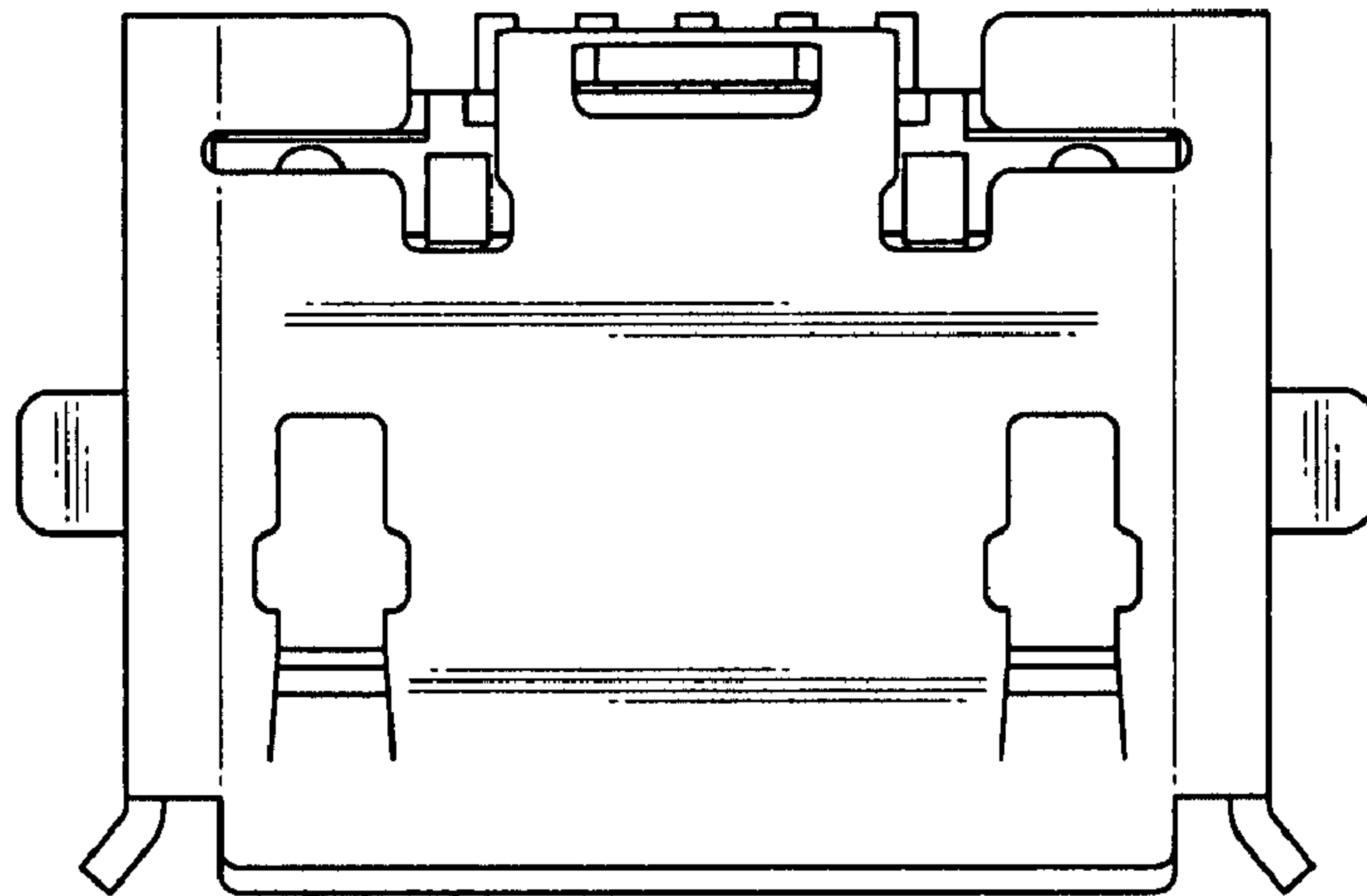


FIG. 6

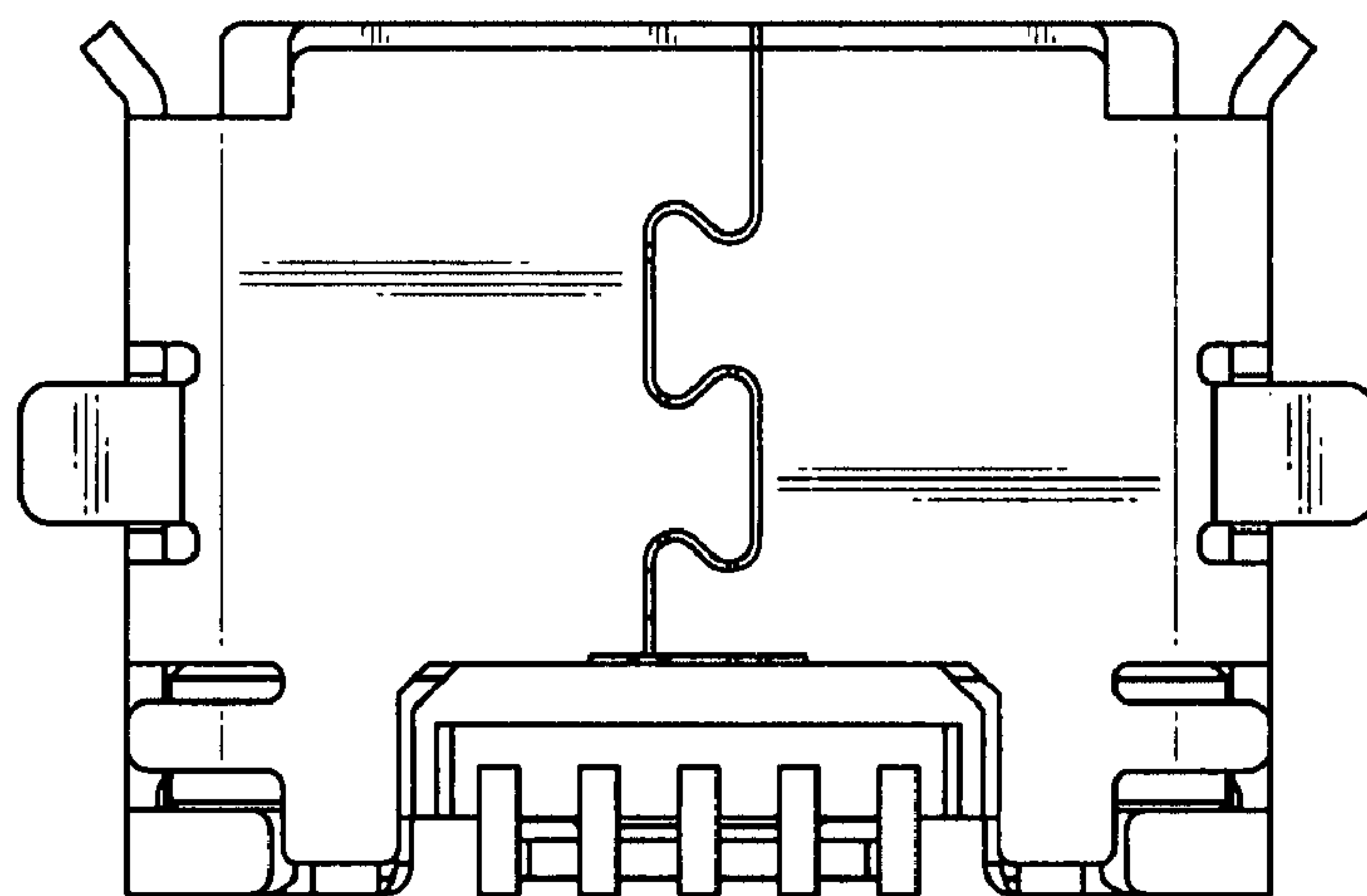


FIG. 7

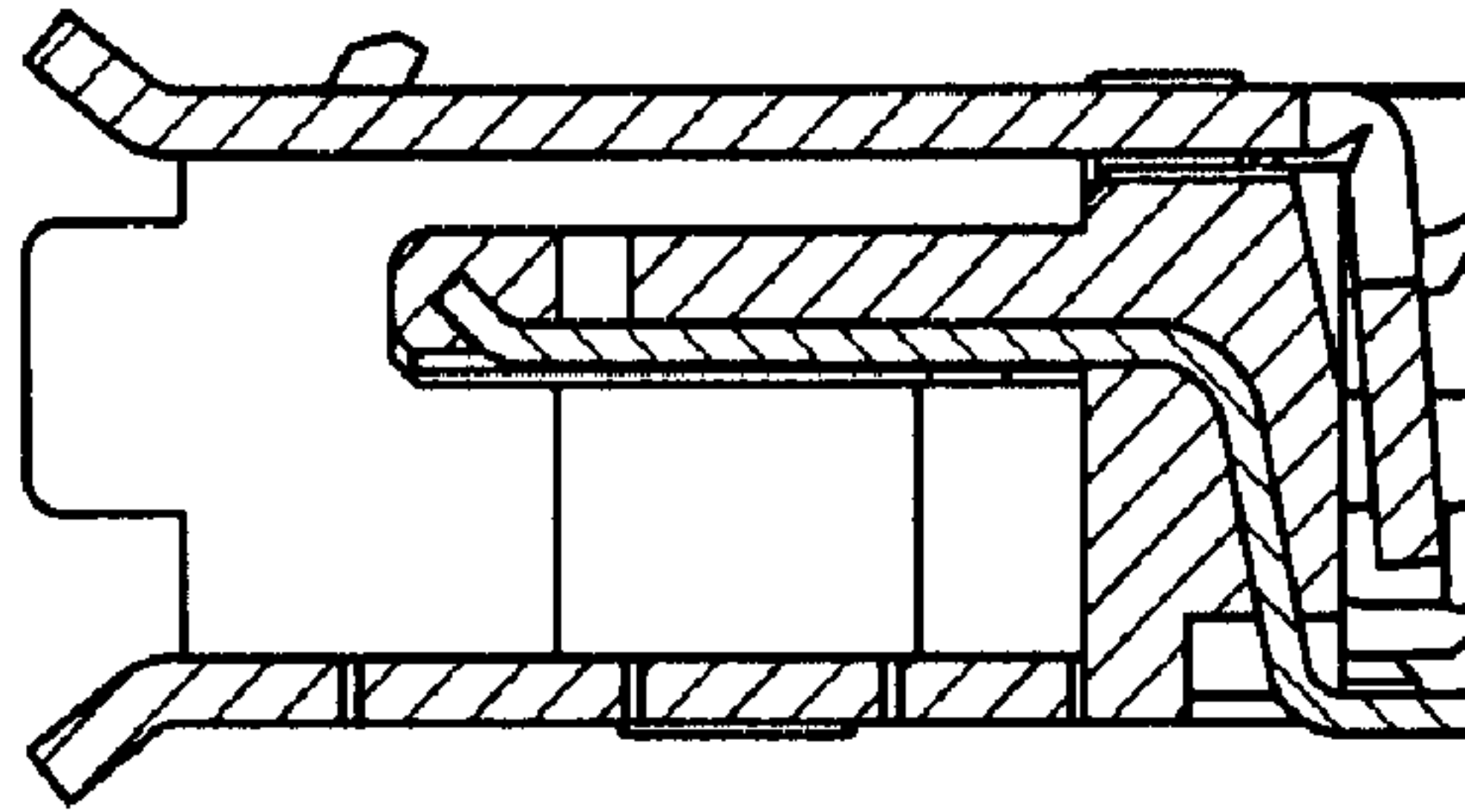


FIG. 8

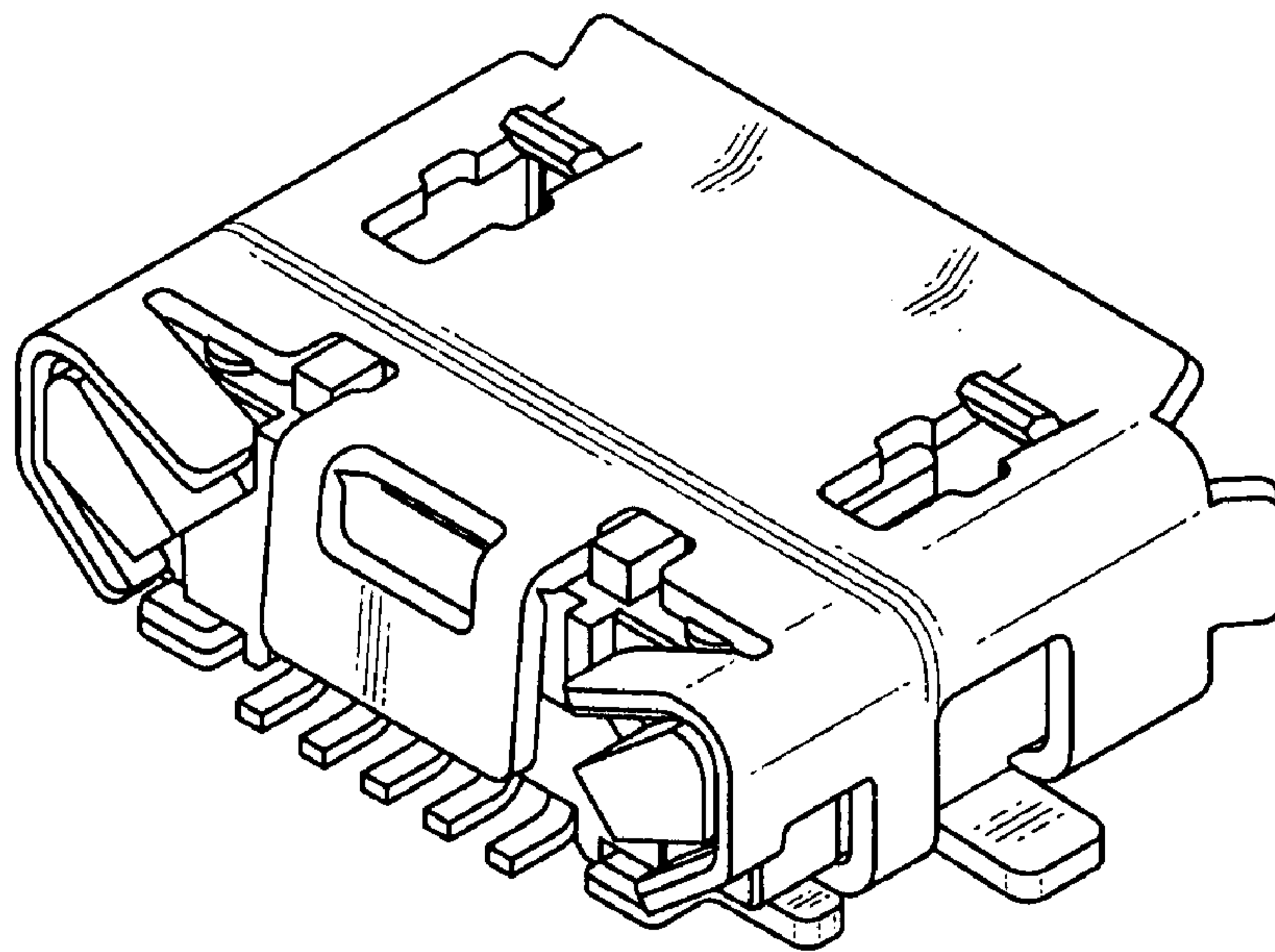


FIG. 9

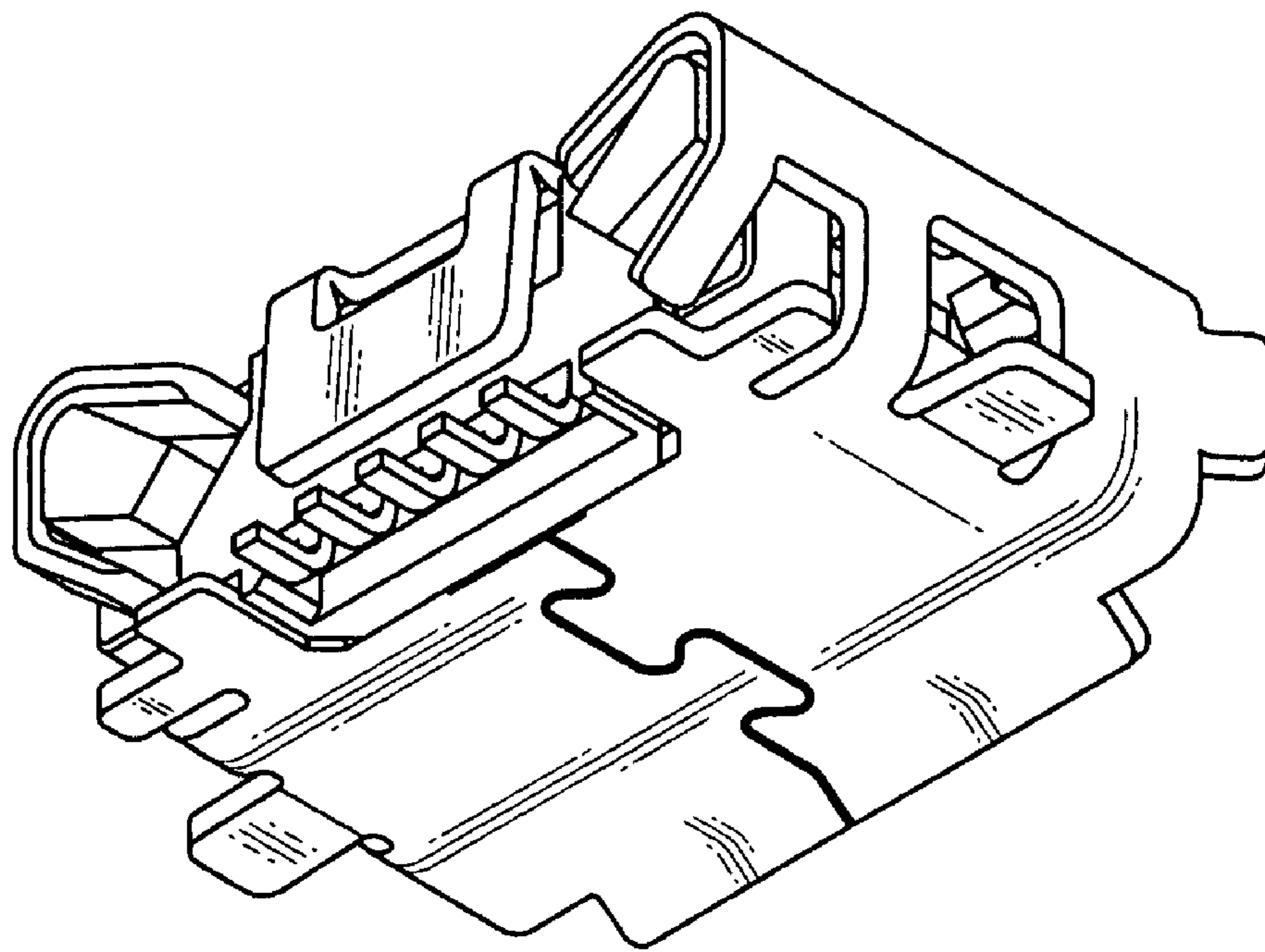


FIG. 10