



US00D582346S

(12) **United States Design Patent**
Zhou

(10) **Patent No.:** **US D582,346 S**
(45) **Date of Patent:** **** Dec. 9, 2008**

(54) **SIX-HOLE POWER SPLITTER**

(75) Inventor: **Jian-Lin Zhou**, Dong-guan (CN)

(73) Assignee: **Mig Electronic Industrial Co., Ltd.**,
Dong-guan, Guang-dong Province (CN)

(**) Term: **14 Years**

(21) Appl. No.: **29/290,943**

(22) Filed: **Feb. 1, 2008**

(51) **LOC (8) Cl.** **13-03**

(52) **U.S. Cl.** **D13/137.2**

(58) **Field of Classification Search** D13/137.1,
D13/137.3, 139.1, 139.3, 139.6-139.8, 184;
D14/433; 174/53-58, 66; 439/105-107,
439/535, 650-655, 692

See application file for complete search history.

(56) **References Cited**

U.S. PATENT DOCUMENTS

- D312,615 S * 12/1990 Schwartz D13/137.2
- D350,936 S * 9/1994 Rossman et al. D13/137.2
- D357,460 S * 4/1995 Lovett D13/139.1
- D361,315 S * 8/1995 Wedell et al. D13/160
- D364,379 S * 11/1995 Pogue et al. D13/160
- D367,037 S * 2/1996 Fladung et al. D13/137.2

- D442,916 S * 5/2001 Tong et al. D13/137.2
- D443,589 S * 6/2001 Tong et al. D13/137.2
- D444,450 S * 7/2001 Lee D13/137.2
- D467,873 S * 12/2002 Yu D13/137.2
- D486,126 S * 2/2004 Aromin D13/137.2
- D514,067 S * 1/2006 Lee D13/137.2
- D547,272 S * 7/2007 Ng D13/137.2

* cited by examiner

Primary Examiner—Jennifer Rivard

Assistant Examiner—Rosemary K Tarcza

(74) *Attorney, Agent, or Firm*—Troxell Law Office, PLLC

(57) **CLAIM**

The ornamental design for a six-hole power splitter, as shown and described.

DESCRIPTION

FIG. 1 is a perspective view of a six-hole power splitter;

FIG. 2 is a front view thereof;

FIG. 3 is a back view thereof;

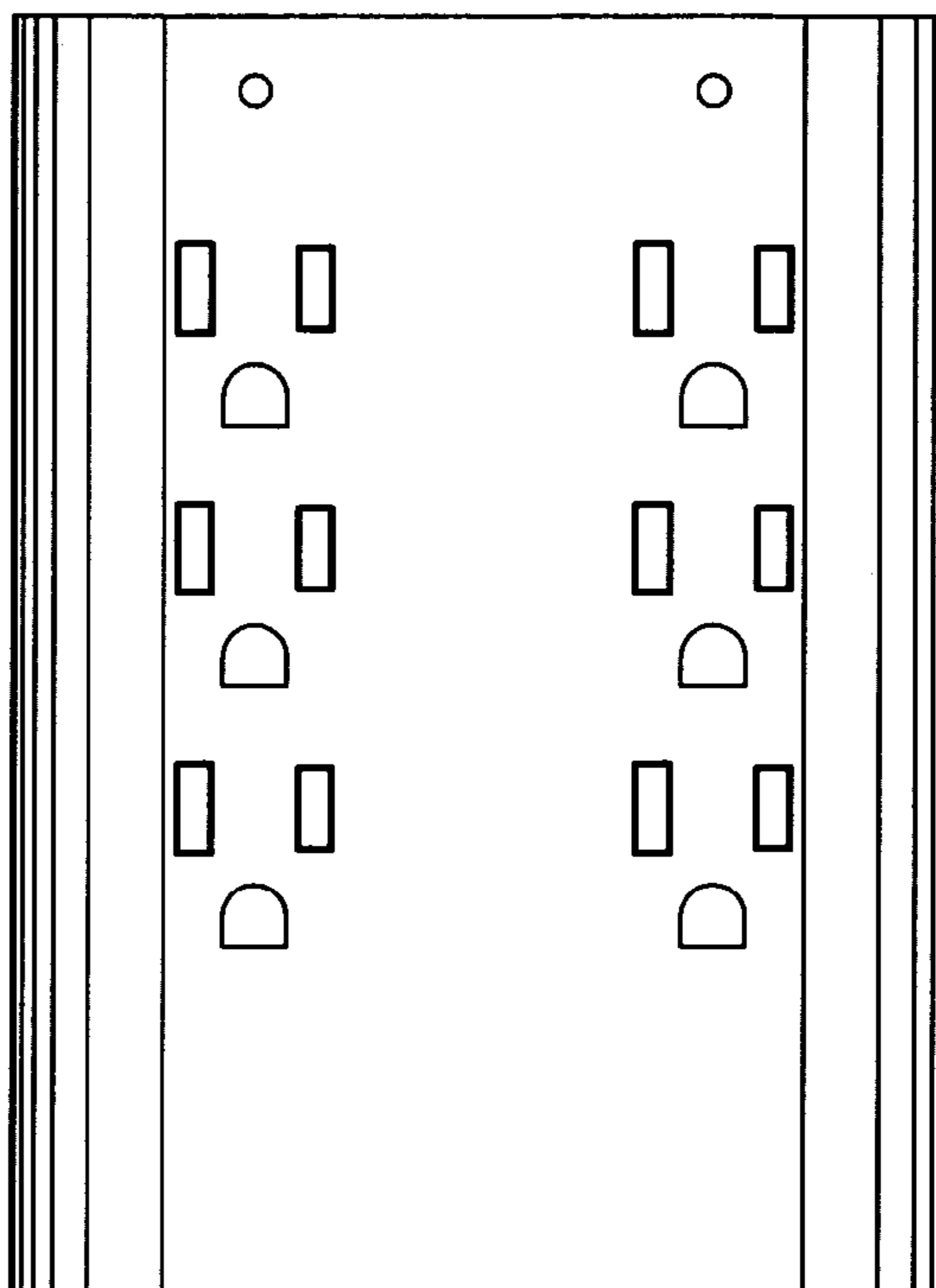
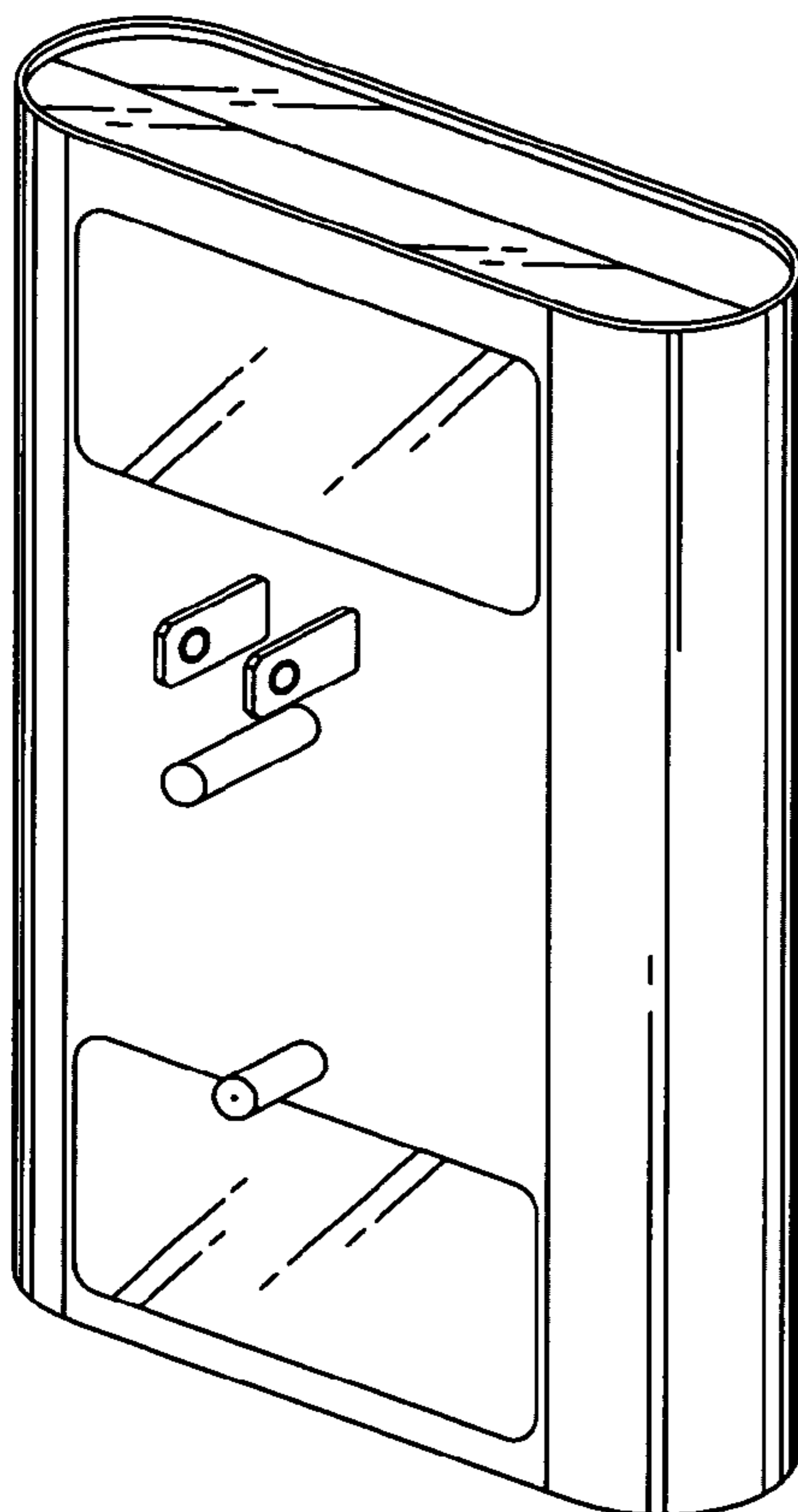
FIG. 4 is a left side view thereof;

FIG. 5 is a right side view thereof;

FIG. 6 is a top view thereof; and,

FIG. 7 is a bottom view thereof.

1 Claim, 4 Drawing Sheets



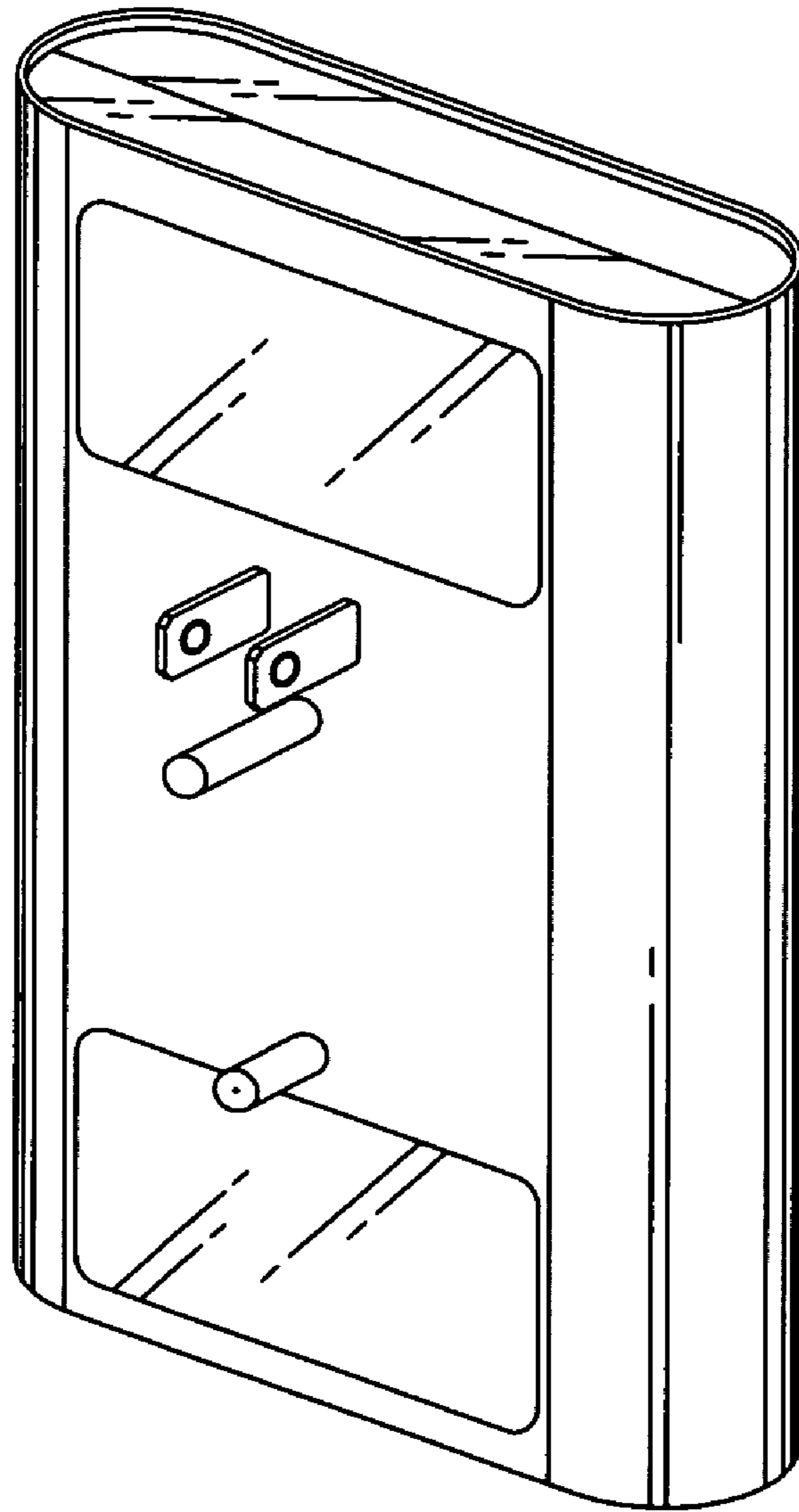


FIG. 1

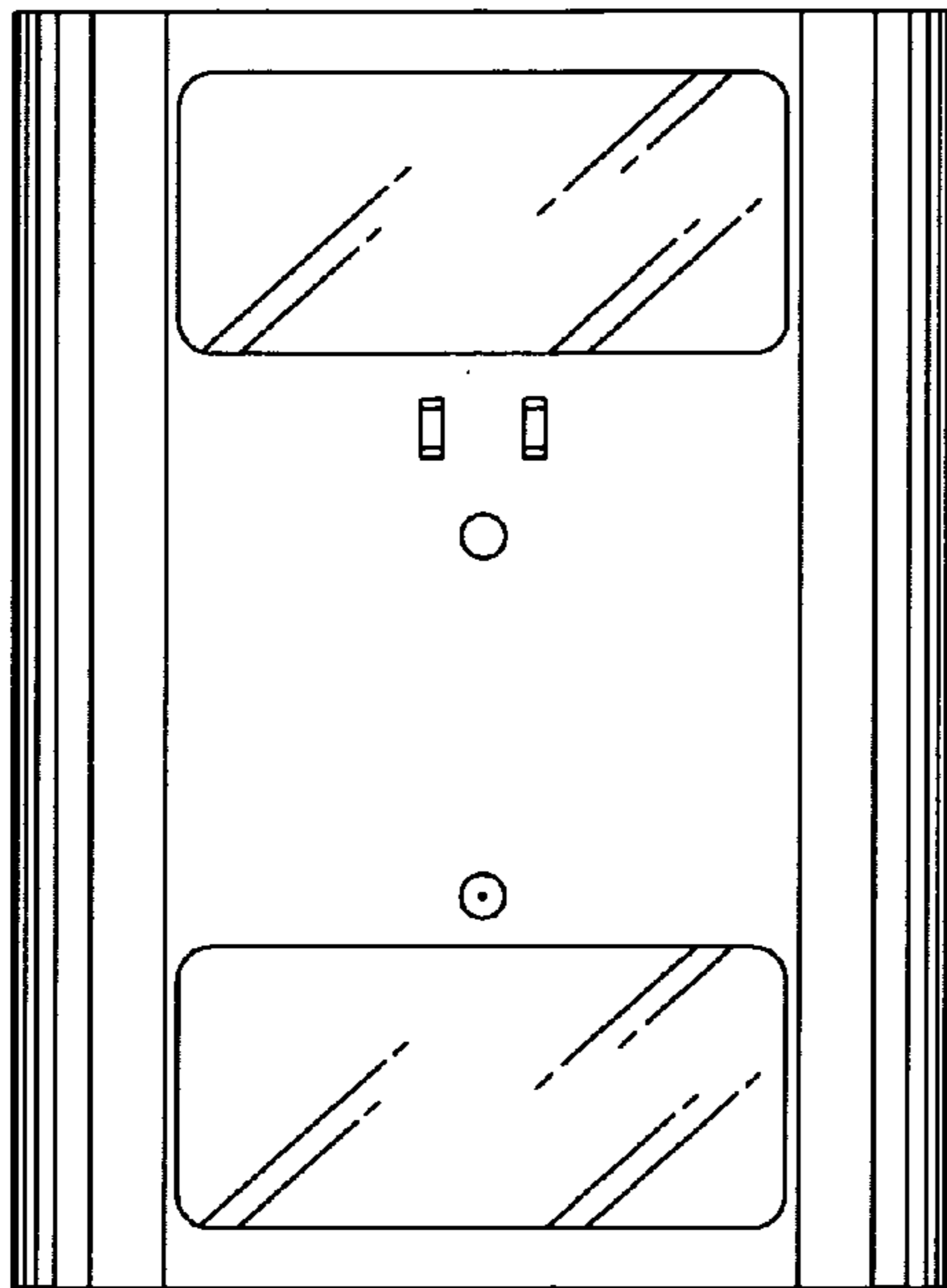


FIG. 2

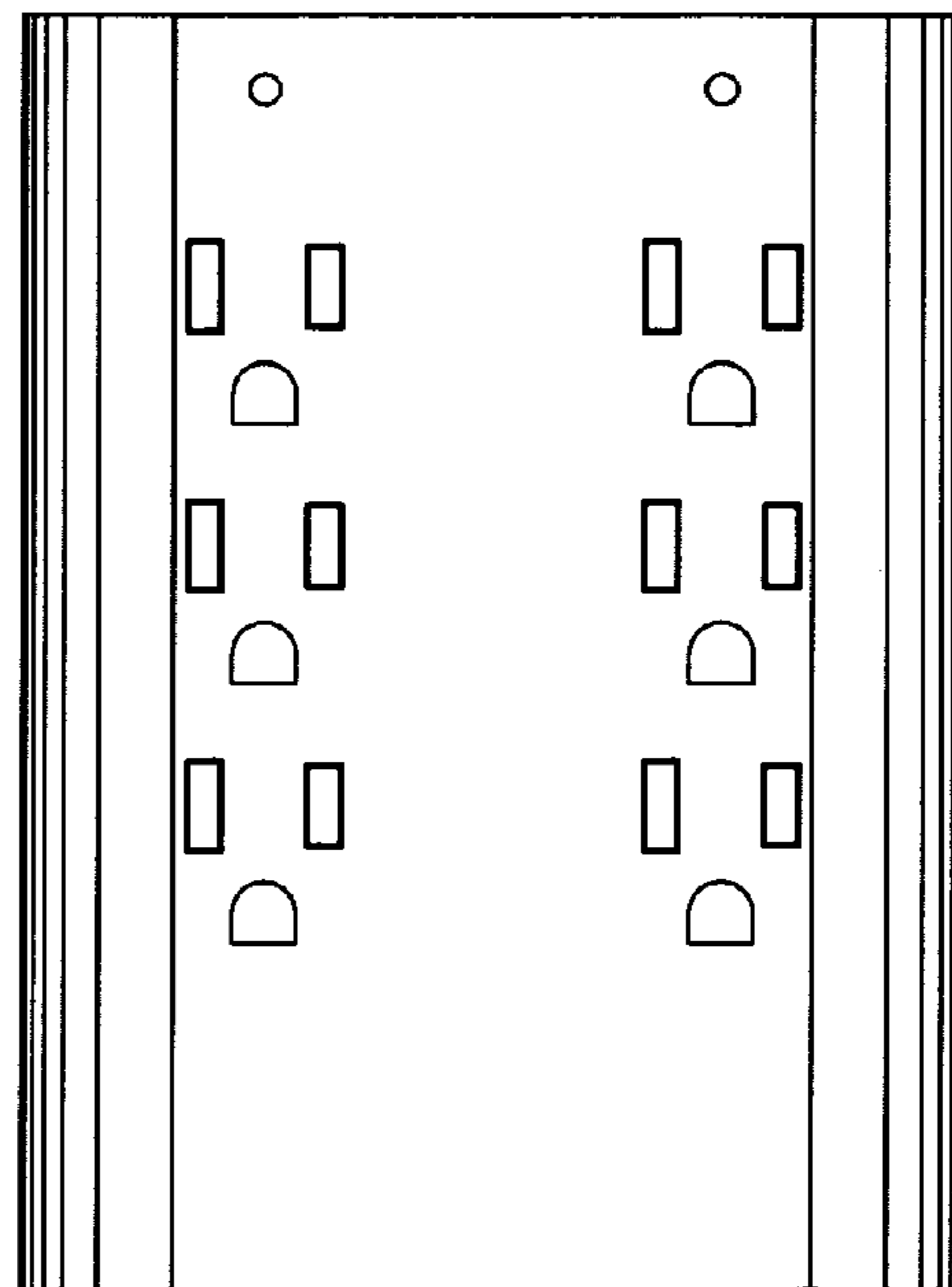


FIG. 3

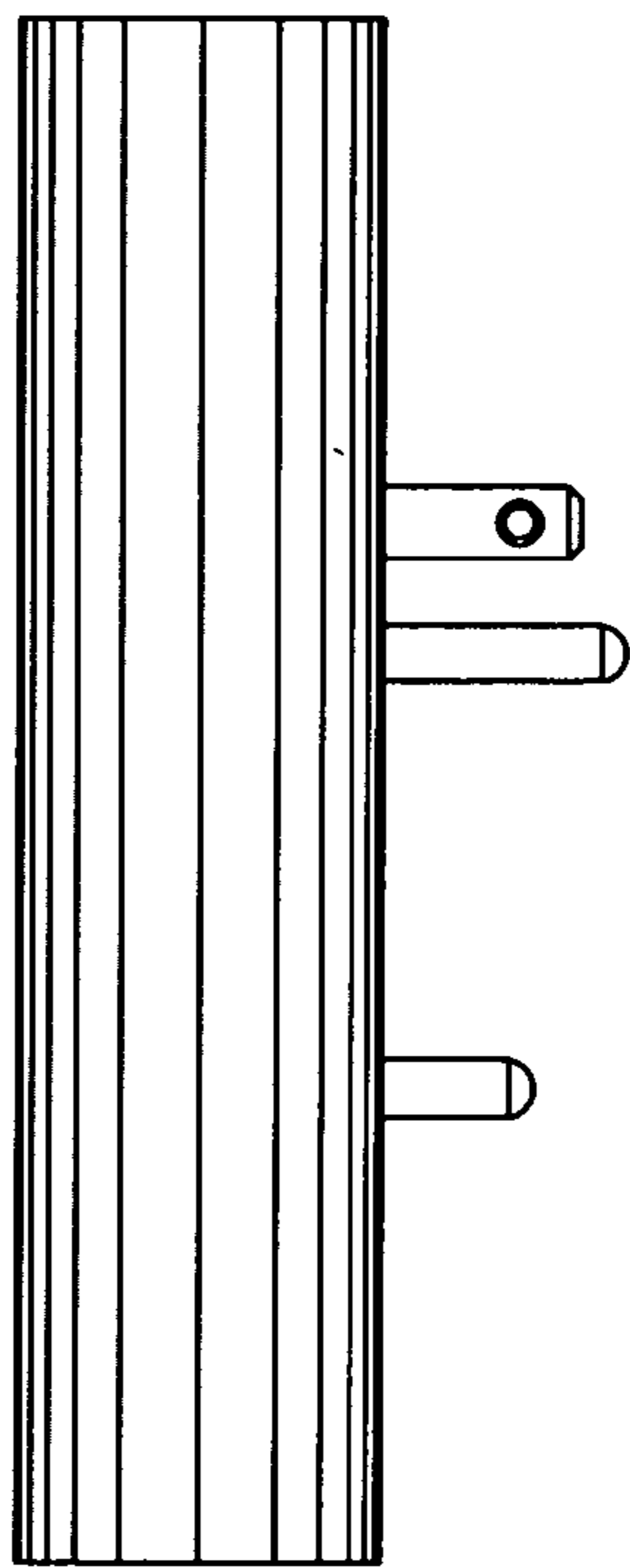


FIG. 4

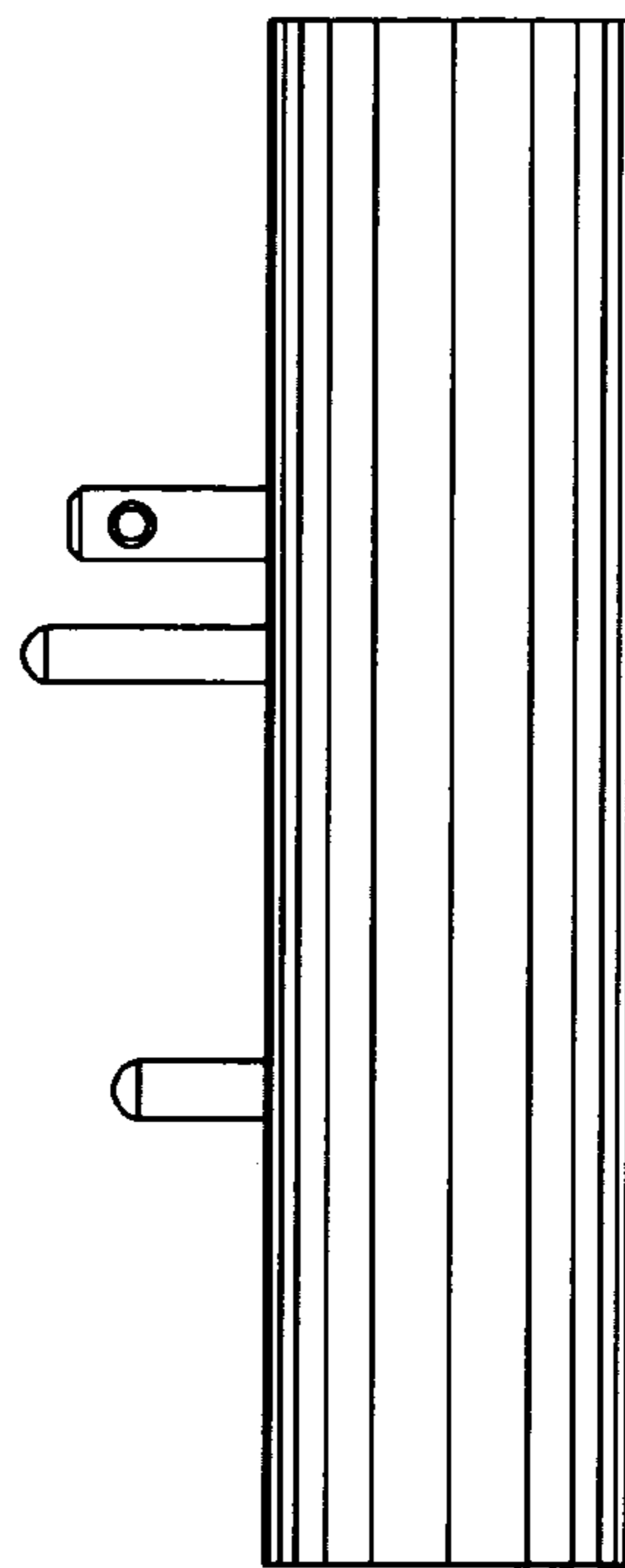


FIG. 5

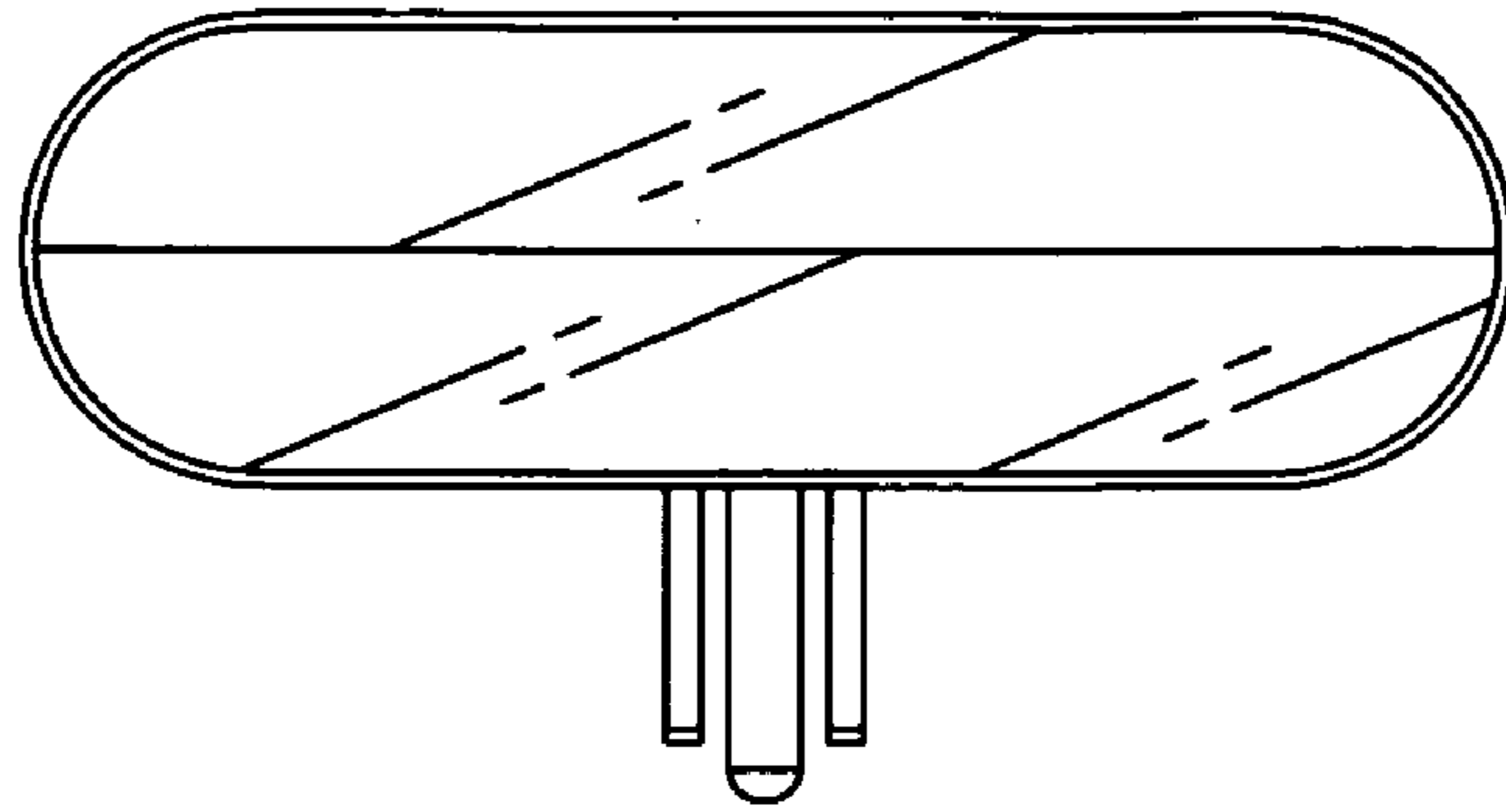


FIG. 6

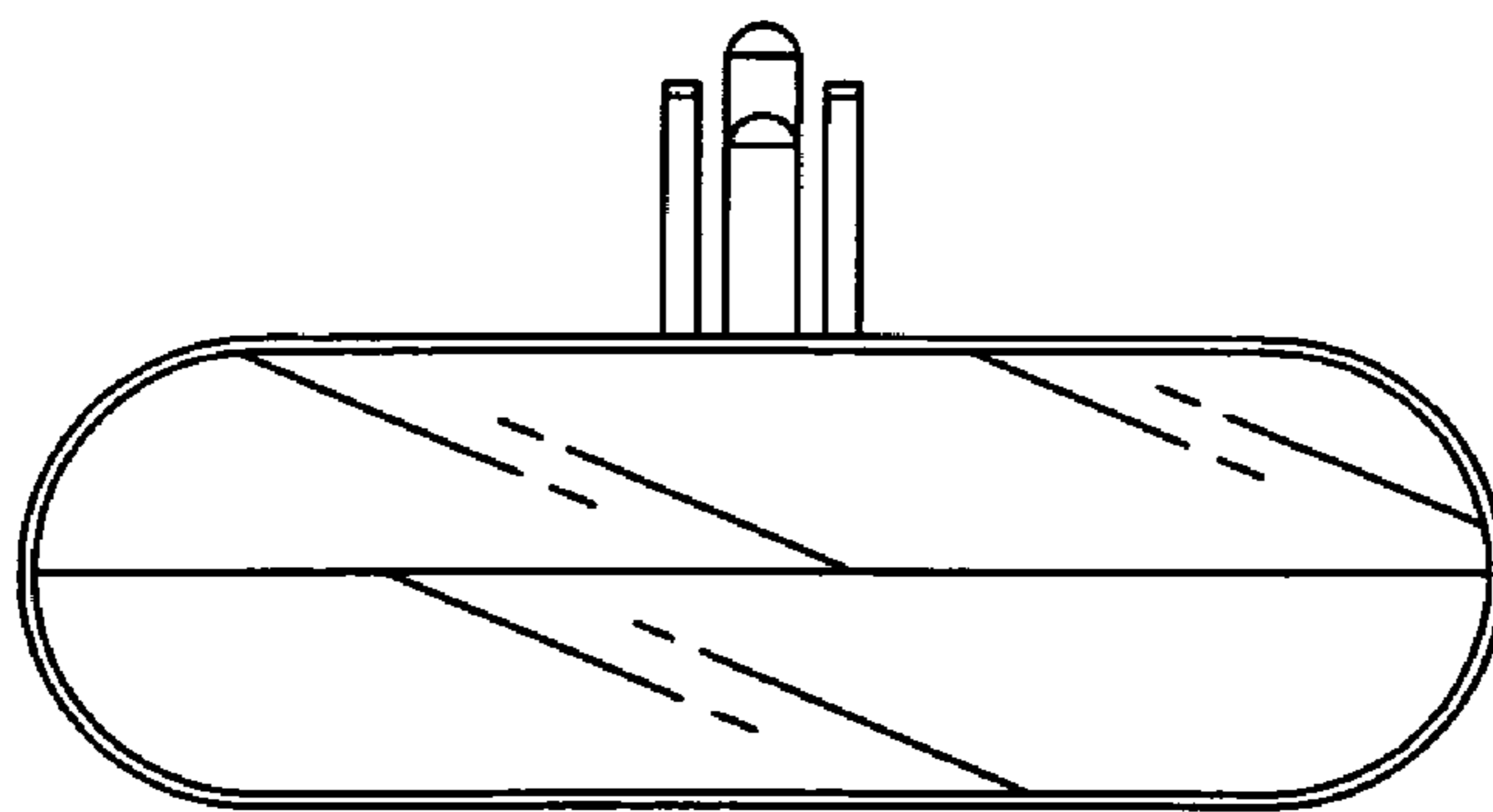


FIG. 7