



US00D582342S

(12) **United States Design Patent**
Chen et al.

(10) **Patent No.:** **US D582,342 S**

(45) **Date of Patent:** **** Dec. 9, 2008**

(54) **THERMAL CELL**

(75) Inventors: **Pin-Chun Chen**, Taipei (TW); **His-Ku Tu**, Taichung (TW); **Shang-Wu Chen**, Kinmen County (TW)

(73) Assignee: **Edison Opto Corporation**, Taipei Hsien (TW)

(**) Term: **14 Years**

(21) Appl. No.: **29/306,155**

(22) Filed: **Apr. 3, 2008**

(51) **LOC (8) Cl.** **13-02**

(52) **U.S. Cl.** **D13/118**

(58) **Field of Classification Search** D13/118,
D13/101, 104, 110, 179, 199; 361/702, 704;
428/616; 429/20, 37, 49, 96, 112

See application file for complete search history.

(56) **References Cited**

U.S. PATENT DOCUMENTS

1,530,055	A *	3/1925	Nielsen, Jr.	428/616
3,575,714	A *	4/1971	Bennett et al.	429/112
4,065,605	A *	12/1977	Zauner	429/112
4,755,350	A *	7/1988	Kennel	376/321
6,093,504	A *	7/2000	Bliesner	429/103

* cited by examiner

Primary Examiner—Prabhakar Deshmukh

Assistant Examiner—Derrick Holland

(74) *Attorney, Agent, or Firm*—Rosenberg, Klein & Lee

(57) **CLAIM**

The ornamental design for a thermal cell, as shown and described.

DESCRIPTION

FIG. 1 is a perspective view of a thermal cell showing our new design;

FIG. 2 is a front elevational view thereof;

FIG. 3 is a rear elevational view thereof;

FIG. 4 is a left side elevational view thereof;

FIG. 5 is a right side elevational view thereof;

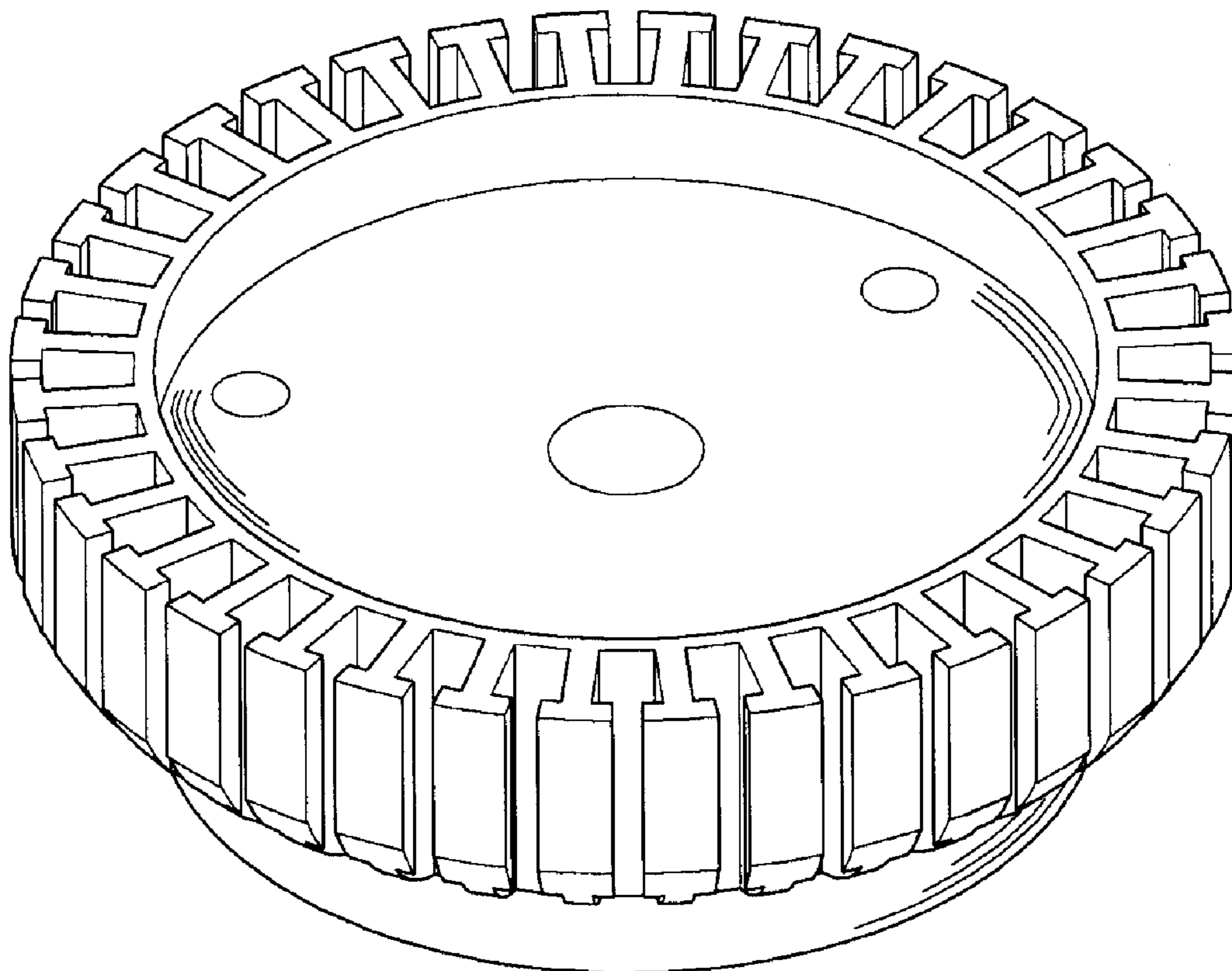
FIG. 6 is a bottom plan view thereof;

FIG. 7 is a top plan view thereof; and,

FIG. 8 is another perspective view thereof, shown in environmental use.

The broken lines showing a second thermal cell and screws represents unclaimed subject matter and forms no part of the claimed design.

1 Claim, 6 Drawing Sheets



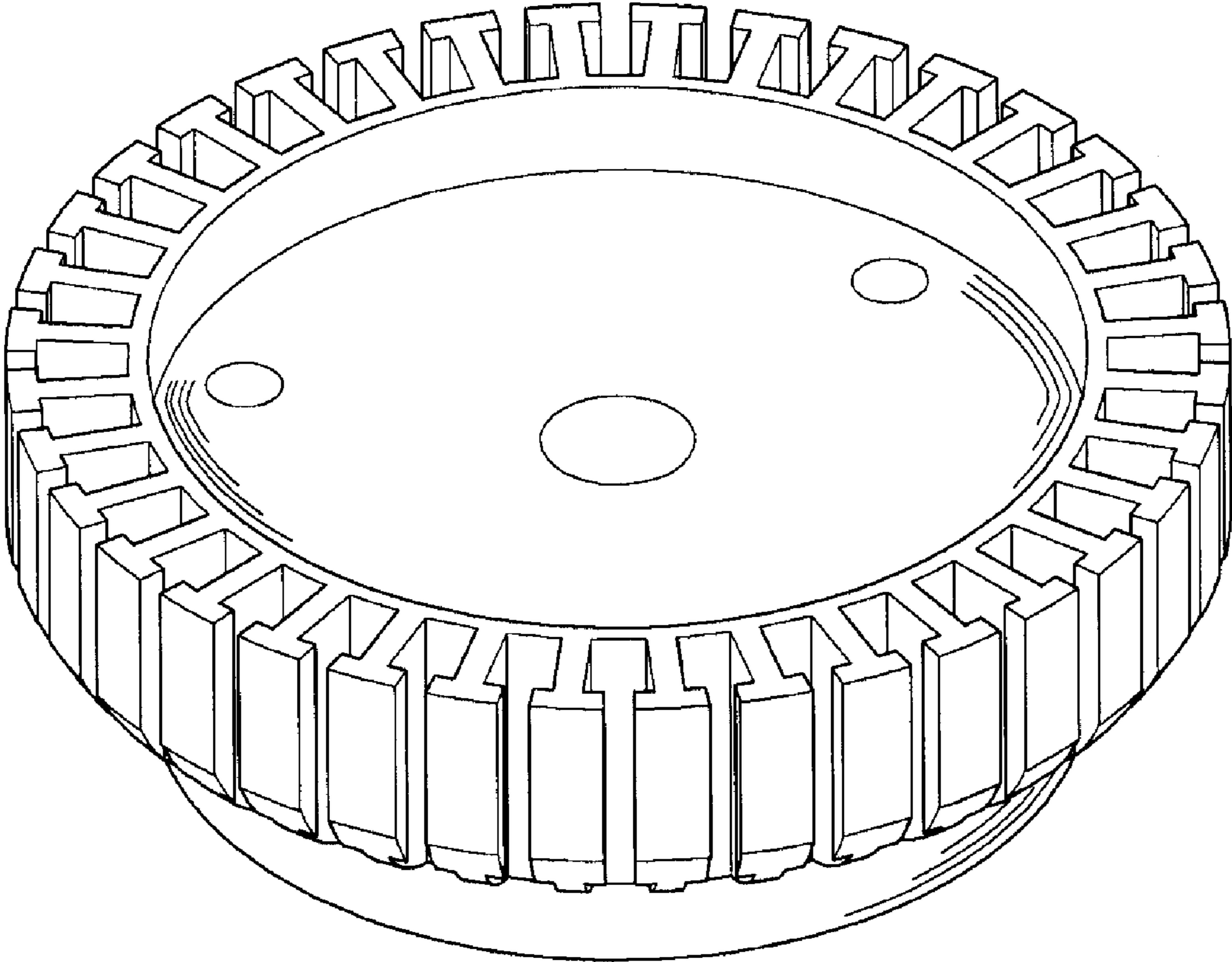


FIG. 1

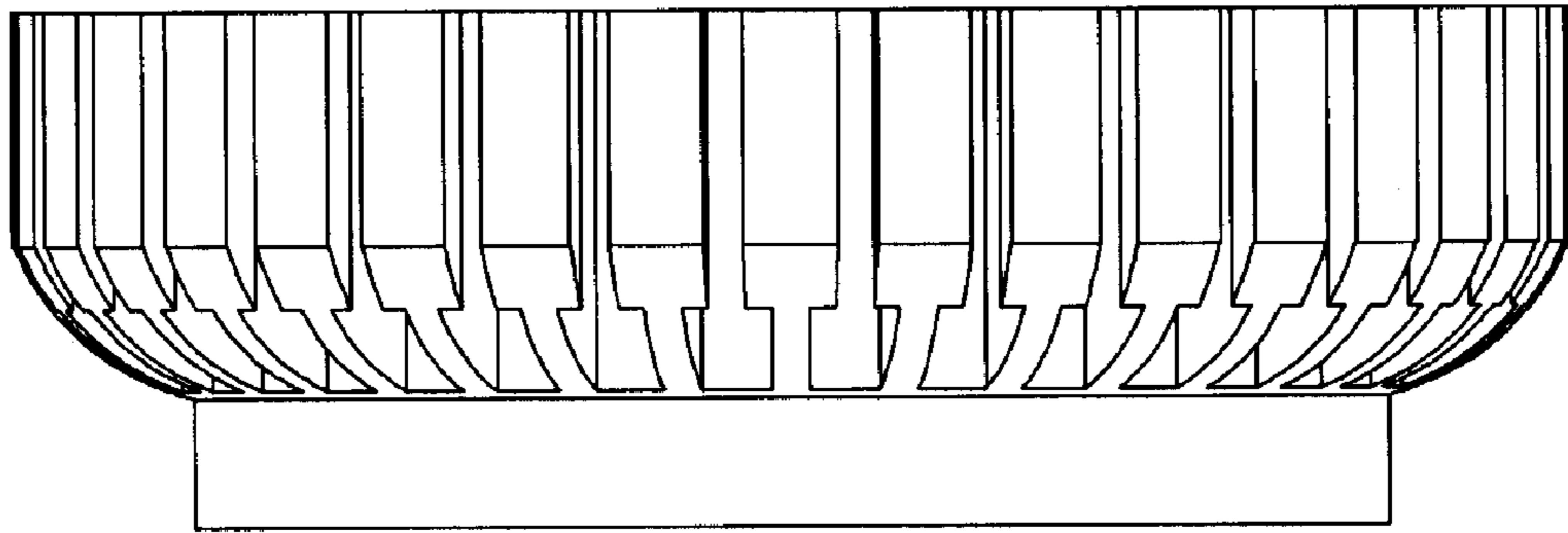


FIG. 2

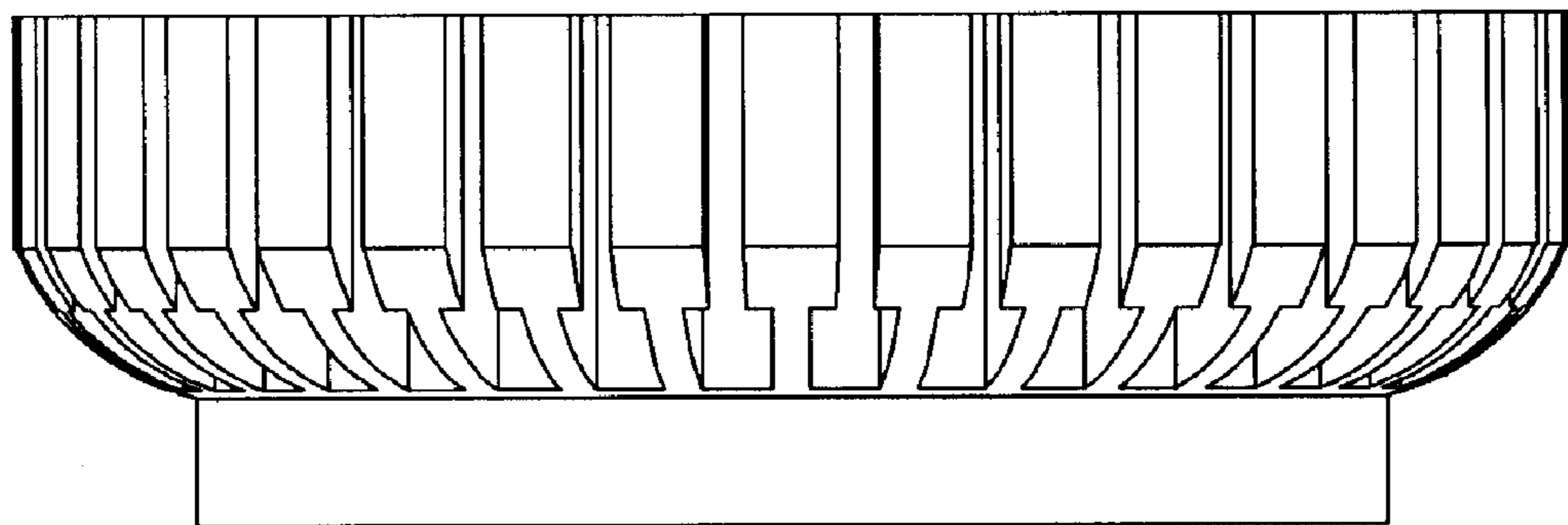


FIG. 3

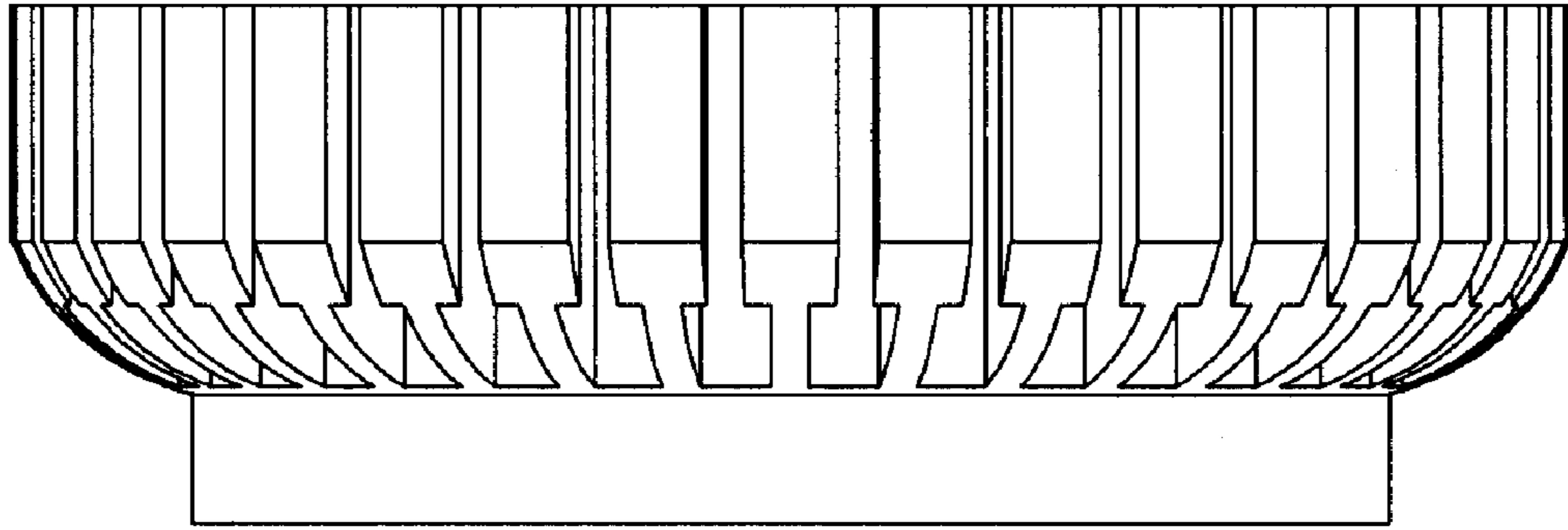


FIG. 4

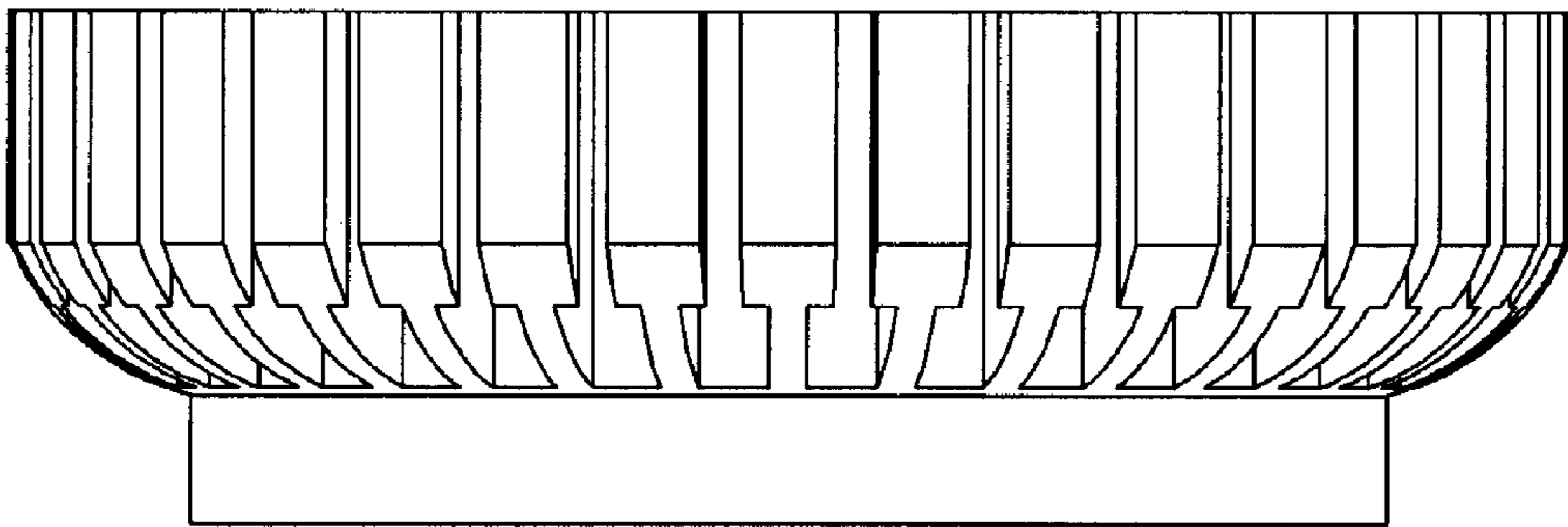


FIG. 5

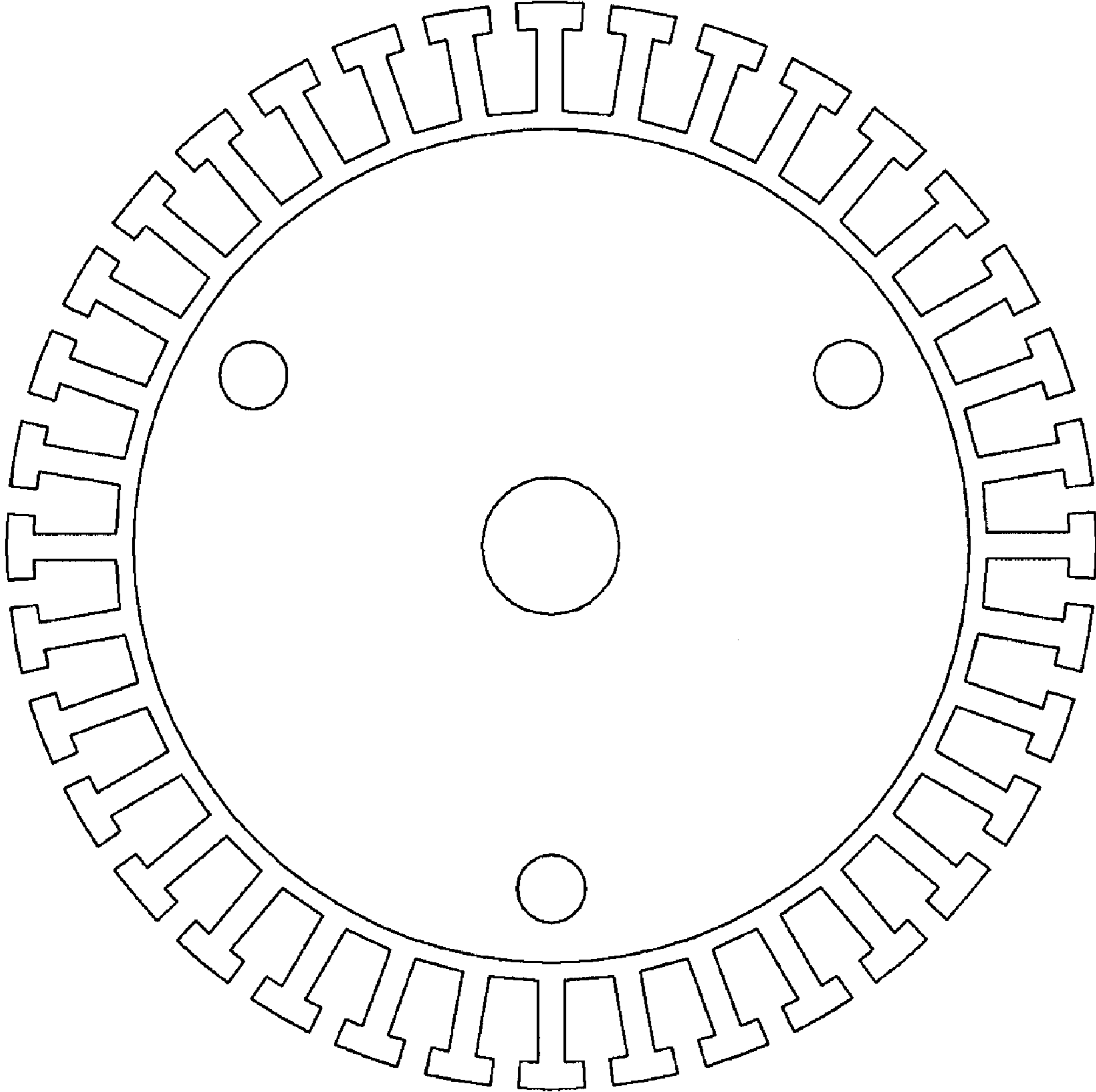


FIG.6

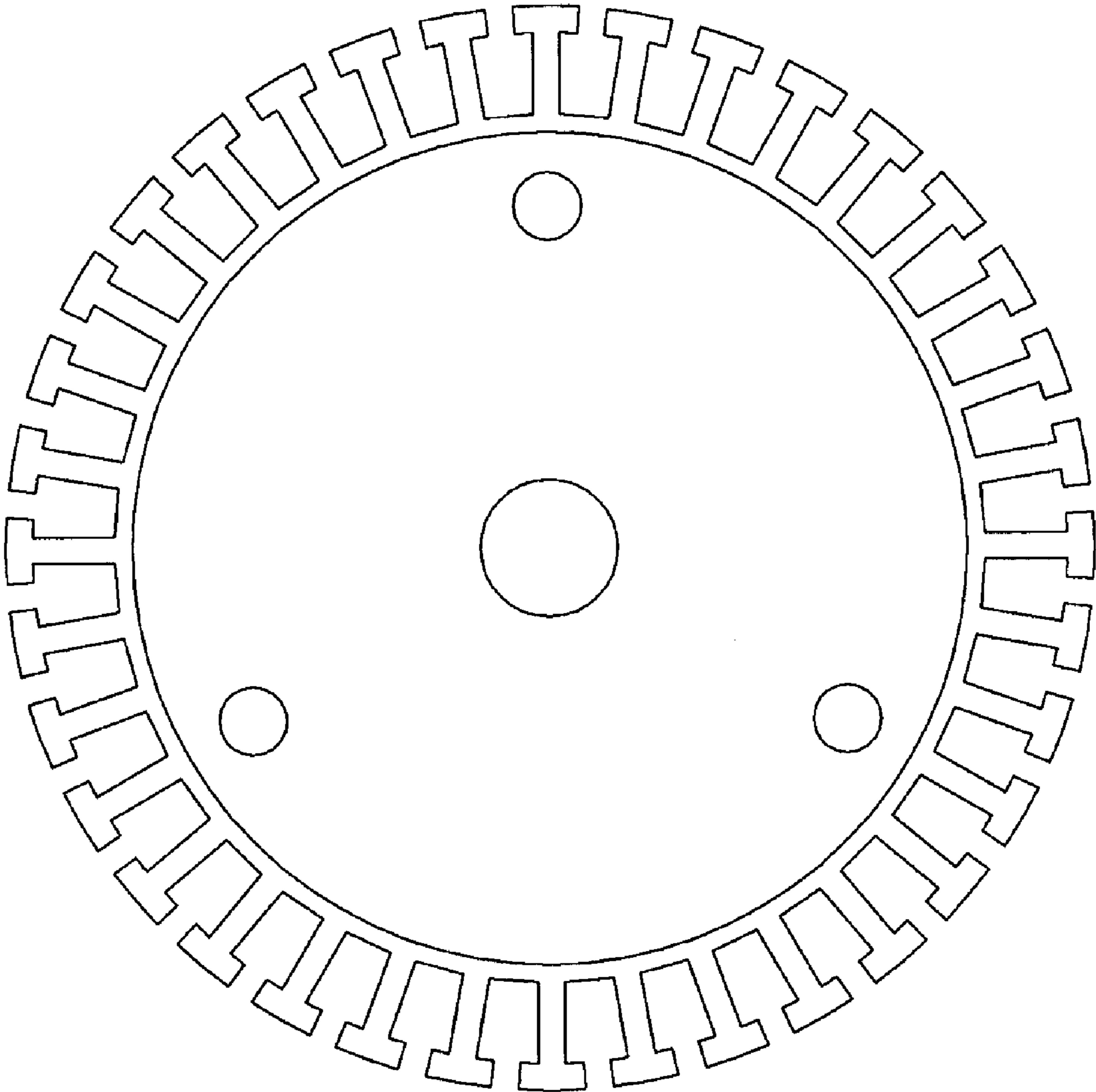


FIG. 7

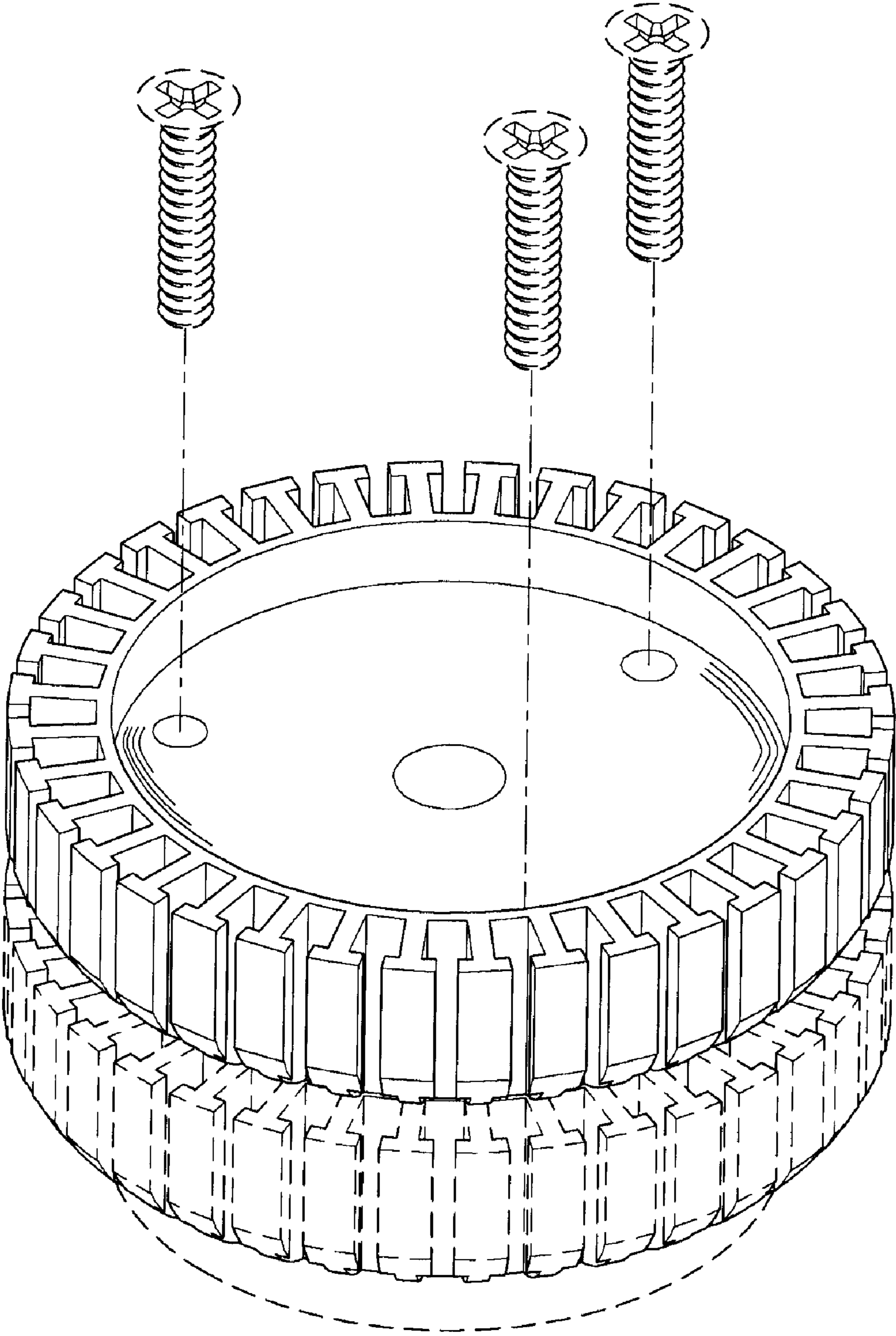


FIG.8