



US00D582340S

(12) **United States Design Patent**  
**Shinkai**

(10) **Patent No.:** **US D582,340 S**  
(45) **Date of Patent:** **\*\* Dec. 9, 2008**

(54) **AUTOMOBILE TIRE**

D570,766 S \* 6/2008 Kiwaki ..... D12/519

(75) Inventor: **Akihiko Shinkai**, Osaka (JP)

FOREIGN PATENT DOCUMENTS

(73) Assignee: **Toyo Tire & Rubber Co., Ltd.**, Osaka (JP)

JP D1289770 S 11/2006

(\*\*) Term: **14 Years**

\* cited by examiner

(21) Appl. No.: **29/306,231**

*Primary Examiner*—Stacia Cadmus

(22) Filed: **Apr. 4, 2008**

(74) *Attorney, Agent, or Firm*—Westerman, Hattori, Daniels & Adrian, LLP.

(30) **Foreign Application Priority Data**

(57) **CLAIM**

Feb. 28, 2008 (JP) ..... D2008-007252

The ornamental design for an automobile tire, as shown and described.

(51) **LOC (8) Cl.** ..... **12-15**

**DESCRIPTION**

(52) **U.S. Cl.** ..... **D12/524**

FIG. 1 is a front view of the automobile tire;

(58) **Field of Classification Search** ..... D12/505-532,  
D12/900-901; 152/209.1, 209.8-209.13,  
152/209.28, 455

FIG. 2 is a rear view of the automobile tire;

See application file for complete search history.

FIG. 3 is a left-side view of the automobile tire;

(56) **References Cited**

U.S. PATENT DOCUMENTS

- D341,111 S \* 11/1993 Himuro et al. .... D12/524
- D403,996 S \* 1/1999 Espinasse et al. .... D12/524
- D476,946 S \* 7/2003 Lee et al. .... D12/524
- D513,603 S \* 1/2006 Shondel ..... D12/524
- D515,021 S \* 2/2006 Delu et al. .... D12/524
- D531,108 S \* 10/2006 Marazzi et al. .... D12/523
- D558,129 S \* 12/2007 Sato et al. .... D12/524

FIG. 4 is a right-side view of the automobile tire;

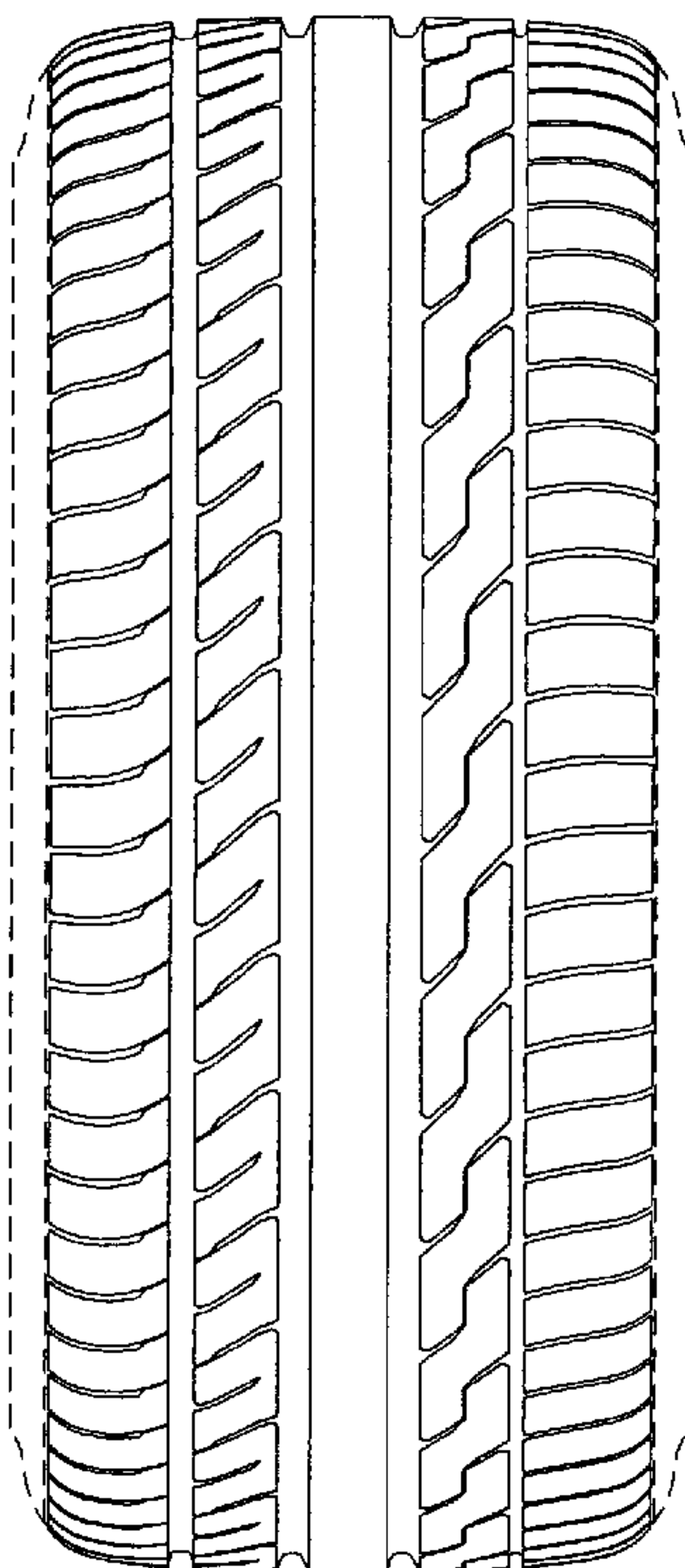
FIG. 5 is a perspective view of the automobile tire;

FIG. 6 is a reference front view; a part of its tread painted black; and,

FIG. 7 is an enlarged cross-section view taken along the line A—A in FIG. 6.

In the drawings, the broken lines defining the sidewall, inner bead and the peripheral boundary between the claimed tire tread and the unclaimed sidewall depict environmental subject matter that forms no part of the claimed design.

**1 Claim, 7 Drawing Sheets**



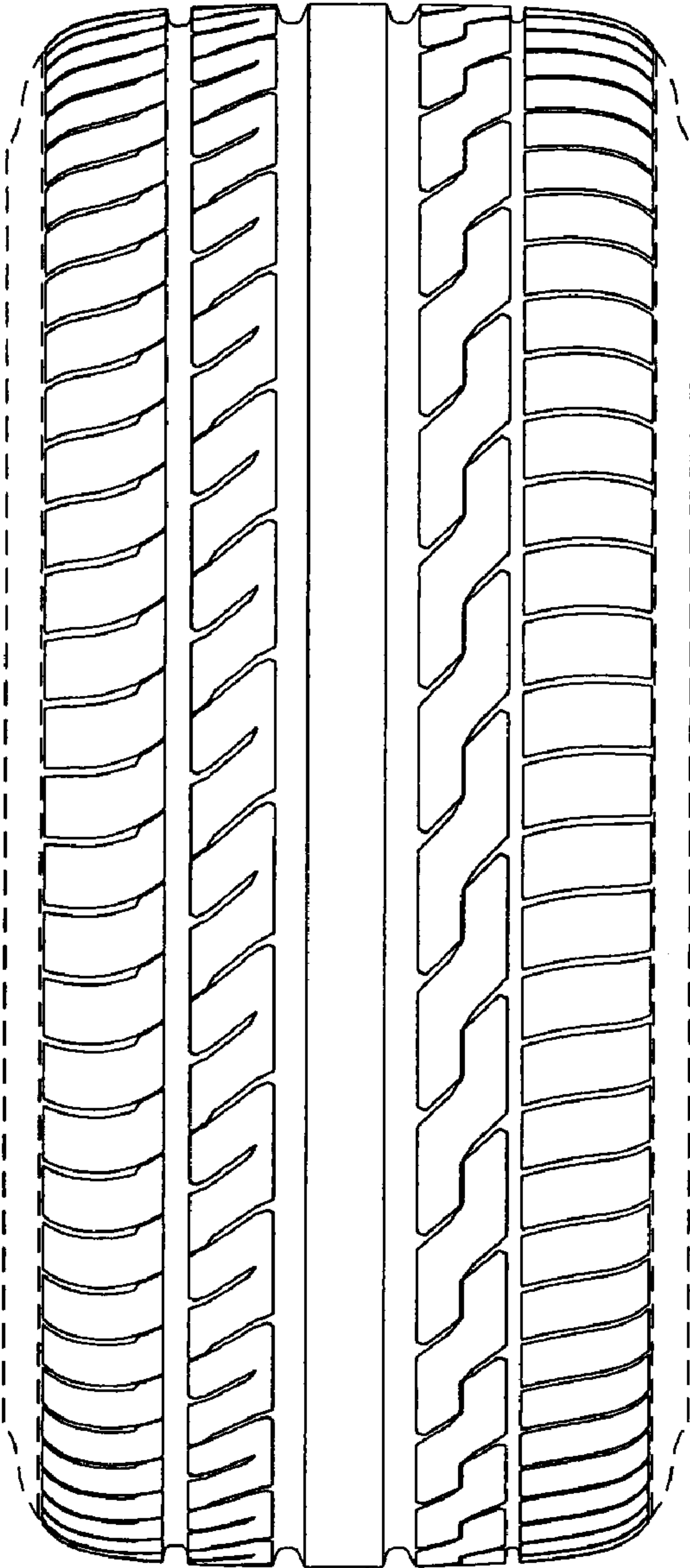


FIG. 1

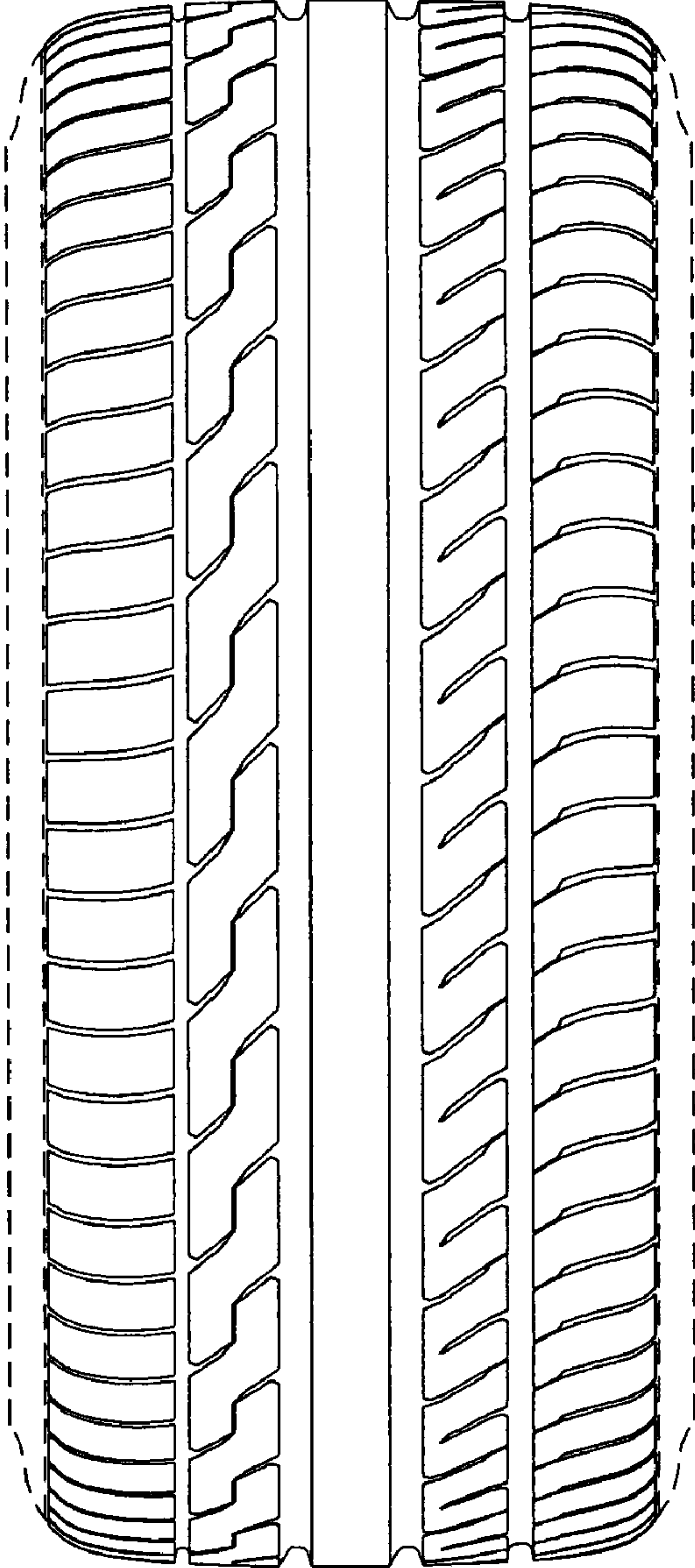


FIG.2

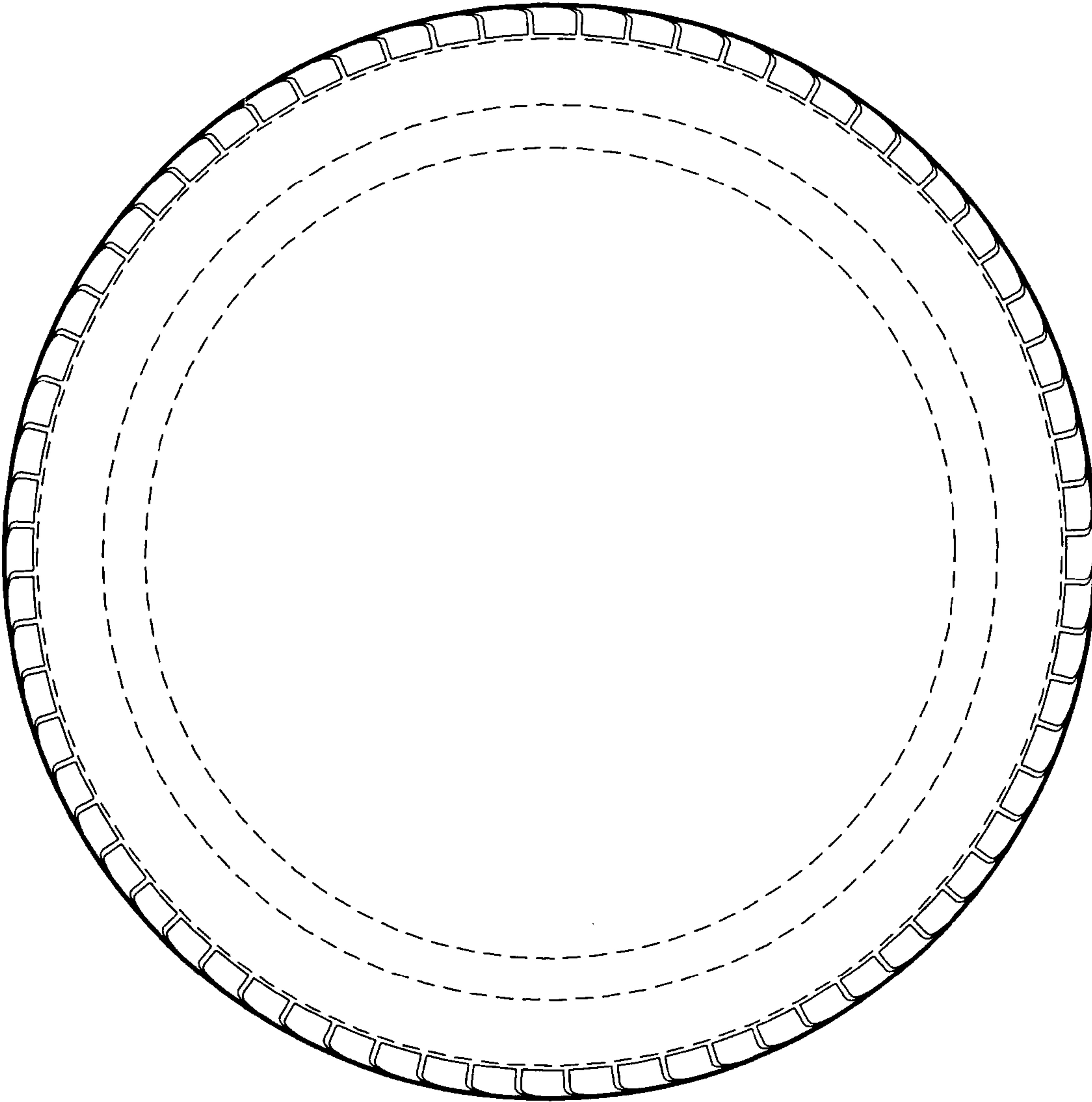


FIG.3

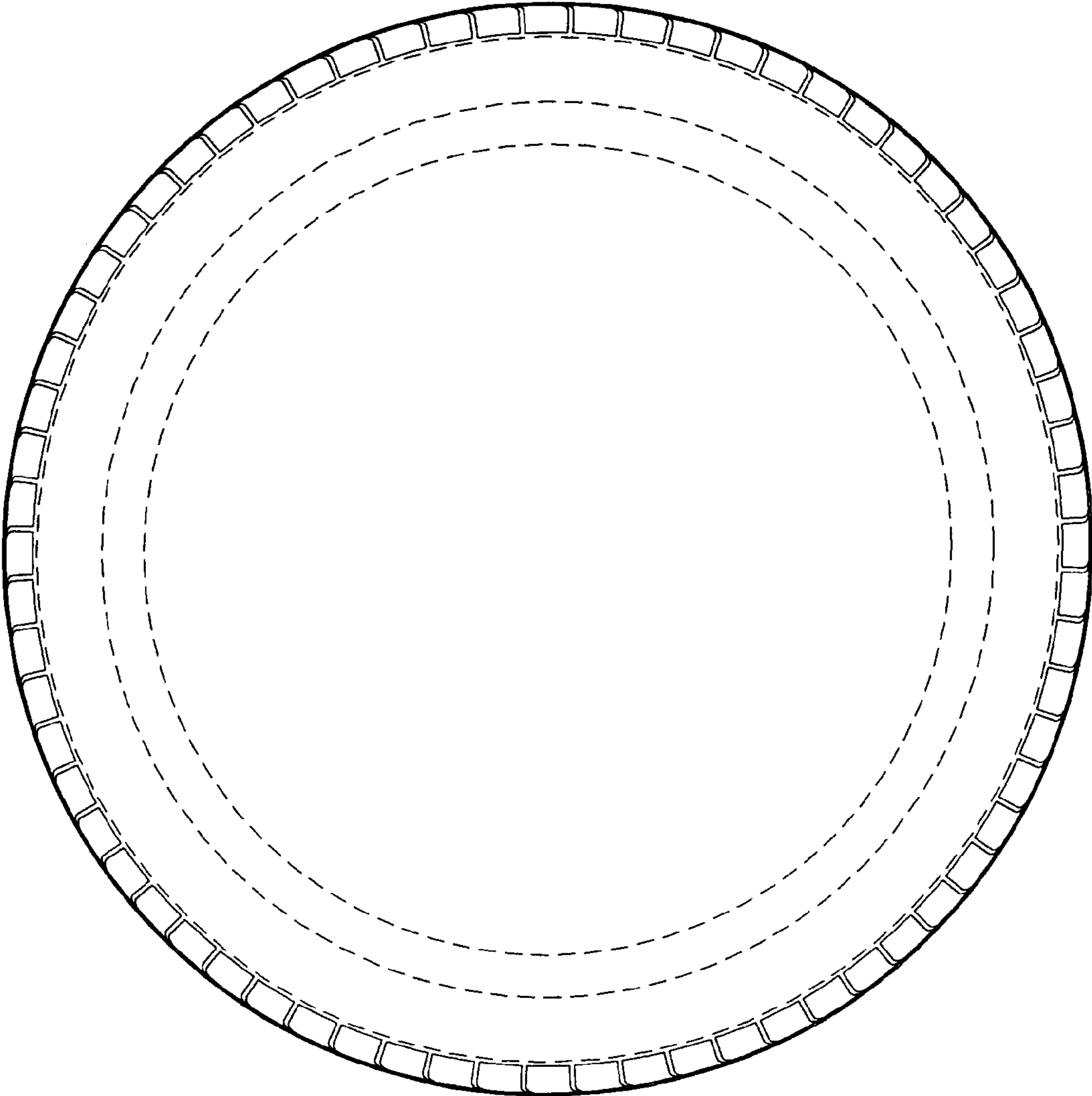


FIG.4



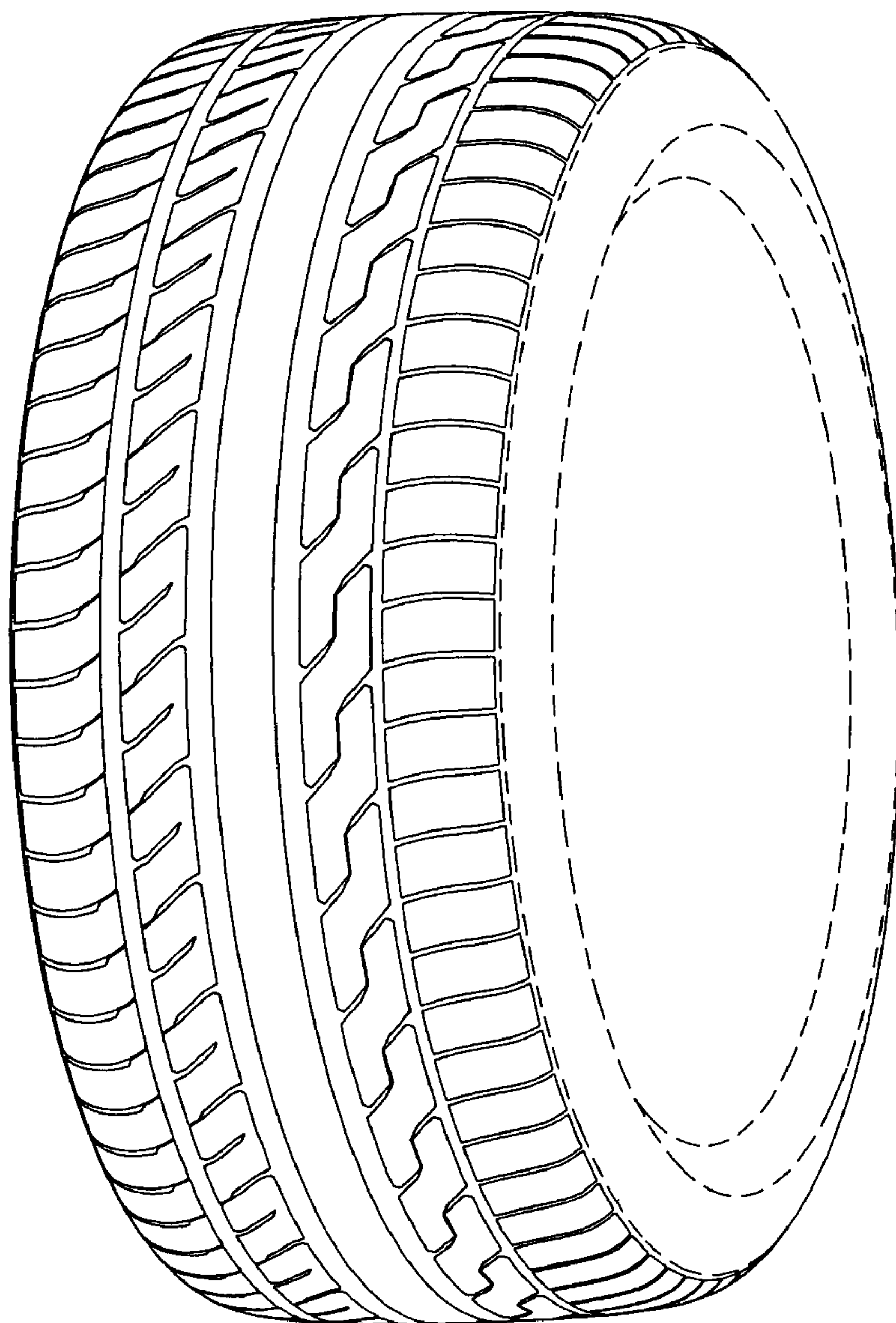


FIG.5

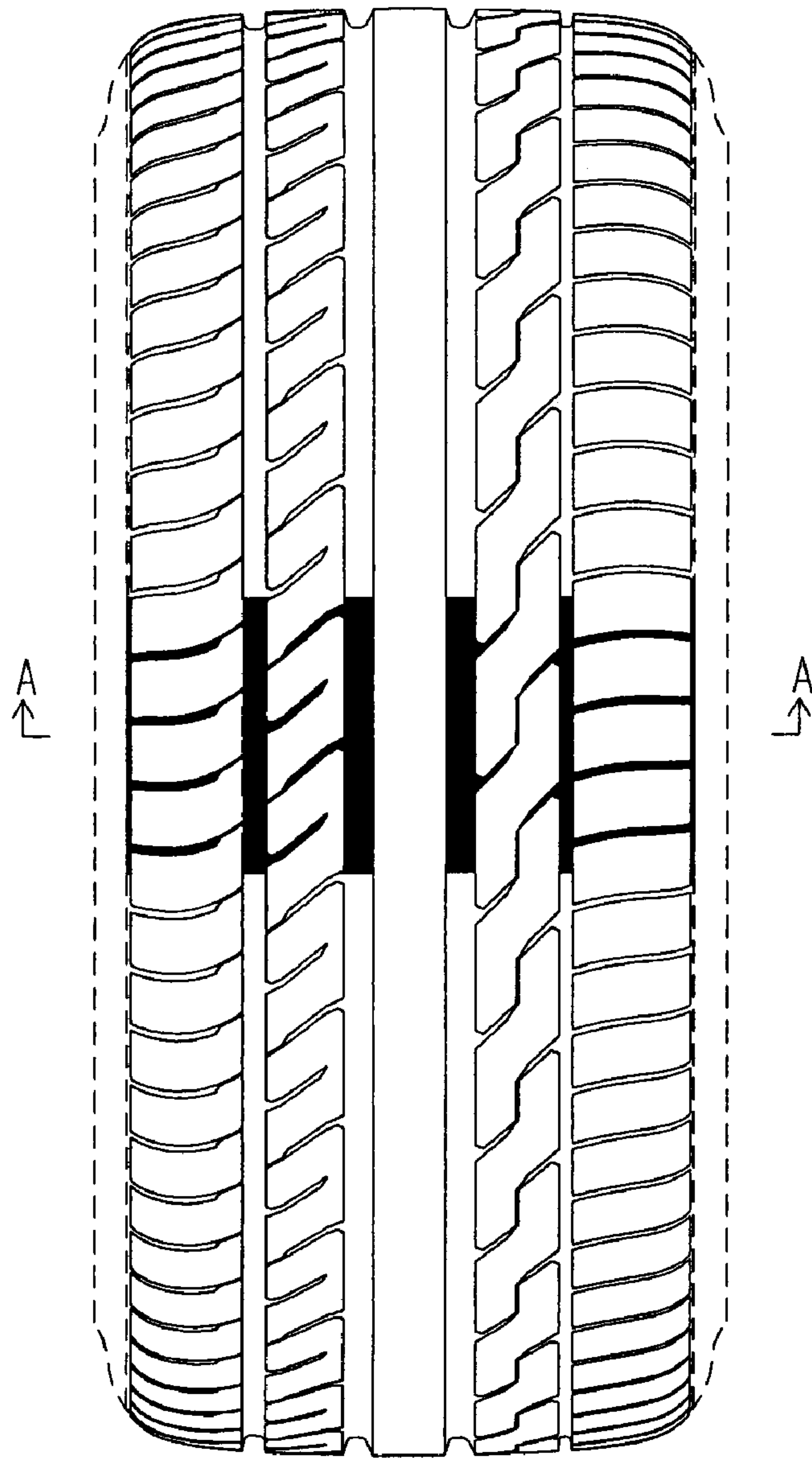


FIG.6

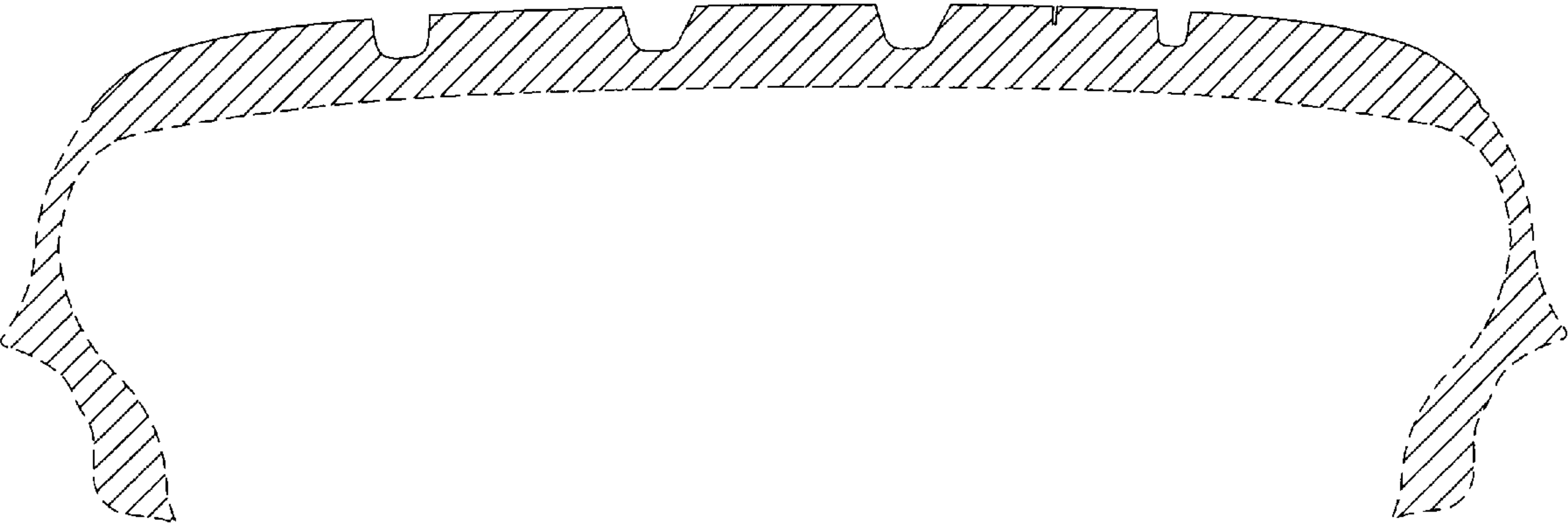


FIG.7