



US00D582338S

(12) **United States Design Patent**
Nemec et al.

(10) **Patent No.:** **US D582,338 S**
(45) **Date of Patent:** **** Dec. 9, 2008**

- (54) **SKATEBOARD RACK**
- (75) Inventors: **Sean Nemec**, 16507 E. 24th La.,
Spokane Valley, WA (US) 99037; **Ron Stokes**,
Spokane Valley, WA (US)
- (73) Assignee: **Sean Nemec**, Spokane Valley, WA (US)
- (**) Term: **14 Years**
- (21) Appl. No.: **29/282,177**
- (22) Filed: **Jul. 12, 2007**
- (51) **LOC (8) Cl.** **12-16**
- (52) **U.S. Cl.** **D12/407**
- (58) **Field of Classification Search** D12/406-408,
D12/414, 414.1, 115, 120, 110, 111, 114;
280/288.4, 293, 298-304, 304.5; 180/219;
211/85.7, 85.3, 85.6, 5, 17-22; D6/315,
D6/317, 320, 327, 449, 462, 552; 224/400,
224/401, 412, 419, 450, 42.11, 917, 917.5,
224/420

6,007,041	A	12/1999	Law	248/491
6,227,426	B1	5/2001	Martin et al.	224/421
6,293,412	B1	9/2001	Draper	211/4
6,401,998	B1	6/2002	Puluso	224/422
6,640,978	B2	11/2003	Reiser et al.	211/4
6,832,711	B2	12/2004	Black	224/628

OTHER PUBLICATIONS

Web page (us.st11.yimg.com/us.st.yimg.com/I/123skateboard_1969_1056804) printed on Oct. 2, 2007.

* cited by examiner

Primary Examiner—Cathron Brooks
Assistant Examiner—Linda Brooks
(74) *Attorney, Agent, or Firm*—Wells St. John, P.S.

(57) **CLAIM**

The ornamental design for a skateboard rack, as shown and described.

DESCRIPTION

FIG. 1 is a front perspective view of a skateboard rack showing inventors' new design;
FIG. 2 is a rear perspective view of the skateboard rack invention;
FIG. 3 is a rear elevational view thereof;
FIG. 4 is a left side elevational view thereof;
FIG. 5 is a right side elevational view thereof;
FIG. 6 is a front elevational view thereof;
FIG. 7 is a top plan view thereof;
FIG. 8 is a bottom plan view thereof; and,
FIG. 9 is a rear perspective view of the skateboard rack invention with broken lines showing possible attachments thereon.

The broken line showing of attachments to the skateboard rack is included for the purpose of illustrating environmental matter and forms no part of the claimed design.

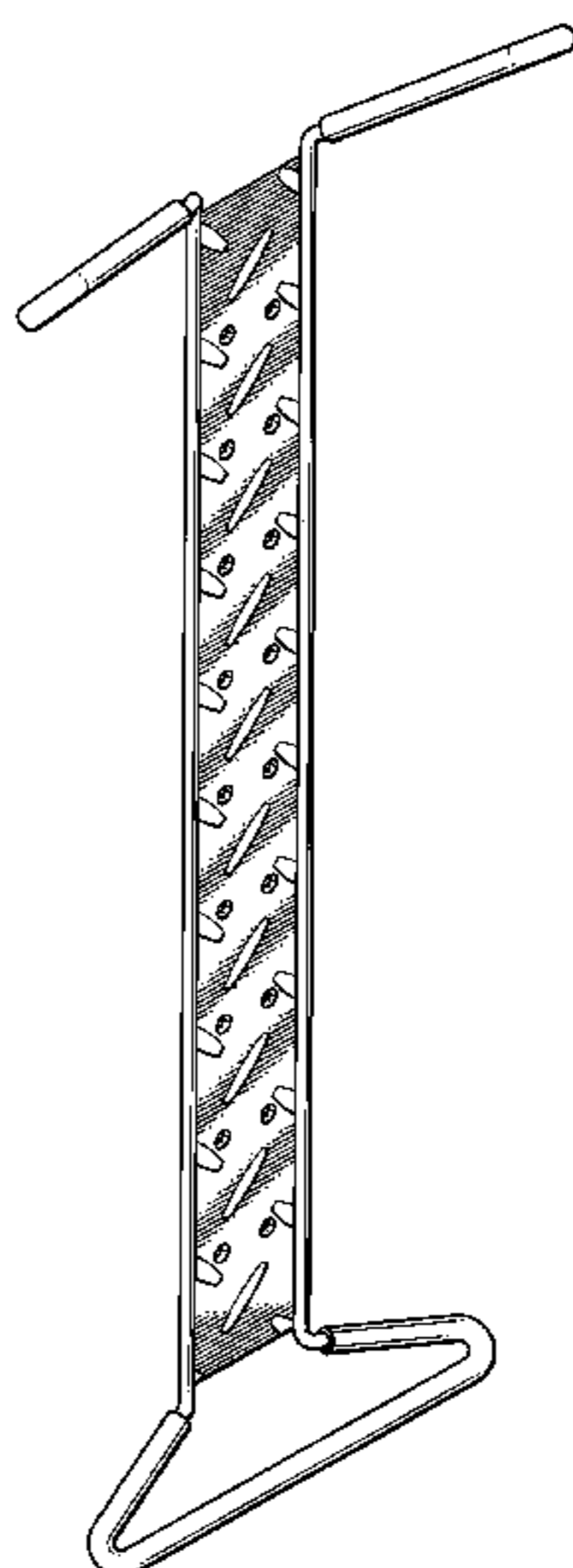
1 Claim, 9 Drawing Sheets

See application file for complete search history.

(56) **References Cited**

U.S. PATENT DOCUMENTS

D227,194	S	*	6/1973	Palmer	D6/462	X
4,223,864	A		9/1980	Harlow	248/490	
4,393,986	A		7/1983	Sirey	224/443	
4,396,135	A	*	8/1983	Lundgren	224/461	
4,429,818	A		2/1984	Patterson et al.	224/450	
4,739,961	A		4/1988	Thomas	248/490	
4,928,863	A		5/1990	Morgan	224/460	
5,016,794	A		5/1991	Beagle, Jr.	224/629	
5,120,012	A		6/1992	Rosenau	248/201	
5,127,562	A		7/1992	Zane et al.	224/446	
5,217,149	A		6/1993	Simonett	224/446	
5,222,639	A		6/1993	Simonett	224/446	
D364,979	S	*	12/1995	Thomas et al.	D6/465	
5,667,118	A		9/1997	Faasse	224/430	
D389,688	S	*	1/1998	Iacono	D6/552	
5,810,229	A		9/1998	Harrell	224/415	



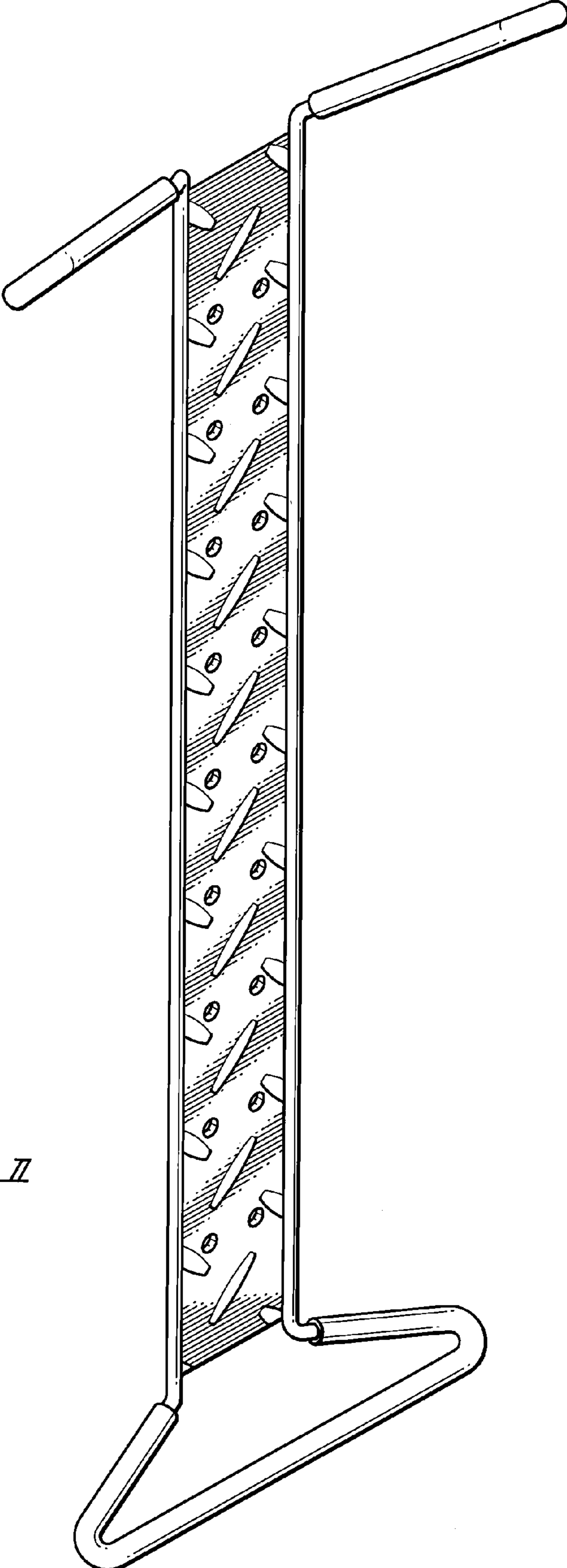


Fig. 1 II

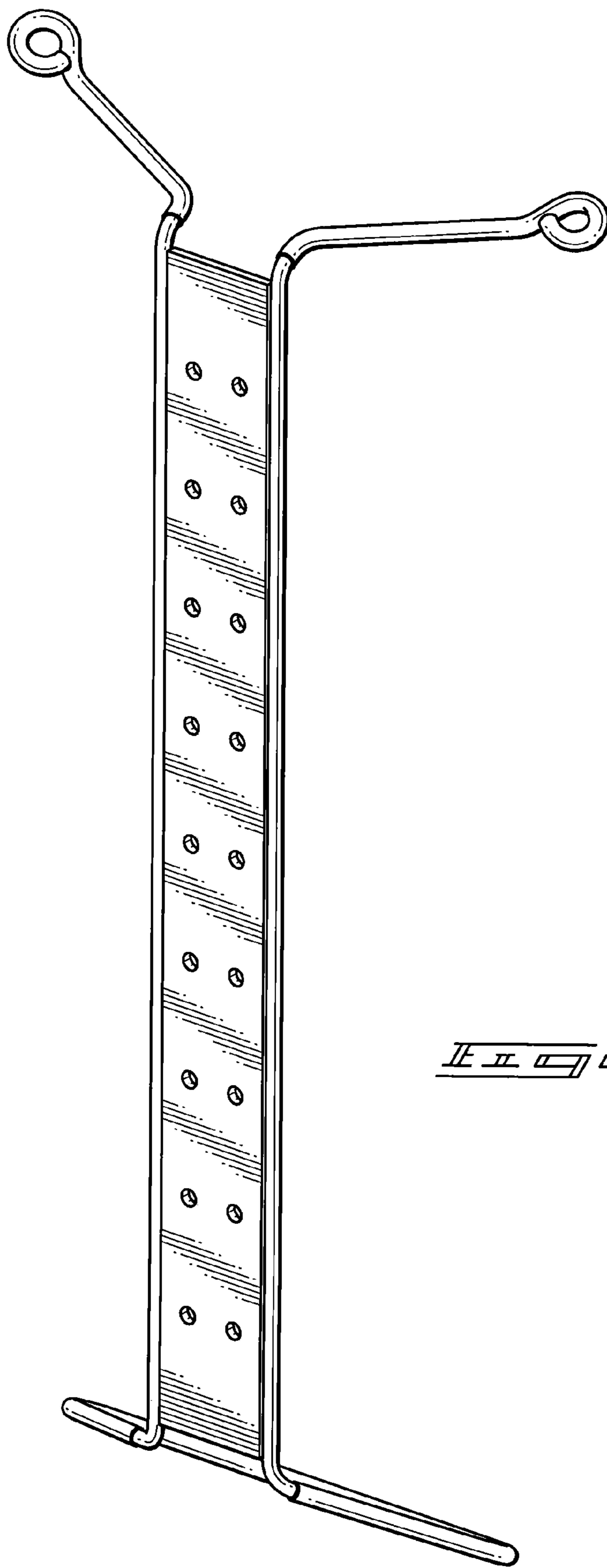


FIG. 2

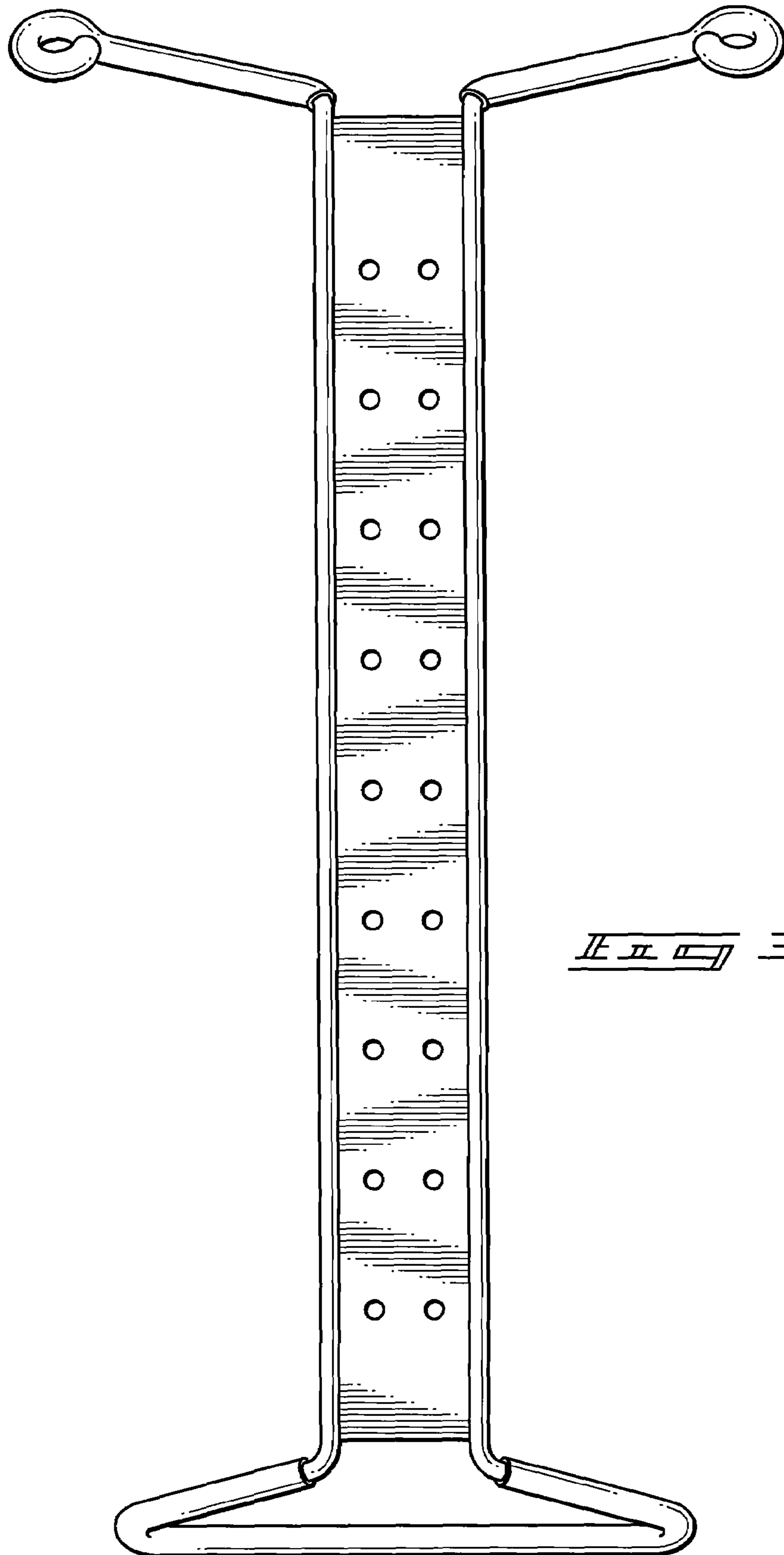
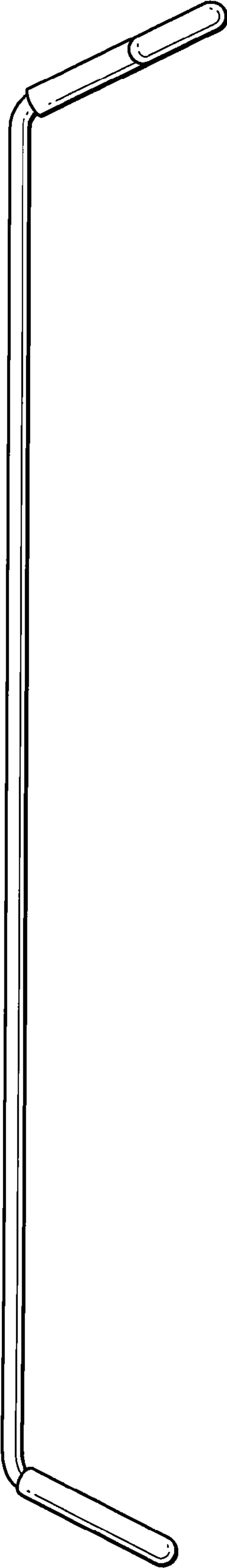


FIG. 3

Fig. 4



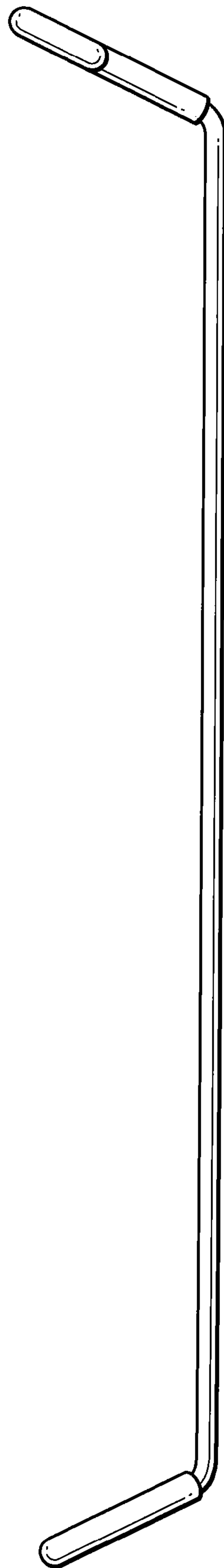
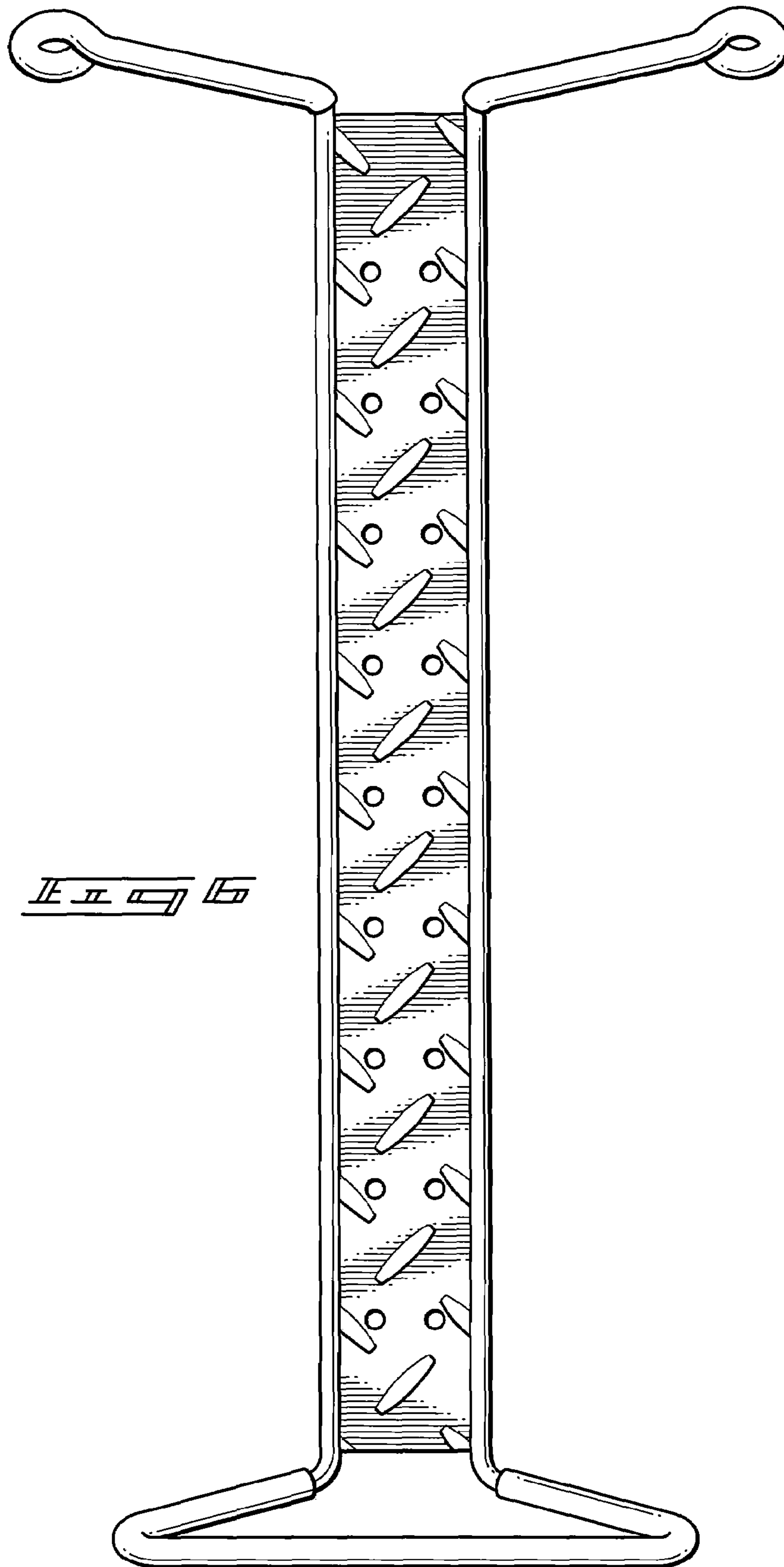
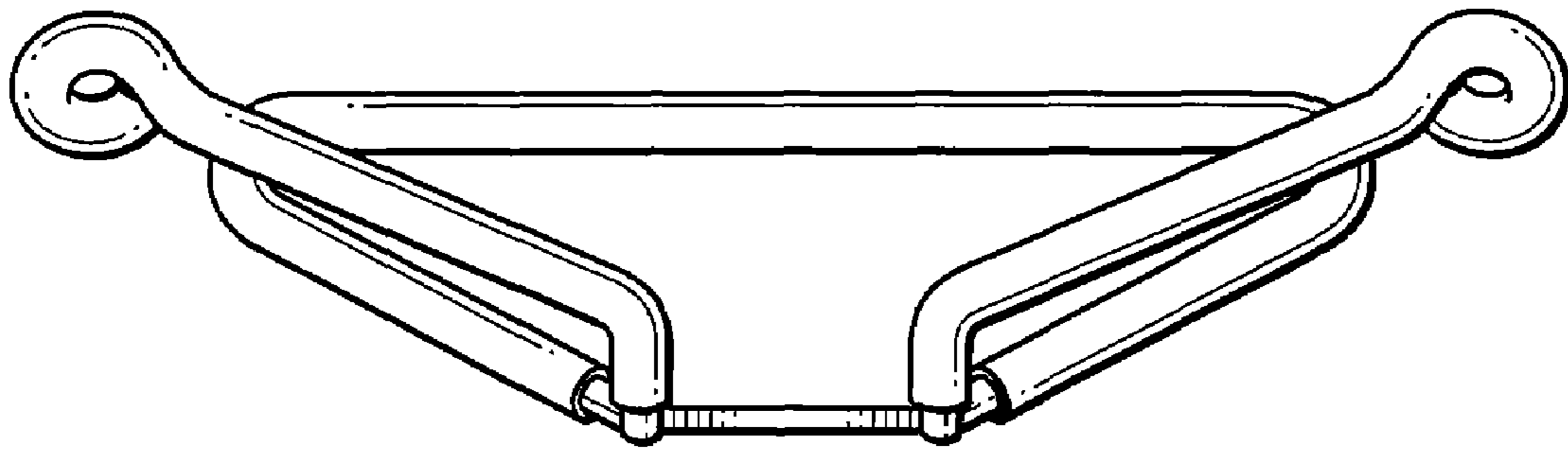
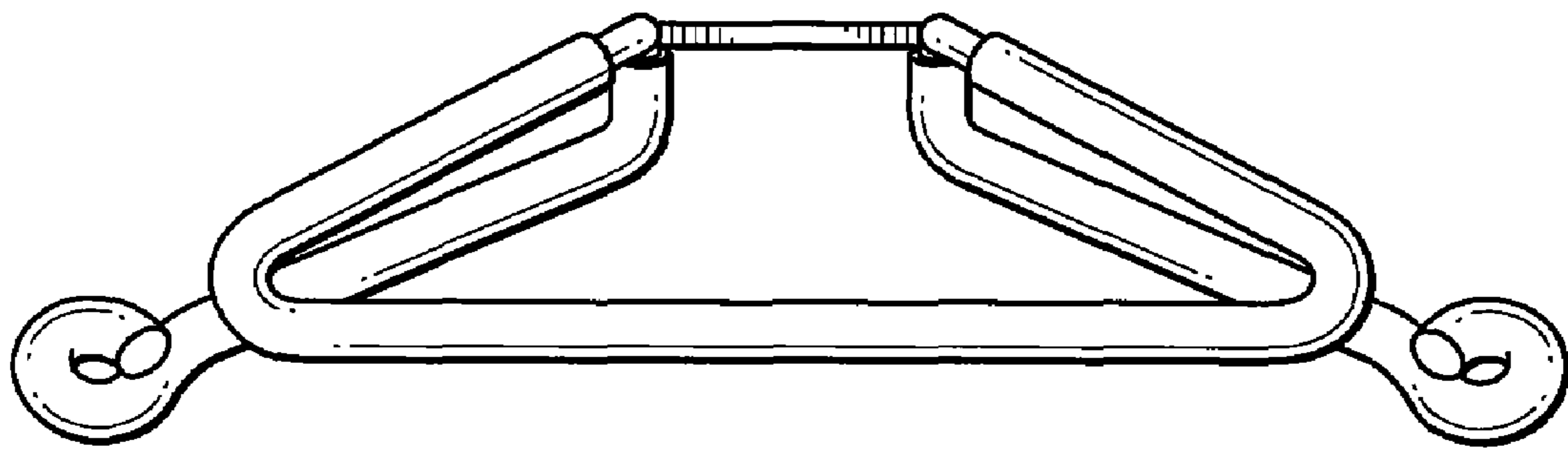


FIG. 5







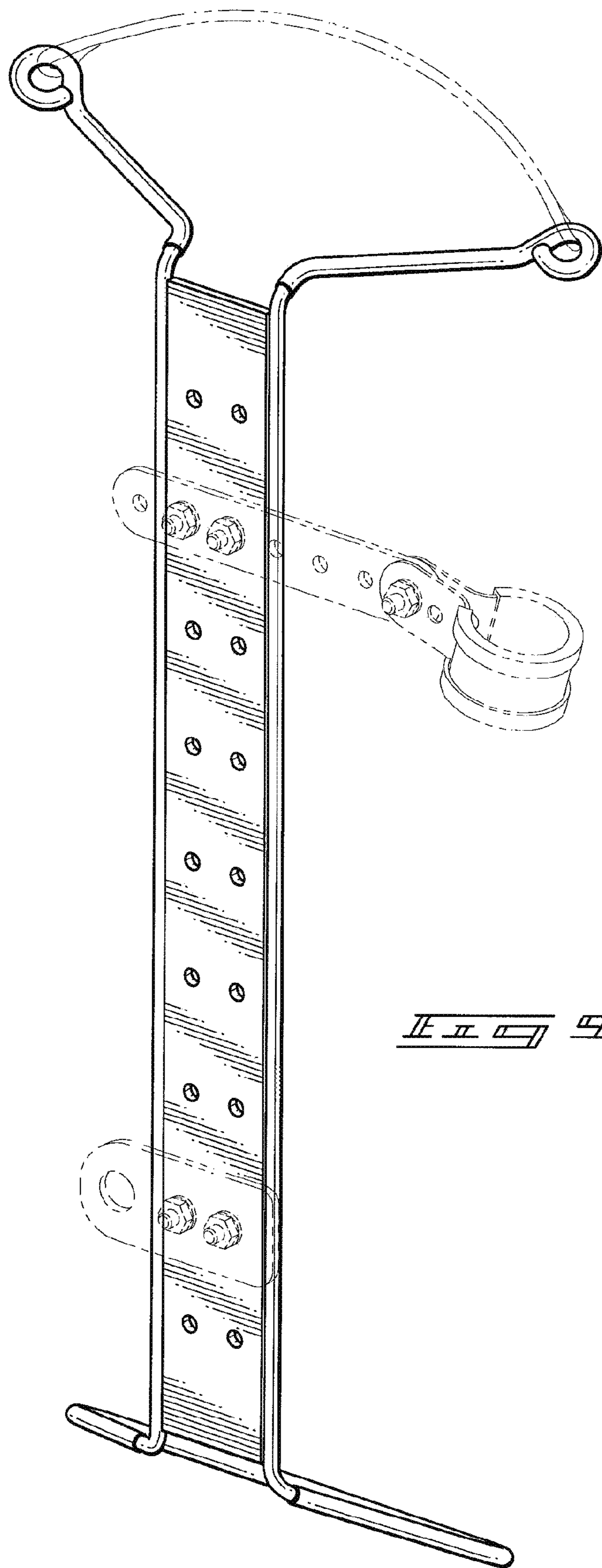


FIG. 9