

US00D582337S

(12) **United States Design Patent**  
**Derecktor**

(10) **Patent No.:** **US D582,337 S**  
(45) **Date of Patent:** **\*\* Dec. 9, 2008**

(54) **SET OF OVERHEAD RACKS**

2008/0054037 A1\* 3/2008 Niedziela et al. .... 224/403

(75) Inventor: **Thomas E. Derecktor**, Portsmouth, RI (US)

**OTHER PUBLICATIONS**

TracRac product information (2 pages).  
TracRac product Owner's Manual (12 pages).

(73) Assignee: **Tracrac, Inc.**, Fall River, MA (US)

\* cited by examiner

(\*\*) Term: **14 Years**

*Primary Examiner*—Robert M. Spear  
*Assistant Examiner*—George D Kirschbaum  
(74) *Attorney, Agent, or Firm*—Pillsbury Winthrop Shaw Pittman

(21) Appl. No.: **29/250,081**

(22) Filed: **Nov. 1, 2006**

(51) **LOC (8) Cl.** ..... **12-16**

(57) **CLAIM**

(52) **U.S. Cl.** ..... **D12/406**

The ornamental design for a set of overhead racks, as and described.

(58) **Field of Classification Search** ..... D12/406,

D12/414.4, 412; 224/405, 403, 331; 296/3, 296/68, 100, 32, 35.2, 36, 37.6, 43, 105

See application file for complete search history.

**DESCRIPTION**

(56) **References Cited**

**U.S. PATENT DOCUMENTS**

2,833,550	A	5/1958	Frick	
3,237,362	A	3/1966	Fromson	
3,273,299	A	9/1966	Hartung	
3,430,582	A	3/1969	Appelt	
5,002,324	A	3/1991	Griffin	
5,124,186	A	6/1992	Wycech	
5,398,989	A	3/1995	Winter	
5,494,327	A	2/1996	Derecktor	
5,848,743	A	12/1998	Derecktor	
D410,429	S	6/1999	Derecktor	
5,927,782	A *	7/1999	Olms	296/3
6,059,159	A	5/2000	Fisher	
6,182,876	B1 *	2/2001	Moliner	224/321
6,971,563	B2	12/2005	Levi	
2004/0262348	A1	12/2004	Green	
2006/0163300	A1	7/2006	Kramer	

FIG. 1 is a perspective view of a set of overhead racks showing my new design;

FIG. 2 is a front perspective view showing a single rack thereof, removed from the set for clarity of disclosure;

FIG. 3 is a rear perspective view thereof;

FIG. 4 is an enlarged rear perspective view thereof;

FIG. 5 is a front elevational view thereof;

FIG. 6 is a rear elevational view thereof;

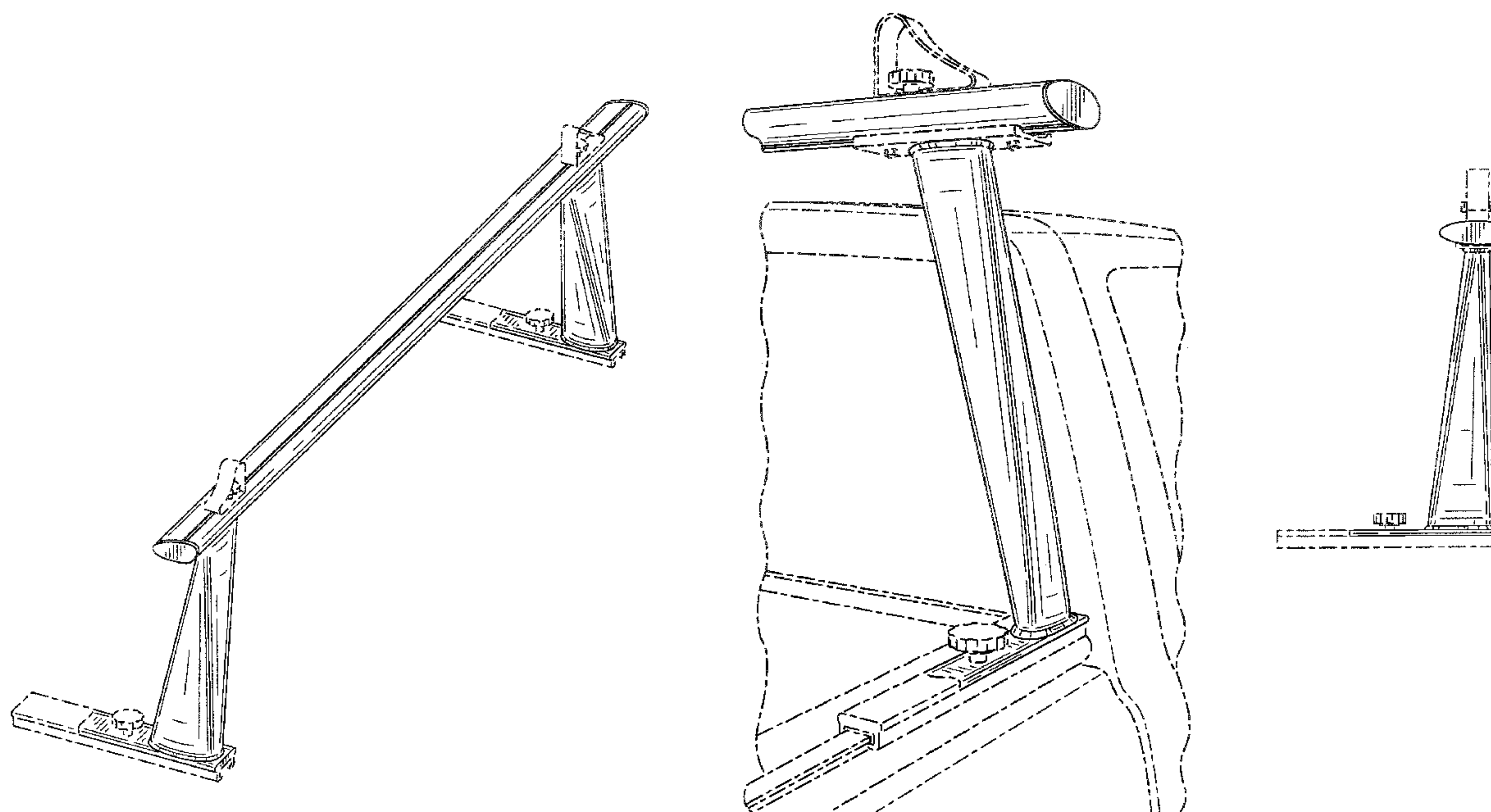
FIG. 7 is a right side view, the left side being a mirror image thereof;

FIG. 8 is a top view thereof; and,

FIG. 9 is a bottom view thereof.

The subject matter illustrated in broken lines forms no part of the claimed invention.

**1 Claim, 8 Drawing Sheets**



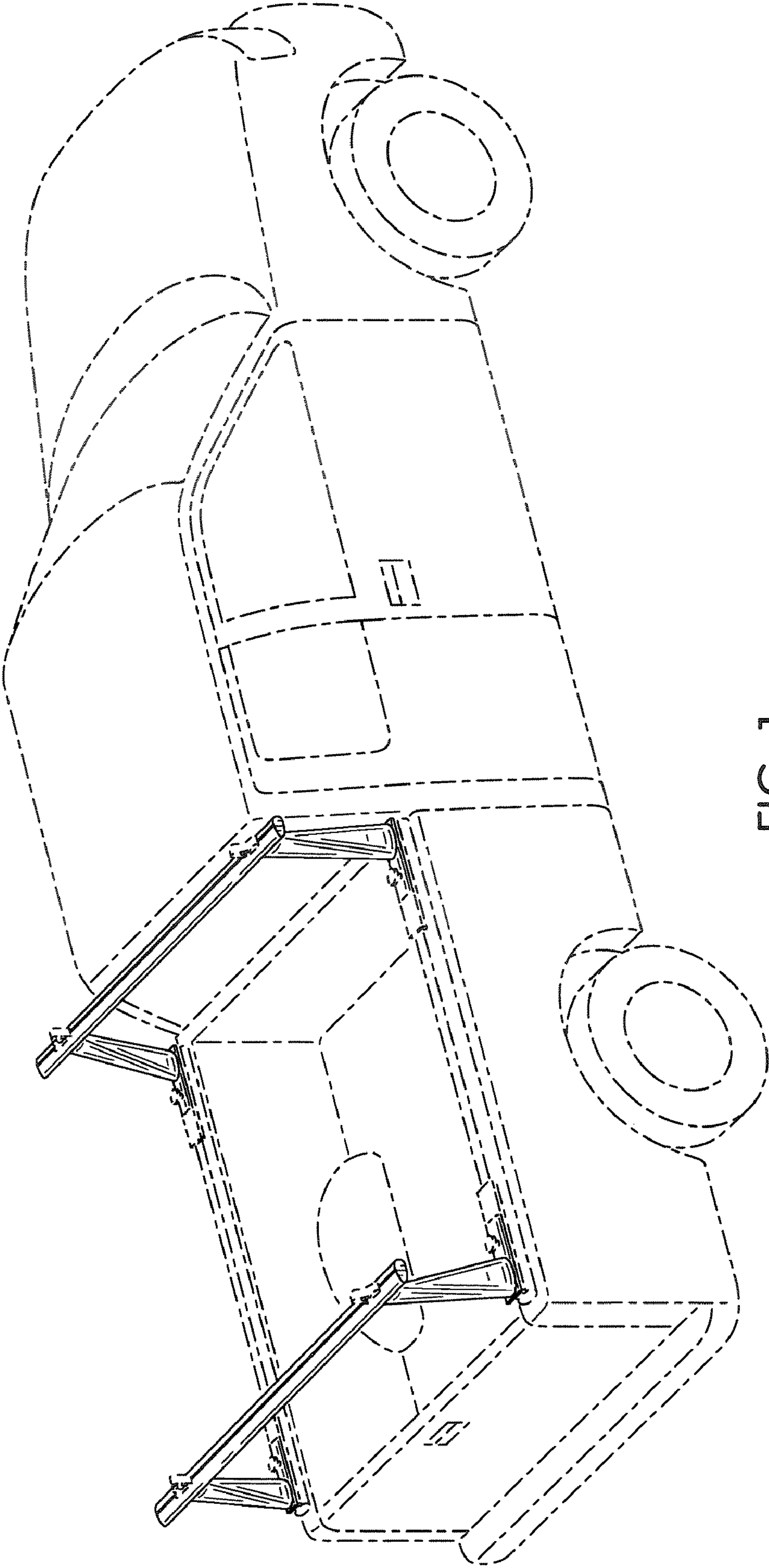


FIG. 1

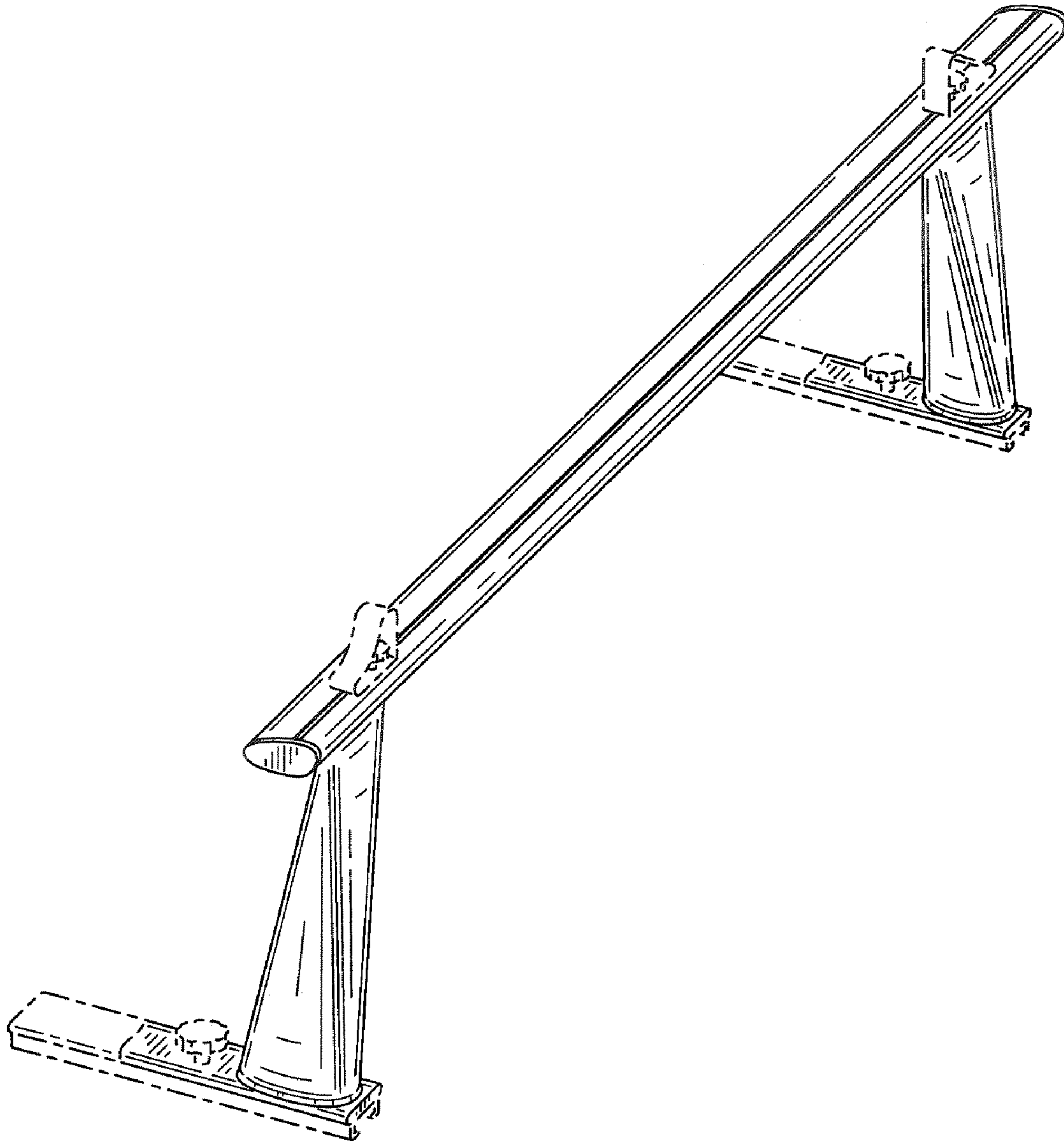


FIG. 2

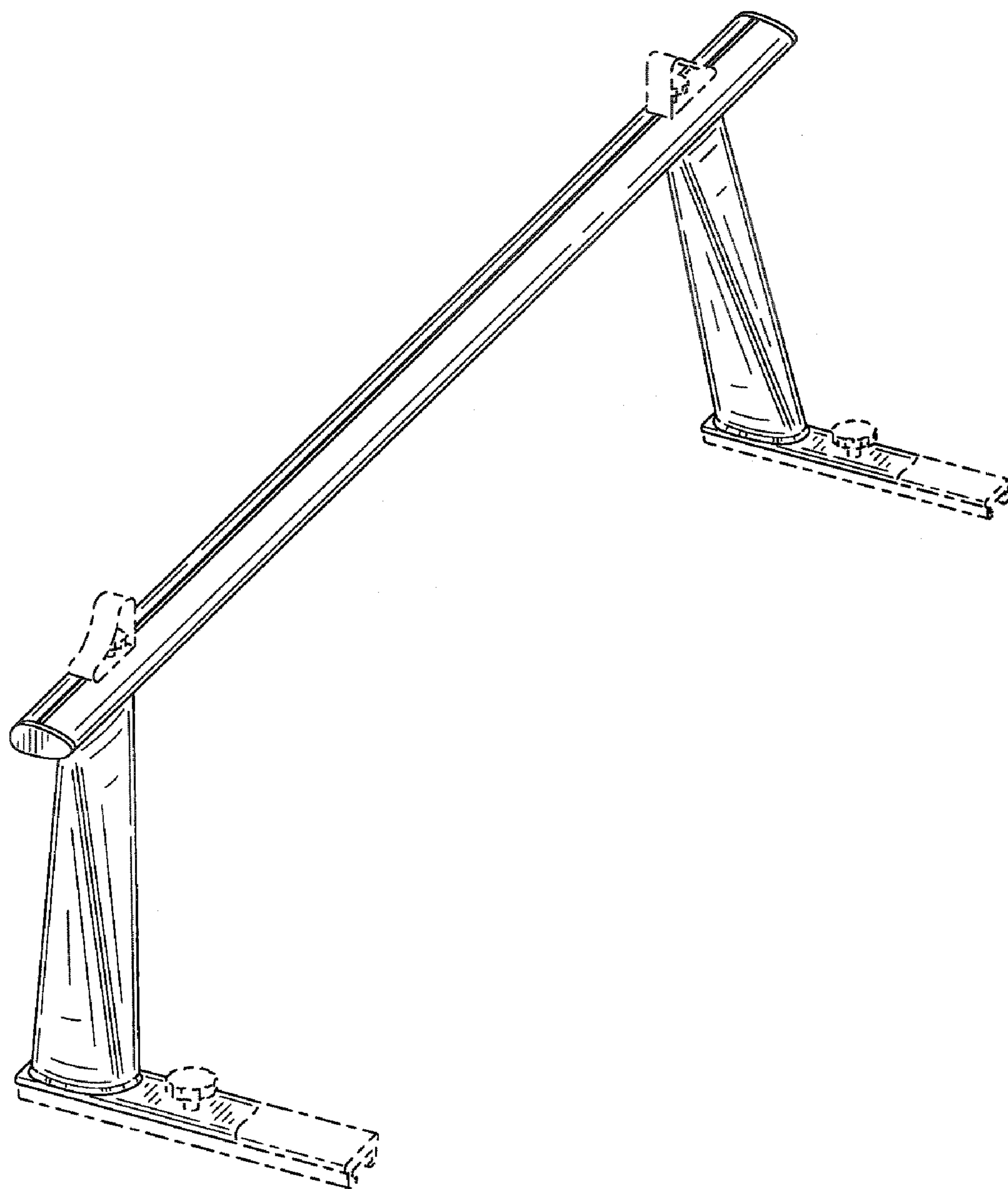


FIG. 3



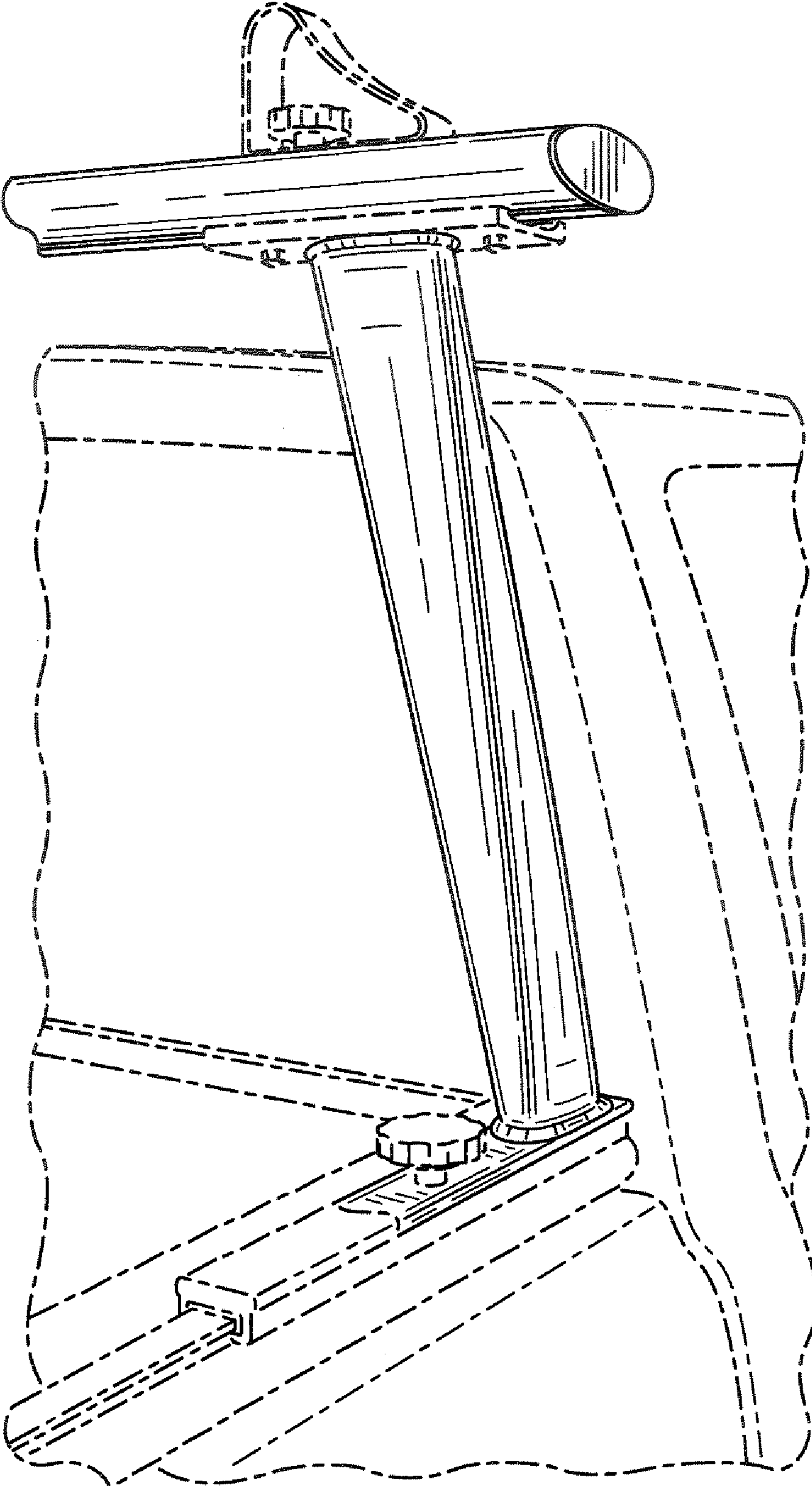


FIG. 4

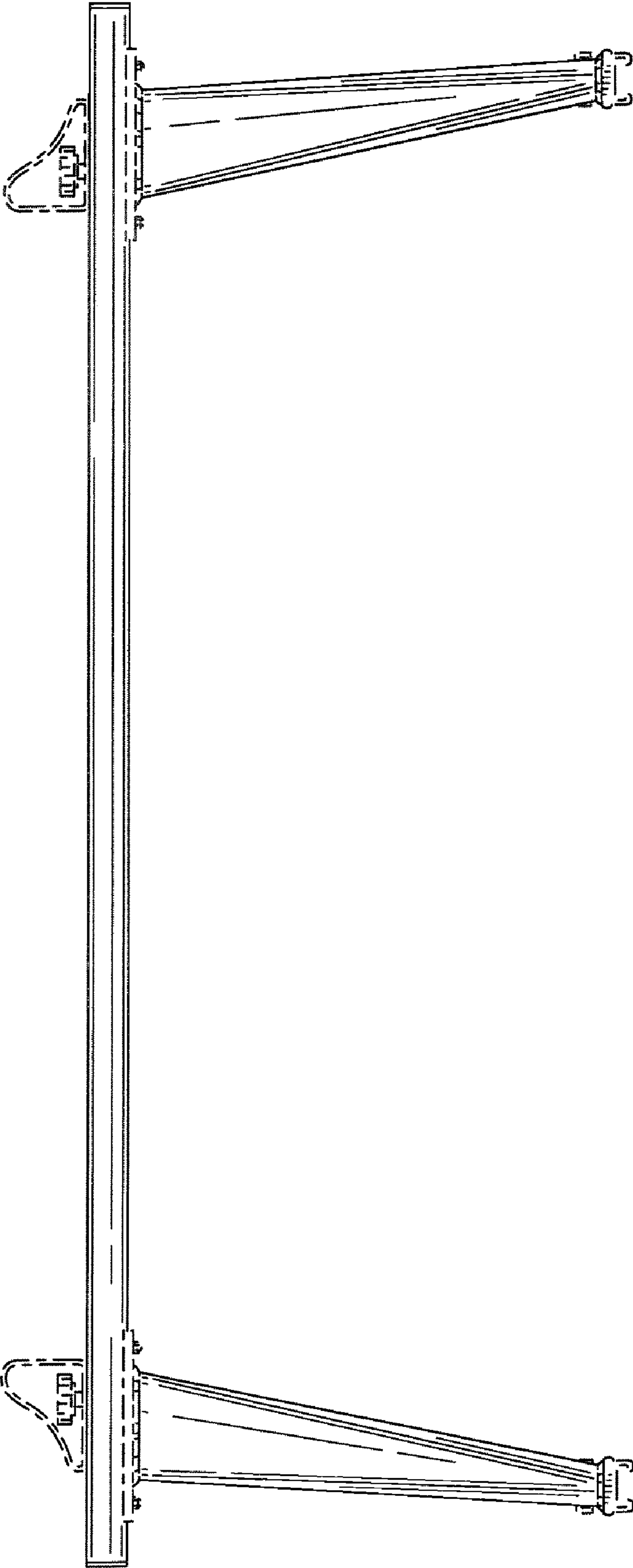


FIG. 5

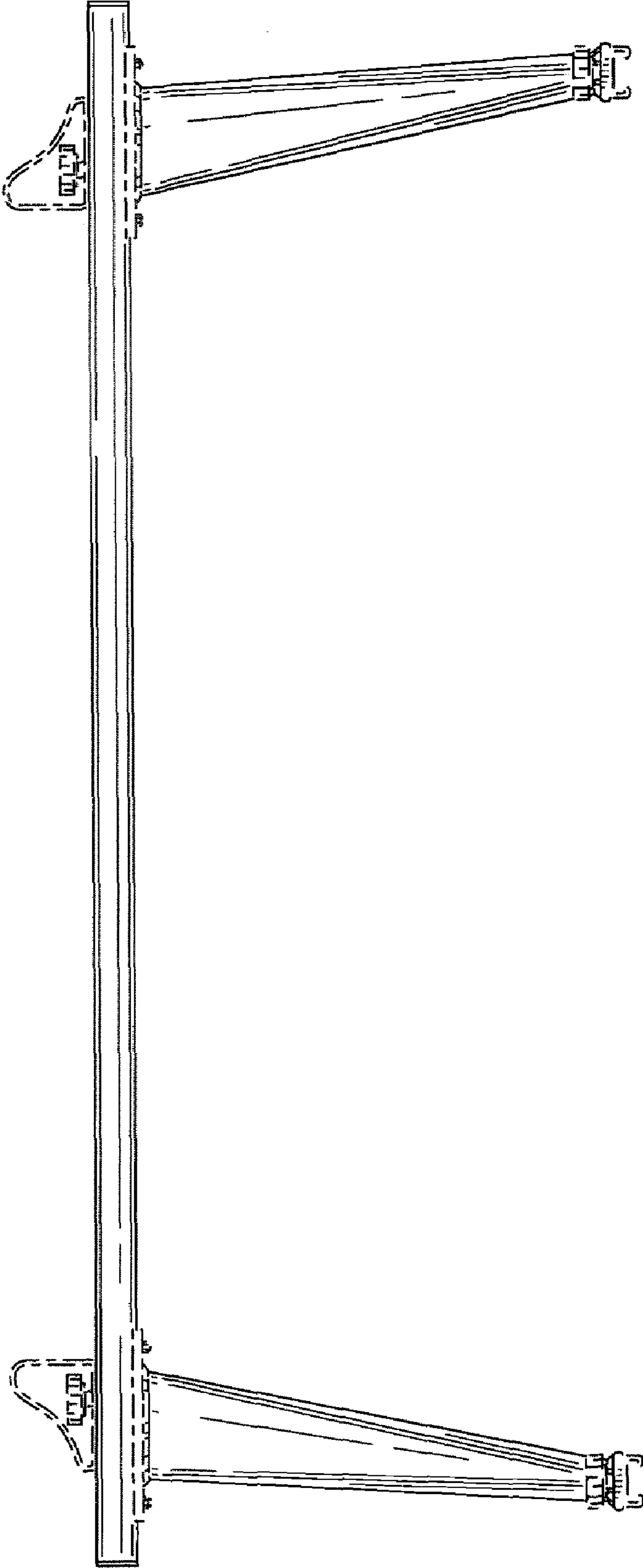


FIG. 6

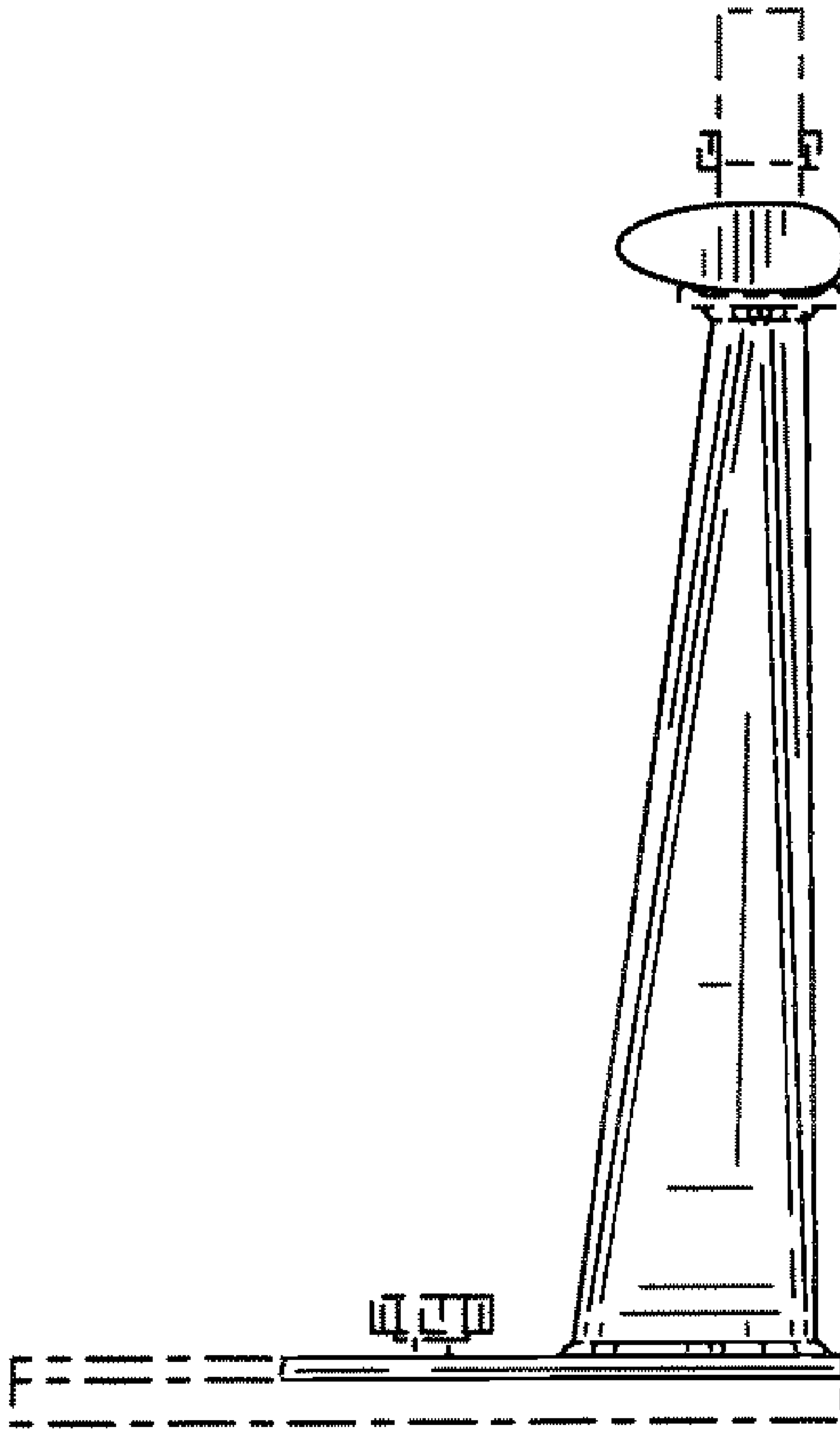


FIG. 7



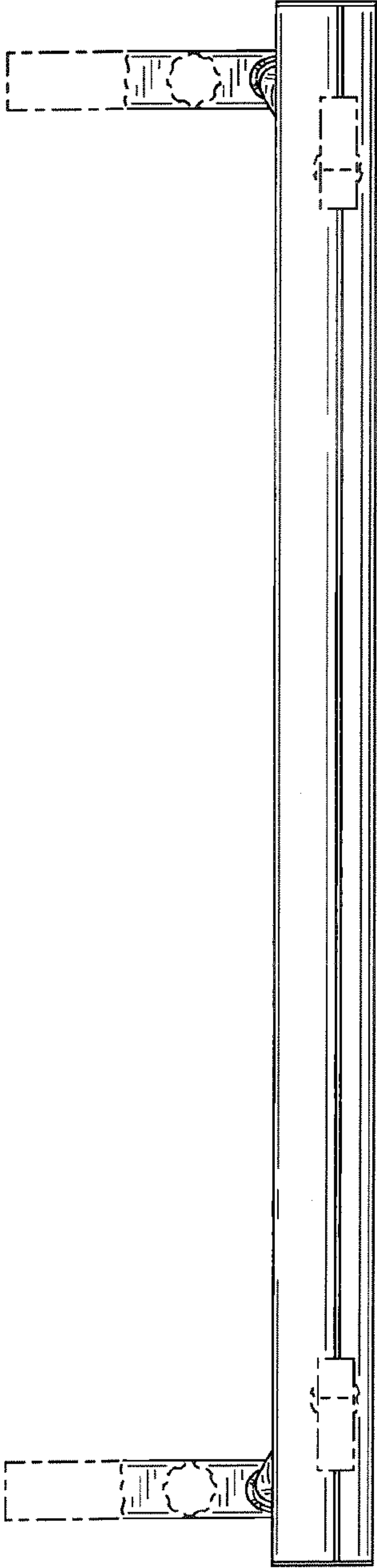


FIG. 8

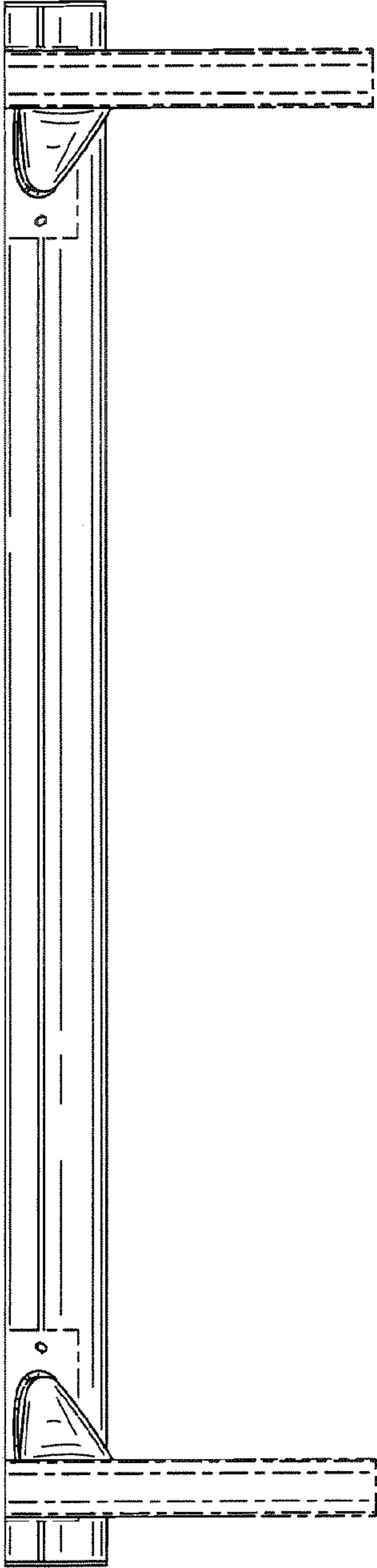


FIG. 9