



US00D582336S

(12) **United States Design Patent**
Van de Rostyne et al.

(10) **Patent No.:** **US D582,336 S**
(45) **Date of Patent:** **** Dec. 9, 2008**

(54) **HELICOPTER BLADE, SHAFTS AND FINS**

1,446,522 A *	2/1923	Smith	416/123
1,773,281 A	8/1930	Scott	
1,800,470 A	4/1931	Oehmichen	
2,030,578 A	2/1936	Flettner	
2,307,381 A	1/1943	Bess	
2,368,698 A	2/1945	Young	
2,384,516 A	9/1945	Young	
2,411,596 A	11/1946	Shapiro	
2,413,831 A	1/1947	Jordan	
2,429,502 A	10/1947	Young	
D149,130 S	3/1948	Katenberter et al.	
2,439,143 A	4/1948	Nemeth	

(75) Inventors: **Alexander Jozef Magdalena Van de Rostyne**, Bornem (BE); **Chi Pok Billy Wai**, Quarry Bay (HK)

(73) Assignee: **Silverlit Toys Manufactory Ltd.**, Hong Kong (HK)

(**) Term: **14 Years**

(21) Appl. No.: **29/297,479**

(22) Filed: **Nov. 12, 2007**

Related U.S. Application Data

(63) Continuation of application No. 29/282,581, filed on Jul. 24, 2007, which is a continuation of application No. 29/277,652, filed on Mar. 5, 2007, now Pat. No. Des. 552,531, and a continuation of application No. 29/280,187, filed on May 18, 2007, now Pat. No. Des. 554,040, which is a continuation of application No. 29/275,322, filed on Dec. 20, 2006, now Pat. No. Des. 546,269, and a continuation of application No. 29/275,323, filed on Dec. 20, 2006, now Pat. No. Des. 544,825, and a continuation of application No. 29/275,324, filed on Dec. 20, 2006, now Pat. No. Des. 545,755, said application No. 29/275,322 is a continuation-in-part of application No. 11/462,177, filed on Aug. 3, 2006, and a continuation-in-part of application No. 11/465,781, filed on Aug. 18, 2006.

(51) **LOC (8) Cl.** **12-07**

(52) **U.S. Cl.** **D12/345**

(58) **Field of Classification Search** D12/326-329, D12/345; D21/441-442, 450, 453; 446/36-45, 446/230, 232; 244/17.11, 17.23, 17.25, 17.19, 244/17.27, 12.4

See application file for complete search history.

(56) **References Cited**

U.S. PATENT DOCUMENTS

1,403,909 A 1/1922 Moir

(Continued)

FOREIGN PATENT DOCUMENTS

BE 338599 12/1926

(Continued)

OTHER PUBLICATIONS

International Search from PCT/US2008/051938.

(Continued)

Primary Examiner—Charles A. Rademaker

Assistant Examiner—Maurice Stevens

(74) *Attorney, Agent, or Firm*—Greenberg Traurig, LLP

(57) **CLAIM**

The ornamental design for helicopter blade, shafts and fins, as shown and described.

DESCRIPTION

FIG. 1 is a perspective side view of helicopter blade, shafts and fins, showing our new design;

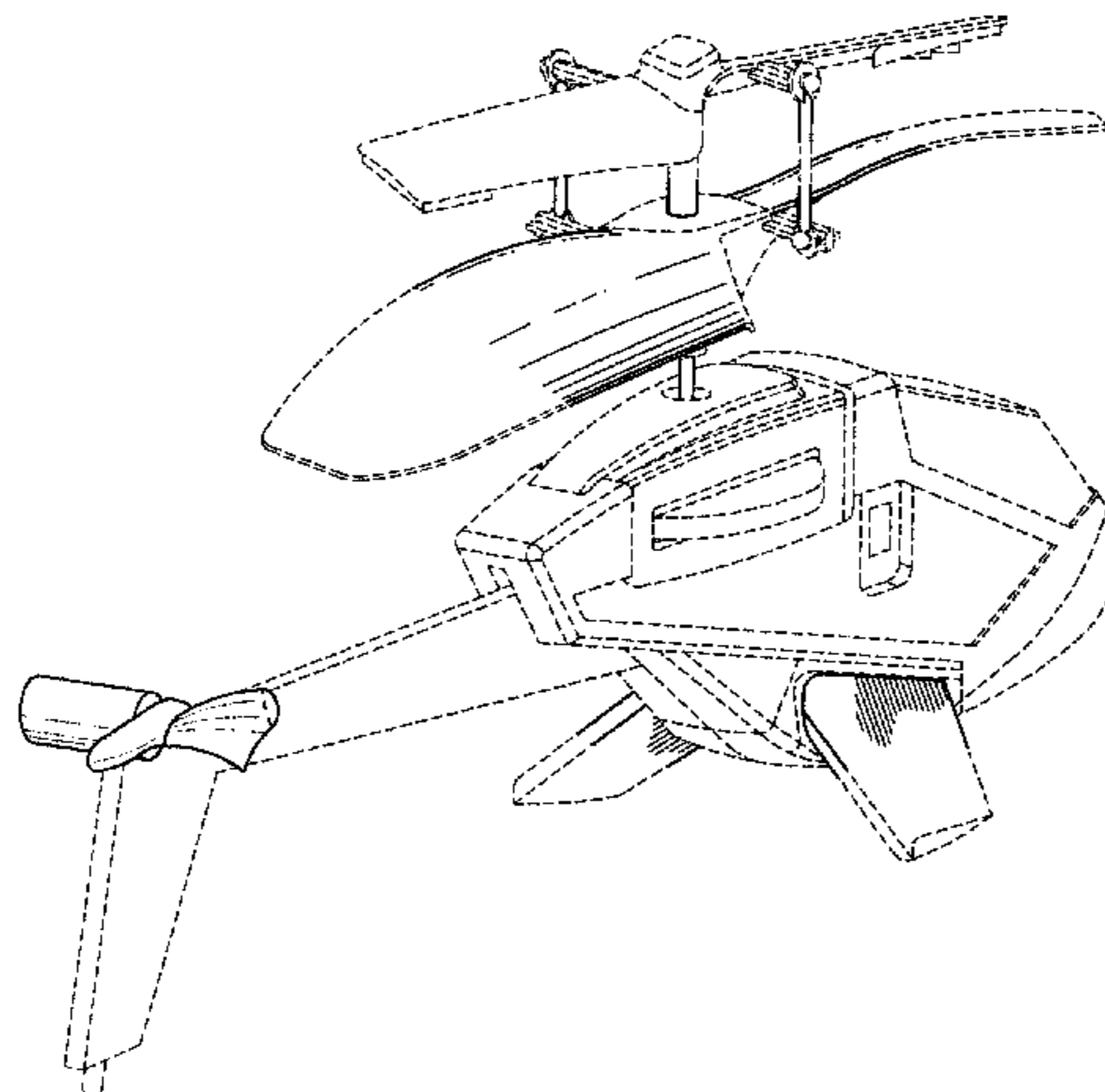
FIG. 2 is an opposite side perspective view thereof;

FIG. 3 is a side view thereof; and,

FIG. 4 is a top view thereof.

The broken lines, shown in the drawings are for illustrative purposes only and form no part of the claimed design.

1 Claim, 4 Drawing Sheets



US D582,336 S

U.S. PATENT DOCUMENTS					
			5,906,476 A	5/1999	Arlton
D153,314 S	4/1949	Piasecki	6,000,911 A	12/1999	Toulmay et al.
D153,315 S	4/1949	Piasecki	D421,279 S	2/2000	Tsai
D153,316 S	4/1949	Piasecki	6,032,899 A	3/2000	Mondet et al.
D153,317 S	4/1949	Piasecki	6,039,541 A	3/2000	Parker et al.
2,469,144 A	5/1949	Baggott	D425,853 S	5/2000	Caporaletti
2,481,750 A	9/1949	Hiller, Jr. et al.	6,302,652 B1	10/2001	Roberts
2,486,059 A *	10/1949	Pentecost 416/115	6,398,618 B1	6/2002	Wu
2,532,683 A	12/1950	Traver	6,435,453 B1 *	8/2002	Carter, Jr. 244/8
D163,938 S	7/1951	Douglas	6,460,802 B1	10/2002	Norris
2,629,568 A	2/1953	Croshere, Jr. et al.	6,467,726 B1	10/2002	Hosoda
2,629,570 A	2/1953	Carnahan	D467,861 S	12/2002	Lee
2,633,924 A	4/1953	Young	6,499,690 B1	12/2002	Katayama et al.
2,646,848 A	7/1953	Young	6,543,726 B2	4/2003	Illingworth
D171,569 S	3/1954	Apostolescu	6,632,119 B2	10/2003	Cherneck et al.
2,725,494 A	11/1955	Anderson	6,659,395 B2	12/2003	Rehkemper et al.
D178,081 S	6/1956	Papadakos	6,659,721 B1	12/2003	Parker et al.
2,750,131 A	6/1956	Thomson	6,702,552 B1	3/2004	Harman
D181,643 S	12/1957	Graham	6,719,244 B1	4/2004	Gress
D187,895 S	5/1960	Douglas	6,732,973 B1	5/2004	Rehkemper
2,950,074 A	8/1960	Apostolescu	6,749,401 B2	6/2004	Vanmoor
3,029,048 A	4/1962	Brooks et al.	6,758,436 B2	7/2004	Rehkemper et al.
3,035,643 A	5/1962	Kelley et al.	6,789,764 B2	9/2004	Bass et al.
3,080,001 A	3/1963	Culver et al.	6,884,034 B1	4/2005	Parker et al.
3,093,929 A	6/1963	Robbins et al.	6,886,777 B2	5/2005	Rock
3,106,964 A	10/1963	Culver et al.	6,929,215 B2	8/2005	Arlton
3,180,424 A	4/1965	Serriades	6,960,112 B2	11/2005	Helmlinger et al.
3,213,944 A	10/1965	Nichols et al.	D524,227 S *	7/2006	Stille et al. D12/327
3,228,478 A	1/1966	Edenborough	D524,228 S *	7/2006	Scott et al. D12/327
3,231,222 A	1/1966	Scheutzow	D524,229 S	7/2006	Stille et al.
3,409,249 A	11/1968	Bergquist et al.	D524,230 S	7/2006	Stille et al.
3,448,810 A	6/1969	Vogt	D524,718 S *	7/2006	Scott et al. D12/327
3,572,616 A	3/1971	Ulisnik	7,100,866 B2	9/2006	Rehkemper et al.
3,592,559 A	7/1971	Ward	7,178,758 B2 *	2/2007	Rehkemper 244/17.11
3,625,631 A	12/1971	Covington, Jr. et al.	7,198,223 B2	4/2007	Phelps, III et al.
3,771,924 A	11/1973	Buchstaller	7,204,453 B2	4/2007	Muren
D232,168 S	7/1974	Leoni	D544,825 S	6/2007	Van de Rostyne et al.
D232,170 S	7/1974	Diamond et al.	D545,735 S *	7/2007	Angelo et al. D12/173
D234,350 S	2/1975	Beckert et al.	D545,755 S	7/2007	Van de Rostyne et al.
3,933,324 A	1/1976	Ostrowski	D546,269 S	7/2007	Van de Rostyne et al.
D239,930 S	5/1976	Ulisnik	D548,803 S	8/2007	Zimet
4,025,230 A	5/1977	Kastan	7,264,199 B2	9/2007	Zientek
4,053,123 A	10/1977	Chadwick	D552,531 S	10/2007	Van de Rostyne et al.
4,073,086 A	2/1978	Ogawa	D554,040 S	10/2007	Van de Rostyne et al.
4,118,143 A	10/1978	Kavan	7,306,186 B2	12/2007	Kusic
4,142,697 A	3/1979	Fradenburgh	D559,764 S	1/2008	Wai
D253,003 S	9/1979	Tanaka	D561,084 S	2/2008	Wai
4,227,856 A	10/1980	Verrill et al.	D561,679 S	2/2008	Wai
4,307,533 A	12/1981	Sims et al.	2002/0008759 A1	1/2002	Hoyos
4,519,746 A	5/1985	Wainauski et al.	2002/0109044 A1	8/2002	Rock
4,522,563 A	6/1985	Reyes et al.	2002/0134883 A1	9/2002	Stamps et al.
4,629,440 A	12/1986	McKittrick et al.	2004/0087241 A1	5/2004	Agostini et al.
D294,605 S	3/1988	Matsumoto	2004/0184915 A1	9/2004	Kunii et al.
5,015,187 A	5/1991	Lord	2004/0222329 A1	11/2004	Kuhns et al.
5,108,043 A *	4/1992	Canavespe 244/17.11	2004/0245376 A1	12/2004	Muren
5,151,014 A	9/1992	Greenwald et al.	2005/0121553 A1	6/2005	Isawa et al.
5,209,429 A *	5/1993	Doolin et al. 244/17.11	2006/0102777 A1	5/2006	Rock
5,240,204 A	8/1993	Kunz	2006/0121819 A1	6/2006	Isawa
5,255,871 A	10/1993	Ikeda	2006/0231677 A1	10/2006	Zimet et al.
5,259,729 A	11/1993	Fujihira et al.	2007/0012818 A1	1/2007	Miyazawa et al.
5,370,341 A *	12/1994	Leon 244/17.11	2007/0105475 A1	5/2007	Gotou et al.
D357,894 S	5/1995	Arnold et al.	2007/0164148 A1	7/2007	Van de Rostyne
5,511,947 A	4/1996	Schmuck	2007/0164149 A1	7/2007	Van de Rostyne
D372,741 S	8/1996	Tsai	2007/0164150 A1	7/2007	Van de Rostyne
D378,606 S	3/1997	Tamagnini	2007/0178798 A1	8/2007	Lai
5,609,312 A	3/1997	Arlton et al.	2007/0181742 A1	8/2007	Van de Rostyne et al.
5,628,620 A	5/1997	Arlton	2007/0187549 A1	8/2007	Owen
D388,048 S	12/1997	Taylor et al.	2007/0215750 A1	9/2007	Shantz et al.
D390,942 S	2/1998	Mei	2007/0221781 A1	9/2007	Van de Rostyne
5,749,540 A	5/1998	Arlton	2007/0261197 A1	11/2007	Phelps et al.
5,836,545 A	11/1998	Arlton et al.	2007/0272794 A1	11/2007	Van de Rostyne
5,879,131 A	3/1999	Arlton et al.	2008/0076319 A1	3/2008	Van de Rostyne
			2008/0076320 A1	3/2008	Van de Rostyne

2008/0085653 A1 4/2008 Van de Rostyne
 2008/0111399 A1 5/2008 Zierten
 2008/0112808 A1 5/2008 Schamaling et al.

FOREIGN PATENT DOCUMENTS

BE	1016960	11/2007
DE	1 270 408	6/1968
DE	40 17 402 A2	12/1991
DE	94 14 652 U1	11/1994
EP	0 250 135	12/1987
EP	0 757 350	8/1996
ES	P0233821	8/1957
ES	P0234258	9/1957
ES	P0245313	4/1959
ES	P0283794	1/1963
ES	490715	4/1980
ES	275141	7/1982
ES	0298826	1/1989
ES	0464158	1/1992
ES	2 074 010	8/1995
ES	0727350	8/1996
ES	2 172 362	9/2002
ES	1238185	9/2002
ES	1462362	9/2004
GB	255936	7/1926
GB	272871	5/1927
GB	916894 A	1/1963
GB	956536	4/1964
GB	958536	5/1964
GB	1081341 A	8/1967
GB	2 436 258 A	9/2007
JP	S30-7668	10/1930
JP	S32-003535	6/1932
JP	1269699	10/1989
JP	5192452	8/1993
JP	9048398	2/1997
JP	9512515	12/1997
JP	10076996	3/1998
JP	2000-272594	10/2000
JP	2003-103066	4/2003
JP	2003-220999	8/2003
JP	2004-121798	4/2004
JP	2005-193905	7/2005
JP	2006-051217	2/2006
WO	WO2006/075096	7/2006

OTHER PUBLICATIONS

Selberg, B.P.; Cronin, D.L.; Rokhsaz, K.; Dykman, J.R., Yager, C. J. "Aerodynamic-Structural Analysis of Dual Bladed Helicopter Systems (Field Technical Report", Report No. NASA-CR-162754, Feb. 1980 46p (Abstract).

Ham, Normand. Helicopter individual-blade-control research at MIT 1977-1985; DGLR, European Rotorcraft Forum, 12th, Garmisch-Partenkirchen, West Germany; Germany, Federal Republic of; Sep. 22-25, 1986 10 pp. 1986 (Abstract).

Proctor, Paul. "Aviation Week & Space Technology", v146, n13, p. 47(1), Mar. 31, 1997.

Zein-Sabatto, S.; Zheng, Y. "Intelligent Flight Controllers for Helicopter Control"; 1997 IEEE International Conference on Neural Networks, Proceedings (Cat. No. 97CH36109) Part vol. 2 p. 617-21 vol. 2 (Abstract).

Mirick, Paul H. "A Comparison of Theory and Experiment for Coupled Rotor Body Stability of a Bearingless Rotor Model in Hover and Forward Flight", Jun. 1, 1988, IP Document Id 19880017770 pp. 87-101.(Abstract).

US District Court, Eastern District of Virginia, Norfolk Division, *Silverlit Toys Manufactory, Ltd., et al. v. Westminster, Inc., et al.*, Case No. 2:07-cv-472-JBF/JEB.

US District Court, Northern District of Georgia, Atlanta Division, *Westminster, Inc., et al. v. Silverlit Toys Manufactory, Ltd., et al.* Case No. 1:07-cv-2450-JOF.

US District Court, Central District of California, Southern Division, *Innovage LLC v. Silverlit Toys Manufactory, Ltd., et al.* Case No. SACV07-1334 DOC (ANx).

"Declaration of Alexander Van De Rostyne in Support of Defendants and Counterclaimants Silverlit Toys Manufactory Ltd.'s and Spin Master Ltd.'s Motion for Preliminary Injunction", with relevant Exhibits A, C and E-Q, filed on Dec. 3, 2007, in USDC Case No. SACV07-1334 DOC (ANx).

"Declaration of Kei Fung ("Kevin") Choi in Support of Defendants and Counterclaimants' Motion for Preliminary Injunction", with relevant Exhibits A, C and E, filed on Dec. 3, 2007, in USDC Case No. SACV07-1334 DOC (ANx).

"Declaration of L. Kenneth Rosenthal in Support of Counterclaimants Silverlit Toys Manufactory Ltd.'s and Spin Master Ltd.'s Motion for Preliminary Injunction", with relevant Exhibits O, P, S, V, Y, BB, MM and NN, filed on Dec. 3, 2007, in USDC Case No. SACV07-1334 DOC (ANx).

"Memorandum of Points and Authorities in Support of Motion for Preliminary Injunction of Silverlit Manufactory Ltd. and Spin Master Ltd.", filed on Dec. 3, 2007, in USDC Case No. SACV07-1334 DOC (ANx).

"Declaration of Valerie W. Ho in Support of Defendants and Counterclaimants' Motion for Preliminary Injunction", with relevant Exhibits A, B and M, filed on Dec. 3, 2007, in USDC Case No. SACV07-1334 DOC (ANx).

"Declaration of Conor Forkan in Support of Counterclaimants Silverlit Toys Manufactory Ltd.'s and Spin Master Ltd.'s Reply to Innovage's Opposition to Motion for Preliminary Injunction", with relevant Exhibits A-D, filed on Dec. 26, 2007, in USDC Case No. SACV07-1334 DOC (ANx).

"Declaration of L. Kenneth Rosenthal in Support of Counterclaimants Silverlit Toys Manufactory Ltd.'s and Spin Master Ltd.'s Reply to Innovage's Opposition to Motion for Preliminary Injunction", with relevant Exhibits A-D, filed on Dec. 26, 2007, in USDC Case No. SACV07-1334 DOC (ANx).

"Counterclaimants Silverlit Toys Manufactory Ltd.'s and Spin Master Ltd.'s Reply in Support of Motion for Preliminary Injunction", filed on Dec. 26, 2007, in USDC Case No. SACV07-1334 DOC (ANx).

"Innovage's Memorandum of Points and Authorities in Opposition to Silverlit and Spin Master's Preliminary Injunction", filed on Dec. 19, 2007, in USDC Case No. SACV07-1334 DOC (ANx).

"Declaration of Francisco Rubio-Campos in Support of Plaintiff Innovage LLC's Opposition to Silverlit and Spin Master's Motion for Preliminary Injunction", filed on Dec. 19, 2007, in USDC Case No. SACV07-1334 DOC (ANx).

"Declaration of Jennifer Hamilton in Support of Plaintiff Innovage LLC's Opposition to Silverlit and Spin Master's Motion for Preliminary Injunction", filed on Dec. 19, 2007, in USDC Case No. SACV07-1334 DOC (ANx).

"Counterclaim Defendant Merchsource's Opposition to Preliminary Injunction", filed on Dec. 19, 2007, in USDC Case No. SACV07-1334 DOC (ANx).

"Declaration of Lowell Anderson in Opposition to Preliminary Injunction", filed on Dec. 19, 2007, in USDC Case No. SACV07-1334 DOC (ANx).

"Supplemental Declaration of Francisco Rubio-Campos in Support of Plaintiff Innovage LLC's Opposition to Silverlit and Spin Master's Motion for Preliminary Injunction", filed on Jan. 4, 2008, in USDC Case No. SACV07-1334 DOC (ANx).

"Declaration of Nicholas Ringold in Support of Defendants and Counterclaimants' Reply to Merchsource LLC's Opposition to Ex Parte Application to Shorten Time for Hearing on Preliminary Injunction", with relevant Exhibits B-I, filed on Dec. 5, 2007, in USDC Case No. SACV07-1334 DOC (ANx).

"Declaration of Kei Fung ("Kevin") Choi in Support of Defendants and Counterclaimants' Reply to Merchsource LLC's Opposition to Ex Parte Application to Shorten Time for Hearing on Preliminary Injunction", with Exhibit A, filed on Dec. 6, 2007, in USDC Case No. SACV07-1334 DOC (ANx).

"Counterclaimants Silverlit Toys Manufactory Ltd.'s and Spin Master's Reply to Merchsource LLC's Opposition to Ex Parte Applica-

tion to Shorten Time on Hearing on Motion for Preliminary Injunction”, filed on Dec. 6, 2007, in USDC Case No. SACV07-1334 DOC (ANx).

“Counterclaimants Silverlit Toys Manufactory Ltd.’s and Spin Master’s 1) Reply to Innovage LLC’s Opposition to Ex Parte Application to Shorten Time on Hearing on Motion for Preliminary Injunction, and 2) Opposition to Innovage LLC’s Ex Parte Application for Order to Extend Time to Oppose Motion for Preliminary Injunction”, filed on Dec. 5, 2007, in USDC Case No. SACV07-1334 DOC (ANx).

“Declaration of Lowell Anderson in Opposition to Ex Parte Application to Shorten Time for Hearing on Preliminary Injunction”, filed on Dec. 4, 2007, in USDC Case No. SACV07-1334 DOC (ANx).

“Counterclaim Defendant Merchsource’s Opposition to Ex Parte Application to Shorten Time for Hearing on Motion for Preliminary Injunction”, filed on Dec. 4, 2007, in USDC Case No. SACV07-1334 DOC (ANx).

“Plaintiff Innovage LLC’s Opposition to Defendant Silverlit and Spin Master’s Ex Parte Application for Order to Shorten Time for Hearing on Defendants’ Motion for Preliminary Injunction; Declaration of Barry Messner in Support”, filed on Dec. 4, 2007, in USDC Case No. SACV07-1334 DOC (ANx).

“Plaintiff Innovage LLC’s Ex Parte Application for Order to Extend Time to Oppose Defendants’ Motion for Preliminary Injunction; Memorandum of Points and Authorities; Declaration of Barry Messner”, filed on Dec. 4, 2007, in USDC Case No. SACV07-1334 DOC (ANx).

“Amended Answer, Affirmative Defenses and Counterclaims for: (1) Patent Infringement; (2) Trade Dress Infringement; (3) Unfair Competition and False Designation of Origin; (4) Unfair Competition Under California Business & Professions Codes § 17200; and (5) Copyright Infringement”, filed on Dec. 11, 2007, in USDC Case No. SACV07-1334 DOC (ANx).

“Innovage’s Reply in Opposition of Silverlit and Spin Master to Plaintiff Innovage LLC’s Ex Parte Application for Order to Extend Time to Oppose Defendants’ Motion for Preliminary Injunction”, filed on Dec. 7, 2007, in USDC Case No. SACV07-1334 DOC (ANx).

“Counterclaim Defendant Innovage LLC’s Amended Reply and Affirmative Defenses to Counterclaims of Silverlit Toys Manufactory Ltd. and Spin Master Ltd.”, filed on Jan. 9, 2008, in USDC Case No. SACV07-1334 DOC (ANx).

“Order Denying Defendants’ Motion for Preliminary Injunction”, filed on Jan. 8, 2008, in USDC Case No. SACV07-1334 DOC (ANx).

“Counterclaimants Silverlit Toys Manufactory Ltd.’s and Spin Master’s Ltd.’s Objection and Motion to Strike Plaintiff Innovage LLC’s Belated Supplemental Declaration of Francisco Rubio-Campos”, filed on Jan. 4, 2008, in USDC Case No. SACV07-1334 DOC (ANx).

“Supplemental Declaration of Francisco Rubio-Campos in Support of Plaintiff Innovage LLC’s Opposition to Silverlit and Spin Master’s for Preliminary Injunction”, filed on Jan. 4, 2008, in USDC Case No. SACV07-1334 DOC (ANx).

“Counterclaim Defendant Innovage LLC’s Reply and Affirmative Defenses to Counterclaims of Silverlit Toys Manufactory Ltd. and Spin Master Ltd.”, filed on Dec. 26, 2007, in USDC Case No. SACV07-1334 DOC (ANx).

“Counterclaim Defendant Merchsource LLC’s Answer and Defenses to Counterclaims of Silverlit Toys Manufactory Ltd. and Spin Master Ltd.”, filed on Dec. 26, 2007, in USDC Case No. SACV07-1334 DOC (ANx).

“Answer, Affirmative Defenses to Counterclaims for: (1) Patent Infringement; (2) Trade Dress Infringement; (3) Unfair Competition and False Designation of Origin; and (4) Unfair Competition Under California Business & Professions Code § 17200”, with Exhibits E & F, filed on Dec. 3, 2007, in USDC Case No. SACV07-1334 DOC (ANx).

“Complaint for: 1) Declaratory Judgment of Invalidity and Non-Infringement of Certain Design Patents; 2) Declaratory Judgment of Invalidity and Non-Infringement of Trade Dress”, filed on Nov. 13, 2007, in USDC Case No. SACV07-1334 DOC (ANx).

U.S. Appl. No. 11/953,823, filed Dec. 10, 2007, Van de Rostyne.

U.S. Appl. No. 11/953,826, filed Dec. 10, 2007, Van de Rostyne.

U.S. Appl. No. 11/953,830, filed Dec. 10, 2007, Van de Rostyne.

U.S. Appl. No. 29/282,581, filed Jul. 24, 2007, Van de Rostyne et al.

U.S. Appl. No. 29/283,934, filed Aug. 27, 2007, Van de Rostyne et al.

U.S. Appl. No. 29/297,478, filed Nov. 12, 2007, Van de Rostyne et al.

U.S. Appl. No. 29/297,765, filed Nov. 16, 2007, Van de Rostyne et al.

U.S. Appl. No. 29/302,018, filed Jan. 1, 2008, Van de Rostyne et al.

U.S. Appl. No. 29/302,020, filed Jan. 1, 2008, Van de Rostyne et al.

“Declaration of Alexander Van De Rostyne in Support of Defendants and Counterclaimants Silverlit Toys Manufactory Ltd.’s and Spin Master Ltd.’s Motion for Preliminary Injunction”, with relevant Exhibits A, C and E-Q, filed on Dec. 3, 2007, in USDC Case No. SACV07-1334 DOC (ANx).

“Declaration of Kei Fung (“Kevin”) Choi in Support of Defendants and Counterclaimants’ Motion for Preliminary Injunction”, with relevant Exhibits A, C, and E, filed on Dec. 3, 2007, in USDC Case No. SACV07-1334 DOC (ANx).

“Declaration of L. Kenneth Rosenthal in Support of Counterclaimants Silverlit Toys Manufactory Ltd.’s and Spin Master Ltd.’s Motion for Preliminary Injunction”, with relevant Exhibits O, P, S, V, Y, BB, MM and NN, filed on Dec. 3, 2007, in USDC Case No. SACV07-1334 DOC (ANx).

“Memorandum of Points and Authorities in Support of Motion for Preliminary Injunction of Silverlit Manufactory Ltd. and Spin Master Ltd.”, filed on Dec. 3, 2007, in USDC Case No. SACV07-1334 DOC (ANx).

“Declaration of Valerie W. Ho in Support of Defendants and Counterclaimants’ Motion for Preliminary Injunction”, with relevant Exhibits A, B and M, filed on Dec. 3, 2007, in USDC Case No. SACV07-1334 DOC (ANx).

“Declaration of Conor Forkan in Support of Counterclaimants Silverlit Toys Manufactory Ltd.’s and Spin Master Ltd.’s Reply to Innovage’s Opposition to Motion for Preliminary Injunction”, with relevant Exhibits A-D, filed on Dec. 26, 2007, in USDC Case No. SACV07-1334 DOC (ANx).

“Declaration of L. Kenneth Rosenthal in Support of Counterclaimants Silverlit Toys Manufactory Ltd.’s and Spin Master Ltd.’s Reply to Innovage’s Opposition to Motion for Preliminary Injunction”, with relevant Exhibits A-D, filed on Dec. 26, 2007, in USDC Case No. SACV07-1334 DOC (ANx).

“Counterclaimants Silverlit Toys Manufactory Ltd.’s and Spin Master Ltd.’s Reply in Support of Motion for Preliminary Injunction”, filed on Dec. 26, 2007, in USDC Case No. SACV07-1334 DOC (ANx).

“Innovage’s Memorandum of Points and Authorities in Opposition to Silverlit and Spin Master’s Preliminary Injunction”, filed on Dec. 19, 2007, in USDC Case No. SACV07-1334 DOC (ANx).

“Declaration of Francisco Rubio-Campos in Support of Plaintiff Innovage LLC’s Opposition to Silverlit and Spin Master’s Motion for Preliminary Injunction”, filed on Dec. 19, 2007, in USDC Case No. SACV07-1334 DOC (ANx).

“Declaration of Jennifer Hamilton in Support of Plaintiff Innovage LLC’s Opposition to Silverlit and Spin Master’s Motion for Preliminary Injunction”, filed on Dec. 19, 2007, in USDC Case No. SACV07-1334 DOC (ANx).

“Counterclaim Defendant Merchsource’s Opposition to Preliminary Injunction”, filed on Dec. 19, 2007, in USDC Case No. SACV07-1334 DOC (ANx).

“Declaration of Lowell Anderson in Opposition to Preliminary Injunction”, filed on Dec. 19, 2007, in USDC Case No. SACV07-1334 DOC (ANx).

“Supplemental Declaration of Francisco Rubio-Campos in Support of Plaintiff Innovage LLC’s Opposition to Silverlit and Spin Master’s Motion for Preliminary Injunction”, filed on Jan. 4, 2008, in USDC Case No. SACV07-1334 DOC (ANx).

“Declaration of Nicholas Ringold in Support of Defendants and Counterclaimants’ Reply to Merchsource LLC’s Opposition to Ex Parte Application to Shorten Time for Hearing on Preliminary Injunction”, with relevant Exhibits B-I, filed on Dec. 5, 2007, in USDC Case No. SACV07-1334 DOC (ANx).

“Declaration of Kei Fung (“Kevin”) Choi in Support of Defendants and Counterclaimants’ Reply to Merchsource LLC’s Opposition to Ex Parte Application to Shorten Time for Hearing on Preliminary Injunction”, with Exhibit A, filed on Dec. 6, 2007, in USDC Case No. SACV07-1334 DOC (ANx).

“Counterclaimants Silverlit Toys Manufactory Ltd.’s and Spin Master’s Reply to Merchsource LLC’s Opposition to Ex Parte Application to Shorten Time on Motion for Hearing on Preliminary Injunction”, filed on Dec. 6, 2007, in USDC Case No. SACV07-1334 DOC (ANx).

“Counterclaimants Silverlit Toys Manufactory Ltd.’s and Spin Master’s 1) Reply to Innovage LLC’s Opposition to Ex Parte Application to Shorten Time Hearing on Motion for Preliminary Injunction, and 2) Opposition to Innovage LLC’s Ex Parte Application for Order to Extend Time to Oppose Motion for Preliminary Injunction”, filed on Dec. 5, 2007, in USDC Case No. SACV07-1334 DOC (ANx).

“Declaration of Lowell Anderson in Opposition to Ex Parte Application to Shorten Time for Hearing on Preliminary Injunction”, filed on Dec. 4, 2007, in USDC Case No. SACV07-1334 DOC (ANx).

“Counterclaim Defendant Merchsource’s Opposition to Ex Parte Application to Shorten Time for Hearing on Motion for Preliminary Injunction”, filed on Dec. 4, 2007, in USDC Case No. SACV07-1334 DOC (ANx).

“Plaintiff Innovage LLC’s Opposition to Defendant Silverlit and Spin Master’s Ex Parte Application for Order to Shorten Time for Hearing on Defendants’ Motion for Preliminary Injunction; Declaration of Barry Messner in Support”, filed on Dec. 4, 2007, in USDC Case No. SACV07-1334 DOC (ANx).

“Plaintiff Innovage LLC’s Ex Parte Application for Order to Extend Time to Oppose Defendants’ Motion for Preliminary Injunction; Memorandum of Points and Authorities; Declaration of Barry Messner”, filed on Dec. 4, 2007, in USDC Case No. SACV07-1334 DOC (ANx).

“Amended Answer, Affirmative Defenses and Counterclaims for: (1) Patent Infringement; (2) Trade Dress Infringement; (3) Unfair Competition and False Designation of Origin; (4) Unfair Competition Under California Business & Professions Codes § 17200; and (5) Copyright Infringement”, filed on Dec. 11, 2007, in USDC Case No. SACV07-1334 DOC (ANx).

“Innovage’s Reply in Opposition of Silverlit and Spin Master to Plaintiff Innovage LLC’s Ex Parte Application for Order to Extend Time to Oppose Defendants’ Motion for Preliminary Injunction”, filed on Dec. 7, 2007, in USDC Case No. SACV07-1334 DOC (ANx).

“Counterclaim Defendant Innovage LLC’s Amended Reply and Affirmative Defenses to Counterclaims of Silverlit Toys Manufactory Ltd. and Spin Master Ltd.”, filed on Jan. 9, 2008, in USDC Case No. SACV07-1334 DOC (ANx).

“Order Denying Defendants’ Motion for Preliminary Injunction”, filed on Jan. 8, 2008, in USDC Case No. SACV07-1334 DOC (ANx).

“Counterclaimants Silverlit Toys Manufactory Ltd.’s and Spin Master’s Ltd.’s Objection and Motion to Strike Plaintiff Innovage LLC’s Belated Supplemental Declaration of Francisco Rubio-Campos”, filed on Jan. 4, 2008, in USDC Case No. SACV07-1334 DOC (ANx).

“Supplemental Declaration of Francisco Rubio-Campos in Support of Plaintiff Innovage LLC’s Opposition to Silverlit ad Spin Master’s for Preliminary Injunction”, filed on Jan. 4, 2008, in USDC Case No. SACV07-1334 DOC (ANx).

“Counterclaim Defendant Innovage LLC’s Reply and Affirmative Defenses to Counterclaims of Silverlit Toys Manufactory Ltd. and Spin Master Ltd.”, filed on Dec. 26, 2007, in USDC Case No. SACV07-1334 DOC (ANx).

“Counterclaim Defendant Merchsource LLC’s Answer and Defenses to Counterclaims of Silverlit Toys Manufactory Ltd. and Spin Master Ltd.”, filed on Dec. 26, 2007, in USDC Case No. SACV07-1334 DOC (ANx).

“Answer, Affirmative Defenses and Counterclaims for: (1) Patent Infringement; (2) Trade Dress Infringement; (3) Unfair Competition and False Designation of Origin; and (4) Unfair Competition Under California Business & Professions Code § 17200”, with Exhibits E & F, filed on Dec. 3, 2007, in USDC Case No. SACV07-1334 DOC (ANx).

“Complaint for: 1) Declaratory Judgment of Invalidity and Non-Infringement of Certain Design Patents; 2) Declaratory Judgment of Invalidity and Non-Infringement of Trade Dress”, filed on Nov. 13, 2007, in USDC Case No. SACV07-1334 DOC (ANx).

Photographic prior art reference #1, helicopter.

Photographic prior art reference #2, helicopter displaying writing in French on the tail.

Photographic prior art reference #3, explanation of the function of the flybar.

Photographic prior art reference #4, toy helicopter, www.raidentech.com.

Photographic prior art reference #5, helicopter.

Photographic prior art reference #6, helicopter.

Photographic prior art reference #7, helicopter with M40297 or MA0297 displayed on the tail.

Photographic prior art reference #8, helicopter #AHS-23900, hstoy.en.alibaba.com.

Photographic prior art reference #9, toy helicopter, toys999.en.alibaba.com.

Mill, Colin. “Practical Theories, Part 9”, W3MH—World Wide Web *Model Helicopter Magazine*, Jul. 1996, <http://www.w3mh.co.uk/articles/html/csm9-11.htm>.

Day, David. “Moving swashplates & CCPM”, 2001-2006. See <http://www.iroquois.free-online.co.uk>.

Photo of portion of PicooZ product package; Silverlit 2006 Product Catalog (5 pages total).

Partial International Search from PCT/US2006/047982.

Photographic prior art reference, Dragonfly helicopter (4 pages).

Piccolino: 1:69 gram RC helicopter—RCGroups.com, <http://www.rcgroups.com/forums/showthread.php?t=509295> (6 pages).

Pryun, Richard R. “In-flight measurement of rotor blade airloads, bending moments, and motions, together with rotor shaft loads and fuselage vibration, on a tandem rotor helicopter”, *Boeing*, Nov. 1967 (Abstract, 1 pg).

Brahmananda, et al. “Application of passive dampers to modern helicopters”, *Smart Mater*, 1996 <http://www.iop.org/EJ/abstract/0964-1726/5/5/001> (Abstract, 1 pg).

<http://www.microhelicopters.net> (3 pgs).

Castillo, et al. “Real-time stabilization and tracking of a four-rotor mini rotorcraft”, *IEEE*, Jul. 2004 http://www.ieeexplore.org/xpl/freeabs_all.jsp?arnumber=1308180 (1 pg).

“Structural Components, Design of Tilt-Rotor JVX Near Completion”, *Aviation Week & Space Technology*, vol. 122, No. 2, p. 84, Jan. 14, 1985 (10 pgs).

European Search Opinion dated Jun. 10, 2008, in EP 06 845 583.1. Website reference, en.wikipedia.org/wiki/Kamov_Ka-50, Kamov Ka-50, Jun. 19, 2004 (6 pages).

Photographic reference, en.wikipedia.org/wiki/Image:Kamov_Ka-50_MAKS-2005.jpg, Aug. 28, 1995.

Photographic reference, www.fas.org/man/dod-101/sys/ac/row/ka-50-hokum.jpg, Aug. 28, 1995.

Photographic reference, www.aviastar.org/foto/ka-50_1.jpg, Aug. 28, 1995.

Website reference, web.archive.org/web/20050225044931/http://www.silverlit.com (2 pages), Jun. 5, 2007.

Website reference, web.archive.org/web/20060616140712/boeing.com/rotorcraft/military/ah64d/index.htm, Nov. 23, 2001 (2 pages).

Website reference, en.wikipedia.org/wiki/AH-64_Apache, Jul. 16, 2004 (11 pages).

Website reference, <http://www.globalsecurity.org/military/systems/aircraft/ah-64d.htm>, Nov. 7, 2001 (6 pages).

Photographic reference, www.fas.org/man/dod-101/sys/ac/ah-64.gif, Aug. 19, 2000.

Photographic reference, en.wikipedia.org/wiki/Image:P320007.jpg, 1981 (3 pages).

Photographic reference, www.fas.org/man/dod-101/sys/ac/ah-64d_001.jpg, Mar. 21, 1997.

Photographic reference, www.fas.org/man/dod-101/sys/ac/ah-64d-image83.jpg, Aug. 19, 2000.

Photographic reference, www.fas.org/man/dod-101/sys/ac/ah-64d-longbow1.jpg, Aug. 19, 2000.

Photographic reference, www.fas.org/man/dod-101/sys/ac/ah-64-dvic294.jpg, Feb. 2, 2003.

Photographic reference, www.voodoo.cz/ah64/pics/ah115.jpg, Jun. 14, 2001.

Photographic reference, www.voodoo.cz/ah64/pics/ah122.jpg, Jan. 10, 2002.

US D582,336 S

Page 6

- Photographic reference, www.voodoo.cz/ah64/pics/ah106.jpg, Jan. 9, 2002.
- Photographic reference, www.voodoo.cz/ah64/pics/ah112.jpg, Aug. 22, 2002.
- Photographic reference, www.voodoo.cz/ah64/pics/ah092.jpg, Jan. 8, 2002.
- Photographic reference, www.voodoo.cz/ah64/pics/ah153.jpg, Apr. 4, 2002.
- Photographic reference, www.voodoo.cz/ah64/pics/ah149.jpg, Jul. 8 2000.
- Photographic reference, www.voodoo.cz/ah64/pics/ah051.jpg, Jan. 8, 2002.
- Photographic reference, www.voodoo.cz/ah64/pics/ah049.jpg, Mar. 15, 2002.
- Photographic reference, www.voodoo.cz/ah64/pics/ah027.jpg, May 8, 1999.
- Photographic reference, www.voodoo.cz/ah64/pics/ah010.jpg, Jul. 8, 2000.
- Photographic reference, www.voodoo.cz/ah64/pics/ah003.jpg, Sep. 1, 2001.
- Photographic reference, www.airforceworld.com/heli/gfx/ah64/wah64_1.jpg, 1991.
- Photographic reference, www.fas.org/man/dod-101/sys/ac/ah-64a-990421-F-2095R-004.jpg, Aug. 19, 2000.
- Photographic reference, www.fas.org/man/dod-101/sys/ac/ah-64-dvic292.jpg, Aug. 19, 2000.
- Website reference, www.runryder.com/helicopter/t285494p1/, Jun. 12, 2007 (10 pages).
- Website reference, web.archive.org/web/20031218200732/http://www.scarlet.be/pixel/pixeli111.htm, Dec. 18, 2003 (7 pages).
- Website reference, web.archive.org/web/20031017234927/http://www.scarlet.be/pixel/pixelfo.htm, Oct. 17, 2003 (2 pages).
- Website reference, web.archive.org/web/20031218061901/http://pixelito.reference.be/, Dec. 18, 2003 (4 pages).
- Website reference, www.aviastar.org/helicopters_eng/breguet-dorand.php, 1935 (4 pages).
- Website reference, www.lionheartcreations.com/Lionheartsflightsimsite_page7.html, May 6, 2004 (4 pages).
- Website reference, www.lionheartcreations.com/FalconE.html, Jun. 22, 2004 (2 pages).
- Photographic reference, www.rotaryaction.com/images/airwolf4.jpg, 1984.
- Website reference, www.rotaryaction.com/pages/airwolf.html, 1984 (3 pages).
- * cited by examiner

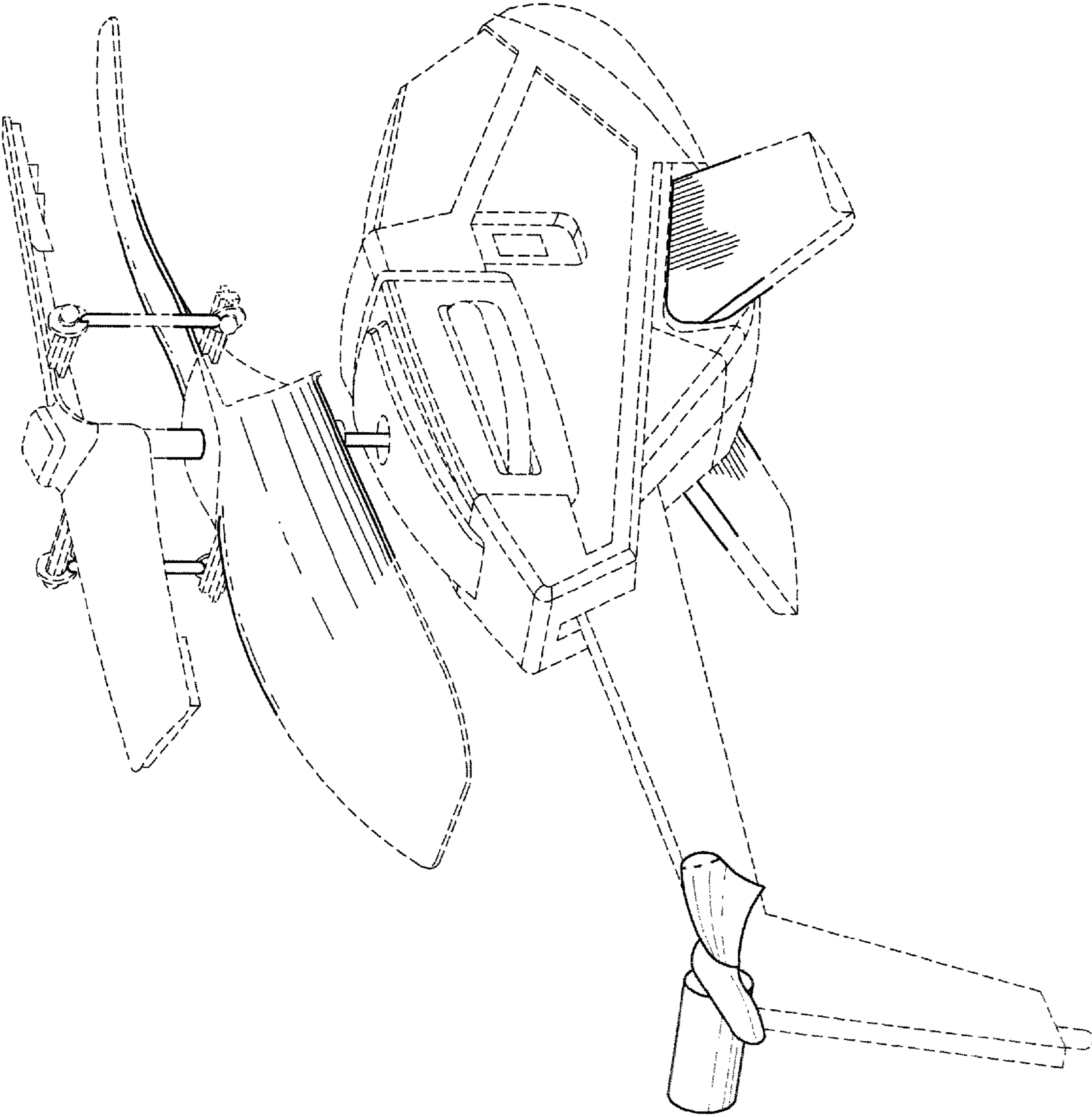


FIG. 1

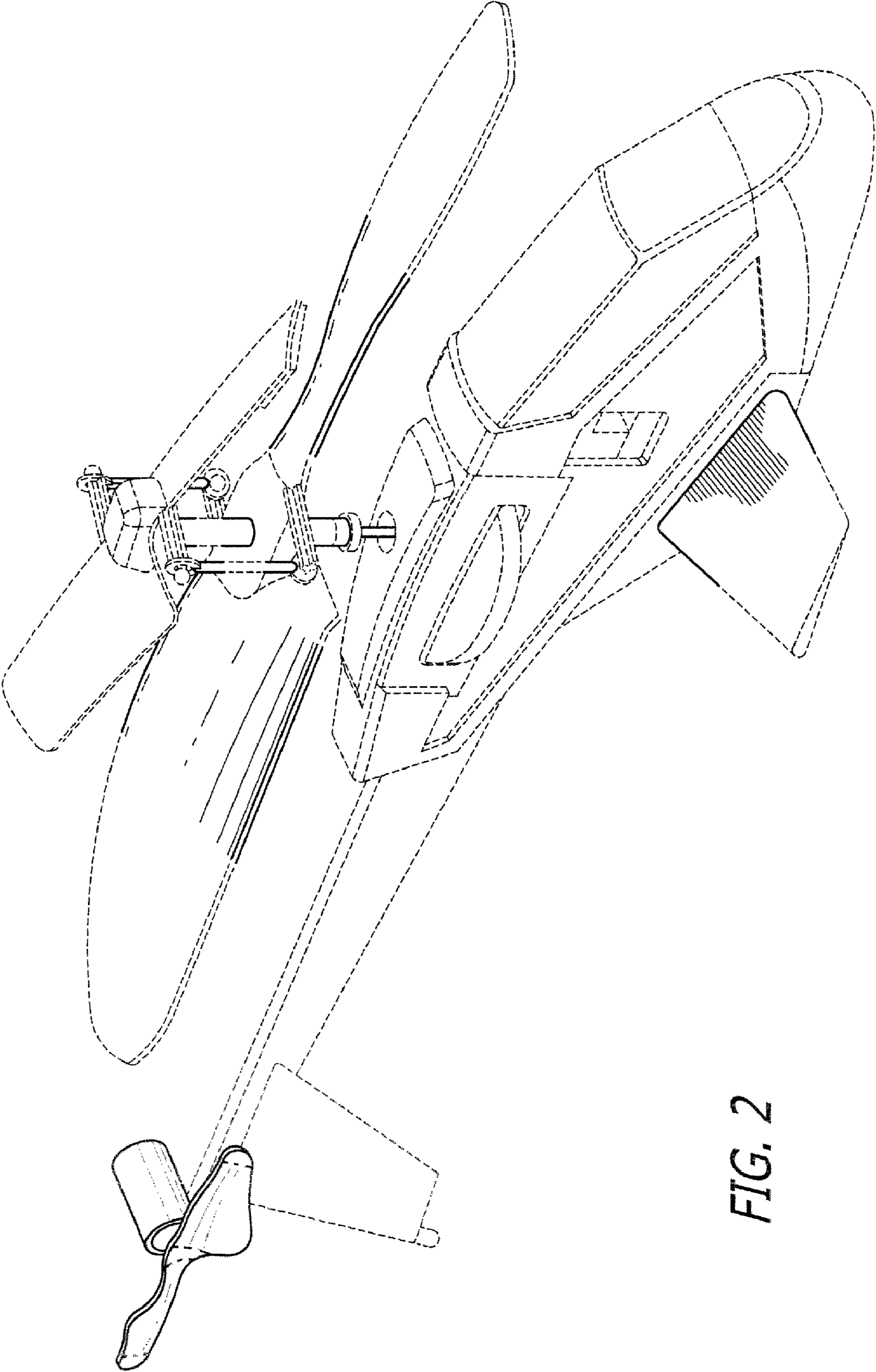


FIG. 2

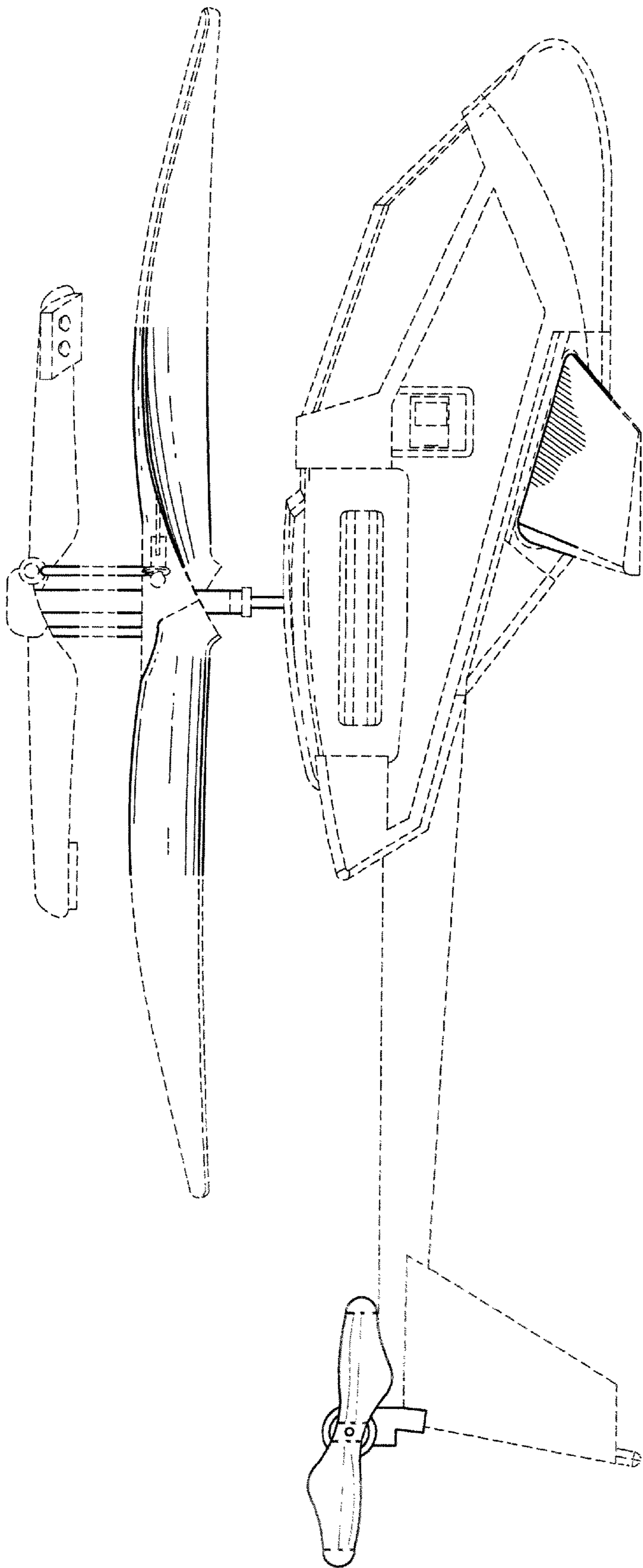


FIG. 3

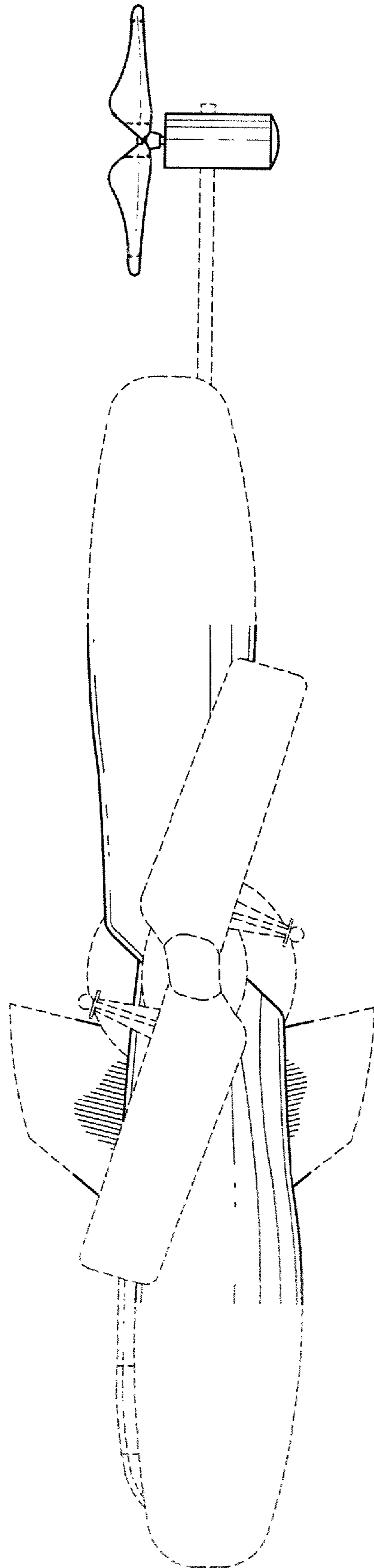


FIG. 4