



US00D582335S

(12) **United States Design Patent**
Rak

(10) **Patent No.:** **US D582,335 S**

(45) **Date of Patent:** **** Dec. 9, 2008**

(54) **WHEEL OR WHEEL COVER**

(75) Inventor: **Oliver Rak**, Pforzheim (DE)

(73) Assignee: **Daimler AG**, Stuttgart (DE)

(**) Term: **14 Years**

(21) Appl. No.: **29/309,410**

(22) Filed: **Aug. 12, 2008**

(30) **Foreign Application Priority Data**

Feb. 19, 2008 (EM) 000881099-0002

(51) **LOC (8) Cl.** **12-16**

(52) **U.S. Cl.** **D12/211**

(58) **Field of Classification Search** D12/204-213;
301/37.101, 64.101, 65, 64.201

See application file for complete search history.

(56) **References Cited**

U.S. PATENT DOCUMENTS

D412,692 S * 8/1999 Hussaini D12/209

D429,681 S * 8/2000 Cullen D12/211

D481,663 S * 11/2003 Maifrini D12/211

D491,872 S * 6/2004 Lai D12/211

D513,487 S * 1/2006 Wachtler D12/209

D522,432 S * 6/2006 Pfeiffer D12/209

D526,610 S * 8/2006 Muzzarelli D12/211

D542,207 S * 5/2007 Gauffres D12/211

D563,305 S * 3/2008 Schweizer D12/211

D570,761 S * 6/2008 Antoniadis et al. D12/211

D576,537 S * 9/2008 Chung D12/211

* cited by examiner

Primary Examiner—Stacia Cadmus

(74) *Attorney, Agent, or Firm*—Crowell & Moring LLP

(57) **CLAIM**

The ornamental design for a wheel or wheel cover, as shown and described.

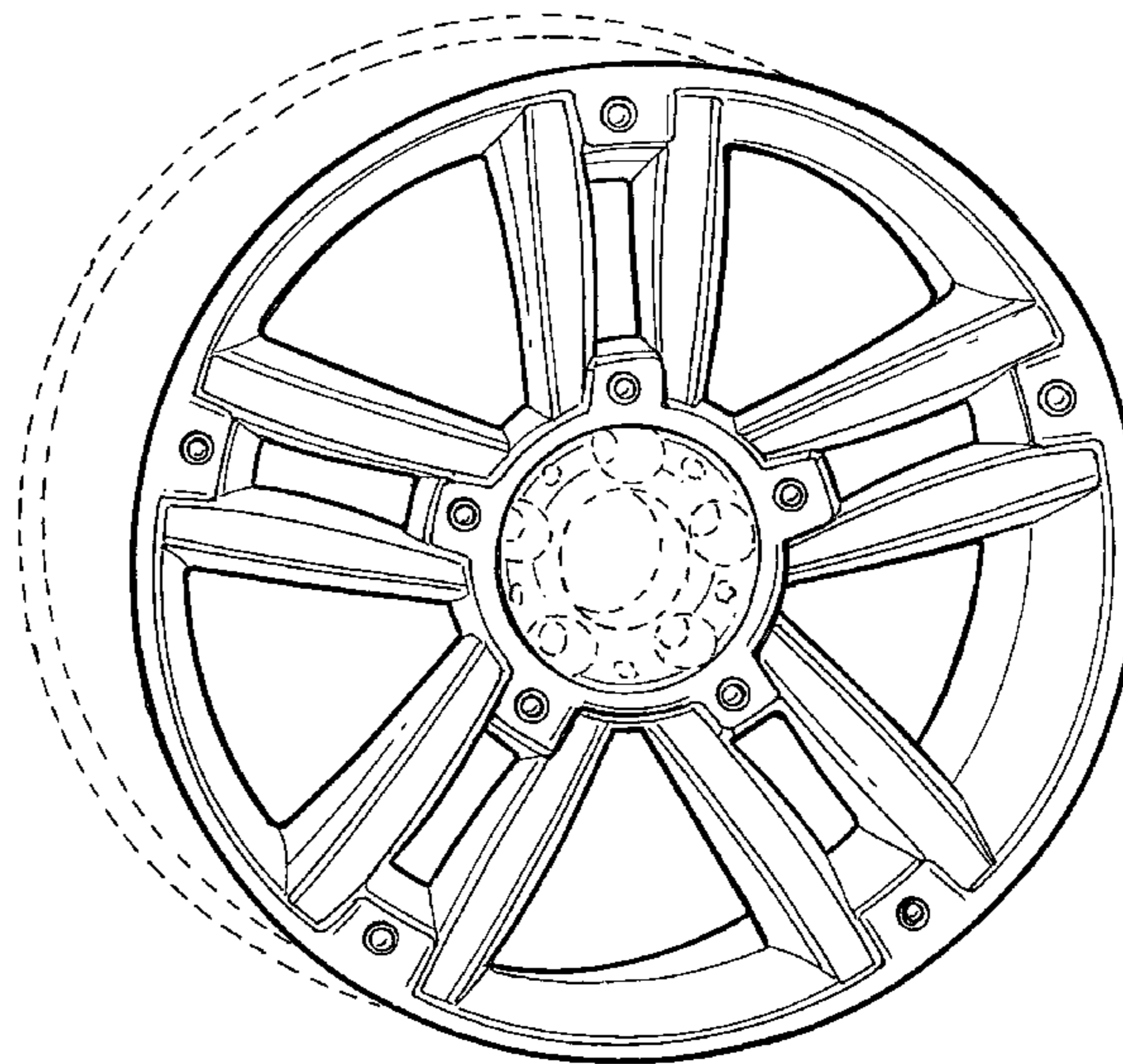
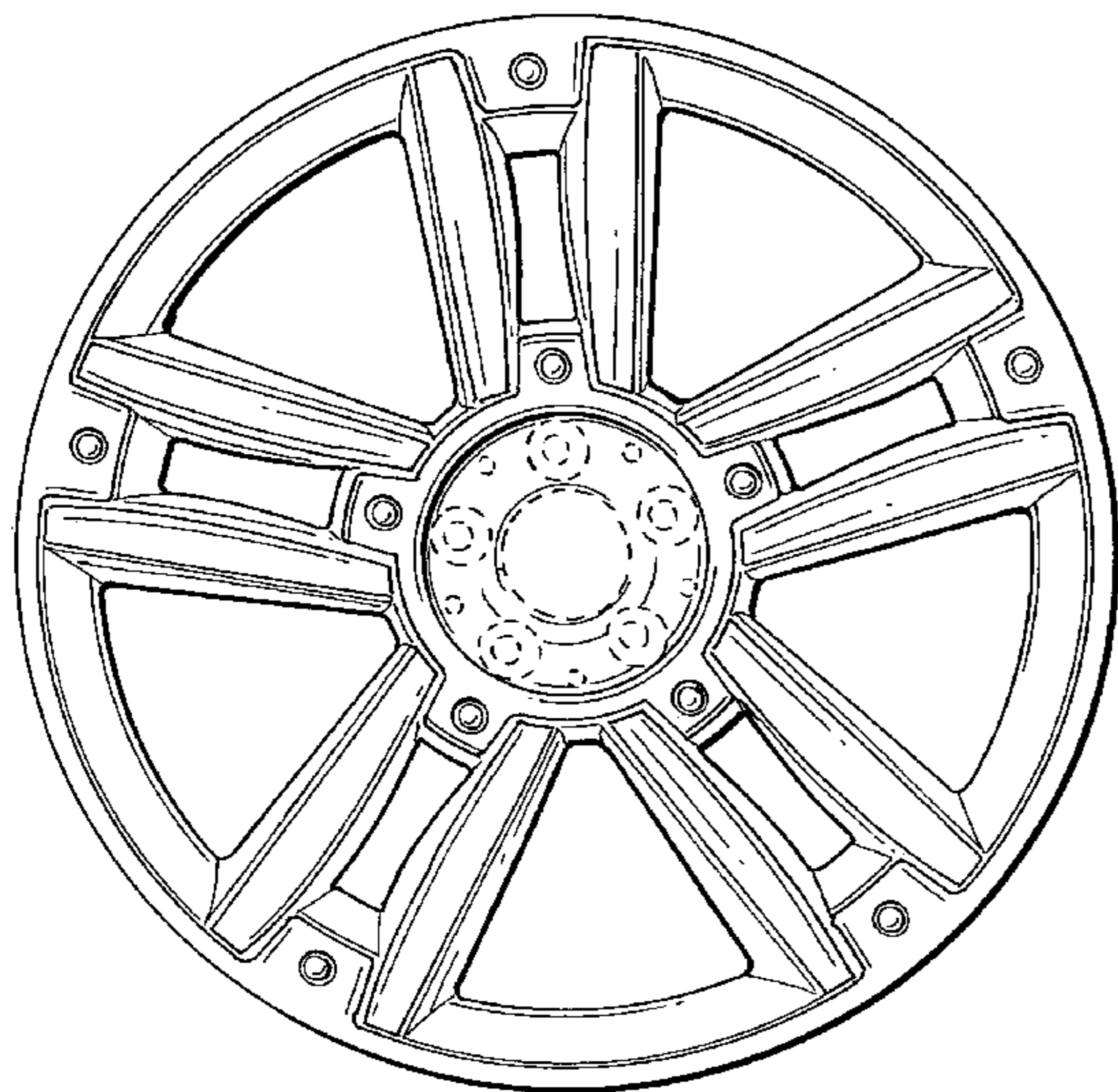
DESCRIPTION

FIG. 1 is a front view of a wheel or wheel cover according to my novel design; and,

FIG. 2 is a perspective view thereof.

The broken line showing of the rear portion of the wheel rim and the central hub area is included for the purpose of illustrating environment and forms no part of the claimed design.

1 Claim, 1 Drawing Sheet



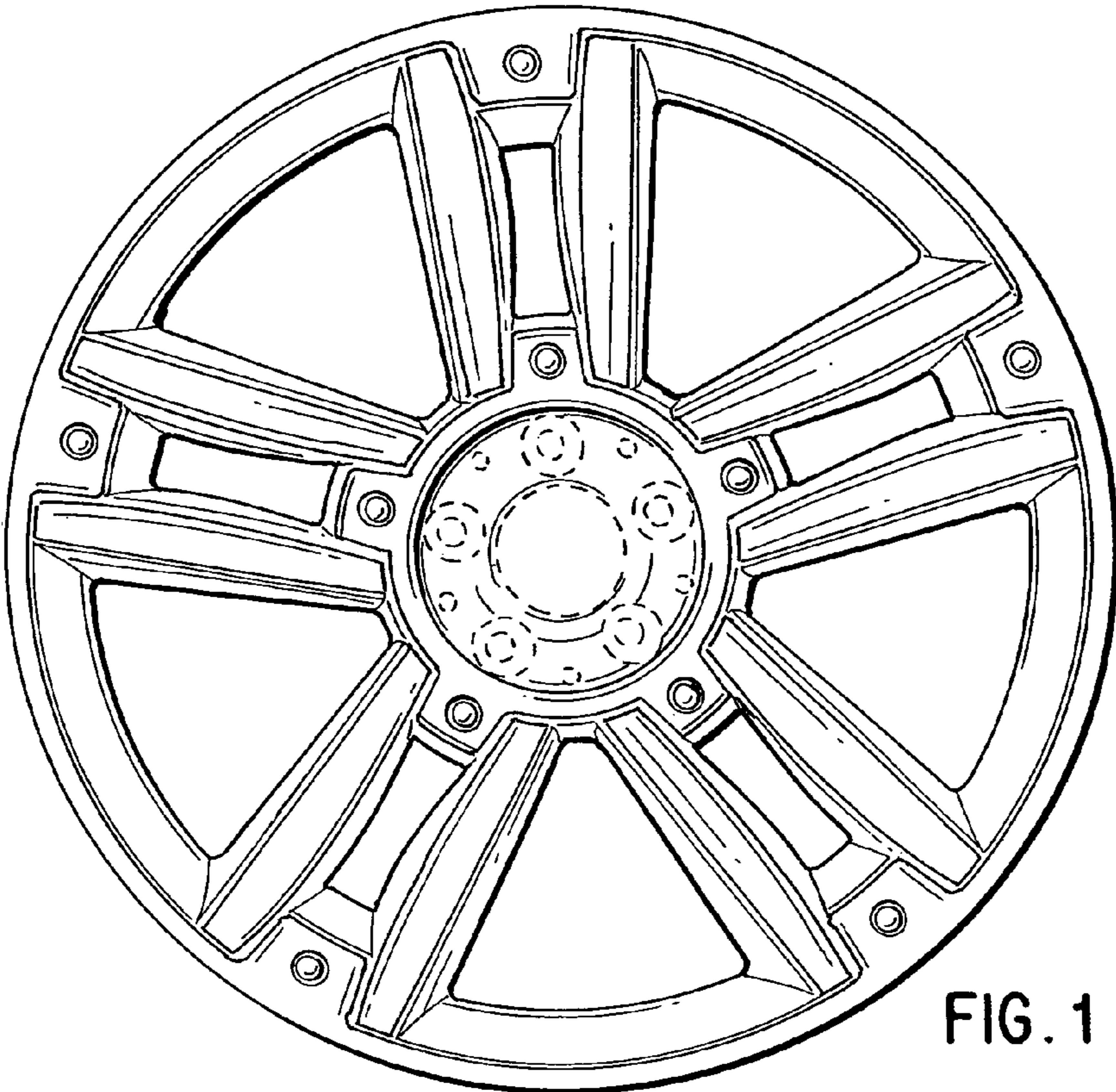


FIG. 1

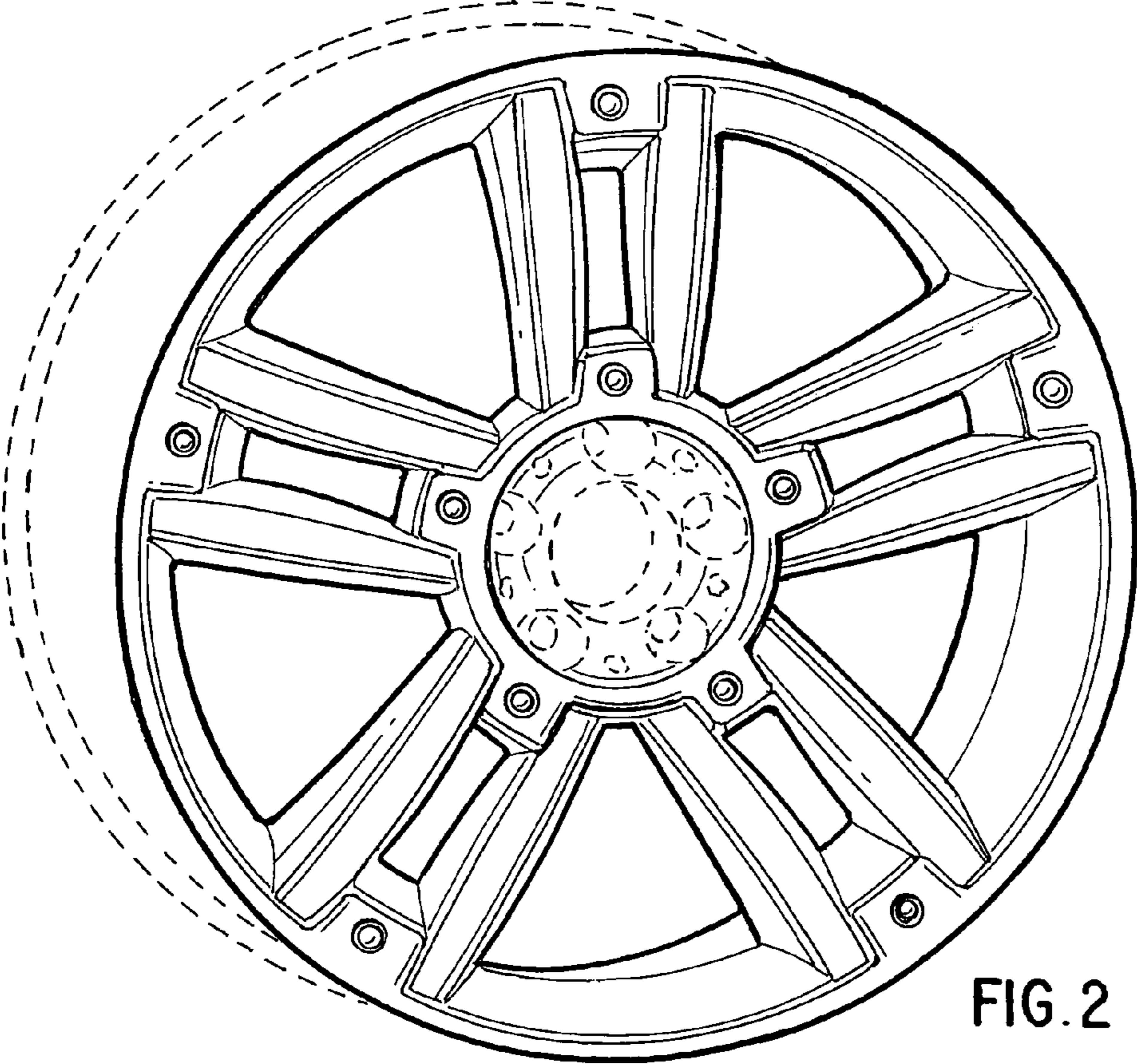


FIG. 2