



US00D582333S

(12) **United States Design Patent**  
**Pfeiffer**

(10) **Patent No.:** **US D582,333 S**  
(45) **Date of Patent:** **\*\* Dec. 9, 2008**

(54) **FRONT FACE OF A VEHICLE WHEEL**

(75) Inventor: **Peter Pfeiffer**, Boeblingen (DE)

(73) Assignee: **Daimler AG**, Stuttgart (DE)

(\*\*) Term: **14 Years**

(21) Appl. No.: **29/267,524**

(22) Filed: **Oct. 17, 2006**

(30) **Foreign Application Priority Data**

Apr. 18, 2006 (EM) ..... 000513858-0003

(51) **LOC (8) Cl.** ..... **12-16**

(52) **U.S. Cl.** ..... **D12/211**

(58) **Field of Classification Search** ..... D12/204-213;  
301/37.101, 64.101, 65, 64.201

See application file for complete search history.

(56) **References Cited**

**U.S. PATENT DOCUMENTS**

D422,258 S *	4/2000	Hale, Jr.	.....	D12/211
D450,647 S *	11/2001	Pfeiffer	.....	D12/211
D454,105 S *	3/2002	Pfeiffer	.....	D12/209
D460,037 S *	7/2002	Takechi	.....	D12/211
D467,213 S *	12/2002	Pfeiffer et al.	.....	D12/211
D485,223 S *	1/2004	Pfeiffer et al.	.....	D12/209
D500,004 S *	12/2004	Szavits	.....	D12/211
D504,381 S *	4/2005	Rice	.....	D12/211

D507,517 S *	7/2005	Kushartanto	.....	D12/209
D515,490 S *	2/2006	Pfeiffer	.....	D12/209
D522,949 S *	6/2006	Elmitt	.....	D12/211
D530,253 S *	10/2006	Coutts	.....	D12/209
D530,257 S *	10/2006	Pfeiffer	.....	D12/211
D530,657 S *	10/2006	Pfeiffer	.....	D12/211
D531,565 S *	11/2006	Pfeiffer	.....	D12/211
D540,239 S *	4/2007	Pfeiffer	.....	D12/211
D540,240 S *	4/2007	Kountouras	.....	D12/211

\* cited by examiner

*Primary Examiner*—Stacia Cadmus

(74) *Attorney, Agent, or Firm*—Crowell & Moring LLP

(57) **CLAIM**

The ornamental design for a front face of a vehicle wheel, as shown and described.

**DESCRIPTION**

FIG. 1 is a front view of a first embodiment of a front face of a vehicle wheel according to my novel design; and

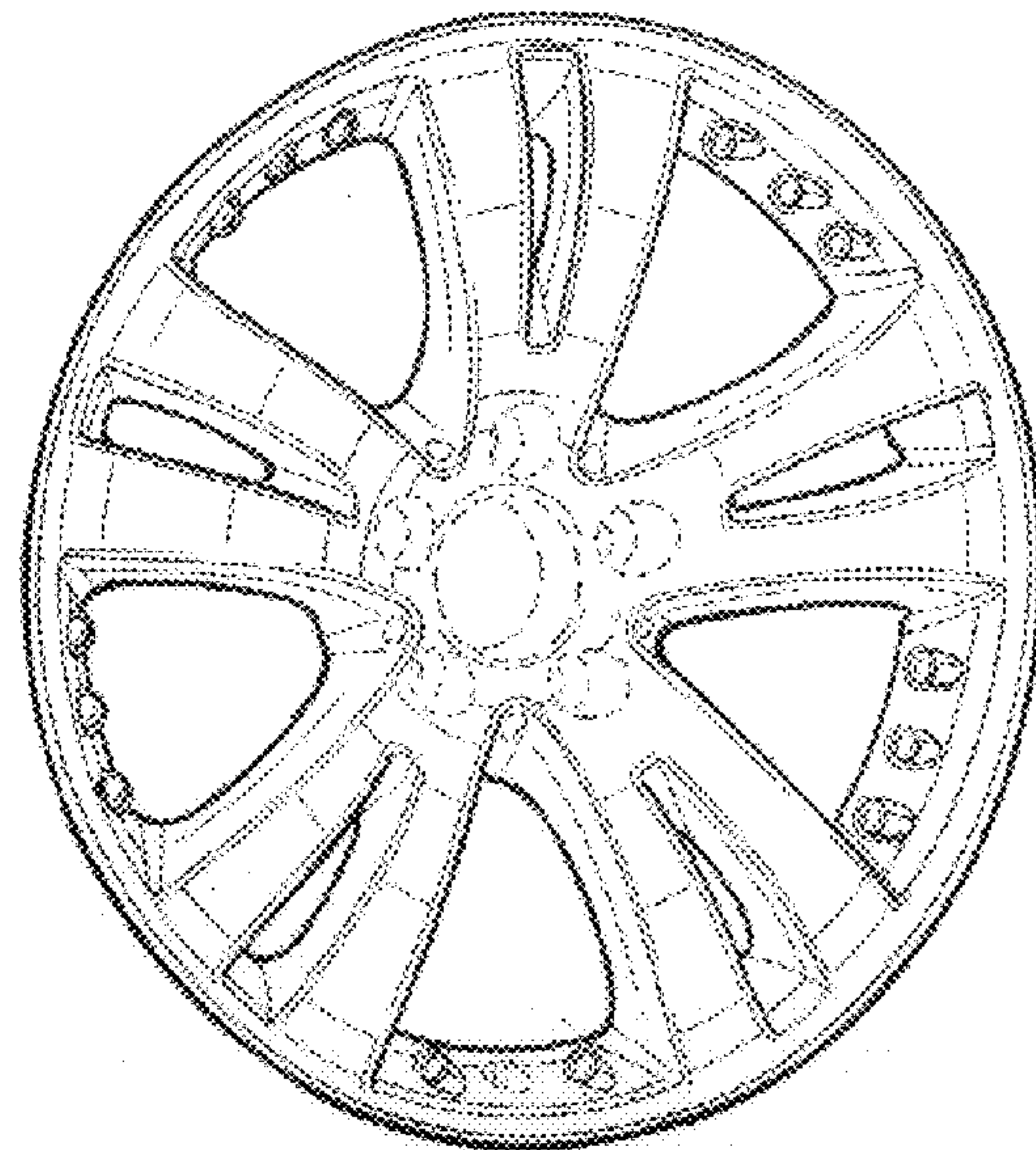
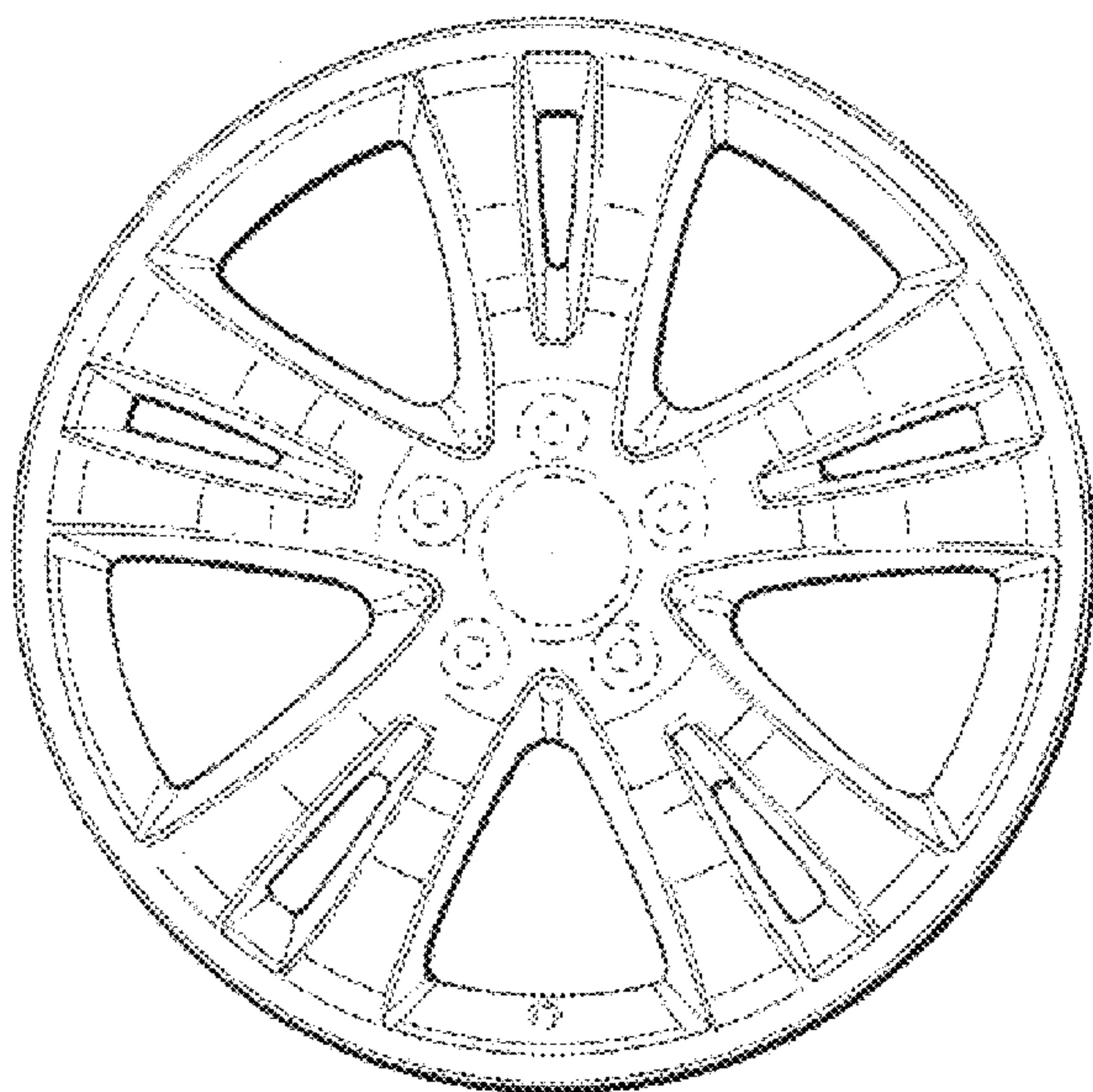
FIG. 2 is a perspective view thereof.

FIG. 3 is a front view of a second embodiment of the front face of a vehicle wheel according to my novel design; and,

FIG. 4 is a perspective view thereof.

The broken line showing of the central hub area is included for the purpose of illustrating environment and forms no part of the claimed design.

**1 Claim, 2 Drawing Sheets**





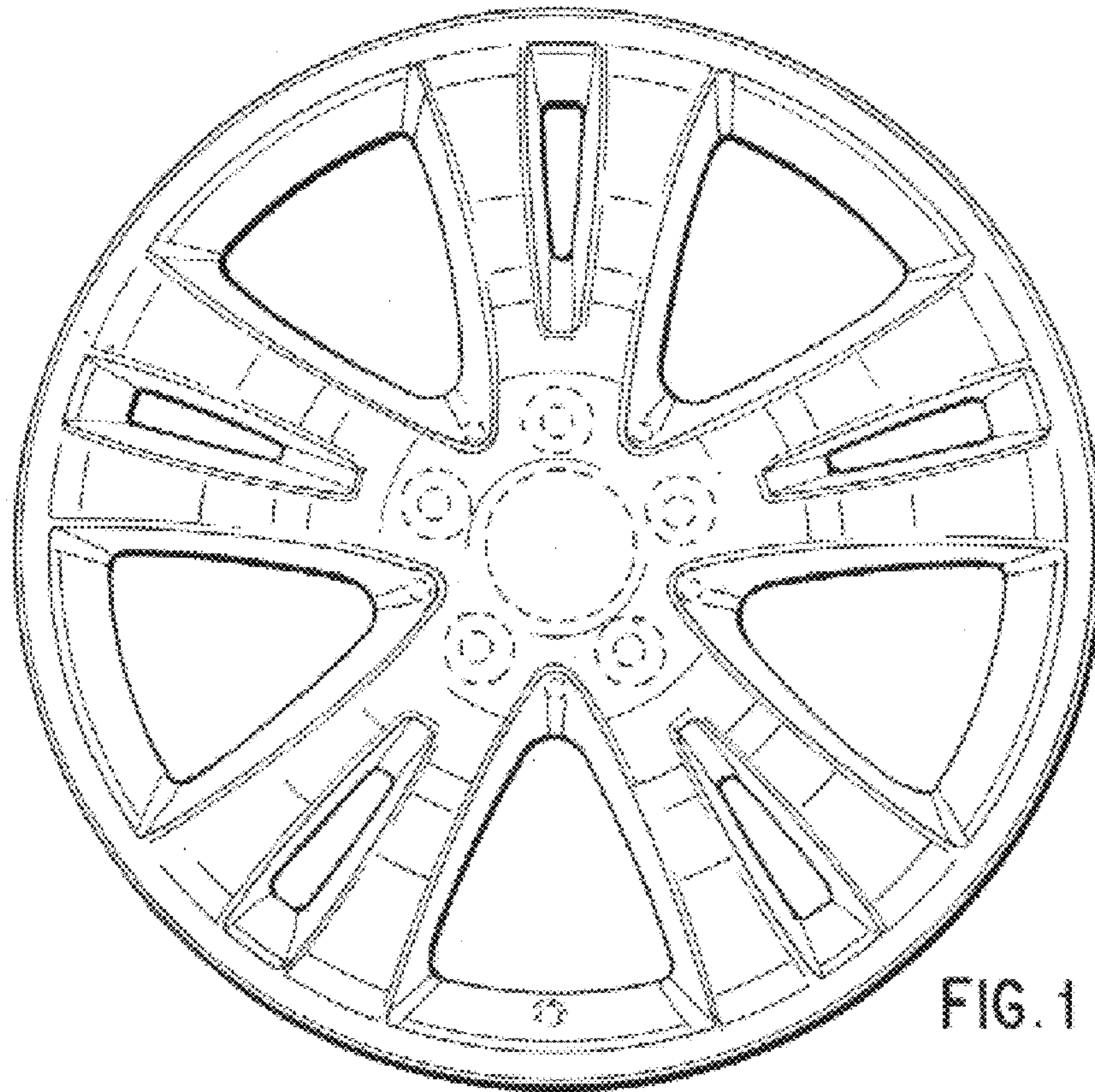


FIG. 1

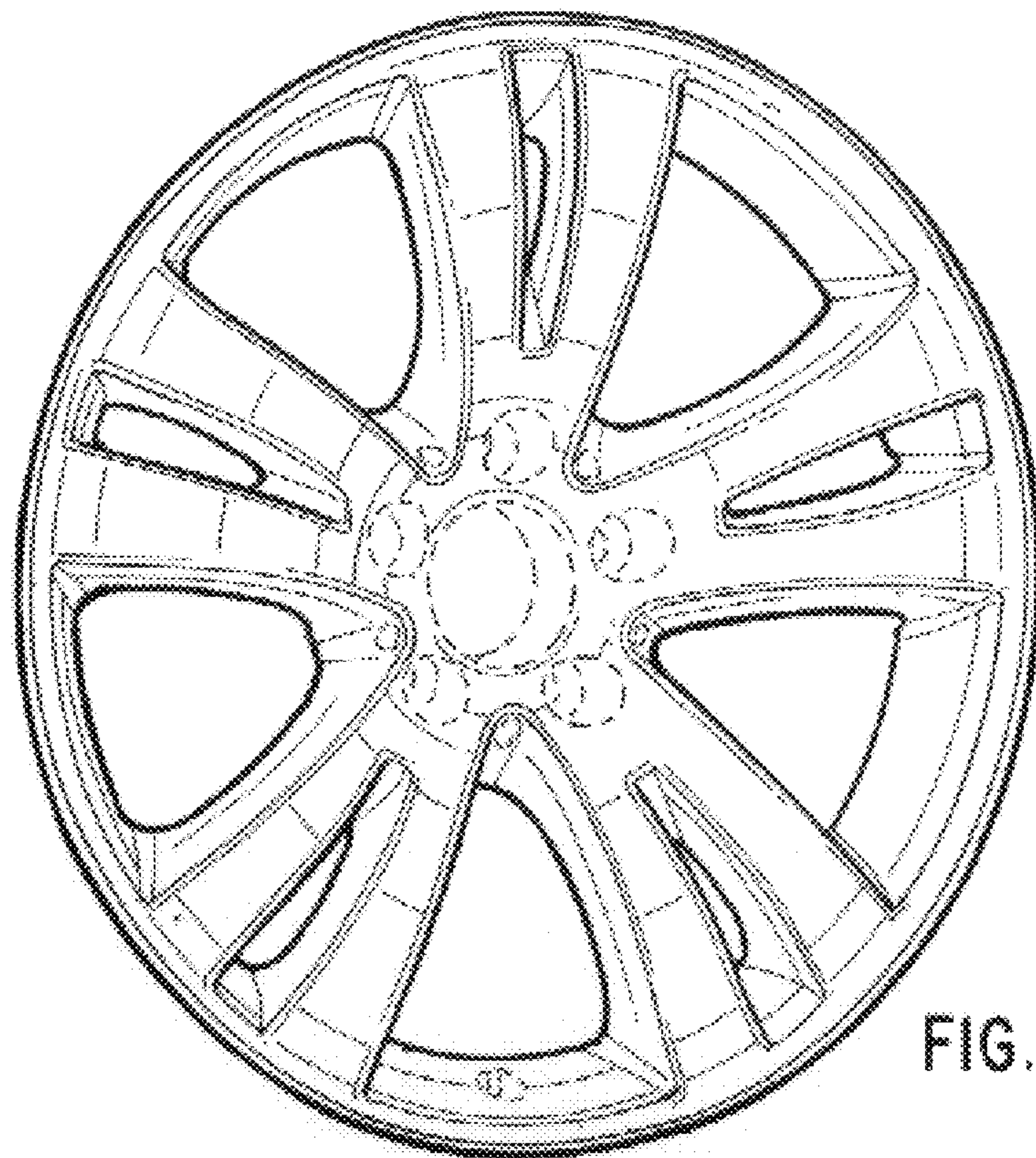


FIG. 2



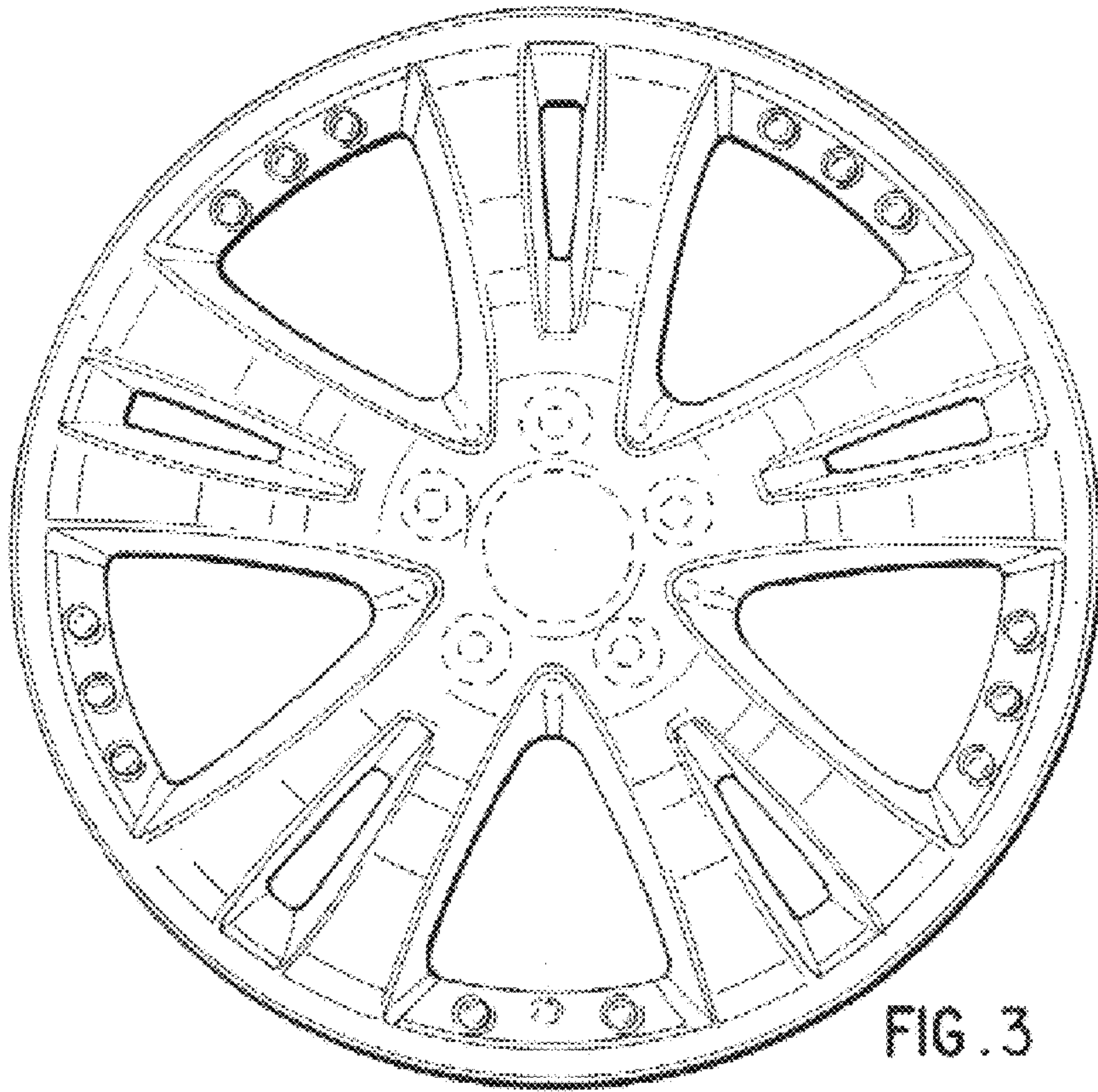


FIG. 3

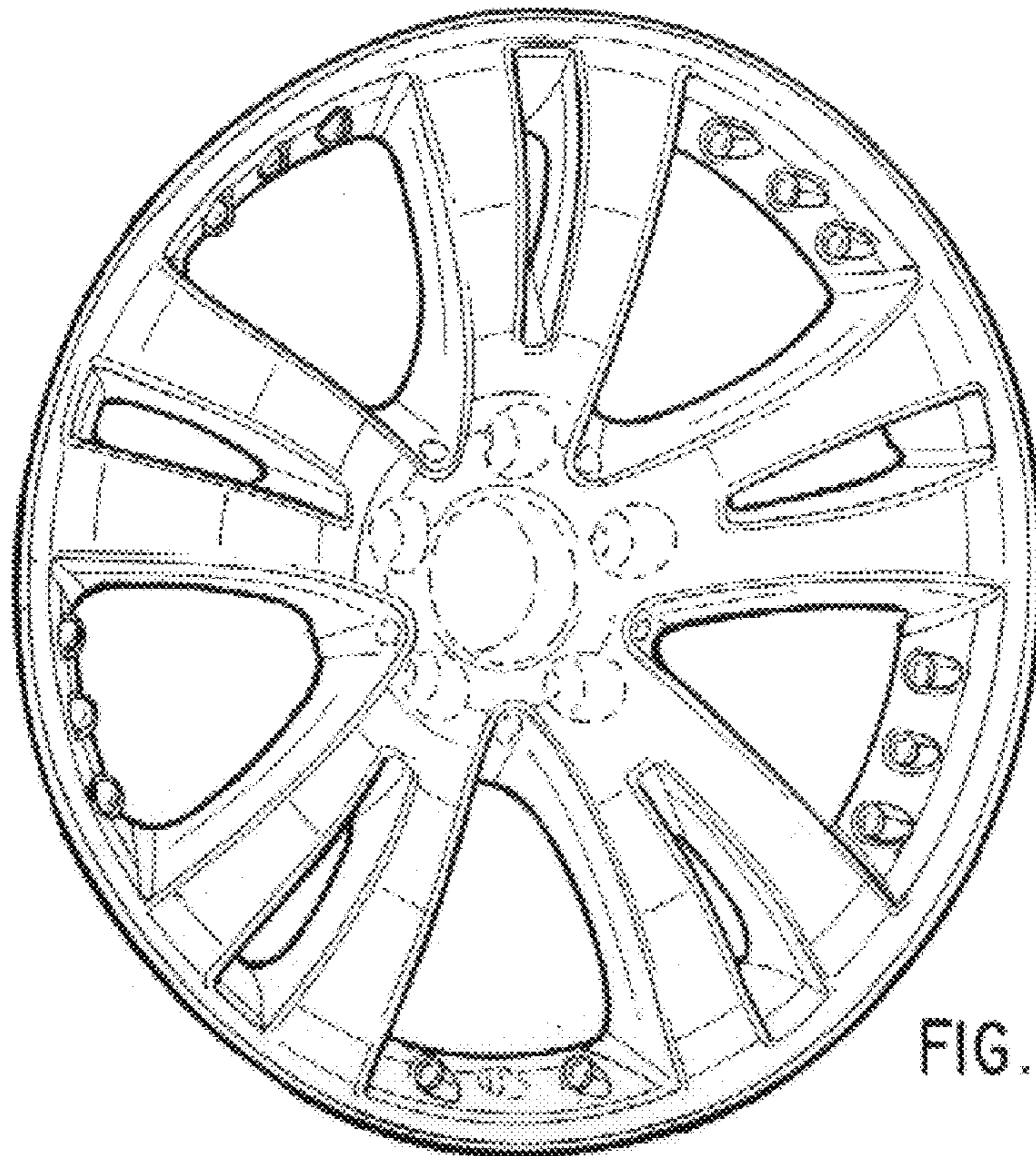


FIG. 4