



US00D582331S

(12) **United States Design Patent**  
**Blasi**

(10) **Patent No.:** **US D582,331 S**  
(45) **Date of Patent:** **\*\* Dec. 9, 2008**

(54) **FRONT FACE OF A VEHICLE WHEEL**

(75) Inventor: **Juliane Blasi**, Munich (DE)

(73) Assignee: **Bayerische Motoren Werke Aktiengesellschaft**, Munich (DE)

(\*\*) Term: **14 Years**

(21) Appl. No.: **29/290,530**

(22) Filed: **Dec. 13, 2007**

(30) **Foreign Application Priority Data**

Jun. 14, 2007 (DE) ..... 4 07 03 114

(51) **LOC (8) Cl.** ..... **12-16**

(52) **U.S. Cl.** ..... **D12/209**

(58) **Field of Classification Search** ..... D12/204-213;  
301/37.101, 64.101, 65, 64.201  
See application file for complete search history.

(56) **References Cited**

**U.S. PATENT DOCUMENTS**

D467,855 S \* 12/2002 Laengerer ..... D12/209  
D469,048 S \* 1/2003 van Hooydonk ..... D12/209

D476,938 S \* 7/2003 Hatori ..... D12/209  
D504,648 S \* 5/2005 Pfeiffer ..... D12/209  
D512,007 S \* 11/2005 Sze ..... D12/209  
D518,765 S \* 4/2006 Gabath ..... D12/209  
D528,958 S \* 9/2006 Kim ..... D12/209  
D530,253 S \* 10/2006 Coutts ..... D12/209  
D535,238 S \* 1/2007 Kim ..... D12/209  
D538,216 S 3/2007 Sycha  
D540,238 S \* 4/2007 Sycha ..... D12/209

\* cited by examiner

*Primary Examiner*—Stacia Cadmus

(74) *Attorney, Agent, or Firm*—Crowell & Moring LLP

(57) **CLAIM**

The ornamental design for a front face of a vehicle wheel, as shown and described.

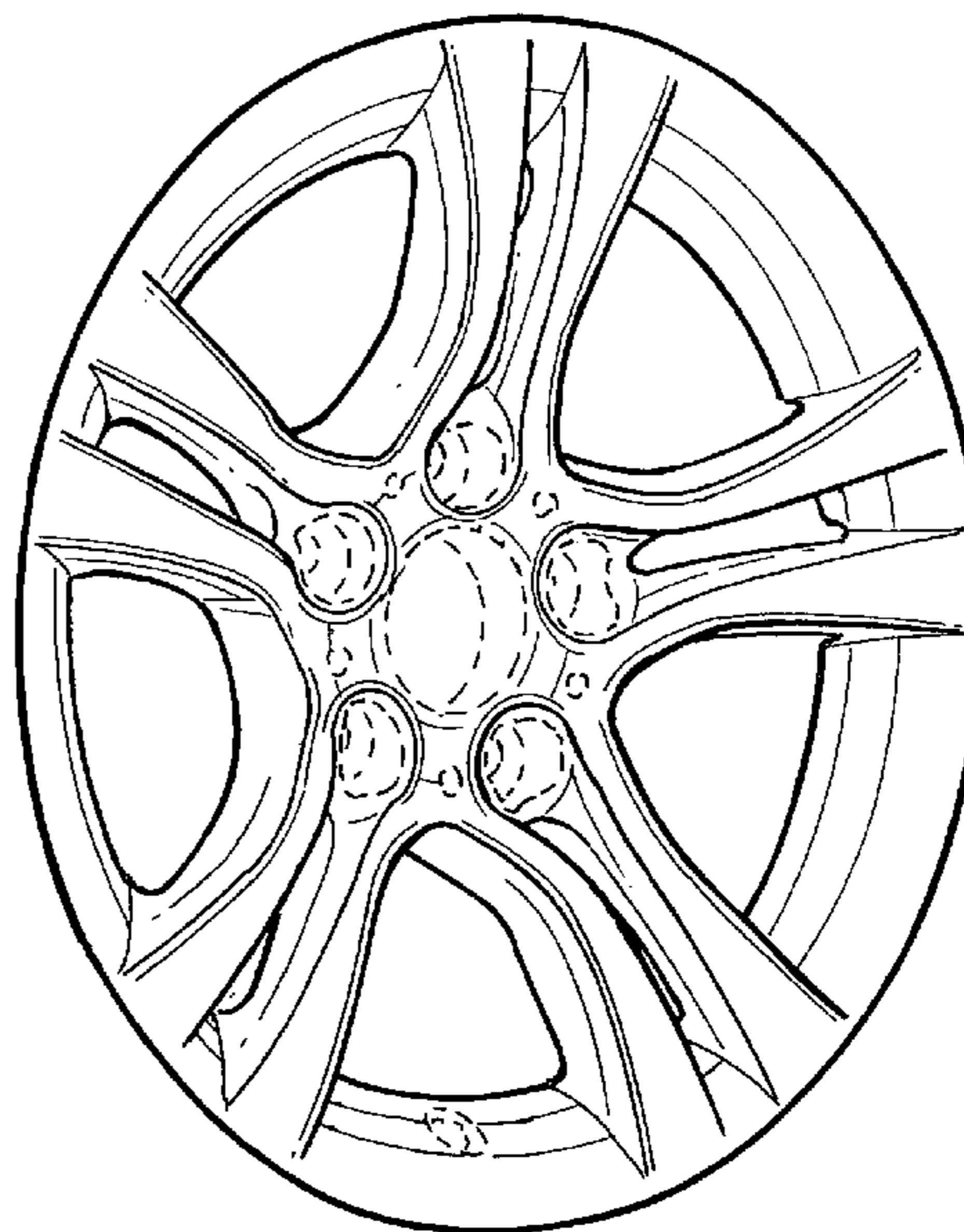
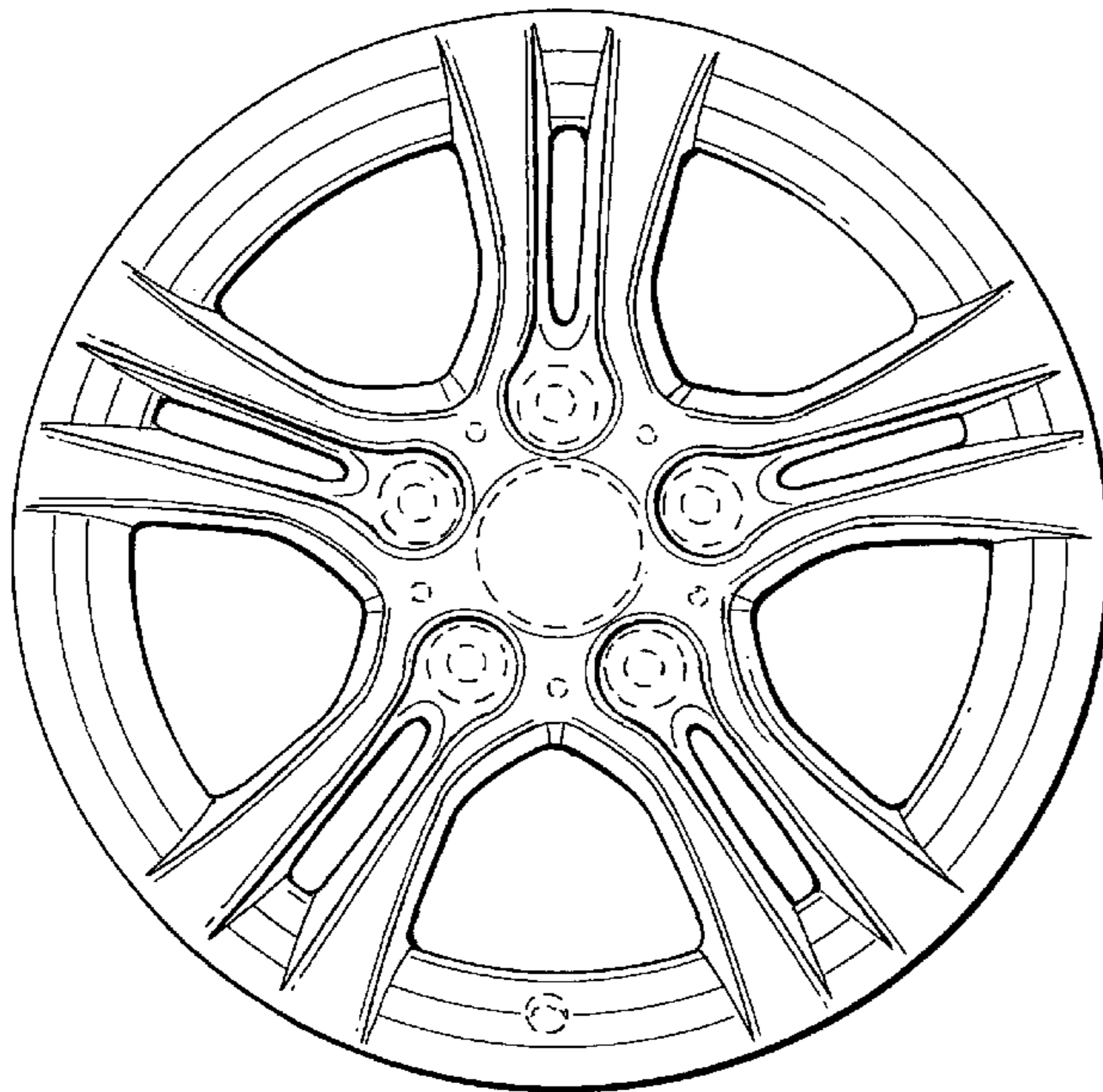
**DESCRIPTION**

FIG. 1 is a front view of a front face of a vehicle wheel according to my novel design; and,

FIG. 2 is a perspective view thereof.

The broken lines are for illustrative purposes only and form no part of the claimed design.

**1 Claim, 1 Drawing Sheet**



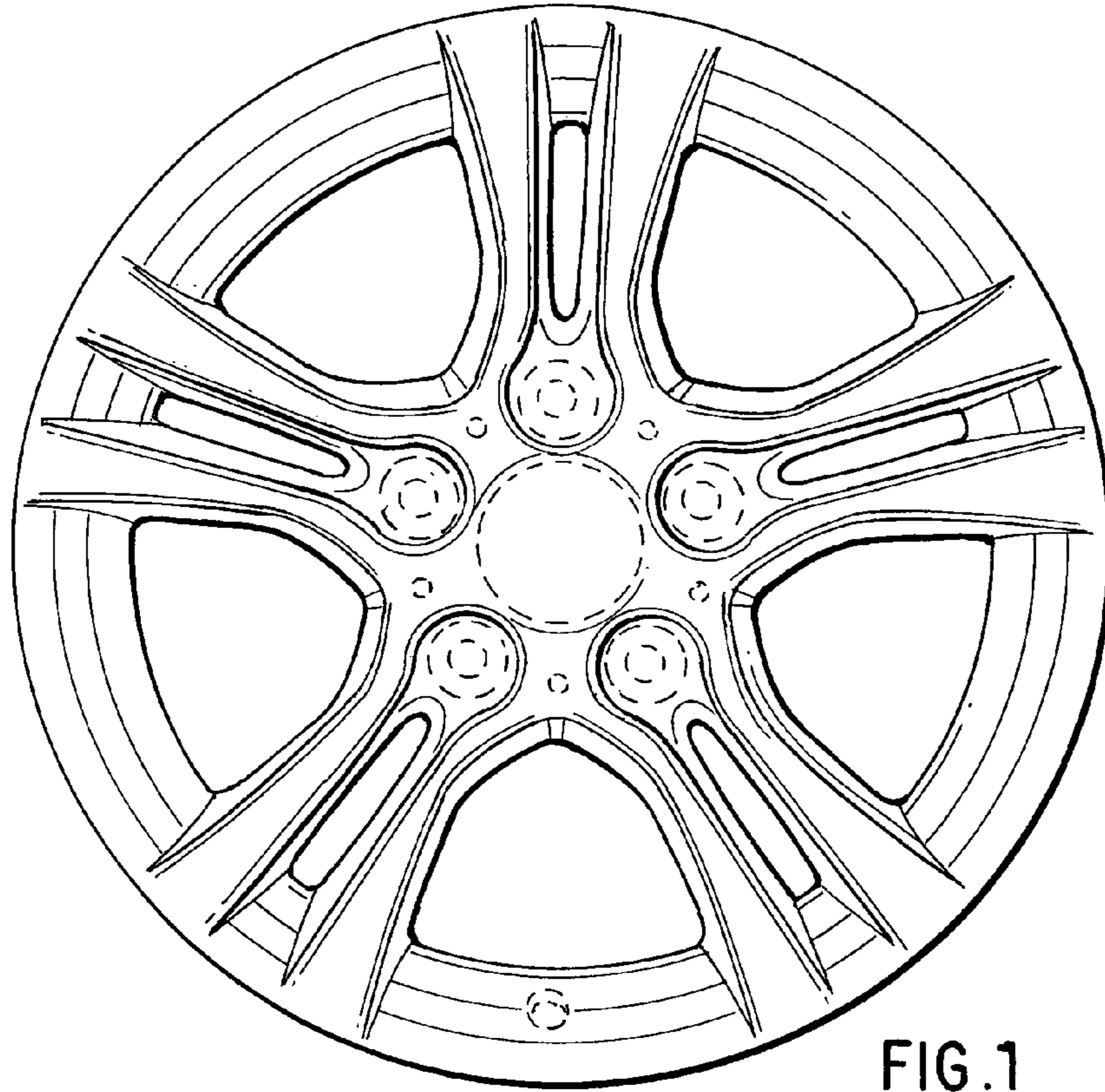


FIG. 1

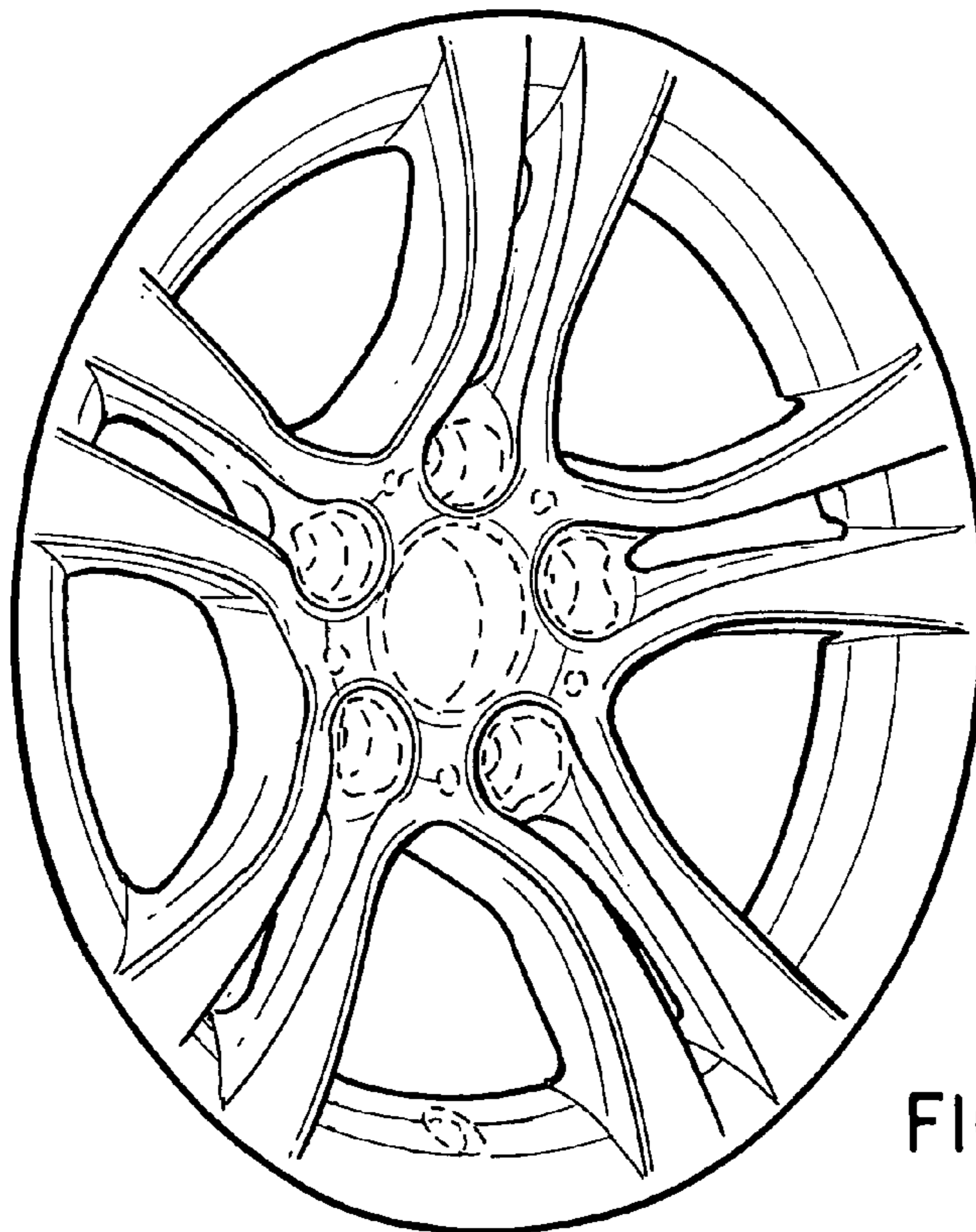


FIG. 2