

US00D582329S

(12) **United States Design Patent**
Hieke

(10) **Patent No.:** **US D582,329 S**
(45) **Date of Patent:** **** Dec. 9, 2008**

(54) **FRONT FACE OF A VEHICLE WHEEL**

(75) Inventor: **Claus Hieke**, Sindelfingen (DE)

(73) Assignee: **Daimler AG**, Stuttgart (DE)

(**) Term: **14 Years**

(21) Appl. No.: **29/287,580**

(22) Filed: **Aug. 24, 2007**

(30) **Foreign Application Priority Data**

Feb. 27, 2007 (EM) 000677596-0007

(51) **LOC (8) Cl.** **12-16**

(52) **U.S. Cl.** **D12/209**

(58) **Field of Classification Search** D12/204-213;
301/37.101, 64.101, 65, 64.201

See application file for complete search history.

(56) **References Cited**

U.S. PATENT DOCUMENTS

D360,610 S *	7/1995	Bernoni	D12/211
D454,104 S *	3/2002	Hieke	D12/209
D454,325 S *	3/2002	Hieke	D12/209
D454,530 S *	3/2002	Hieke	D12/211
D461,756 S *	8/2002	Hieke	D12/211
D462,309 S *	9/2002	Hieke	D12/211
D504,649 S *	5/2005	Pfeiffer	D12/209

D505,371 S *	5/2005	Hueller	D12/209
D514,495 S *	2/2006	Hieke	D12/211
D522,431 S *	6/2006	Hieke	D12/209
D528,059 S *	9/2006	Hieke	D12/209
D532,733 S *	11/2006	Hieke	D12/209
D532,734 S *	11/2006	Hieke	D12/209
D542,211 S *	5/2007	Hieke	D12/211
D542,729 S *	5/2007	Hieke	D12/211

* cited by examiner

Primary Examiner—Stacia Cadmus

(74) *Attorney, Agent, or Firm*—Crowell & Moring LLP

(57) **CLAIM**

The ornamental design for a front face of a vehicle wheel, as shown and described.

DESCRIPTION

FIG. 1 is a front view of a first embodiment of a front face of a vehicle wheel according to my novel design; and

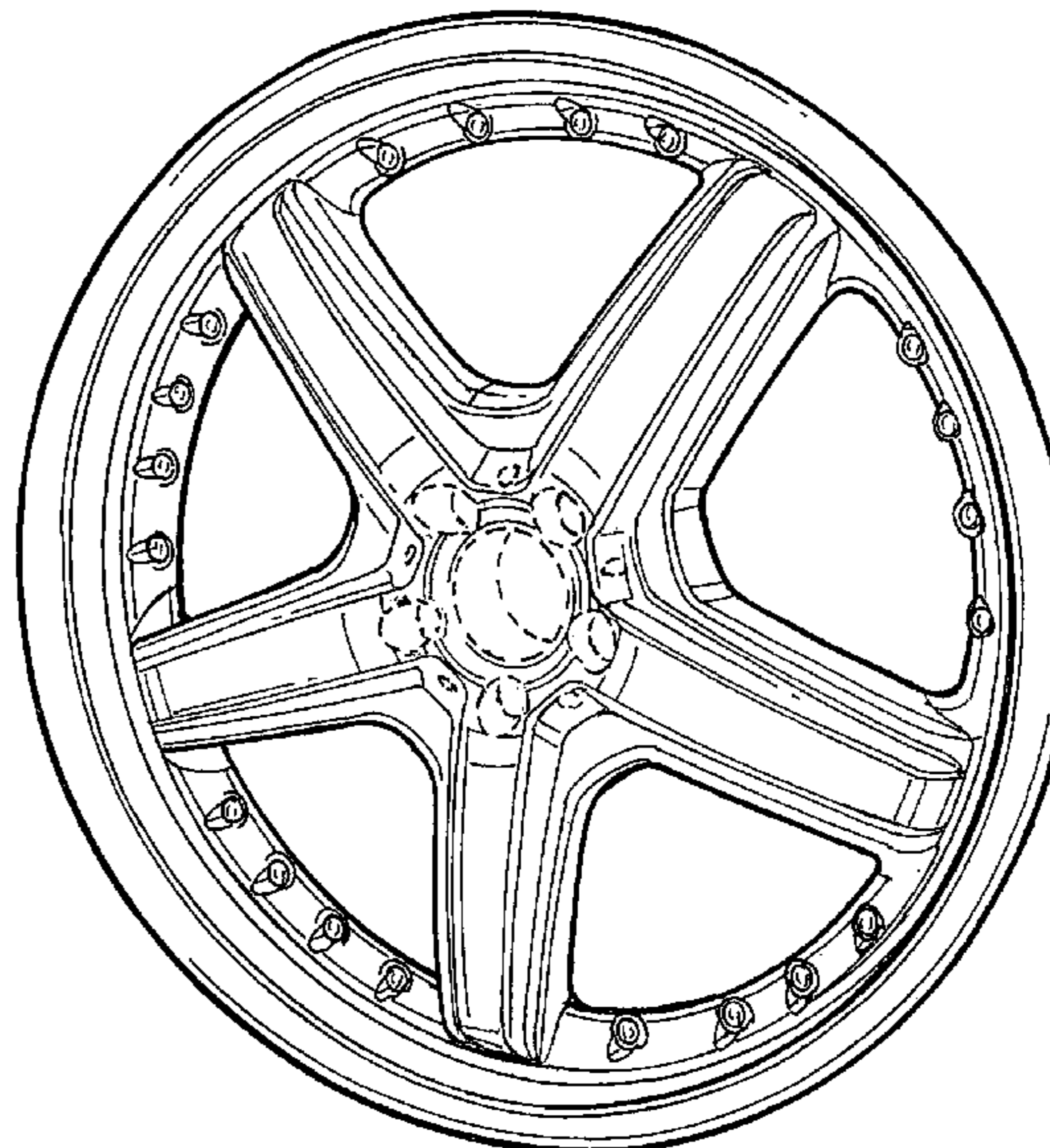
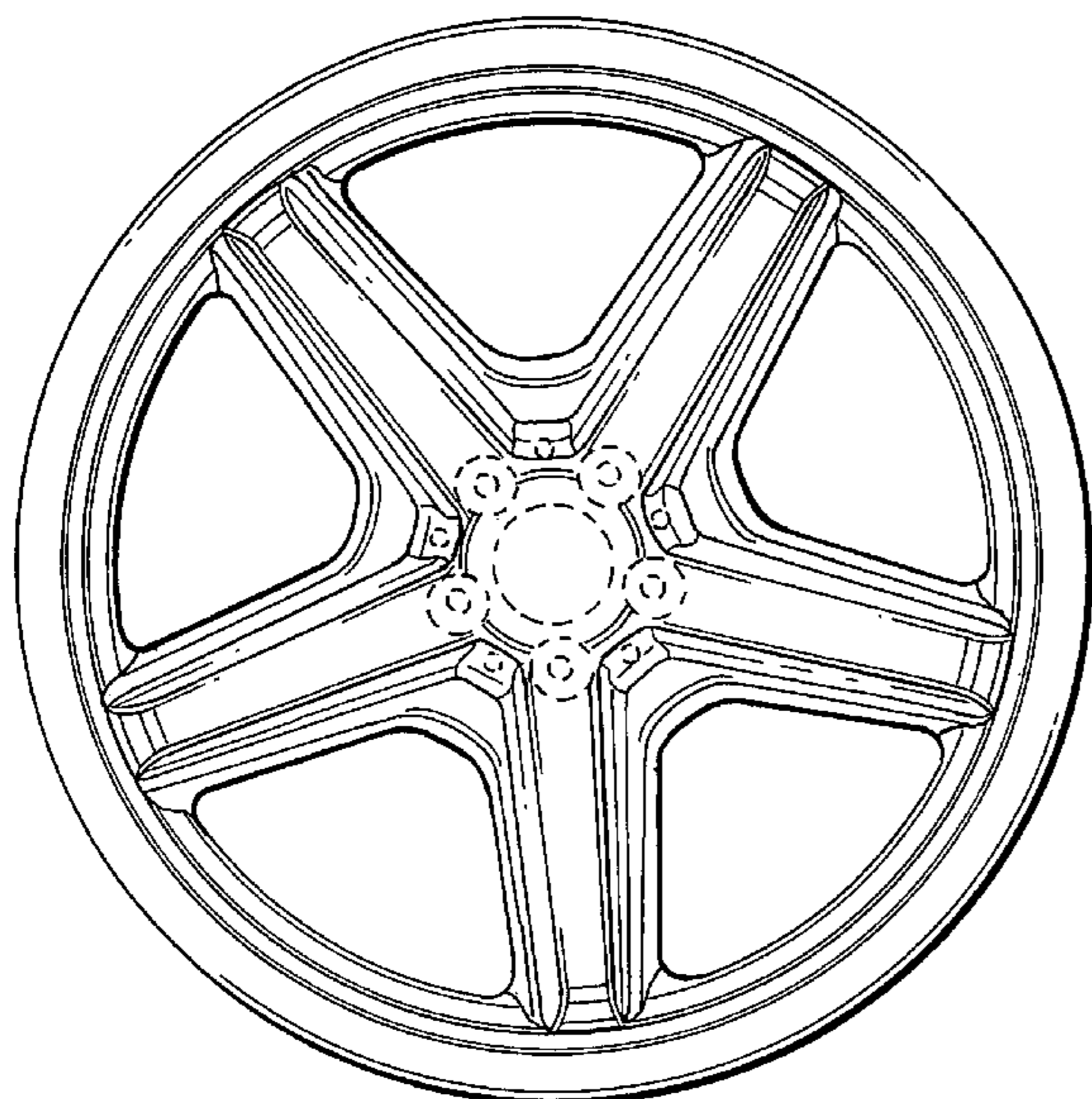
FIG. 2 is a perspective view thereof.

FIG. 3 is a front view of a second embodiment of the front face of a vehicle wheel according to my novel design; and,

FIG. 4 is a perspective view thereof.

The broken line showing of the central hub area is included for the purpose of illustrating environment and forms no part of the claimed design.

1 Claim, 2 Drawing Sheets



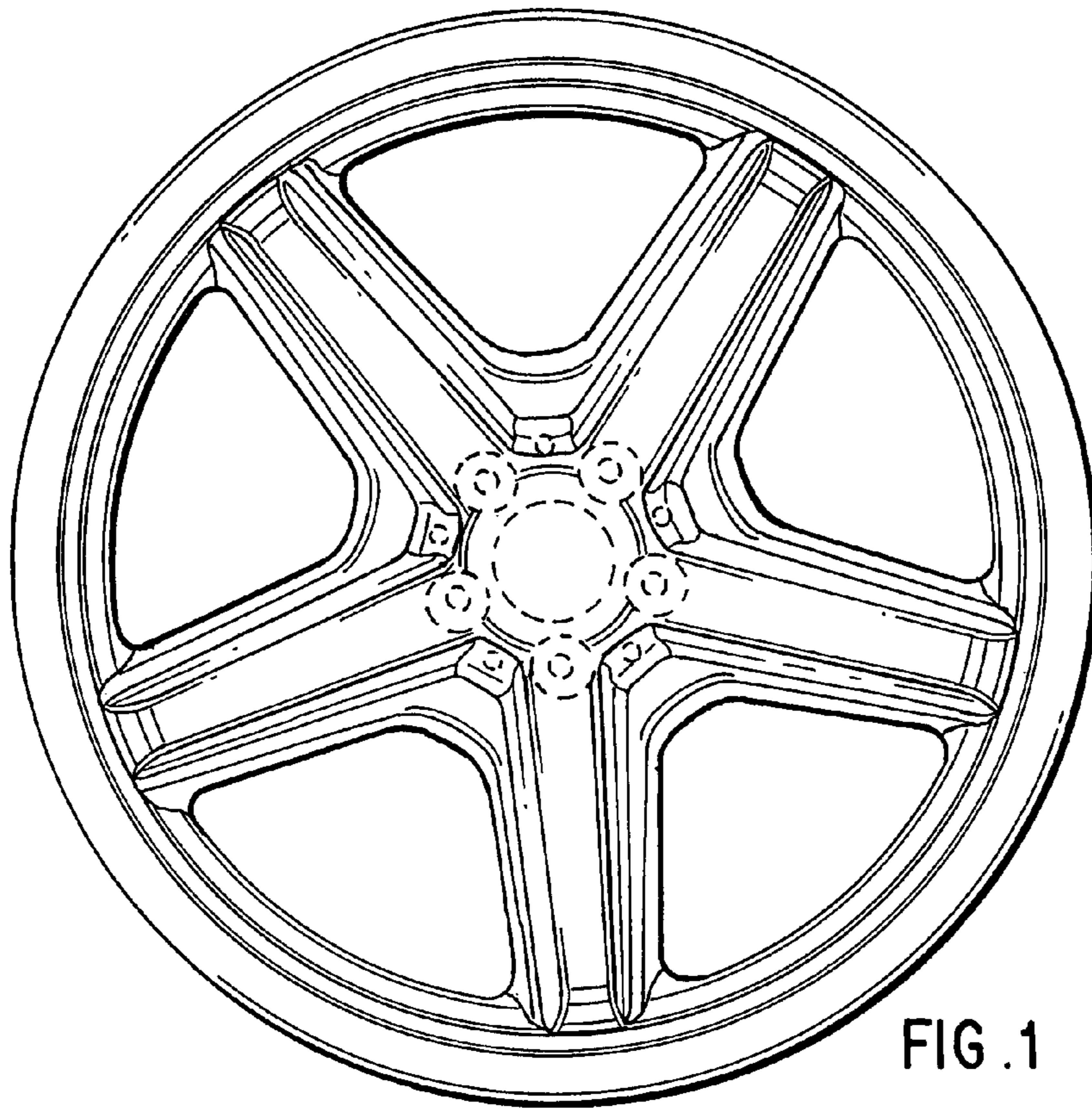


FIG. 1

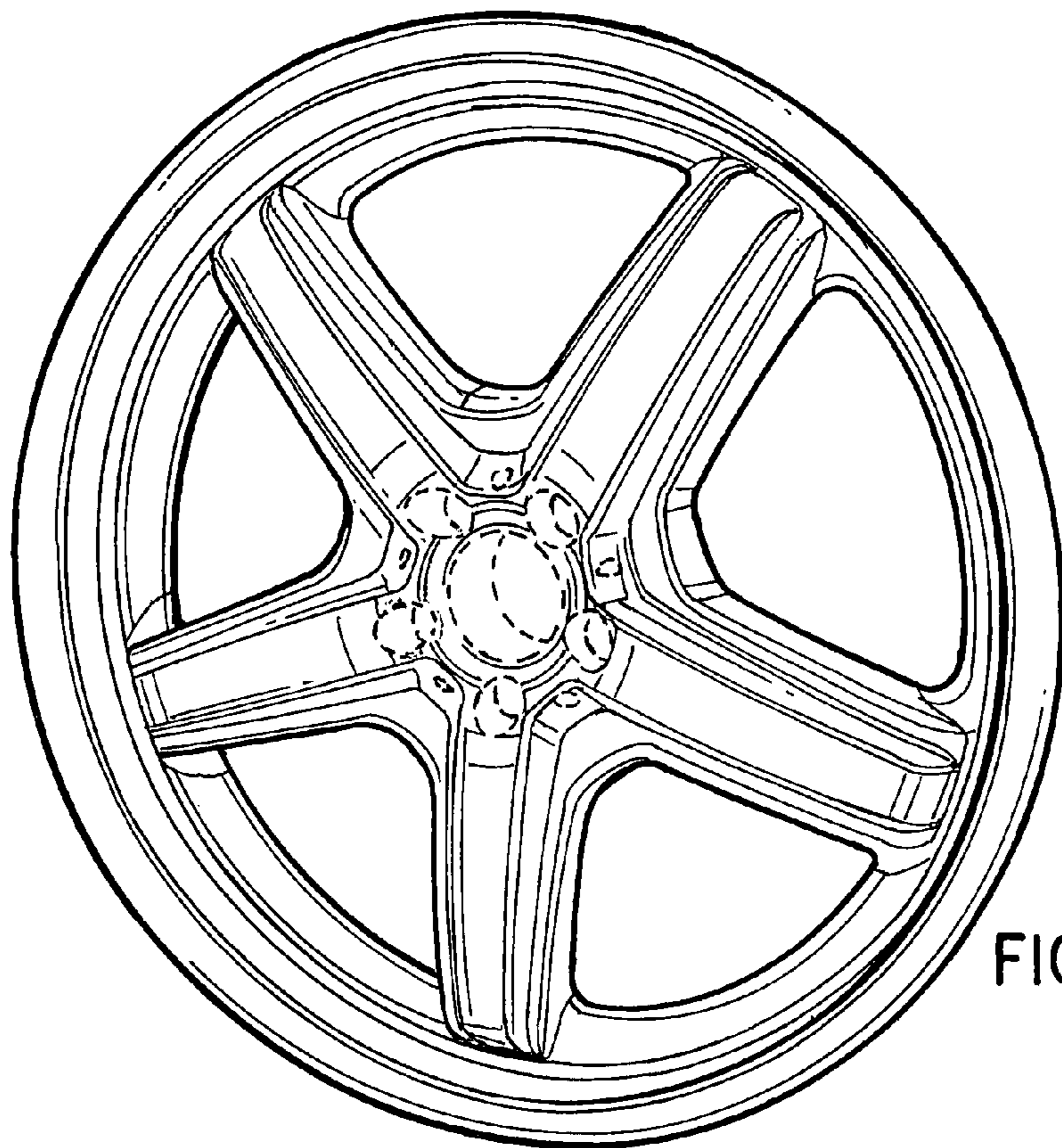


FIG. 2

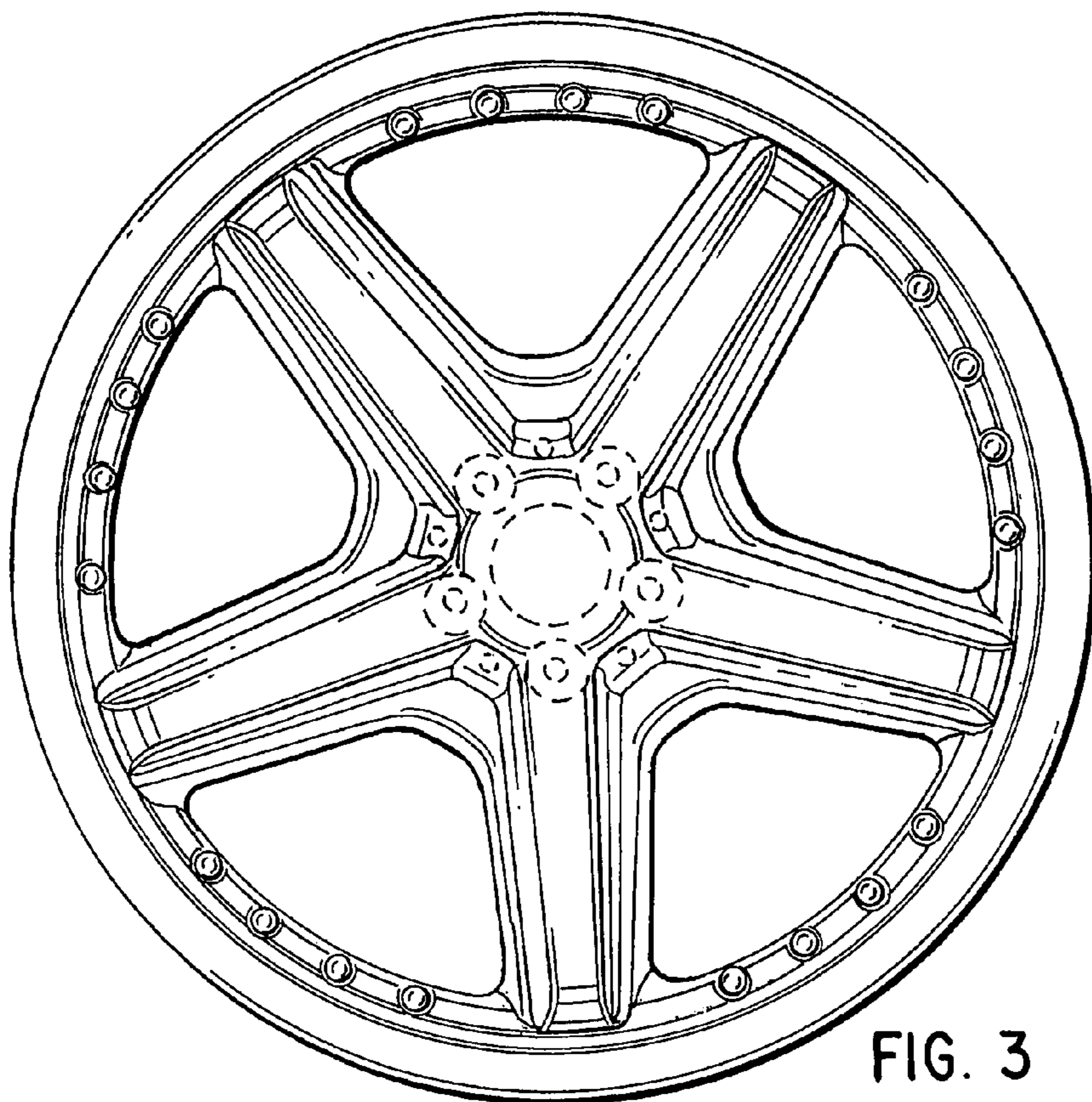


FIG. 3

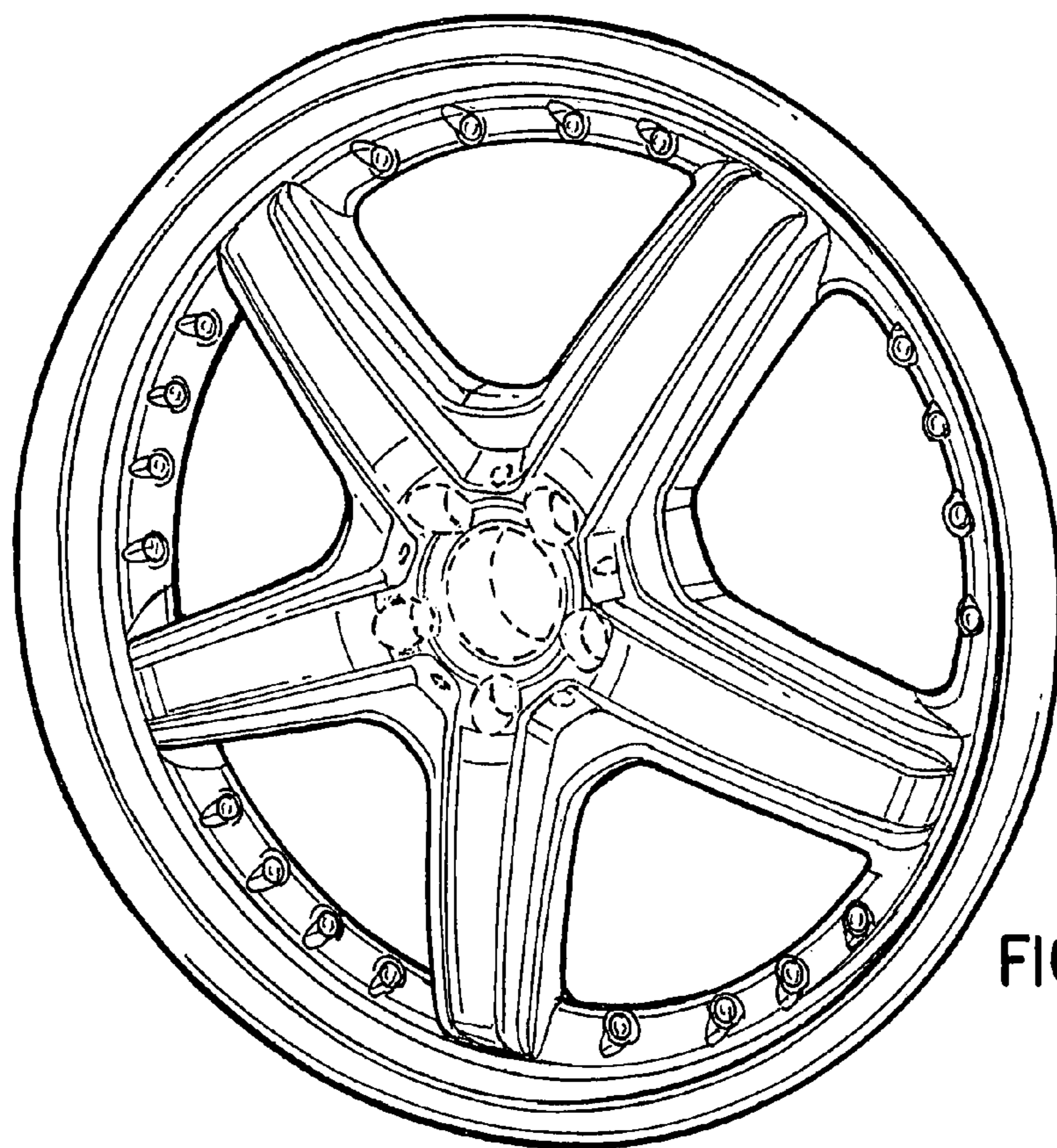


FIG. 4