



US00D582328S

(12) **United States Design Patent**  
**Hieke**

(10) **Patent No.:** **US D582,328 S**  
(45) **Date of Patent:** **\*\* Dec. 9, 2008**

(54) **FRONT FACE OF A VEHICLE WHEEL**

(75) Inventor: **Claus Hieke**, Sindelfingen (DE)

(73) Assignee: **Daimler AG**, Stuttgart (DE)

(\*\*) Term: **14 Years**

(21) Appl. No.: **29/287,576**

(22) Filed: **Aug. 24, 2007**

(30) **Foreign Application Priority Data**

Feb. 27, 2007 (EM) ..... 000677554-0001

(51) **LOC (8) Cl.** ..... **12-16**

(52) **U.S. Cl.** ..... **D12/209**

(58) **Field of Classification Search** ..... D12/204-213;  
301/37.101, 64.101, 65, 64.201

See application file for complete search history.

(56) **References Cited**

**U.S. PATENT DOCUMENTS**

- D410,618 S \* 6/1999 Hussaini et al. .... D12/211
- D420,637 S \* 2/2000 Glade ..... D12/209
- D437,821 S \* 2/2001 Frohlich ..... D12/211
- D504,098 S \* 4/2005 Gallert ..... D12/209

- D542,211 S \* 5/2007 Hieke ..... D12/211
- D542,726 S \* 5/2007 Hieke ..... D12/209
- D544,823 S \* 6/2007 Hieke ..... D12/211
- D569,776 S \* 5/2008 Hieke ..... D12/211

\* cited by examiner

*Primary Examiner*—Stacia Cadmus

(74) *Attorney, Agent, or Firm*—Crowell & Moring LLP

(57) **CLAIM**

The ornamental design for a front face of a vehicle wheel, as shown and described.

**DESCRIPTION**

FIG. 1 is a front view of a first embodiment of a front face of a vehicle wheel according to my novel design; and

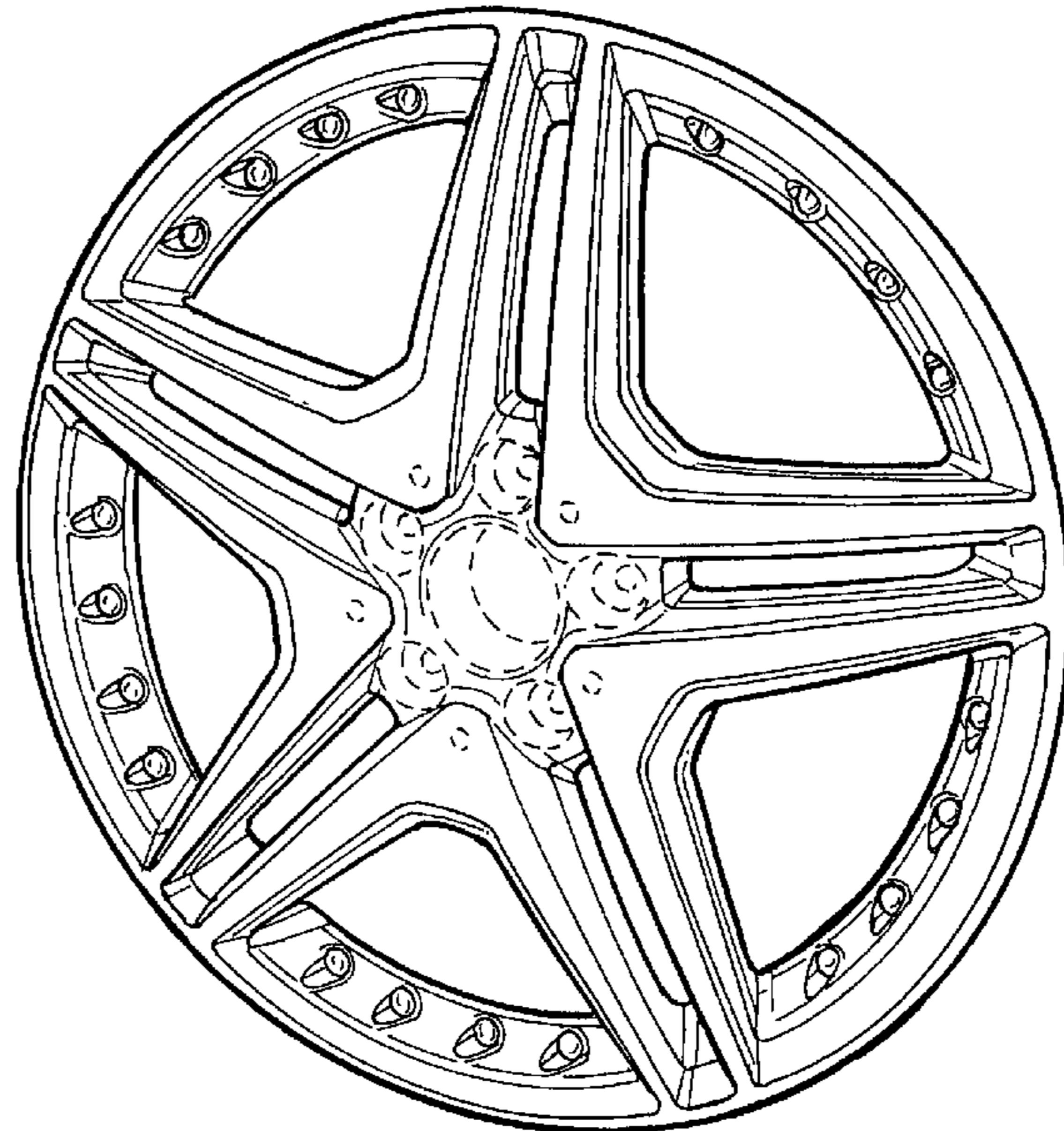
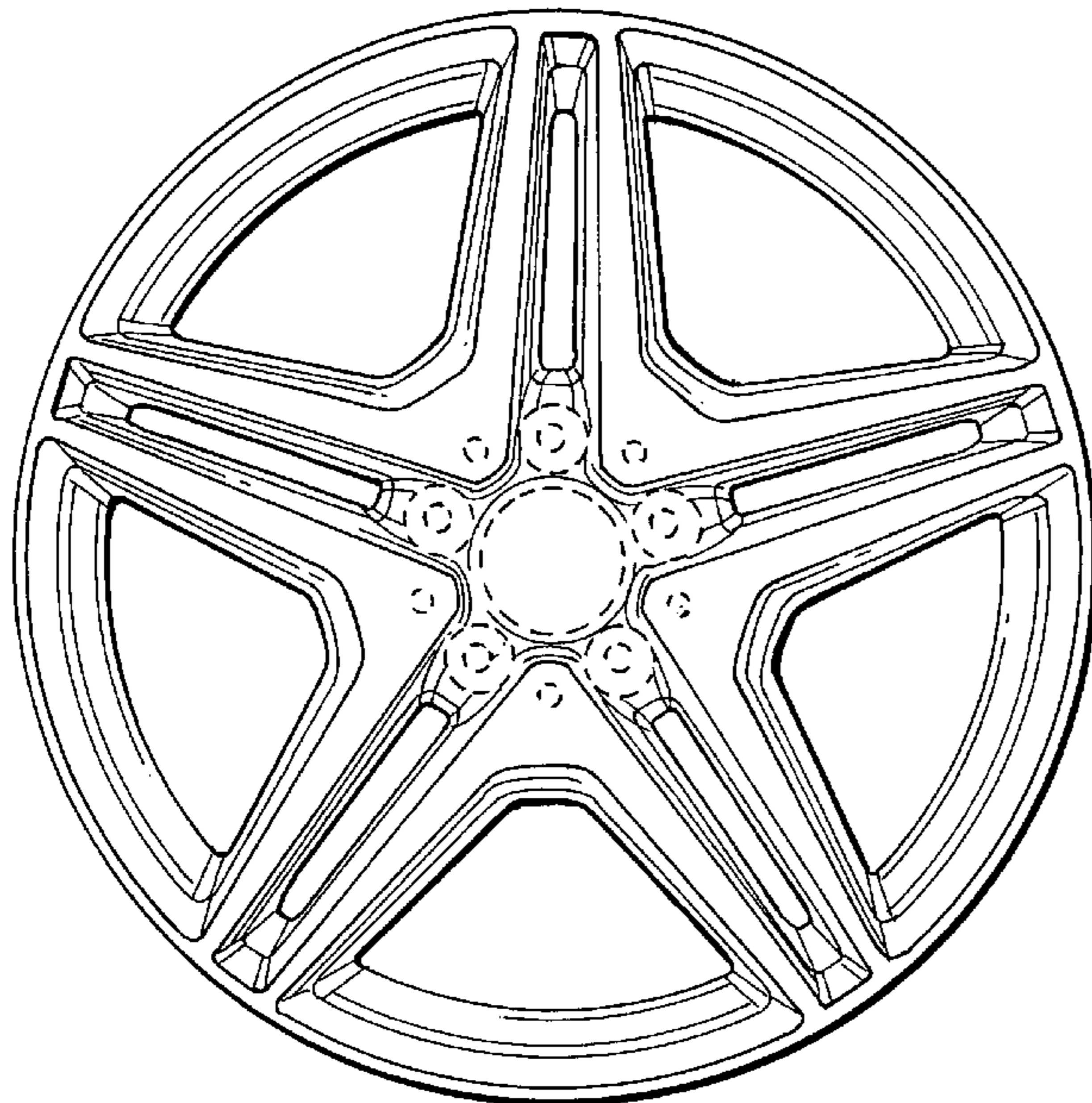
FIG. 2 is a perspective view thereof.

FIG. 3 is a front view of a second embodiment of the front face of a vehicle wheel according to my novel design; and,

FIG. 4 is a perspective view thereof.

The broken line showing of the central hub area is included for the purpose of illustrating environment and forms no part of the claimed design.

**1 Claim, 2 Drawing Sheets**



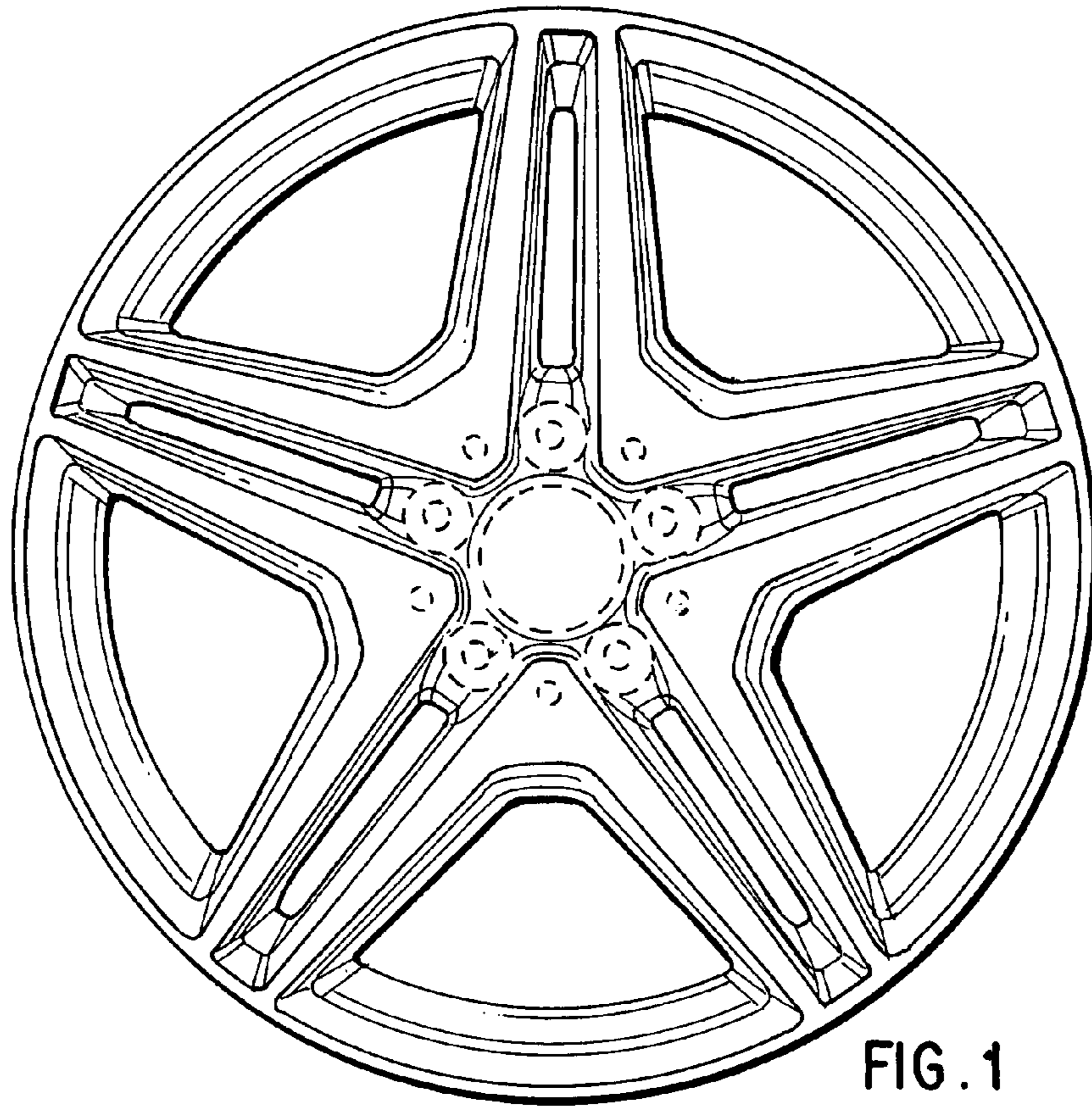


FIG. 1

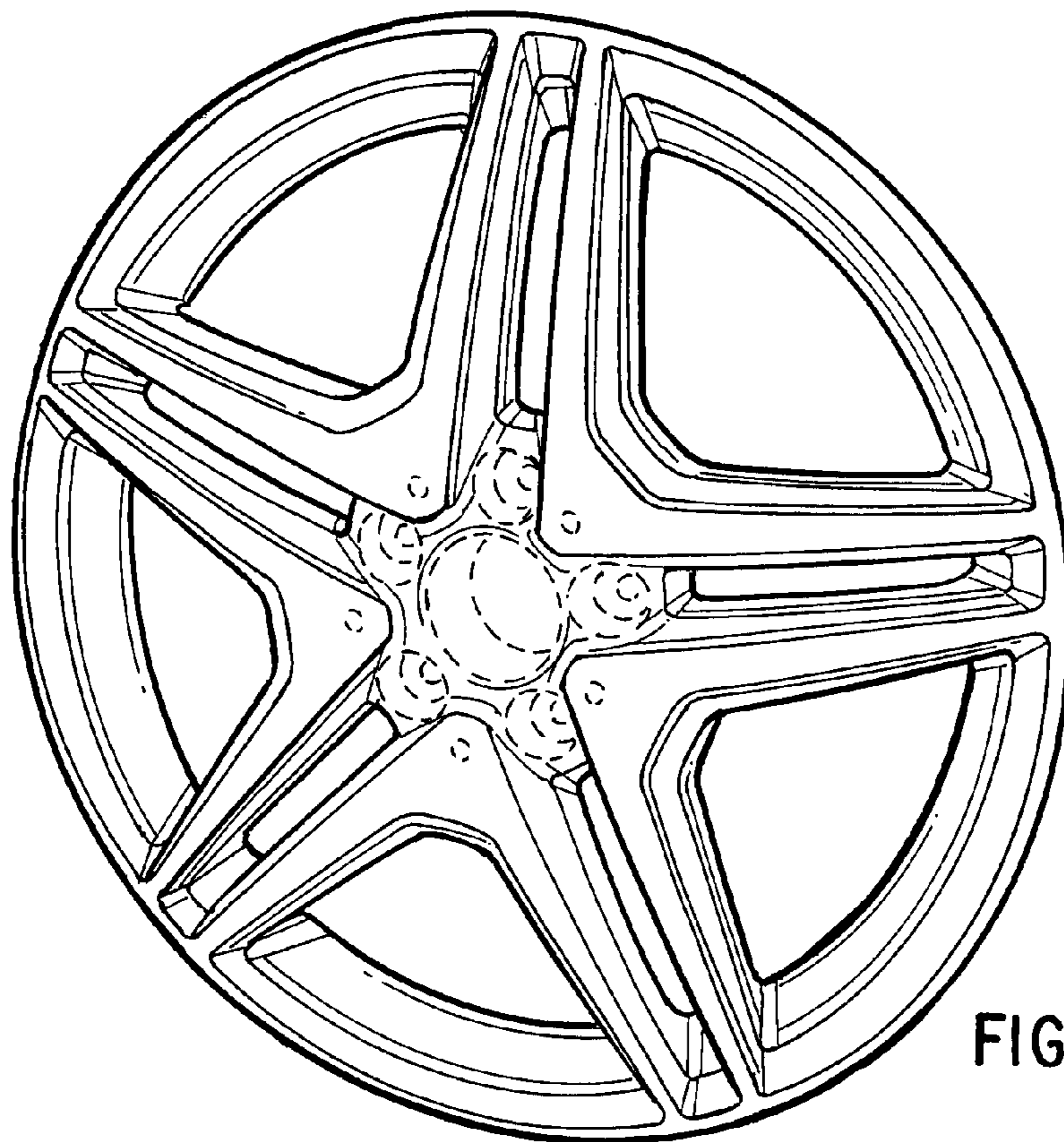


FIG. 2

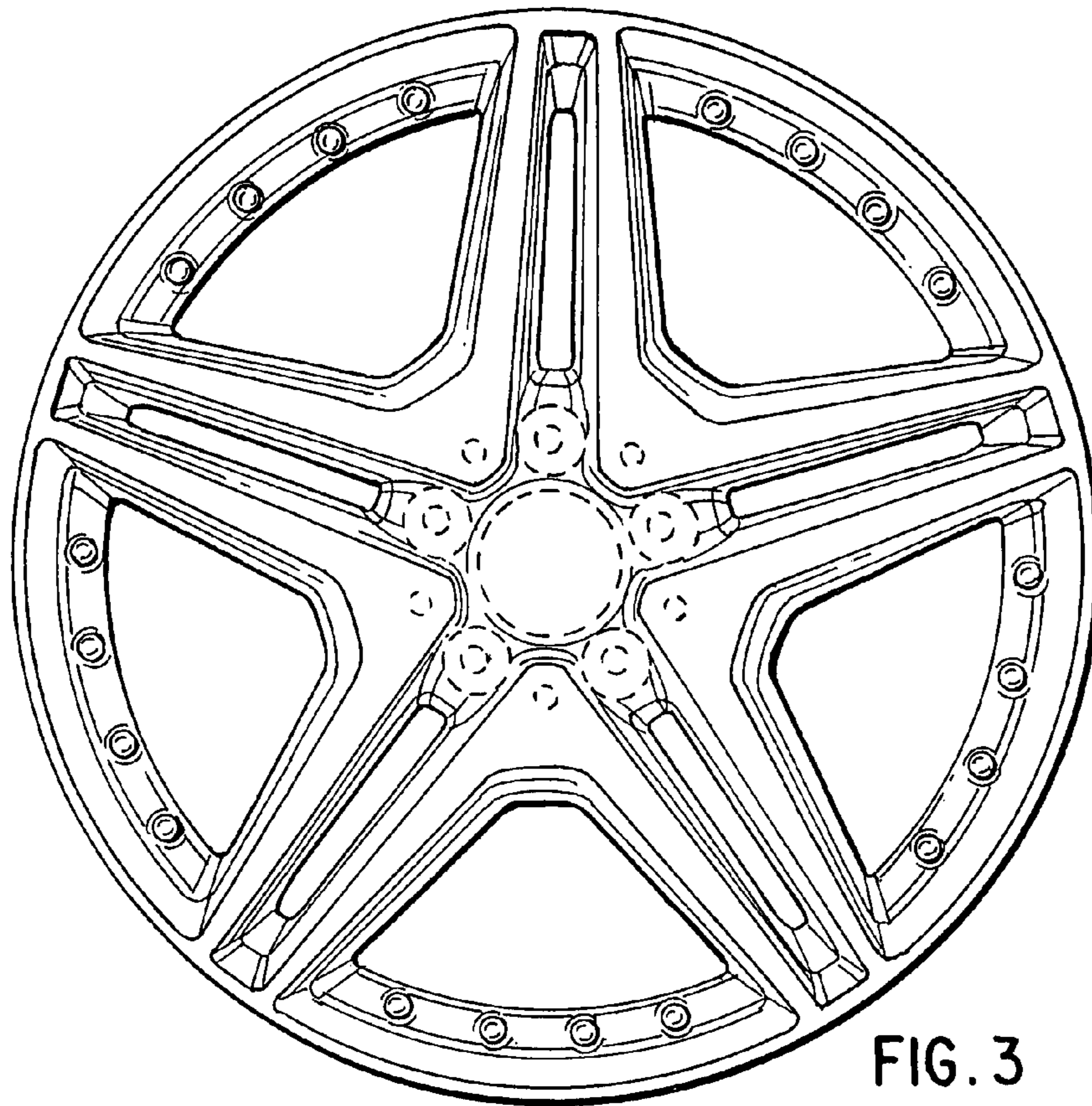


FIG. 3

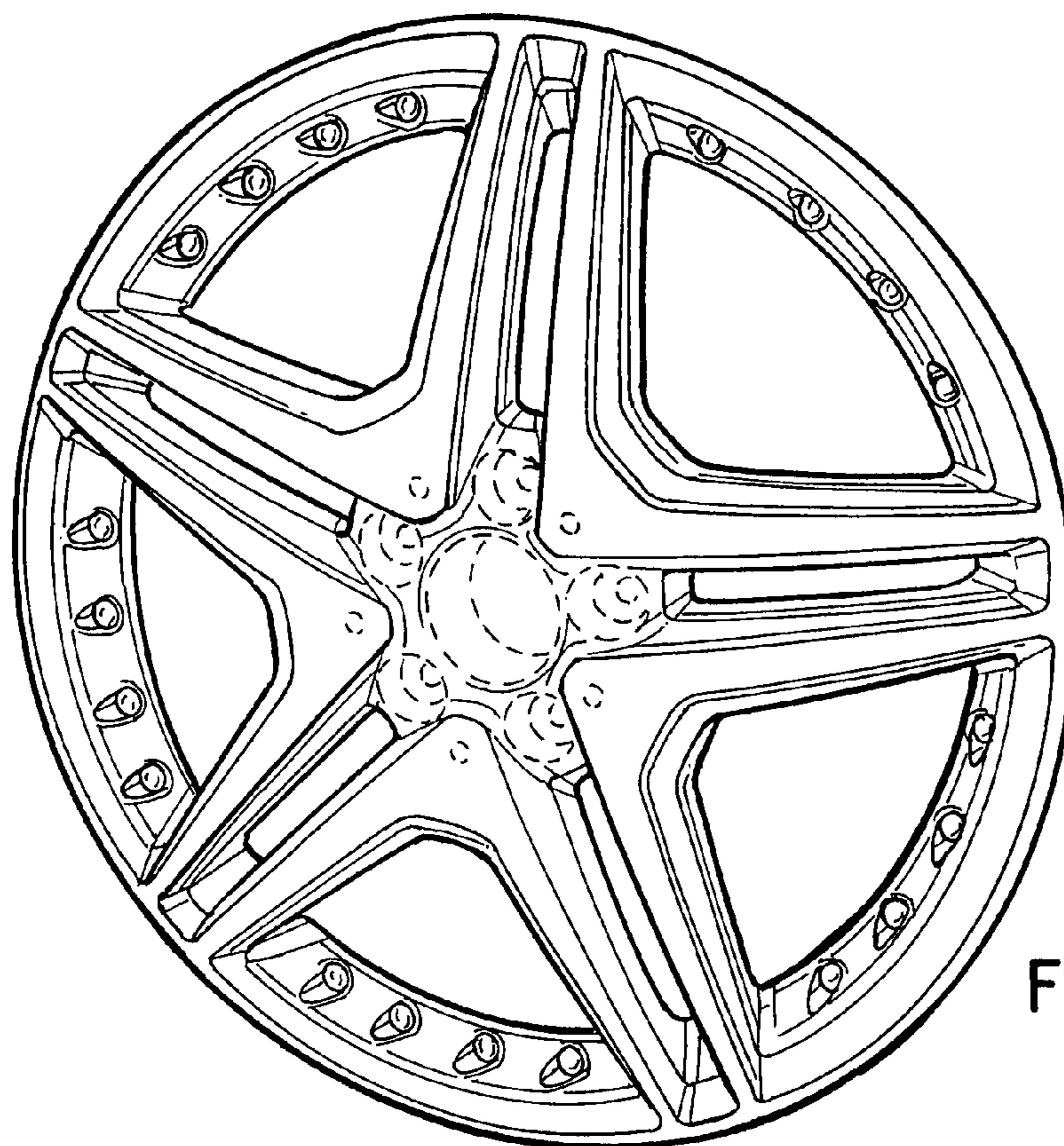


FIG. 4