



US00D582322S

(12) **United States Design Patent**
Nguan

(10) **Patent No.:** **US D582,322 S**
(45) **Date of Patent:** **** Dec. 9, 2008**

(54) **FRONT DERAILLEUR**

2005/0143206 A1 6/2005 Tetsuka et al.

(75) Inventor: **Pang Song Nguan**, Singapore (SG)

* cited by examiner

(73) Assignee: **Shimano (Singapore) Pte., Ltd.**, Jurong Town (SG)

Primary Examiner—Ian Simmons
Assistant Examiner—Linda Brooks

(74) *Attorney, Agent, or Firm*—Global IP Counselors, LLP

(**) Term: **14 Years**

(57) **CLAIM**

(21) Appl. No.: **29/280,644**

The ornamental design for a front derailleur, as shown and described.

(22) Filed: **Jun. 4, 2007**

(30) **Foreign Application Priority Data**

DESCRIPTION

Feb. 6, 2007 (EM) 000666219-0005

FIG. 1 is an outside perspective view of a front derailleur in accordance with my new design;

(51) **LOC (8) Cl.** **12-11**

FIG. 2 is an outside elevational view of the front derailleur in accordance with my new design;

(52) **U.S. Cl.** **D12/124**

(58) **Field of Classification Search** D12/111,
D12/124; 474/140, 78-82

FIG. 3 is an inside elevational view of the front derailleur in accordance with my new design;

See application file for complete search history.

FIG. 4 is a rear end elevational view of the front derailleur in accordance with my new design;

(56) **References Cited**

FIG. 5 is a front end elevational view of the front derailleur in accordance with my new design;

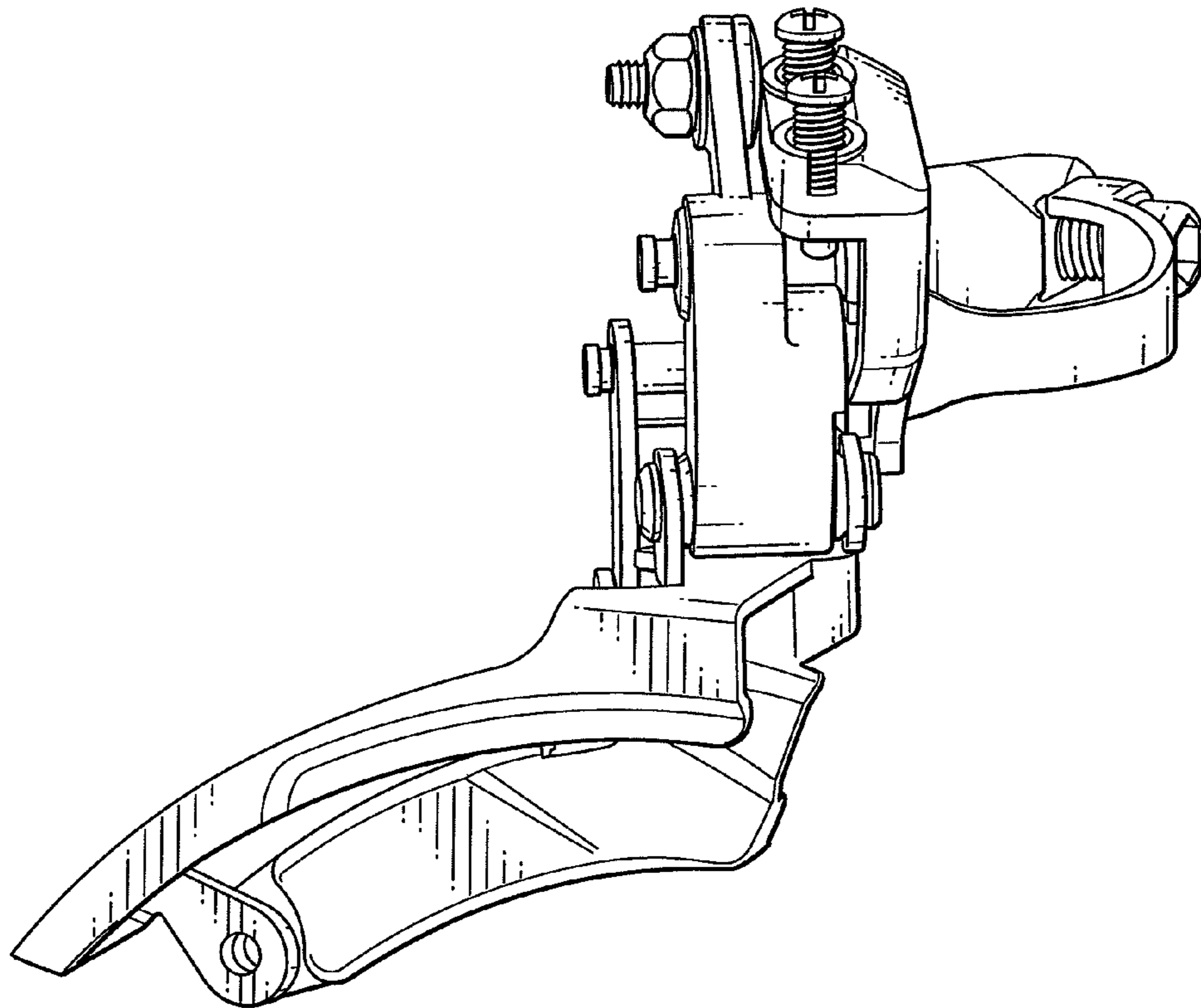
U.S. PATENT DOCUMENTS

FIG. 6 is a top plan view of the front derailleur in accordance with my new design; and,

4,756,704 A	7/1988	Nagano	
5,104,358 A *	4/1992	Kobayashi	474/82
6,146,298 A *	11/2000	Nanko	474/80
6,270,124 B1	8/2001	Nanko	
6,641,495 B2 *	11/2003	Valle	474/80
6,902,503 B2	6/2005	Nanko	
D555,050 S *	11/2007	Hanamura	D12/124

FIG. 7 is a bottom plan view of the front derailleur in accordance with my new design.

1 Claim, 6 Drawing Sheets



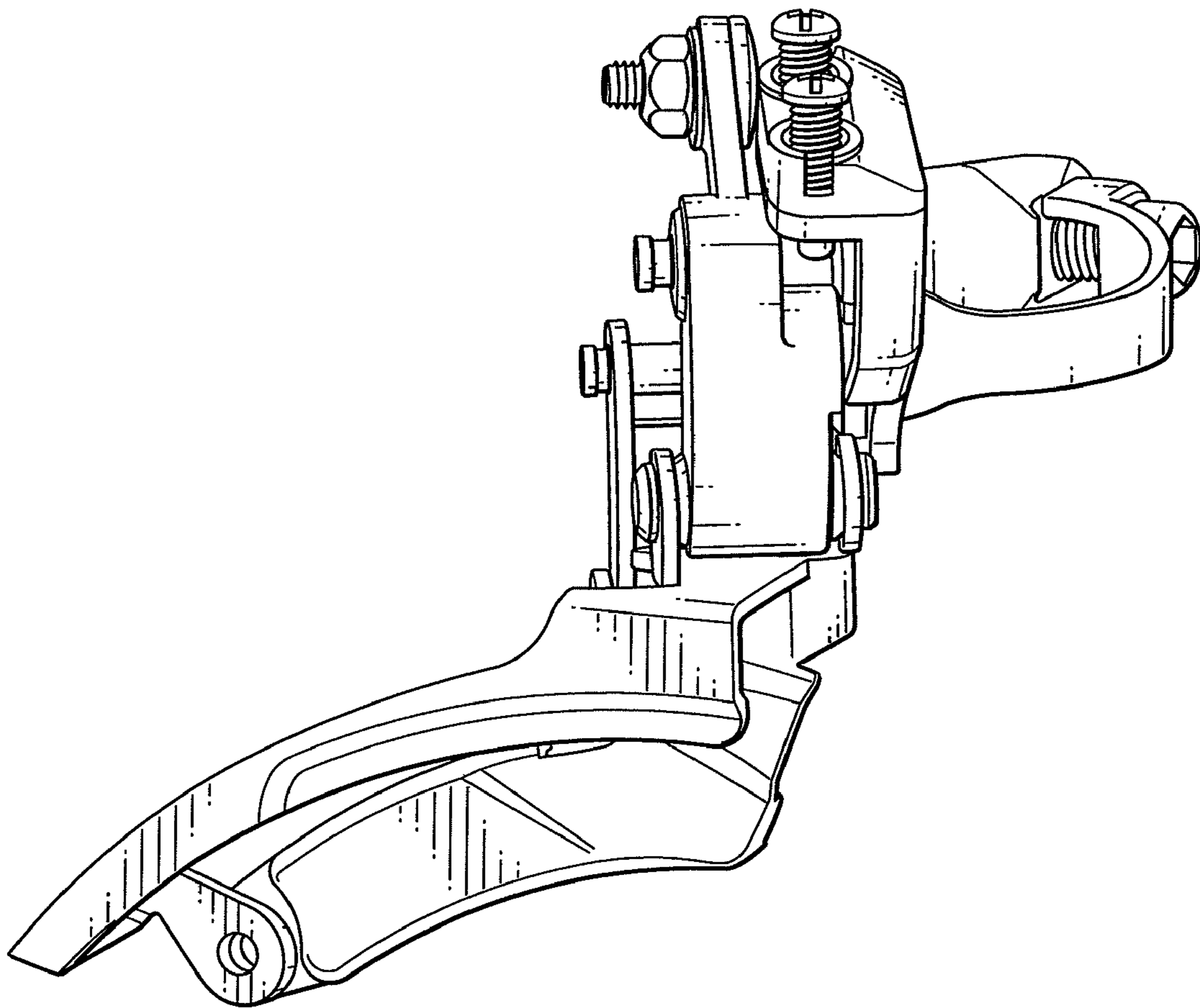


FIG. 1

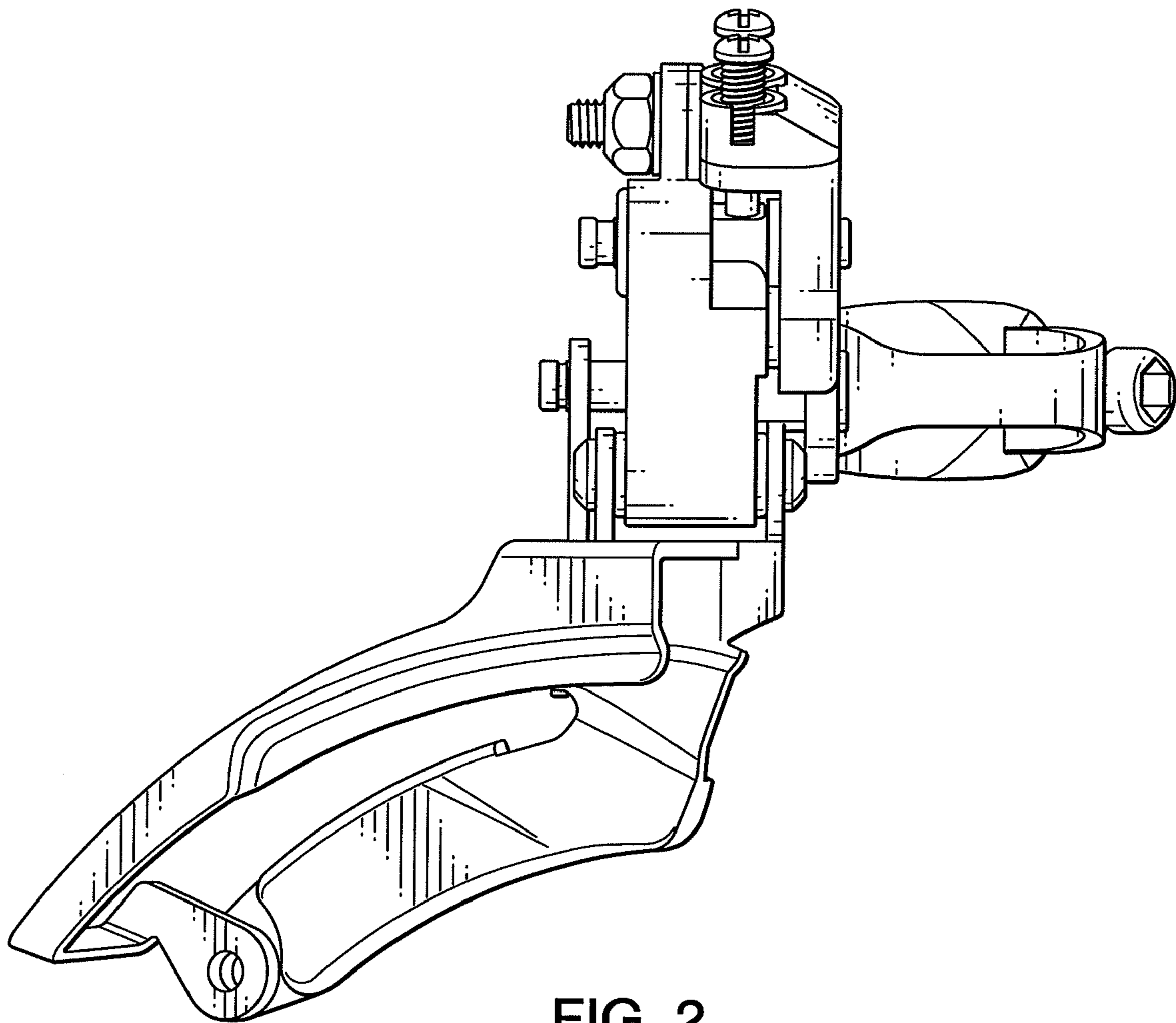


FIG. 2

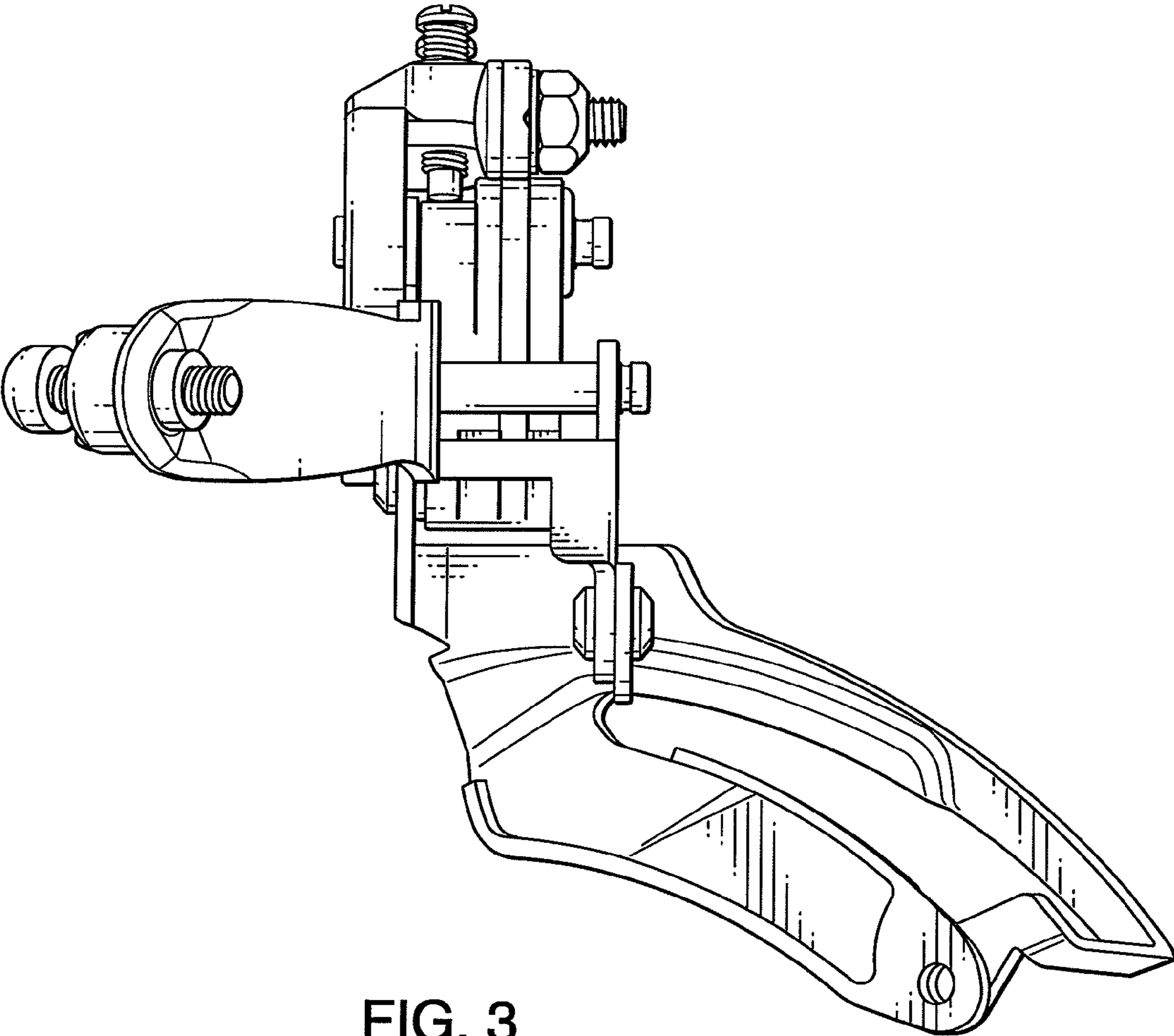


FIG. 3

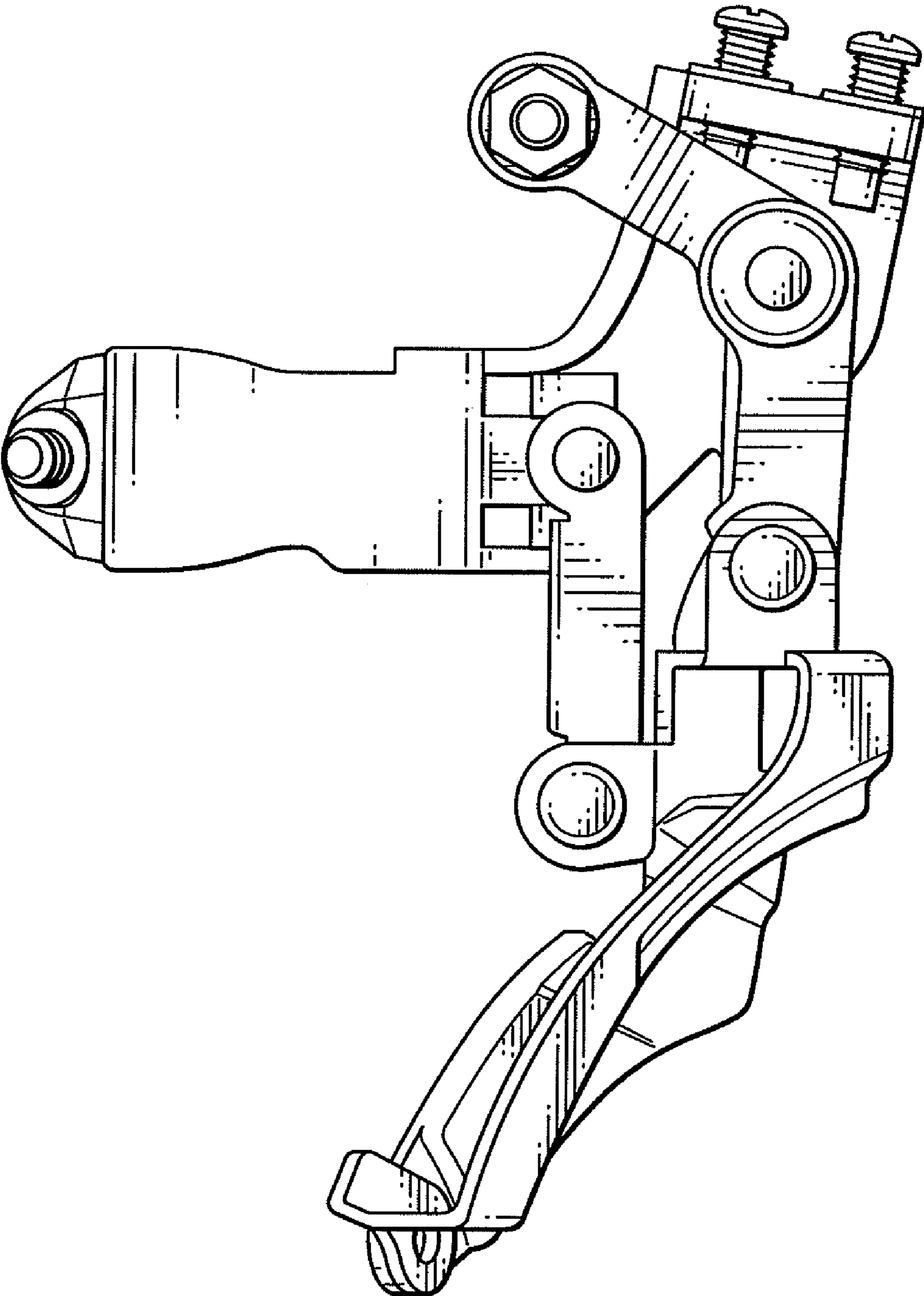


FIG. 4

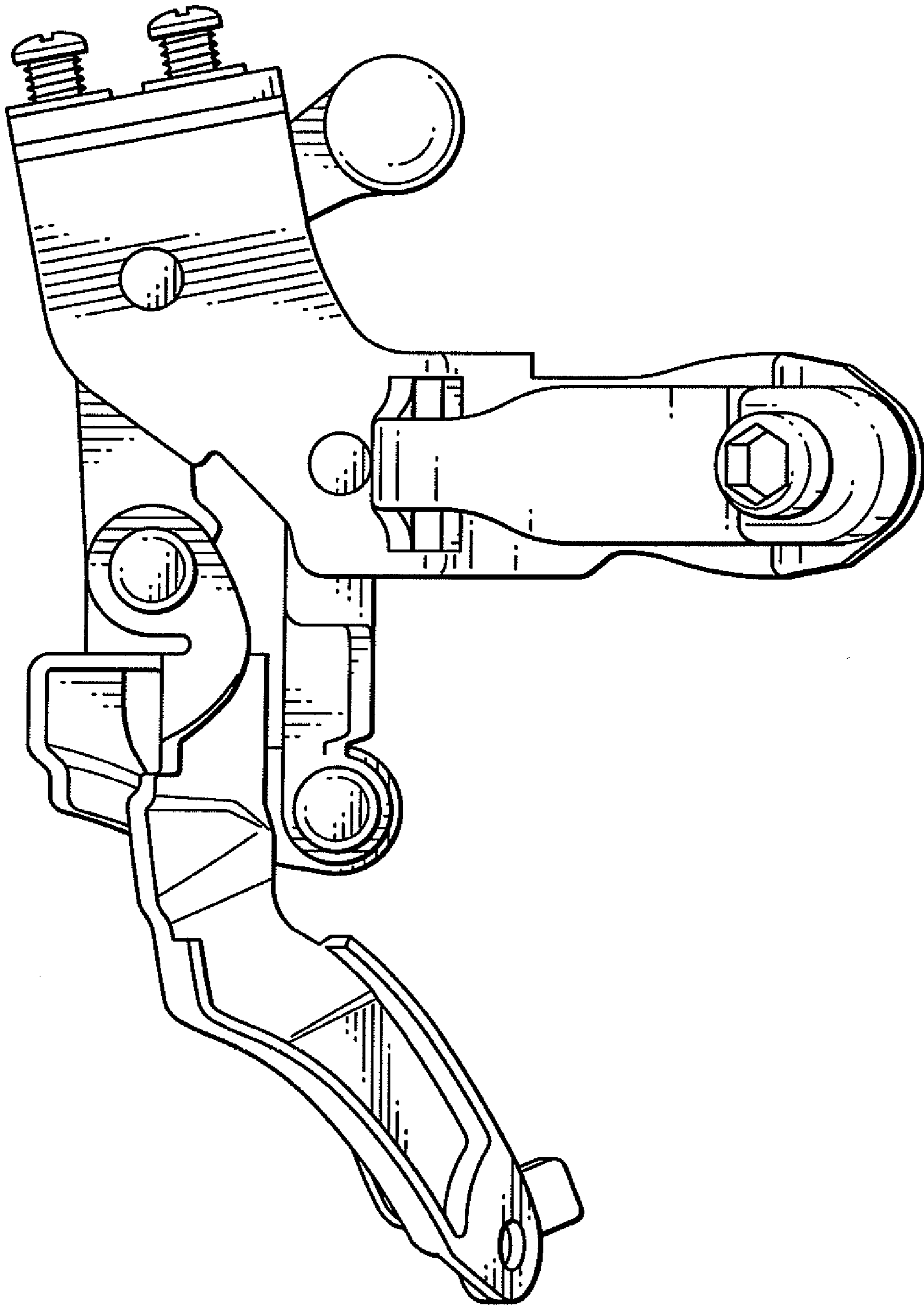


FIG. 5

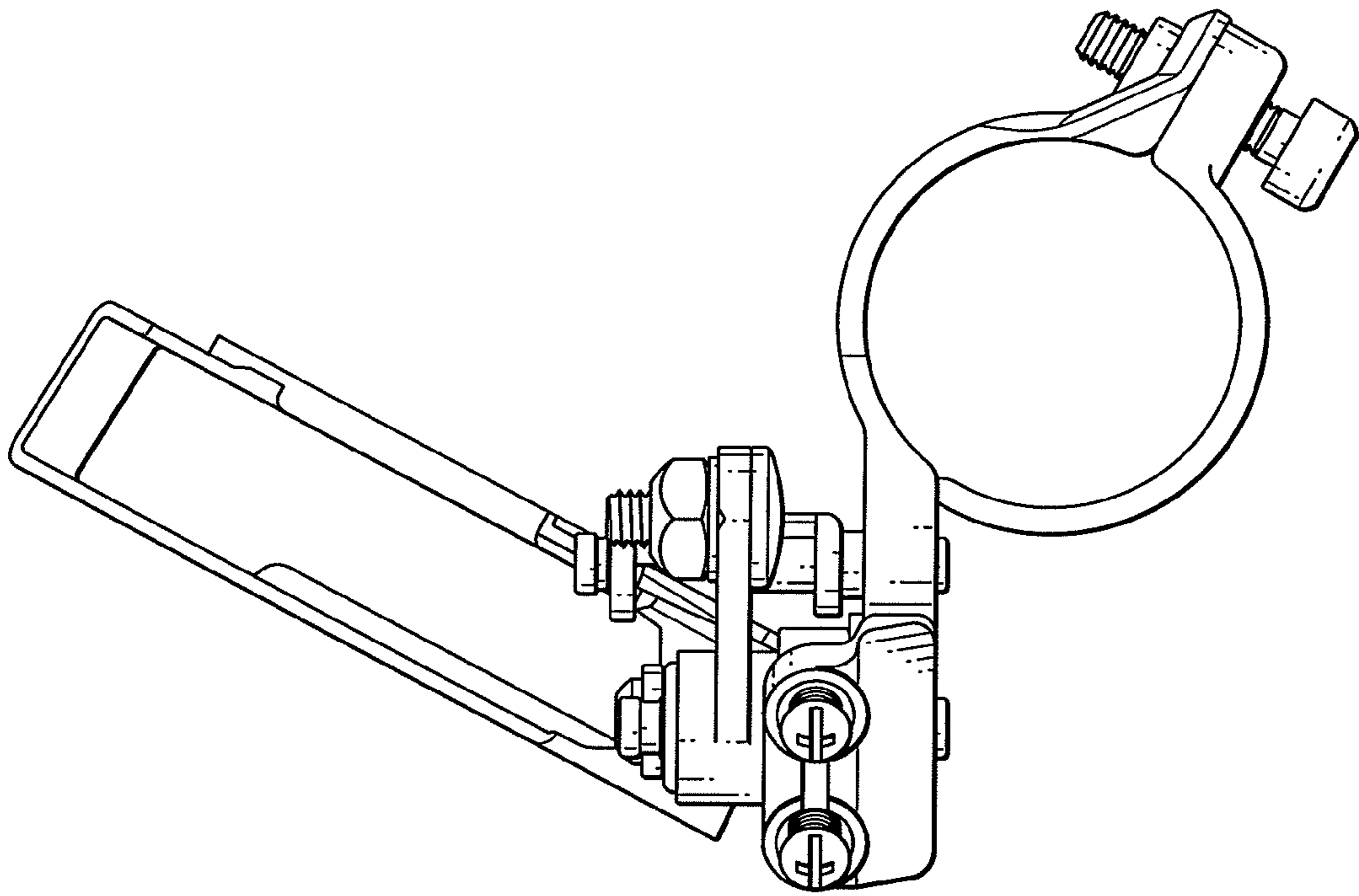


FIG. 6

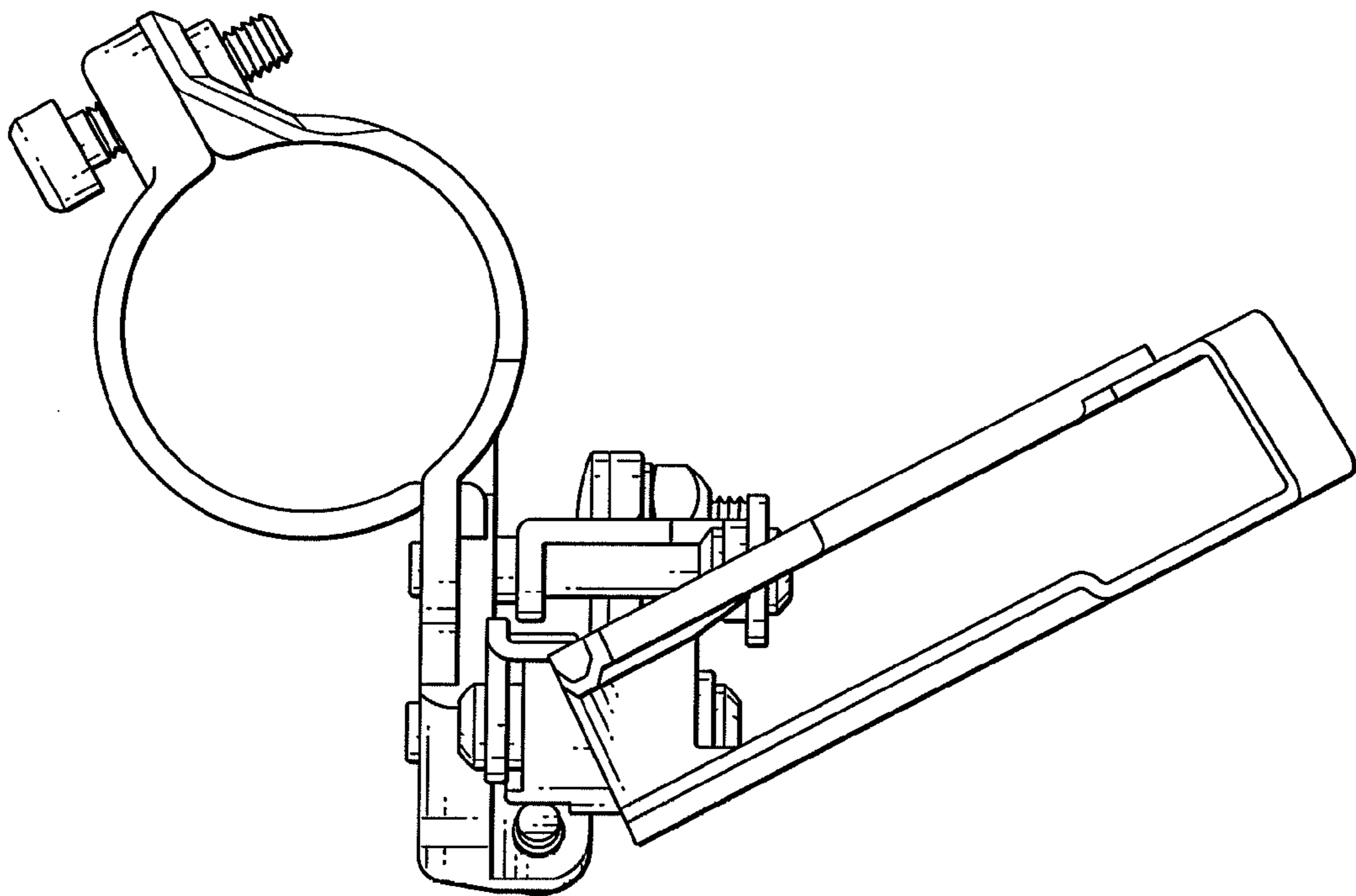


FIG. 7