



US00D582319S

(12) **United States Design Patent**
Miwa et al.

(10) **Patent No.:** **US D582,319 S**
(45) **Date of Patent:** **** Dec. 9, 2008**

(54) **MOTORCYCLE**

D567,148 S * 4/2008 Inose et al. D12/110

(75) Inventors: **Koji Miwa**, Wako (JP); **Masato Nagata**,
Wako (JP); **Bruno Conte**, Torrance, CA
(US); **Ramon Meneses**, Torrance, CA
(US)

* cited by examiner

Primary Examiner—Cathron Brooks
Assistant Examiner—Linda Brooks
(74) *Attorney, Agent, or Firm*—Birch, Stewart, Kolasch &
Birch, LLP

(73) Assignee: **Honda Motor Co., Ltd.**, Tokyo (JP)

(**) Term: **14 Years**

(57) **CLAIM**

(21) Appl. No.: **29/300,273**

The ornamental design for a motorcycle, as shown and described.

(22) Filed: **Mar. 6, 2008**

DESCRIPTION

(51) **LOC (8) Cl.** **12-11**

(52) **U.S. Cl.** **D12/110**

(58) **Field of Classification Search** D12/110;
180/219

See application file for complete search history.

FIG. 1 is a front perspective view of a motorcycle (by line drawing), showing our new design;
FIG. 2 is a rear perspective view thereof;
FIG. 3 is a front elevation view thereof;
FIG. 4 is a rear elevation view thereof;
FIG. 5 is a top plan view thereof;
FIG. 6 is a right side elevation view thereof; and,
FIG. 7 is a left side elevation view thereof.

(56) **References Cited**

U.S. PATENT DOCUMENTS

D511,718 S *	11/2005	Manchester et al.	D12/110
D524,192 S *	7/2006	Sugimoto	D12/110
D525,919 S *	8/2006	Sugimoto	D12/110
D550,591 S *	9/2007	Mugikura	D12/110

1 Claim, 7 Drawing Sheets

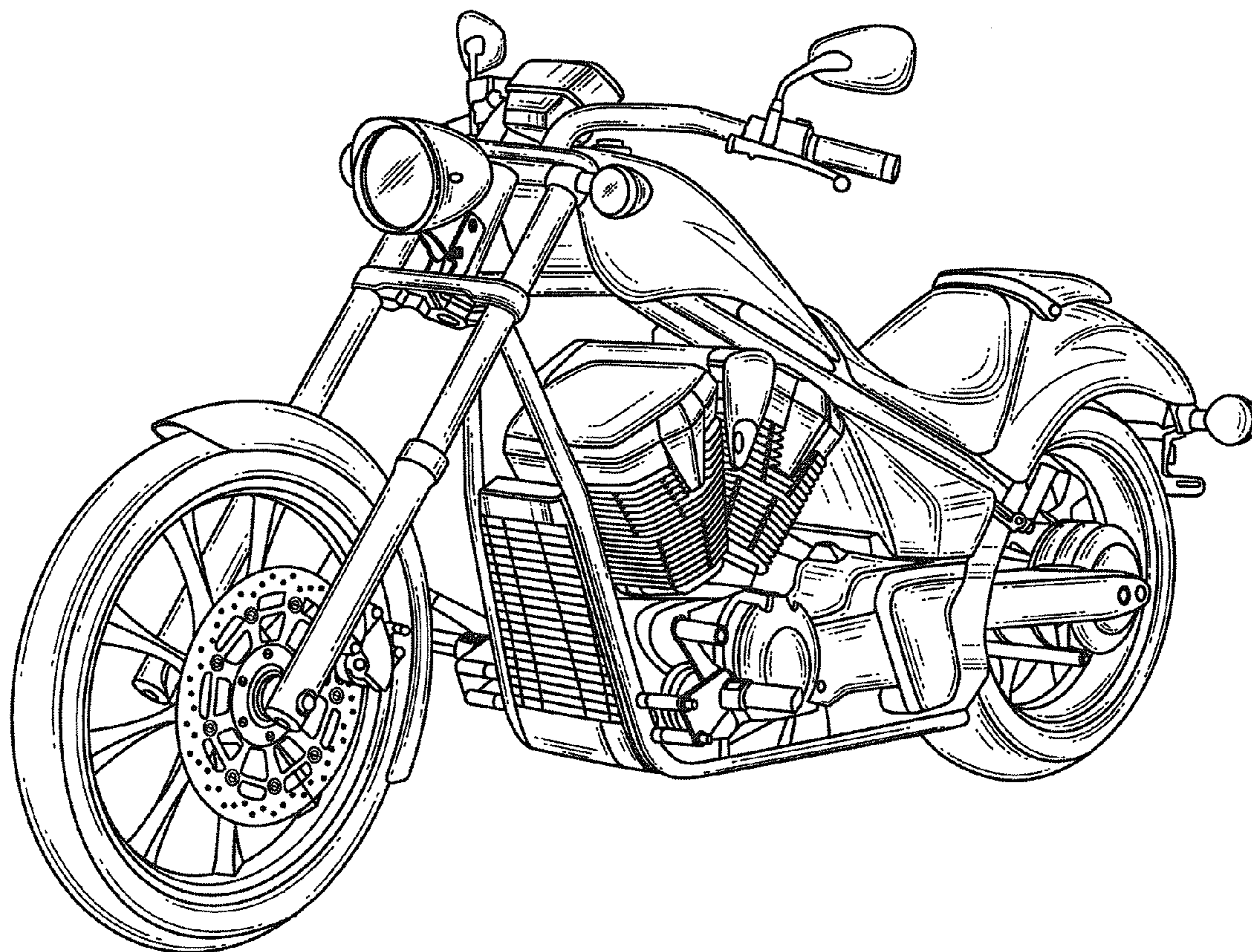


Fig.1

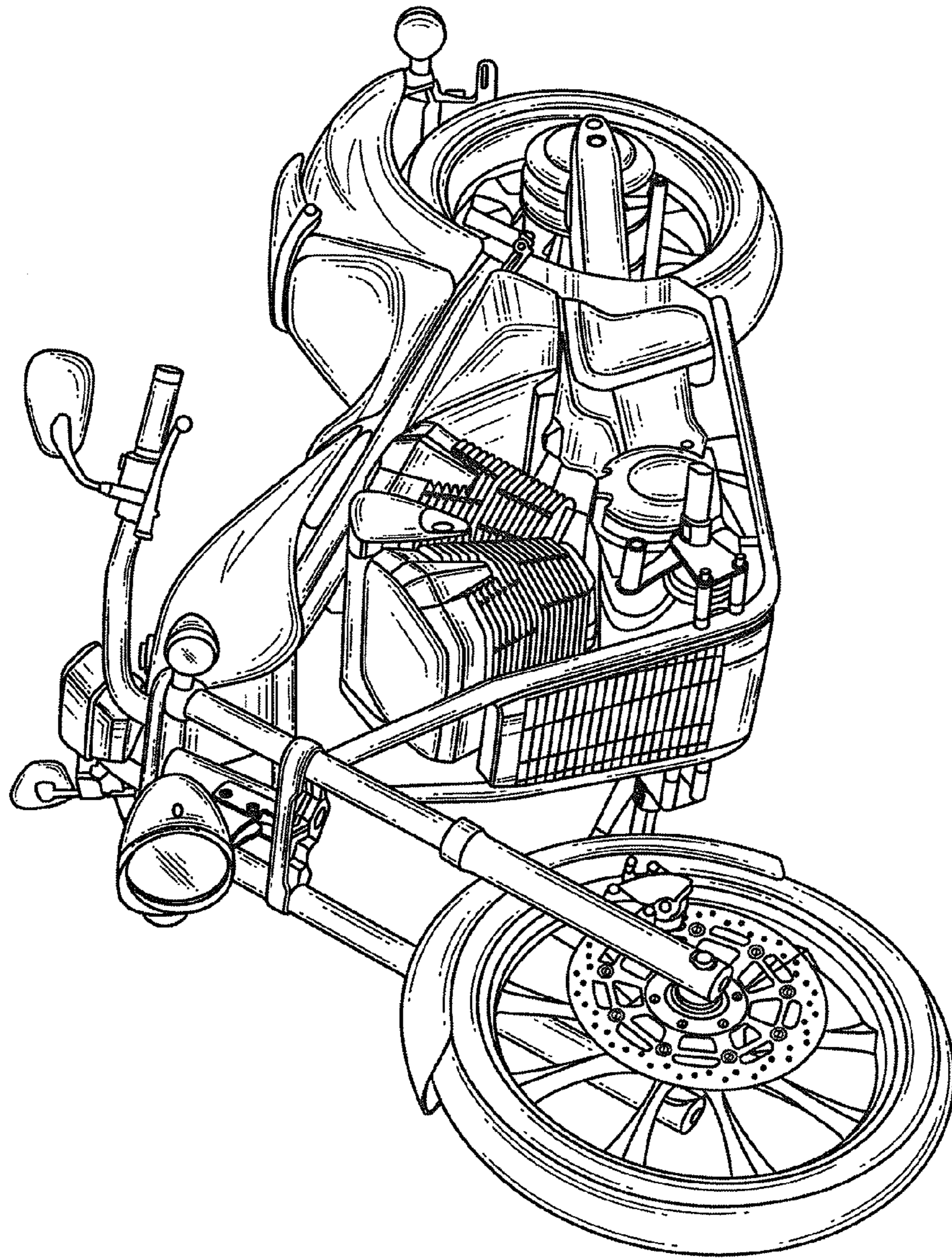


Fig.2

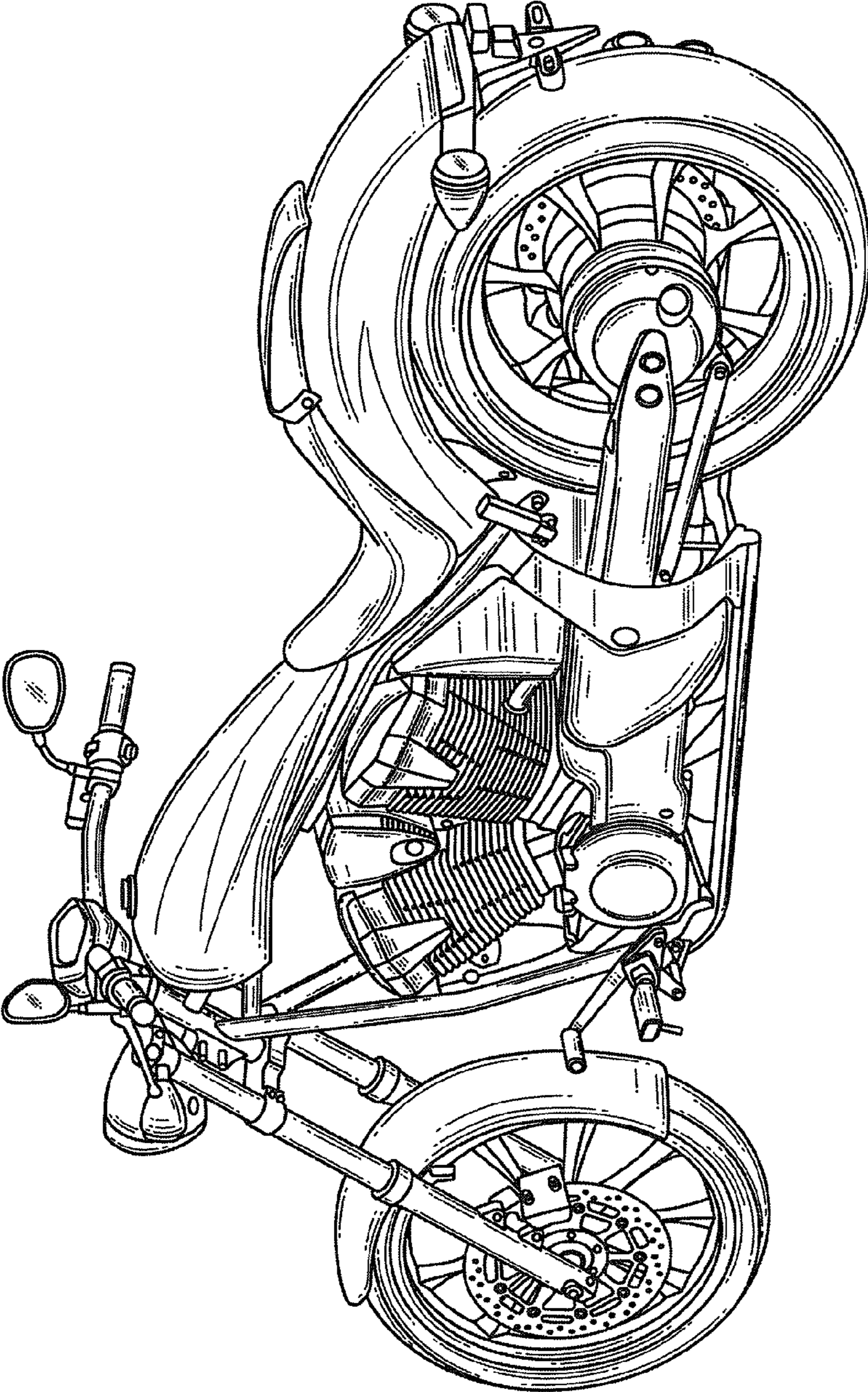


Fig.3

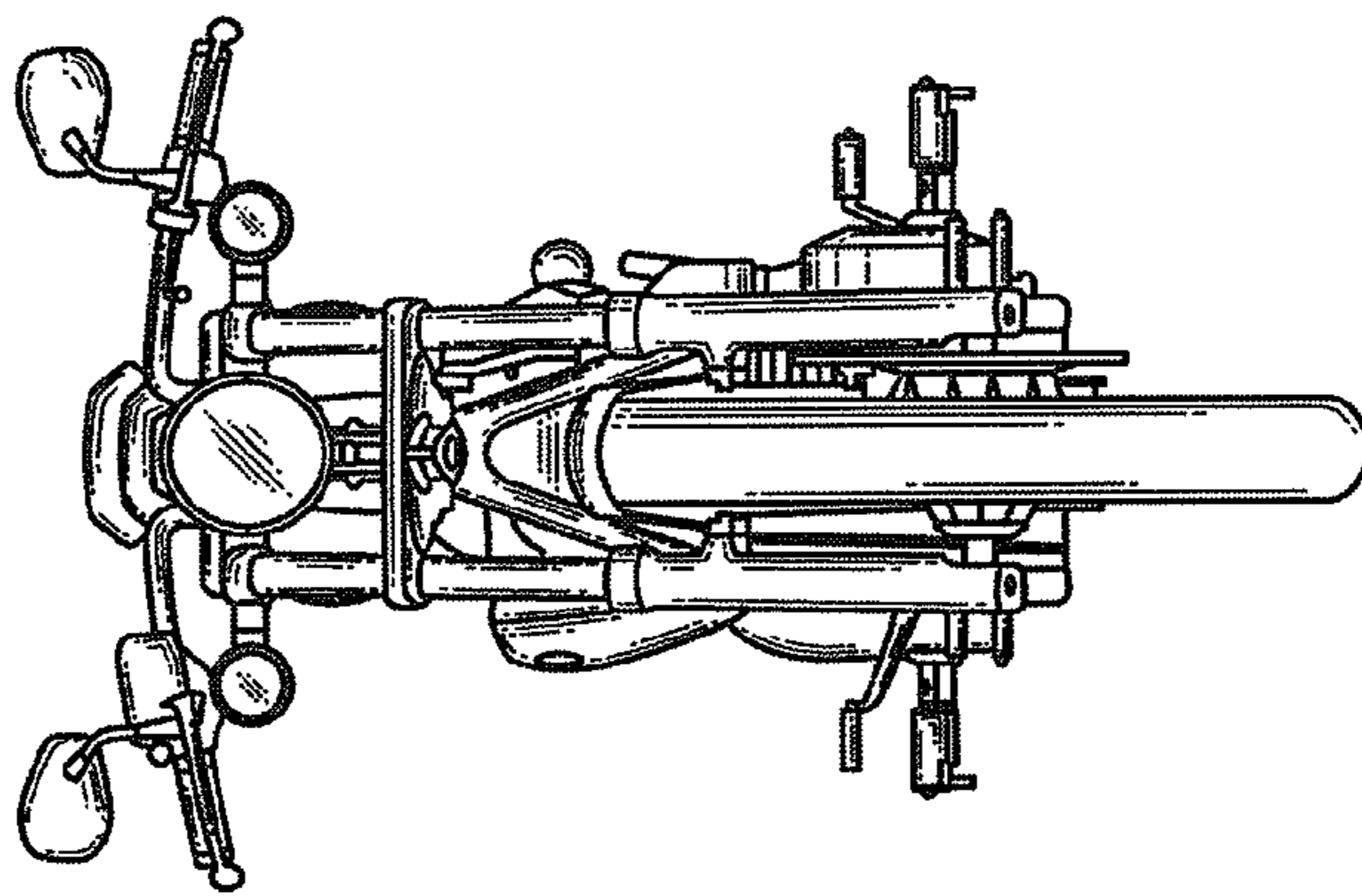


Fig.4

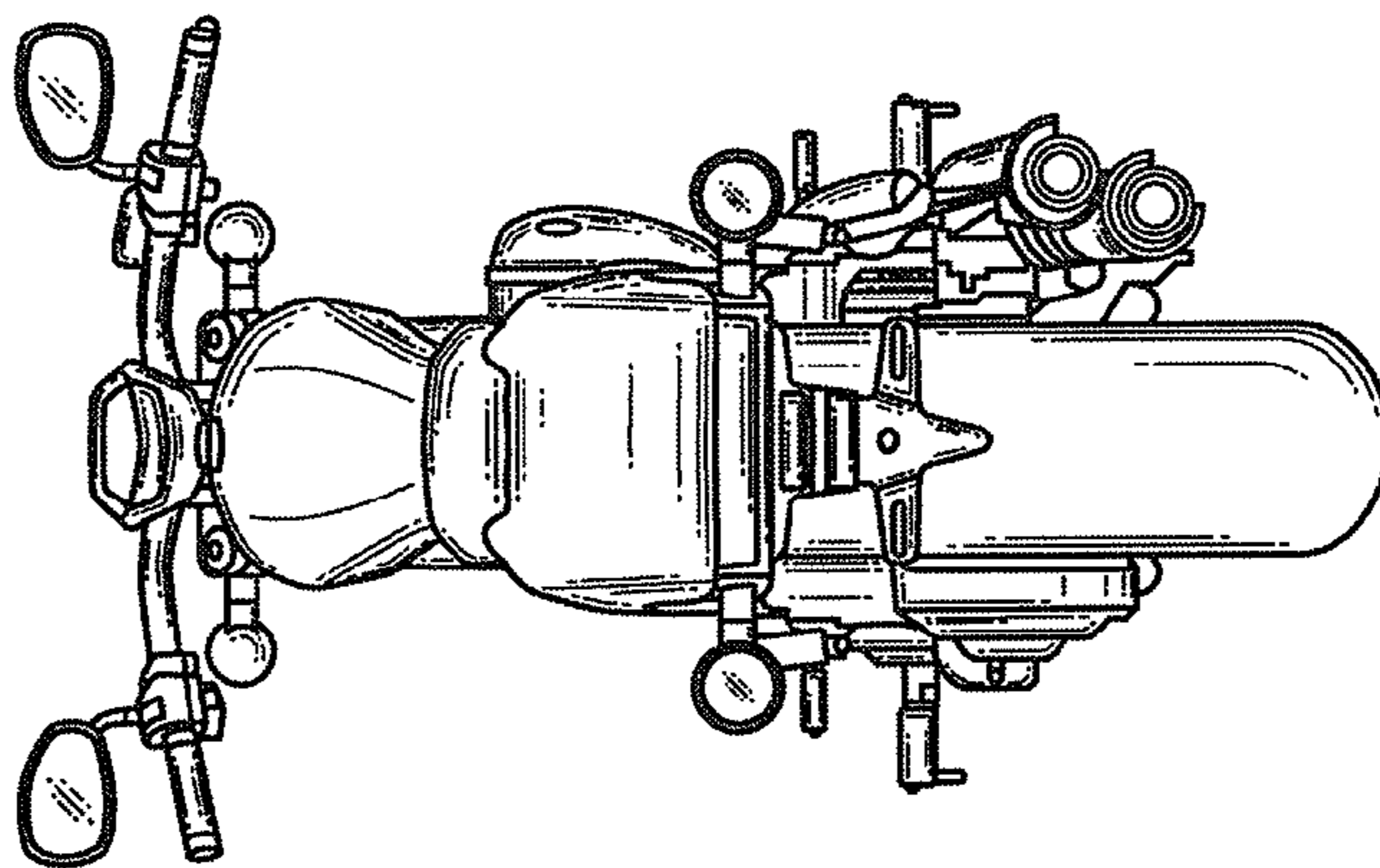


Fig.5

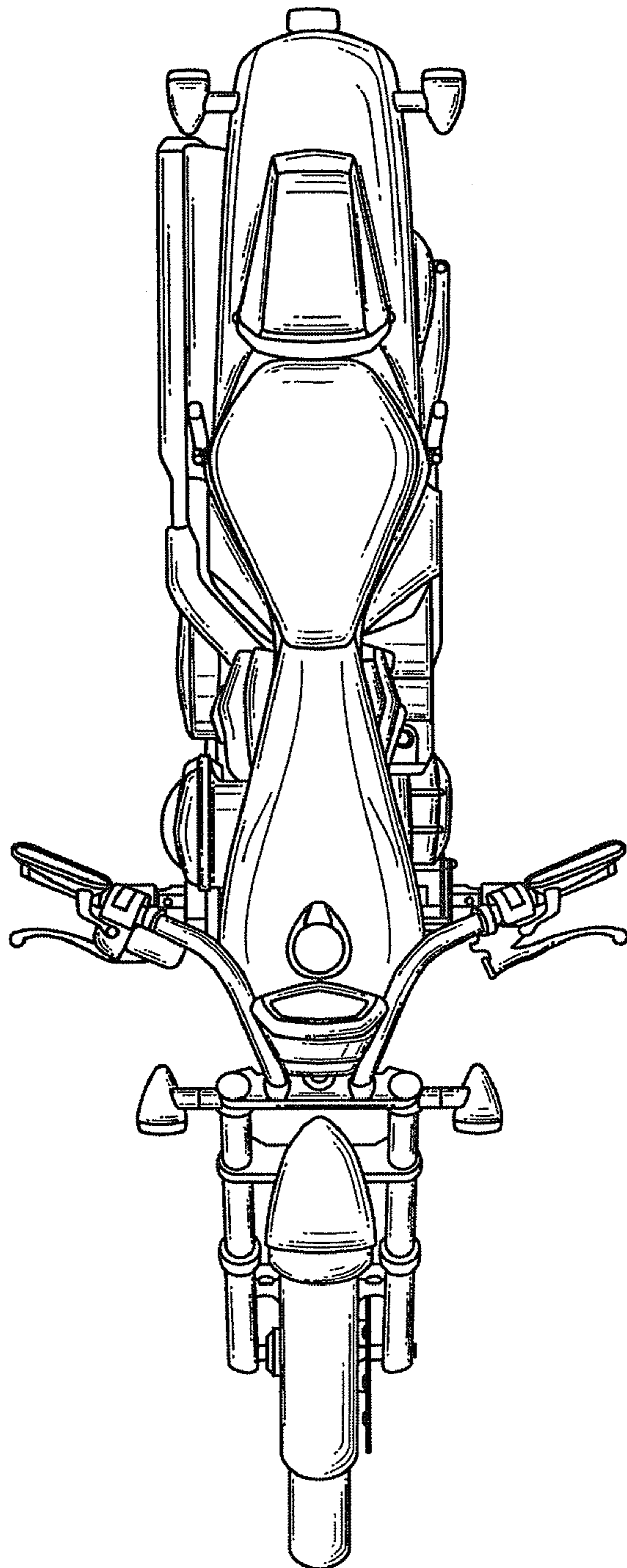


Fig.6

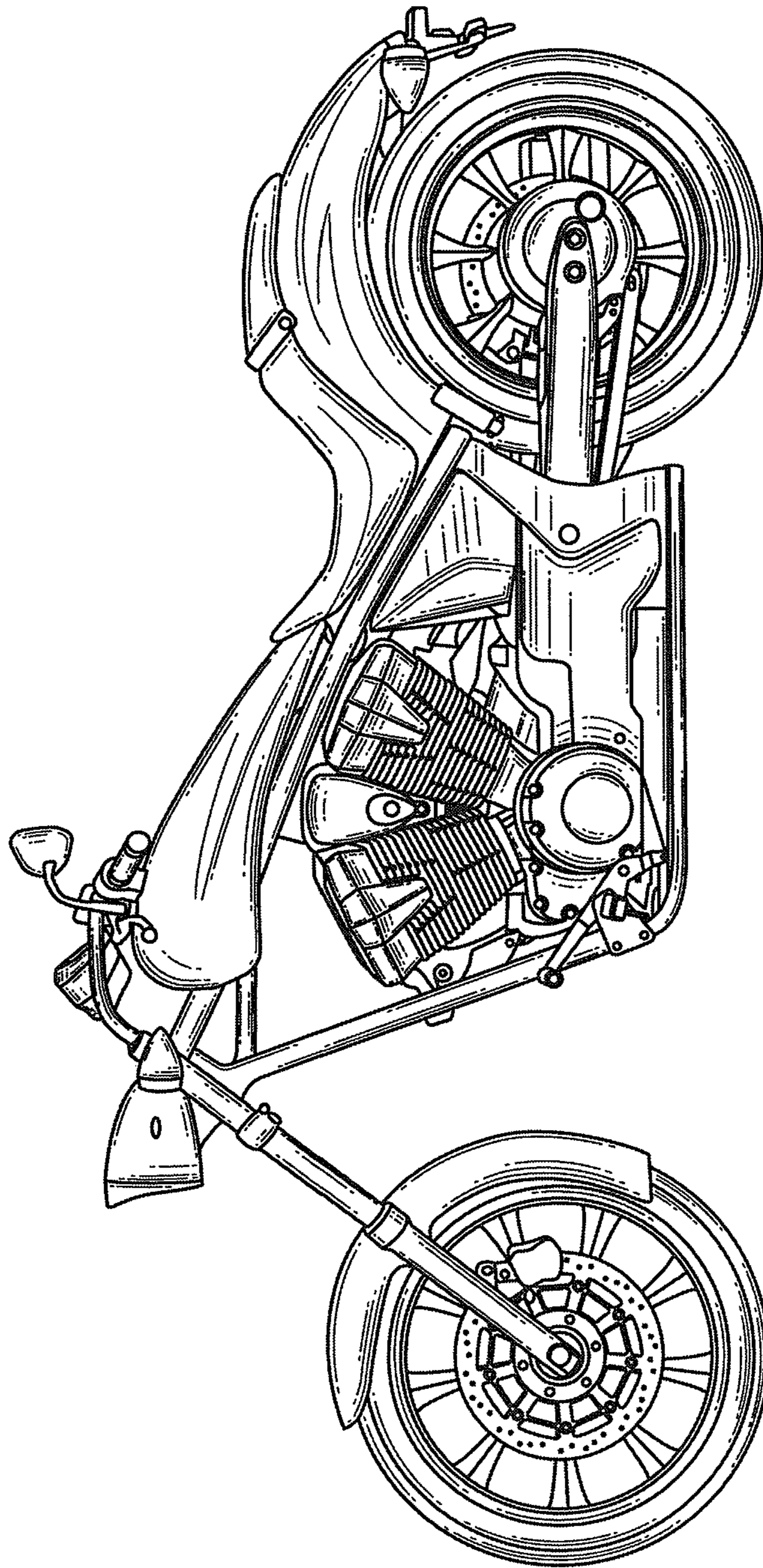


Fig. 7

