



US00D582308S

(12) **United States Design Patent**  
**Kajita**

(10) **Patent No.:** **US D582,308 S**  
(45) **Date of Patent:** **\*\* Dec. 9, 2008**

(54) **REMOTE CONTROLLER FOR BODY WEIGHT AND BODY COMPOSITION MEASURING MACHINE**

(75) Inventor: **Takashi Kajita**, Tokyo (JP)

(73) Assignees: **Kabushiki Kaisha Toshiba**, Tokyo (JP);  
**Toshiba Consumer Marketing Corporation**, Tokyo (JP)

(\*\*) Term: **14 Years**

(21) Appl. No.: **29/303,967**

(22) Filed: **Feb. 21, 2008**

(30) **Foreign Application Priority Data**

Aug. 23, 2007 (JP) ..... 2007-022879

(51) **LOC (8) Cl.** ..... **10-04**

(52) **U.S. Cl.** ..... **D10/94**

(58) **Field of Classification Search** ..... D10/94;  
116/DIG. 32; 177/236-241, 25.13-25.18;  
340/870.02, 870.03, 870.11-870.15; 364/464.02,  
364/364, 567

See application file for complete search history.

(56) **References Cited**

**U.S. PATENT DOCUMENTS**

- D308,346 S \* 6/1990 Nakagawa et al. .... D10/94
- D392,620 S 3/1998 Ashcraft et al.
- D398,608 S 9/1998 Nguyen et al.
- D400,539 S 11/1998 Hippen
- D410,443 S 6/1999 Matsumoto
- D416,910 S 11/1999 Vasquez
- D425,558 S 5/2000 Tarpenning et al.
- D425,807 S \* 5/2000 Sato ..... D10/92
- D431,482 S \* 10/2000 Marmier ..... D10/94
- D432,124 S 10/2000 Pardikes et al.

- D437,593 S 2/2001 Keeler et al.
- D451,505 S 12/2001 Iseki et al.
- D464,328 S 10/2002 Vasquez et al.
- D464,646 S 10/2002 Lin
- D464,948 S 10/2002 Vasquez et al.
- D478,051 S 8/2003 Sagawa
- D501,463 S 2/2005 Hisatsune
- D507,983 S \* 8/2005 Kobayakawa ..... D10/94
- D527,663 S \* 9/2006 Matsumoto et al. .... D10/94

**FOREIGN PATENT DOCUMENTS**

- JP 1120666 9/2001
- JP 1204845 5/2004
- JP 1235696 4/2005
- KR 30-0410835 4/2006

\* cited by examiner

*Primary Examiner*—Antoine D Davis

(74) *Attorney, Agent, or Firm*—Banner & Witcoff, Ltd.

(57) **CLAIM**

The ornamental design for a remote controller for body weight and body composition measuring machine, as shown and described.

**DESCRIPTION**

FIG. 1 is a front, top and right side perspective view of a remote controller for body weight and body composition measuring machine, showing my new design;

FIG. 2 is a front view thereof;

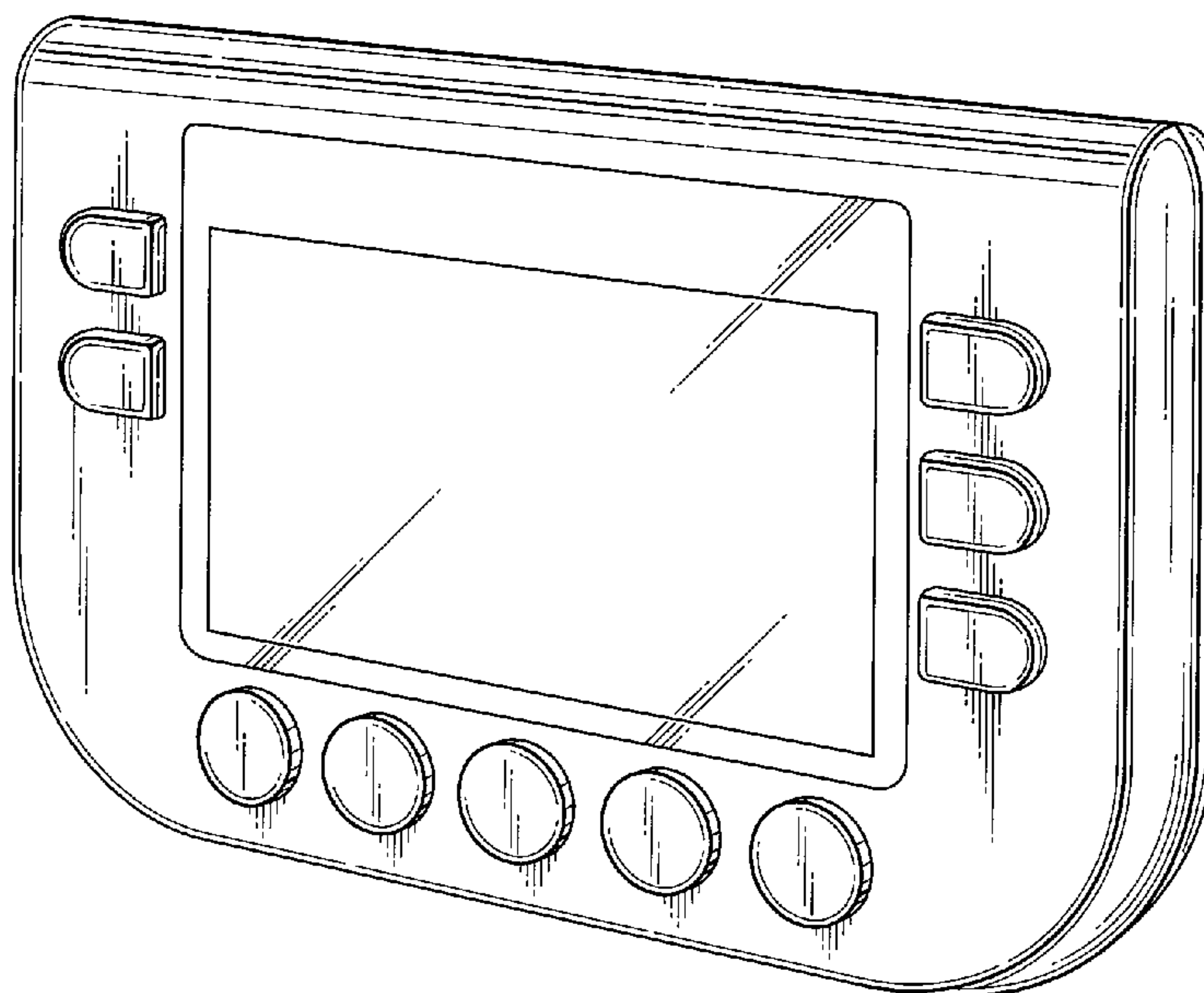
FIG. 3 is a rear view thereof;

FIG. 4 is a top view thereof;

FIG. 5 is a bottom view thereof; and,

FIG. 6 is a right side view thereof; and the opposite side being a mirror image thereof.

**1 Claim, 3 Drawing Sheets**



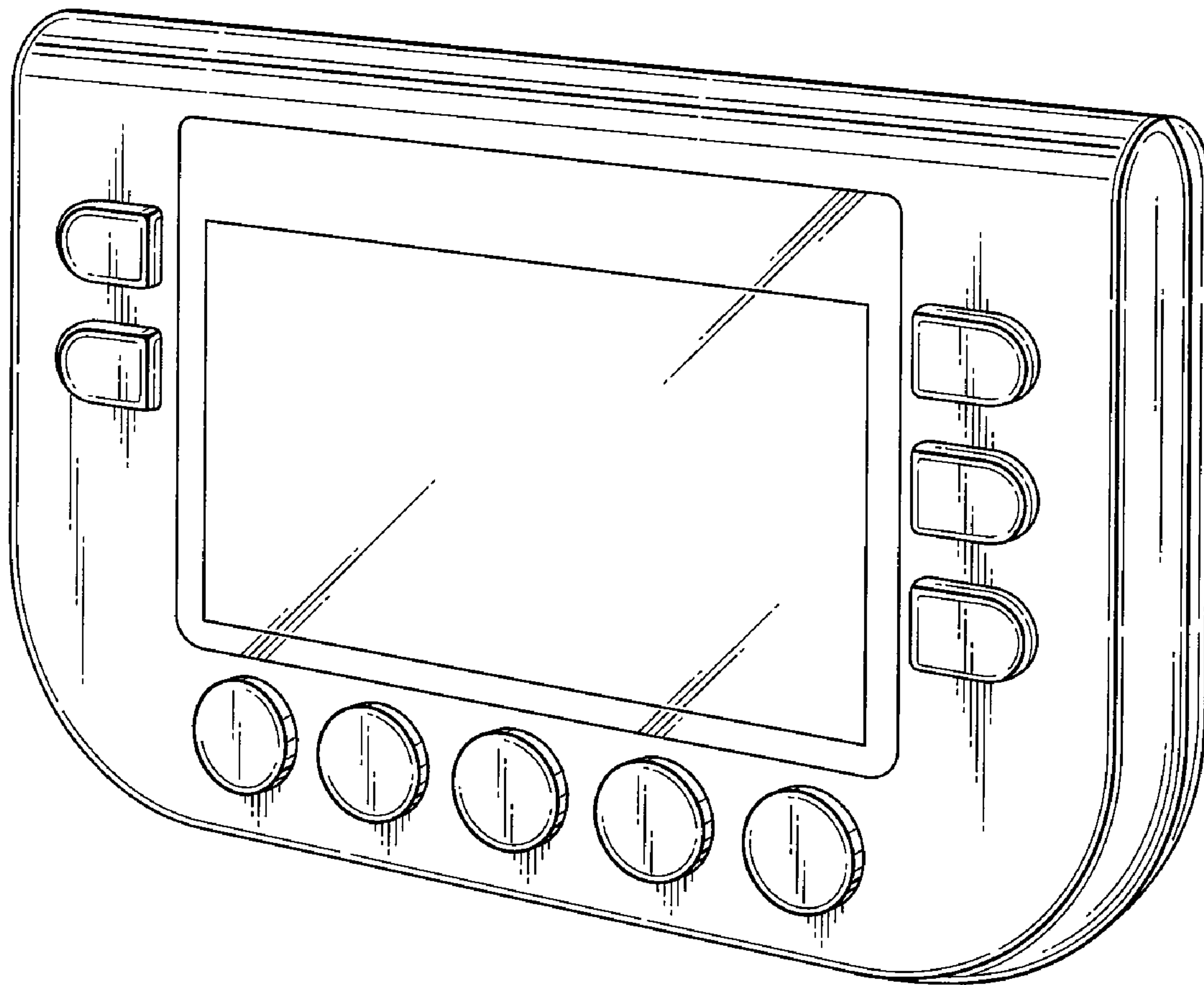


FIG. 1

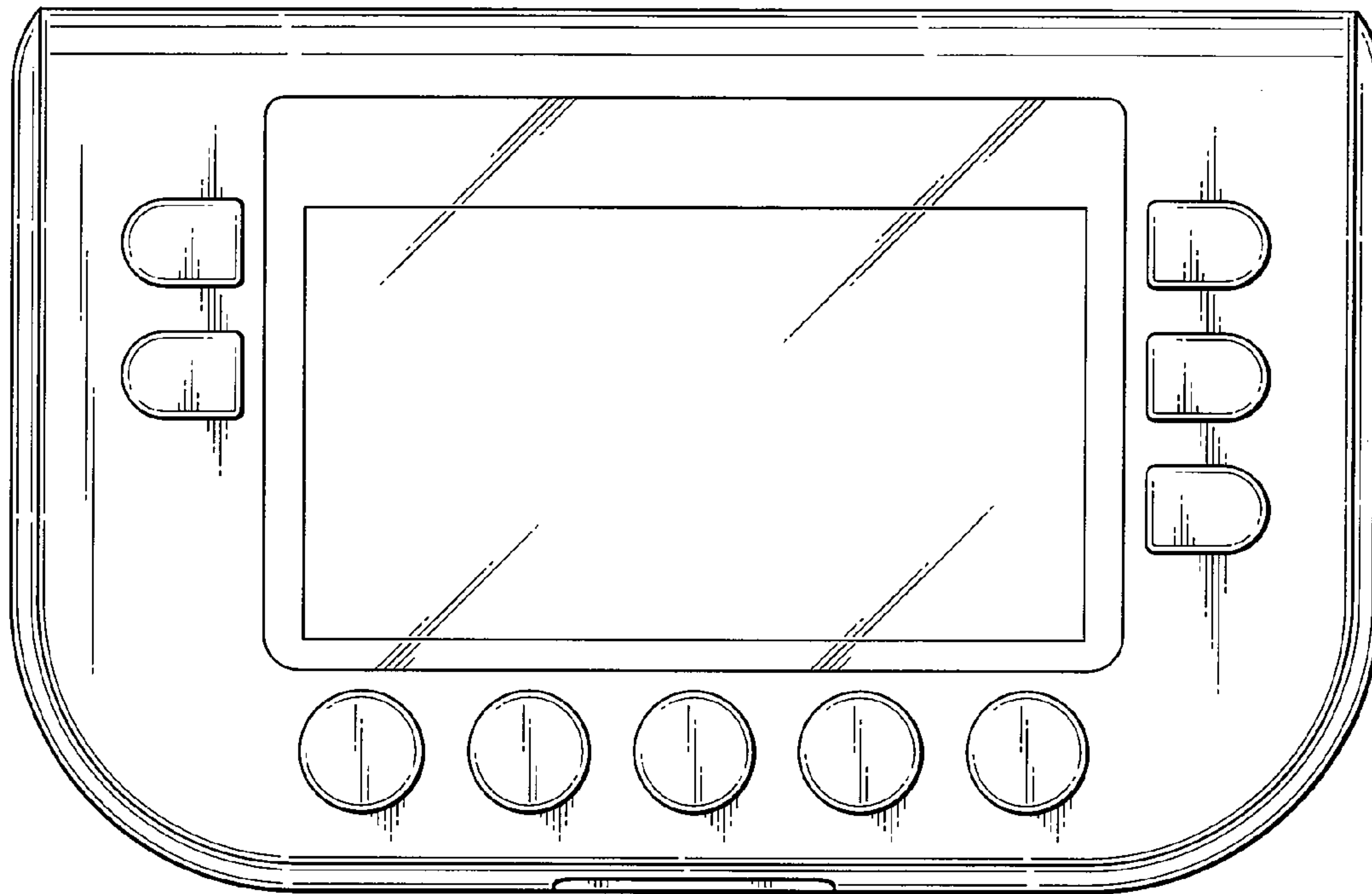


FIG.2

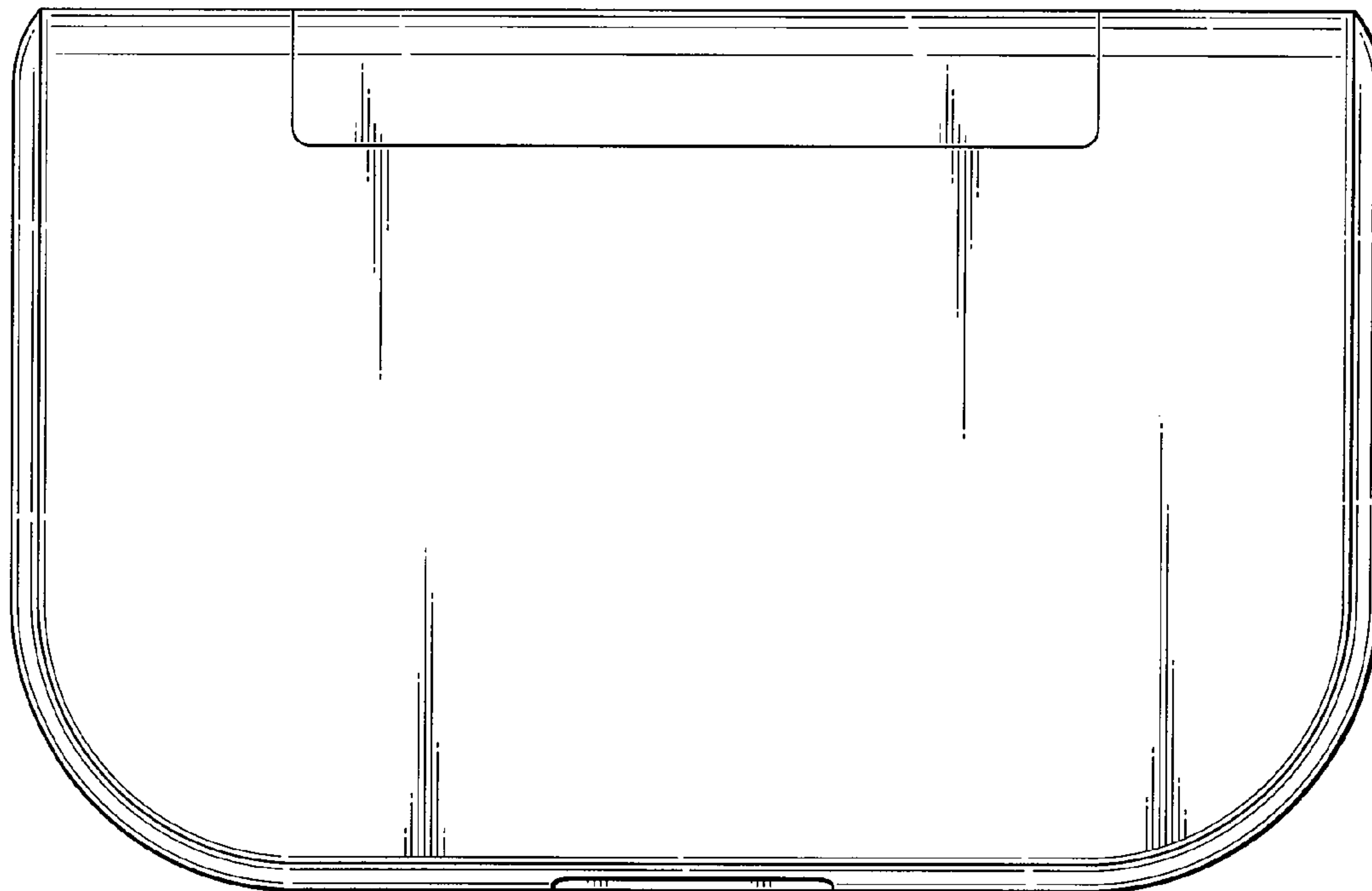


FIG.3

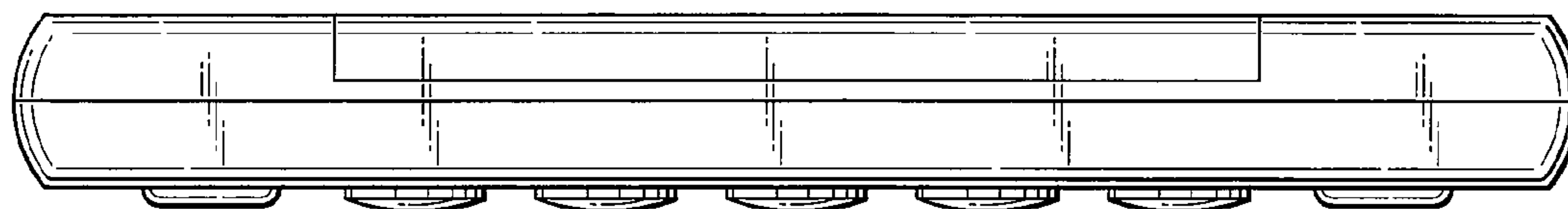


FIG. 4

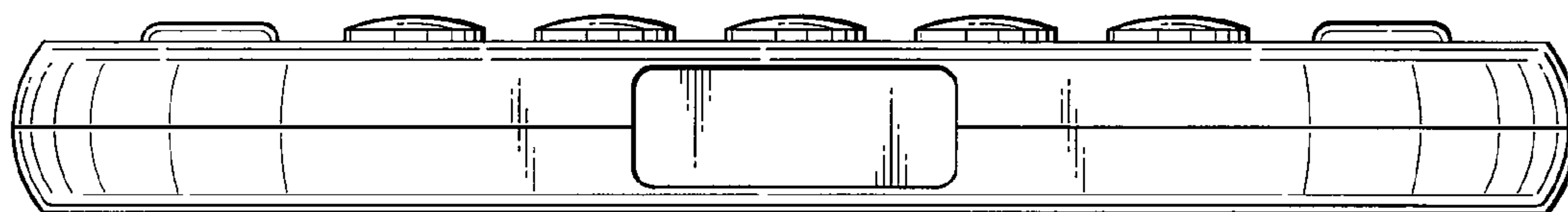


FIG. 5

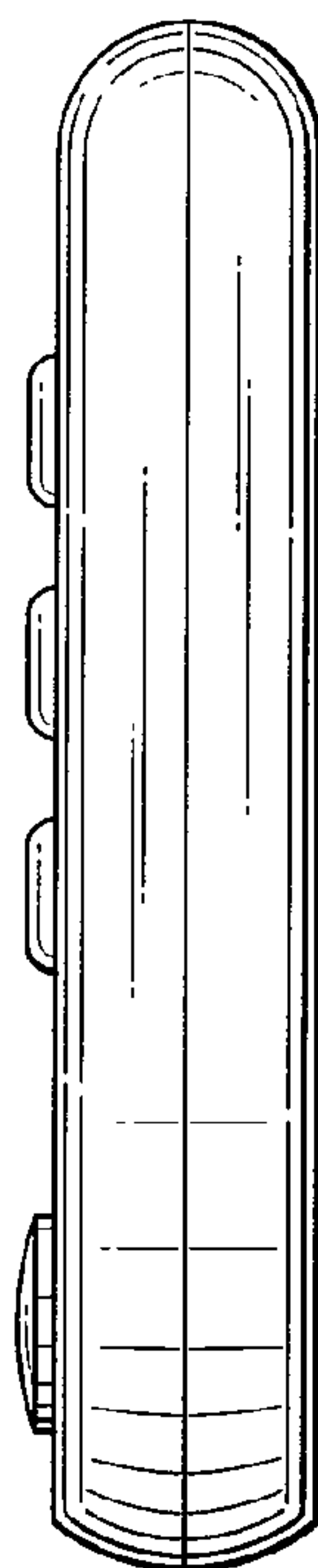


FIG. 6