



US00D582306S

(12) **United States Design Patent**  
**Wright**

(10) **Patent No.:** **US D582,306 S**  
(45) **Date of Patent:** **\*\* Dec. 9, 2008**

(54) **BODY COMPOSITION METER**

(75) Inventor: **Matthew Wright**, Cambridge (GB)

(73) Assignee: **Tanita Corporation**, Tokyo (JP)

(\*\*) Term: **14 Years**

(21) Appl. No.: **29/294,222**

(22) Filed: **Dec. 28, 2007**

(30) **Foreign Application Priority Data**

Jul. 3, 2007 (JP) ..... 2007-017970

(51) **LOC (8) Cl.** ..... **10-04**

(52) **U.S. Cl.** ..... **D10/92**

(58) **Field of Classification Search** ..... D10/92;  
177/25.12-25.18, 238-245, 177, 126, 1,  
177/181, 210 R, 210 C, 25, 30, 127, DIG. 3;  
600/506, 547

See application file for complete search history.

(56) **References Cited**

**U.S. PATENT DOCUMENTS**

D521,402 S \* 5/2006 Kobayakawa et al. .... D10/92  
D528,936 S \* 9/2006 Kuskovsky et al. .... D10/92

\* cited by examiner

*Primary Examiner*—Antoine D Davis

(74) *Attorney, Agent, or Firm*—Frishauf, Holtz, Goodman & Chick, P.C.

(57) **CLAIM**

The ornamental design for a body composition meter, as shown and described.

**DESCRIPTION**

FIG. 1 is a front, right side, bottom perspective view of a body composition meter showing my new design;

FIG. 2 is a front elevational view thereof;

FIG. 3 is a rear elevational view thereof;

FIG. 4 is a right side view thereof, the left side view being a mirror image;

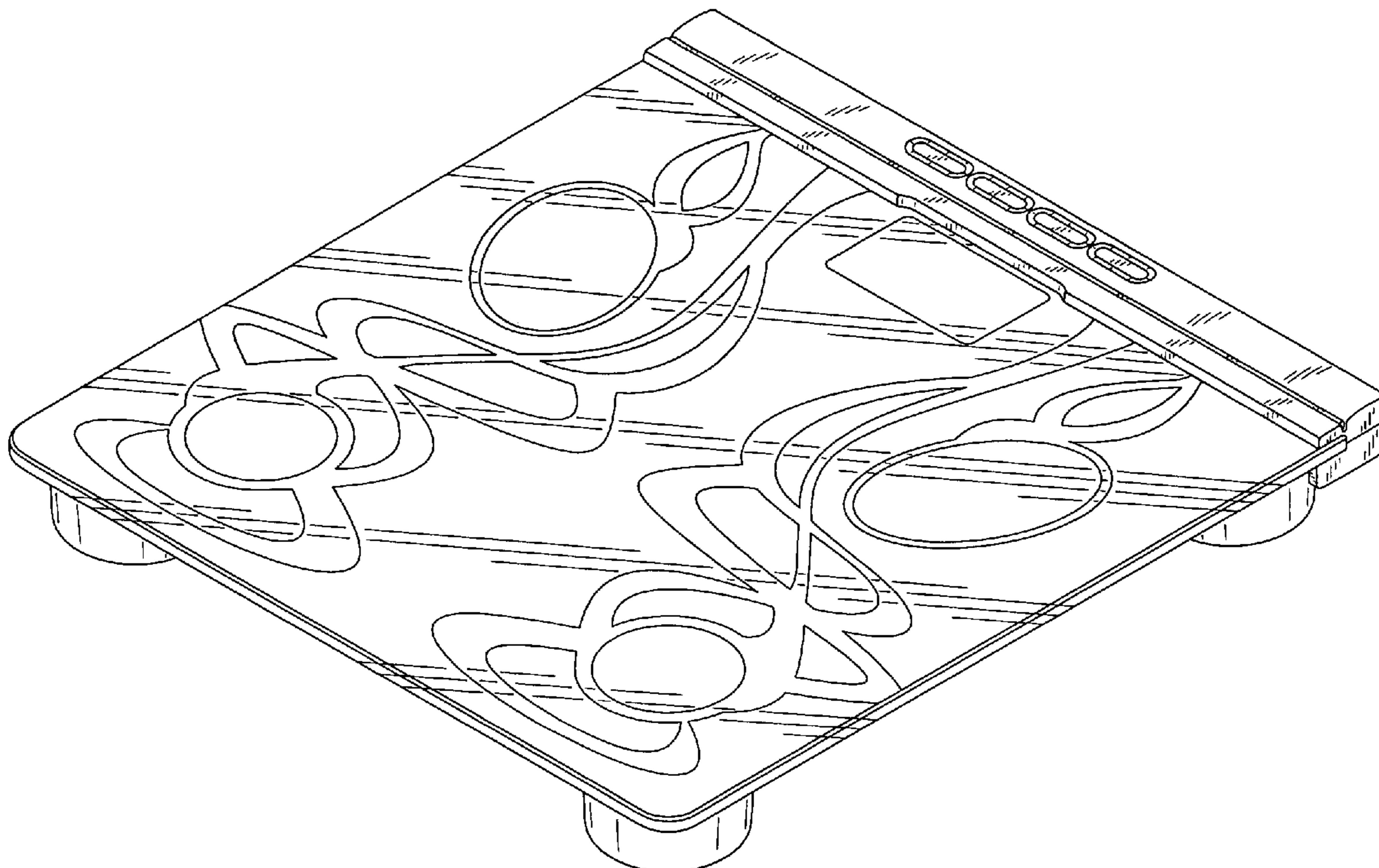
FIG. 5 is a top plan view thereof;

FIG. 6 is a bottom plan view thereof, and

FIG. 7 is a cross sectional view thereof, taken along line 7—7 of FIG. 2, and,

FIG. 8 is a reference front elevational view thereof showing a state in which this article is electrified.

**1 Claim, 7 Drawing Sheets**



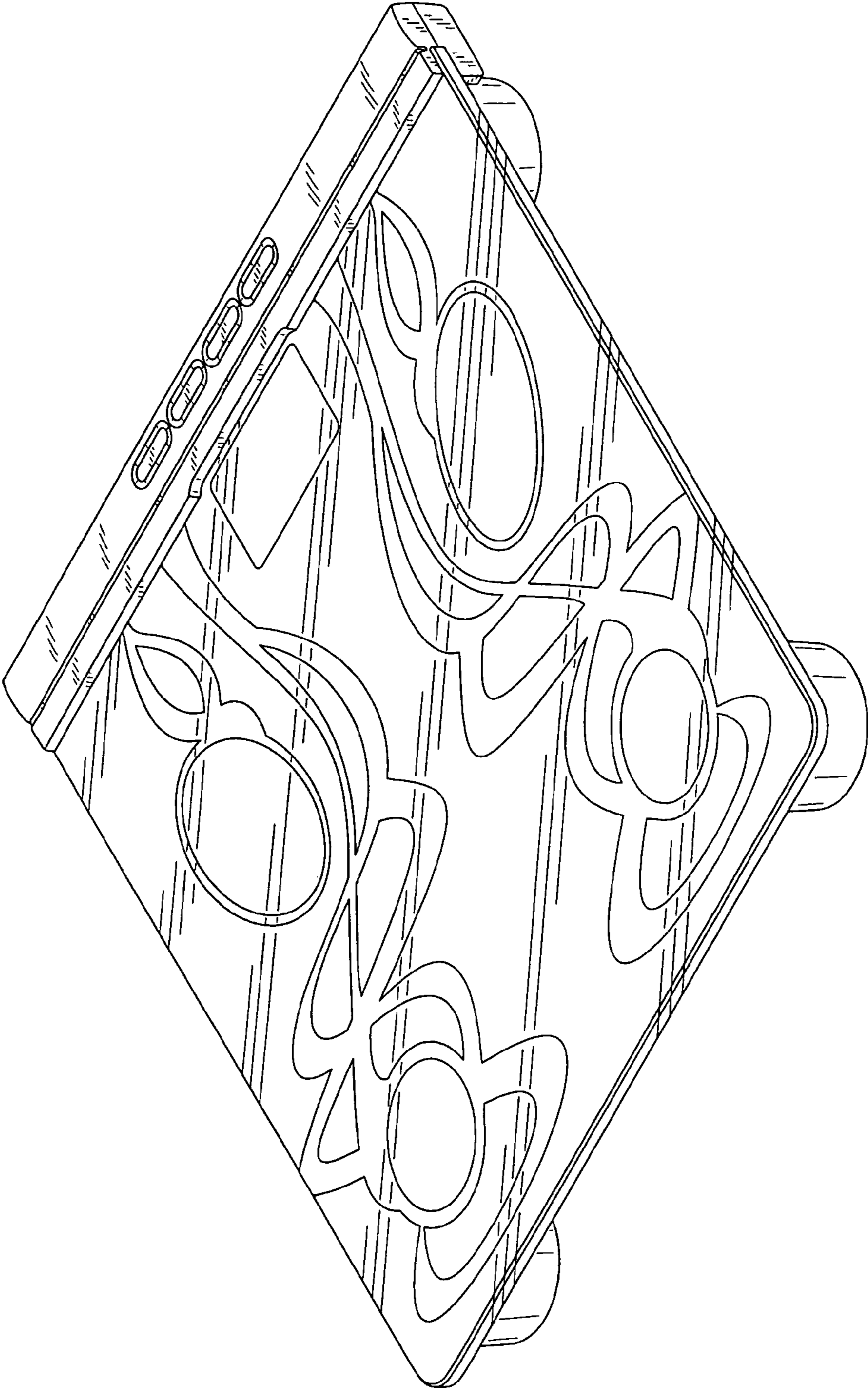


FIG. 1

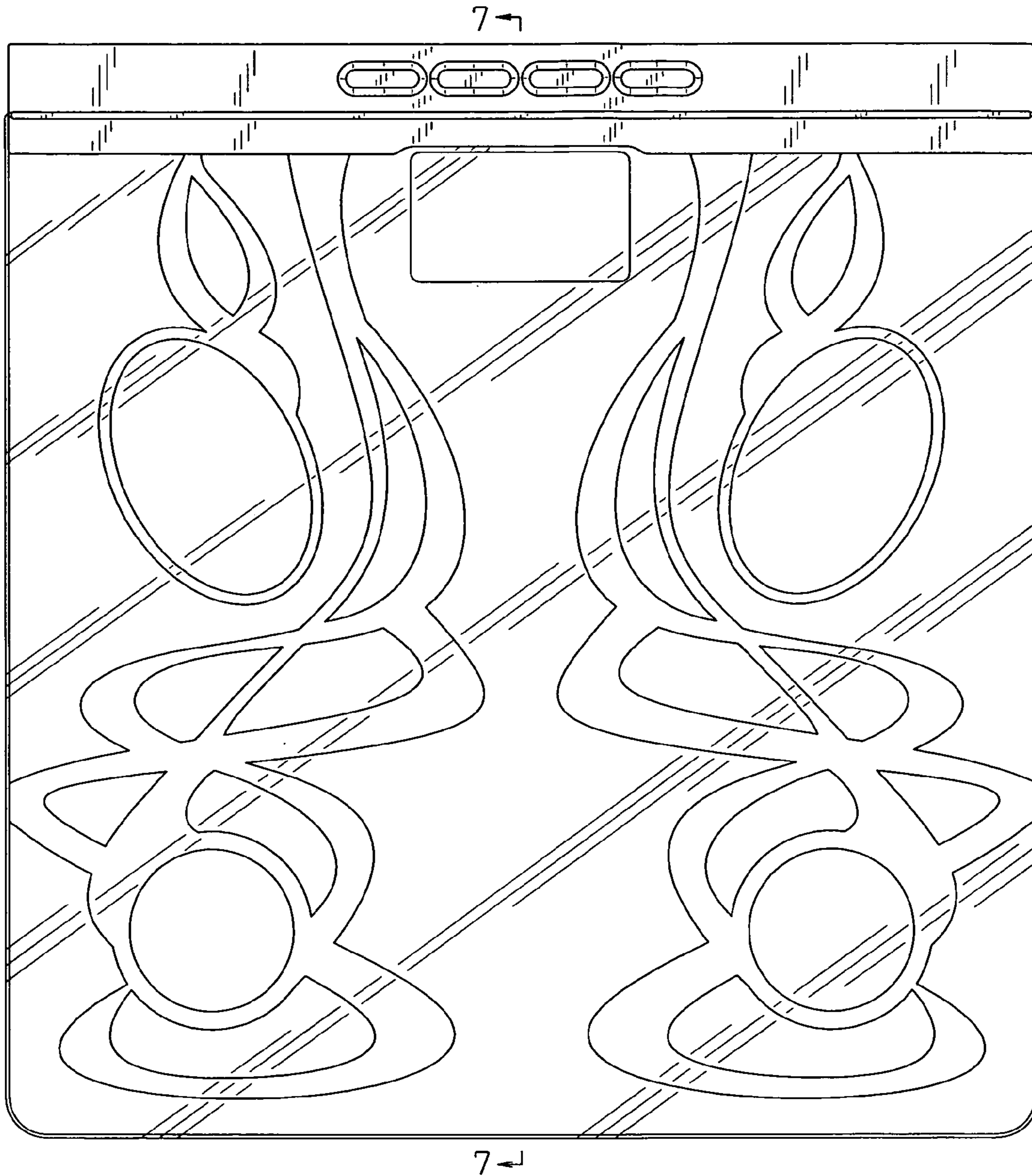


FIG. 2

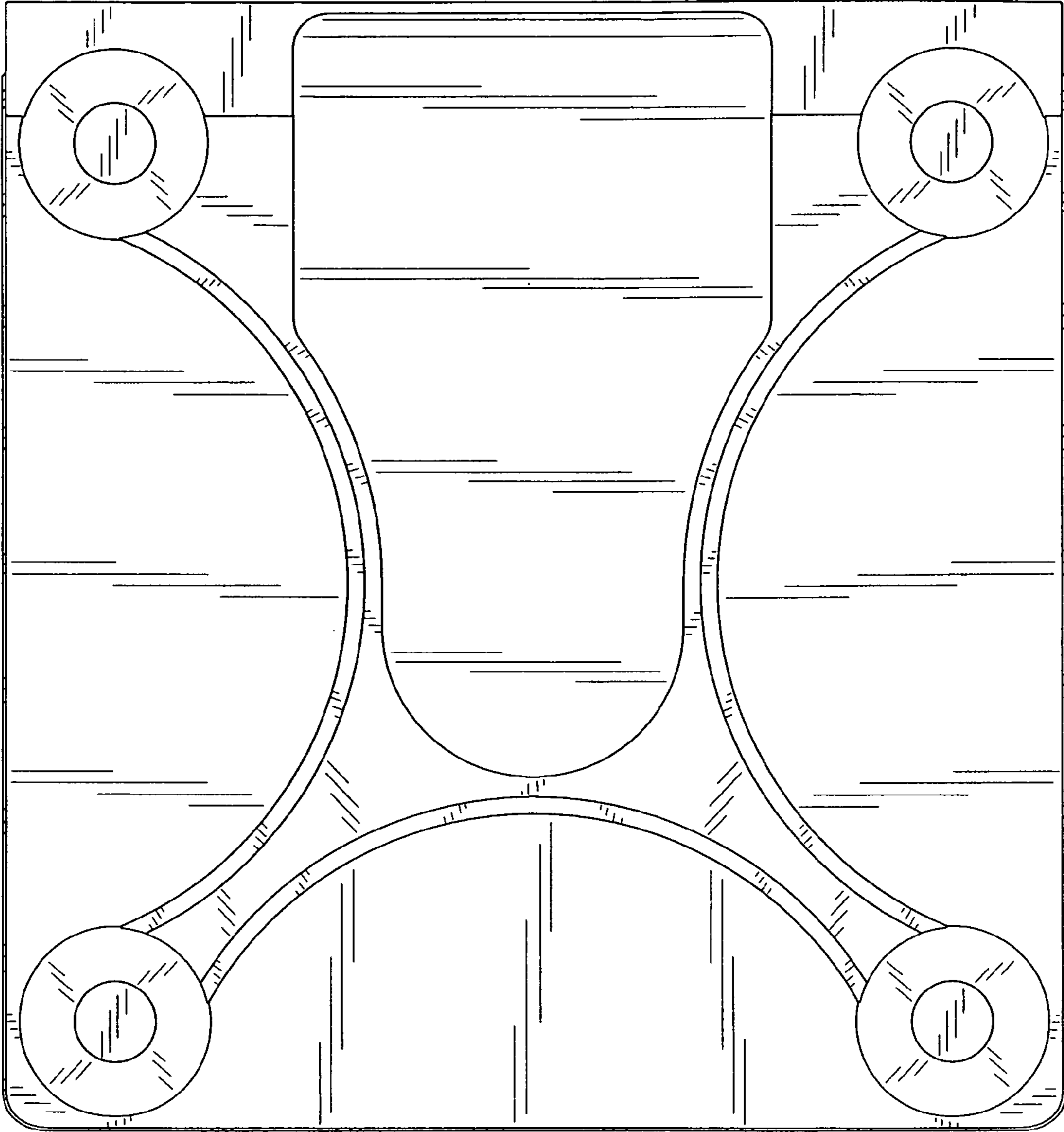
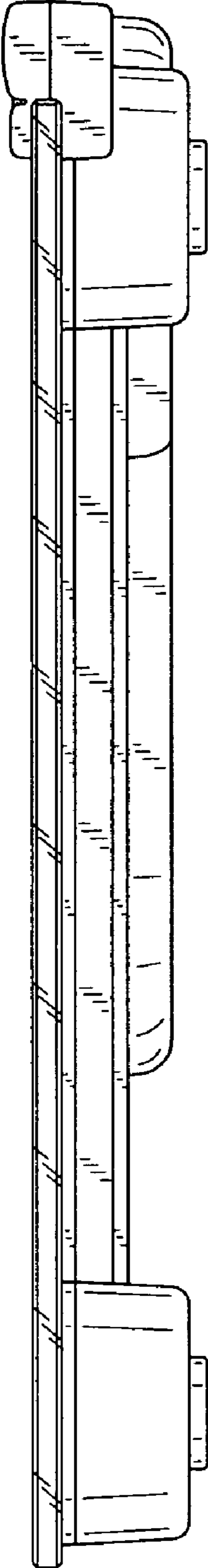
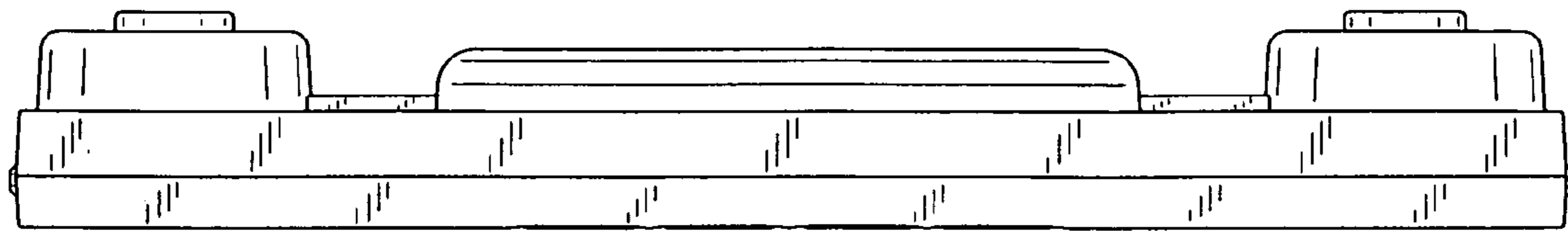


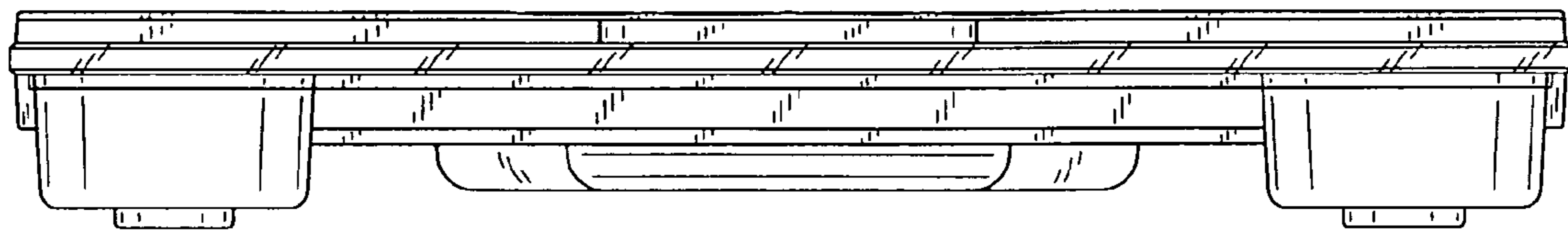
FIG. 3



**FIG. 4**



**FIG. 5**



**FIG. 6**

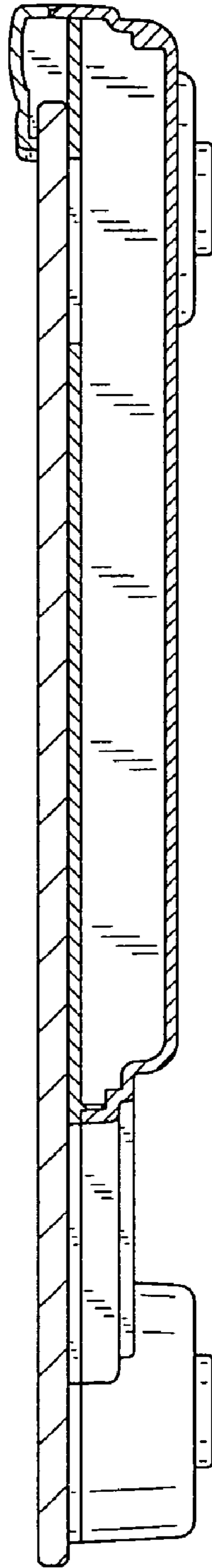


FIG. 7

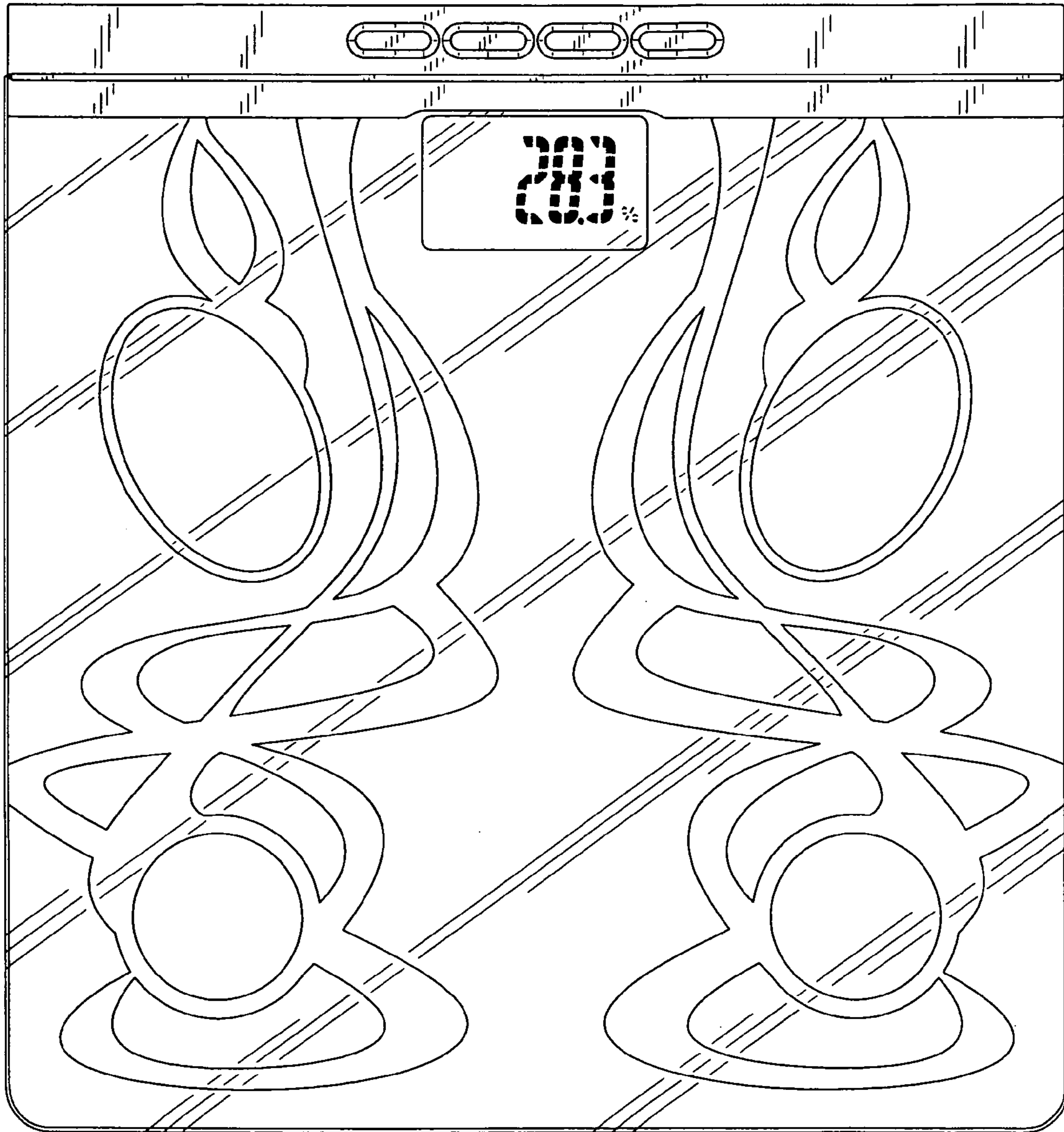


FIG. 8