



US00D582304S

(12) **United States Design Patent**
Hashino et al.

(10) **Patent No.:** **US D582,304 S**
(45) **Date of Patent:** **** Dec. 9, 2008**

(54) **ACTIVITY MONITOR**

(75) Inventors: **Kenji Hashino**, Suita (JP); **Kansuke Fukuda**, Takatsuki (JP); **Masahiro Kobayashi**, Takatsuki (JP); **Masahiko Yumoto**, Kyoto (JP); **Shinya Tanaka**, Osaka (JP); **Takashi Shigeno**, Kawasaki (JP); **Kazuya Andachi**, Tokyo (JP)

(73) Assignee: **Omron Healthcare Co., Ltd.**, Kyoto (JP)

(**) Term: **14 Years**

(21) Appl. No.: **29/302,462**

(22) Filed: **Jan. 17, 2008**

(30) **Foreign Application Priority Data**

Jul. 18, 2007 (JP) 2007-019487

(51) **LOC (8) Cl.** **10-04**

(52) **U.S. Cl.** **D10/70**

(58) **Field of Classification Search** D10/70;
235/95 C, 105; 377/5, 24.2, 26; 702/155,
702/160, 176

See application file for complete search history.

(56) **References Cited**

U.S. PATENT DOCUMENTS

5,673,691 A * 10/1997 Abrams et al. 600/300
5,890,128 A * 3/1999 Diaz et al. 705/2

D543,877 S * 6/2007 Bhavnani D10/70
D545,700 S * 7/2007 Man D10/70
D573,906 S * 7/2008 Maki et al. D10/70

FOREIGN PATENT DOCUMENTS

JP D 0757823 3/1989
JP D 0819550 7/1991
JP D 0912046 11/1994
JP D 0935388 9/1995
JP D 0819550-1 9/1997
JP D 1064232 3/2000
JP D 1192027 12/2003

* cited by examiner

Primary Examiner—Antoine D Davis

(57) **CLAIM**

The ornamental design for an activity monitor, as shown.

DESCRIPTION

FIG. 1 is a front, top, right side perspective view of an embodiment of an activity monitor showing our new design; FIG. 2 is a rear, bottom, left side perspective view thereof; FIG. 3 is a front elevational view thereof; FIG. 4 is a rear elevational view thereof; FIG. 5 is a top plan view thereof; FIG. 6 is a bottom plan view thereof; FIG. 7 is a right side elevational view thereof; and, FIG. 8 is a left side elevational view thereof.

1 Claim, 4 Drawing Sheets

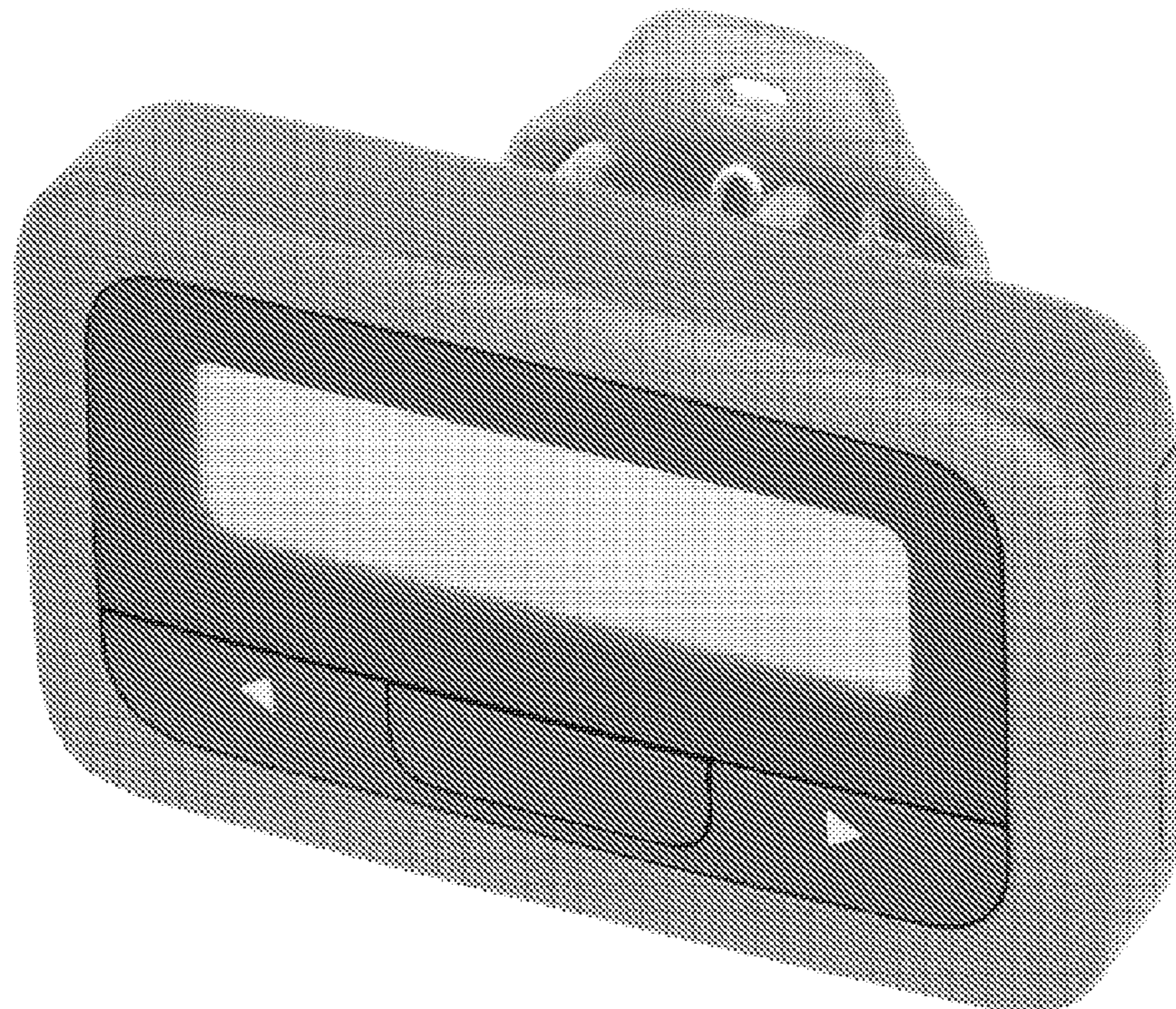


Fig. 1

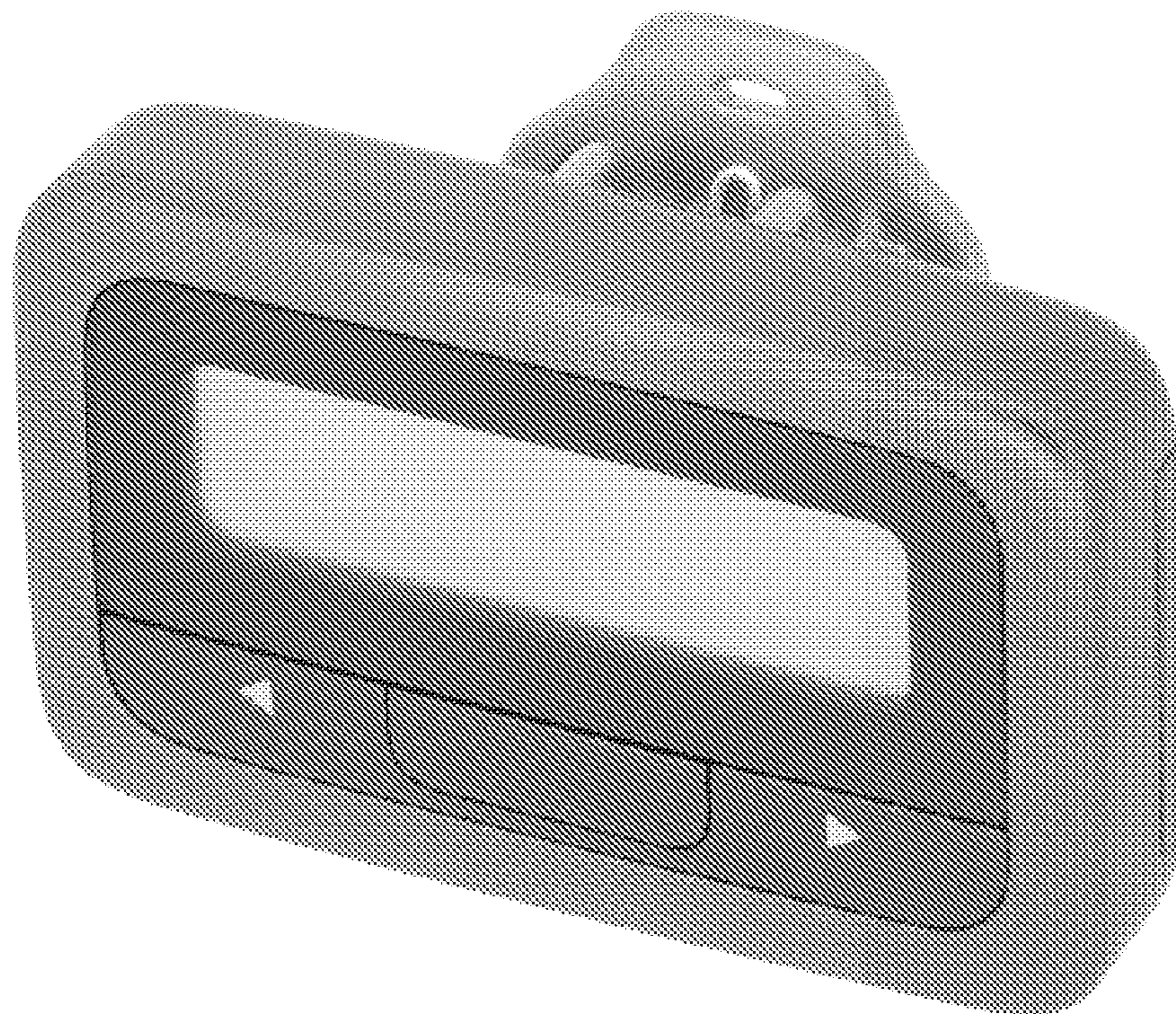


Fig. 2

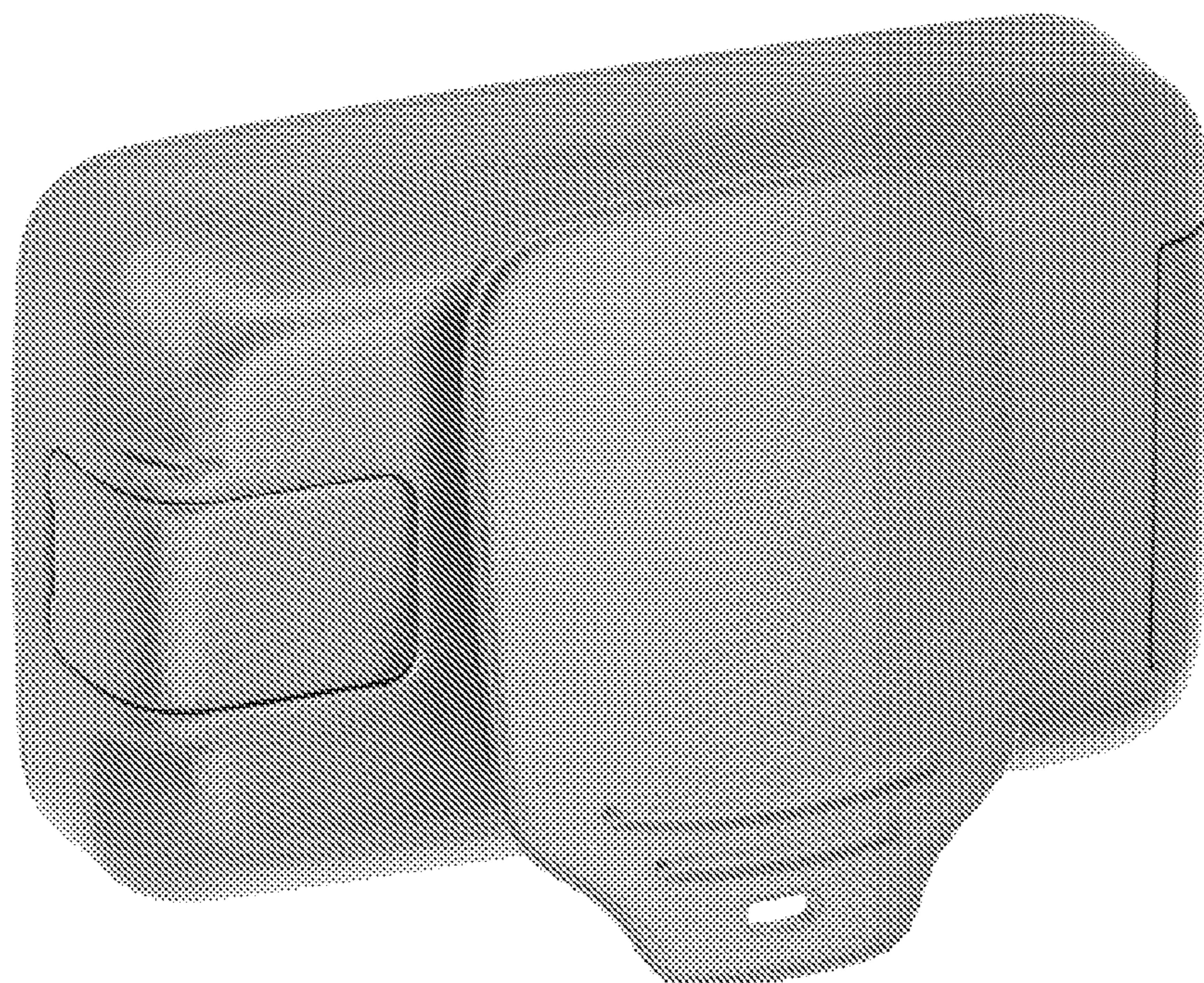


Fig. 3

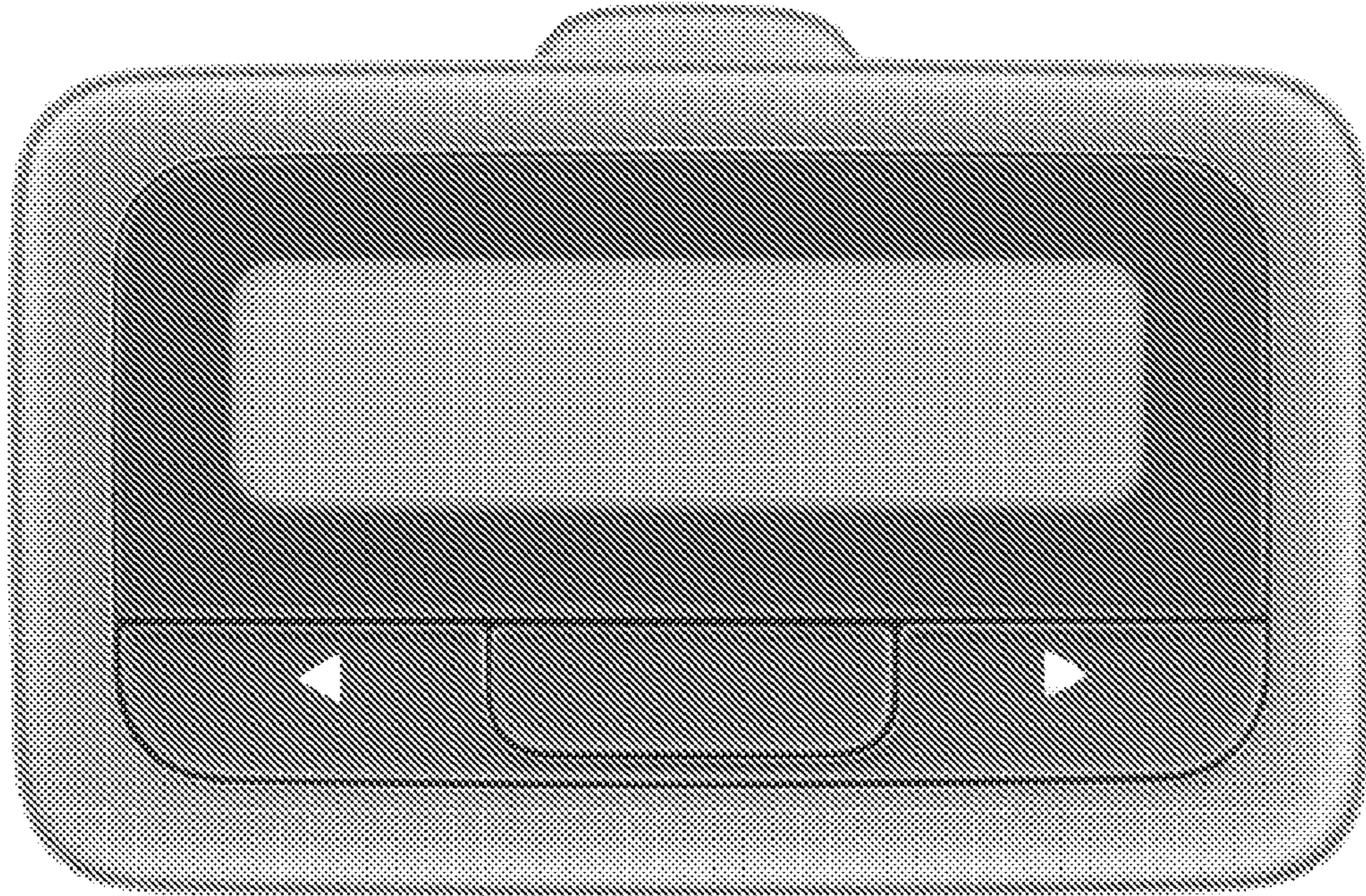


Fig. 4

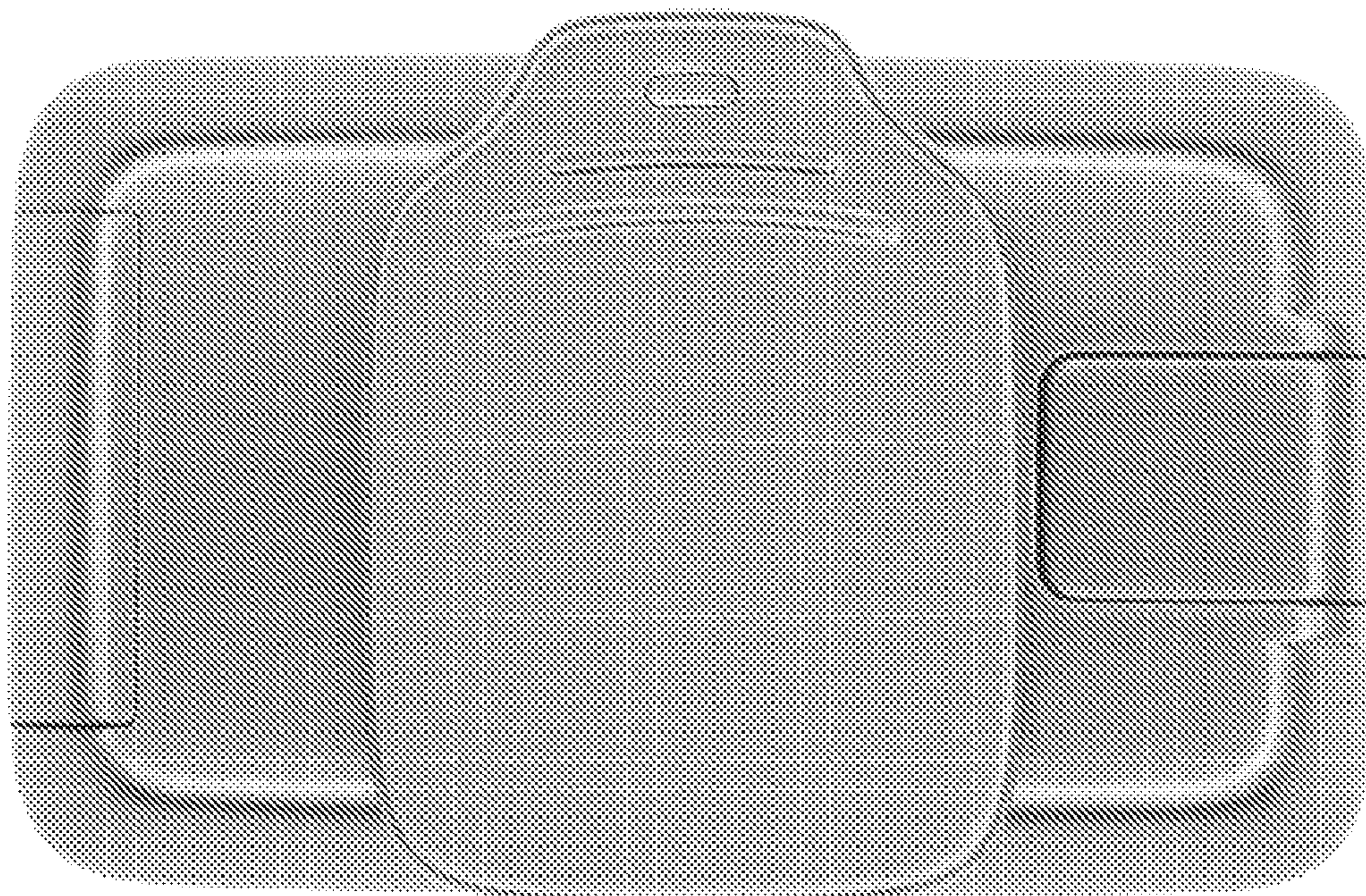


Fig. 5

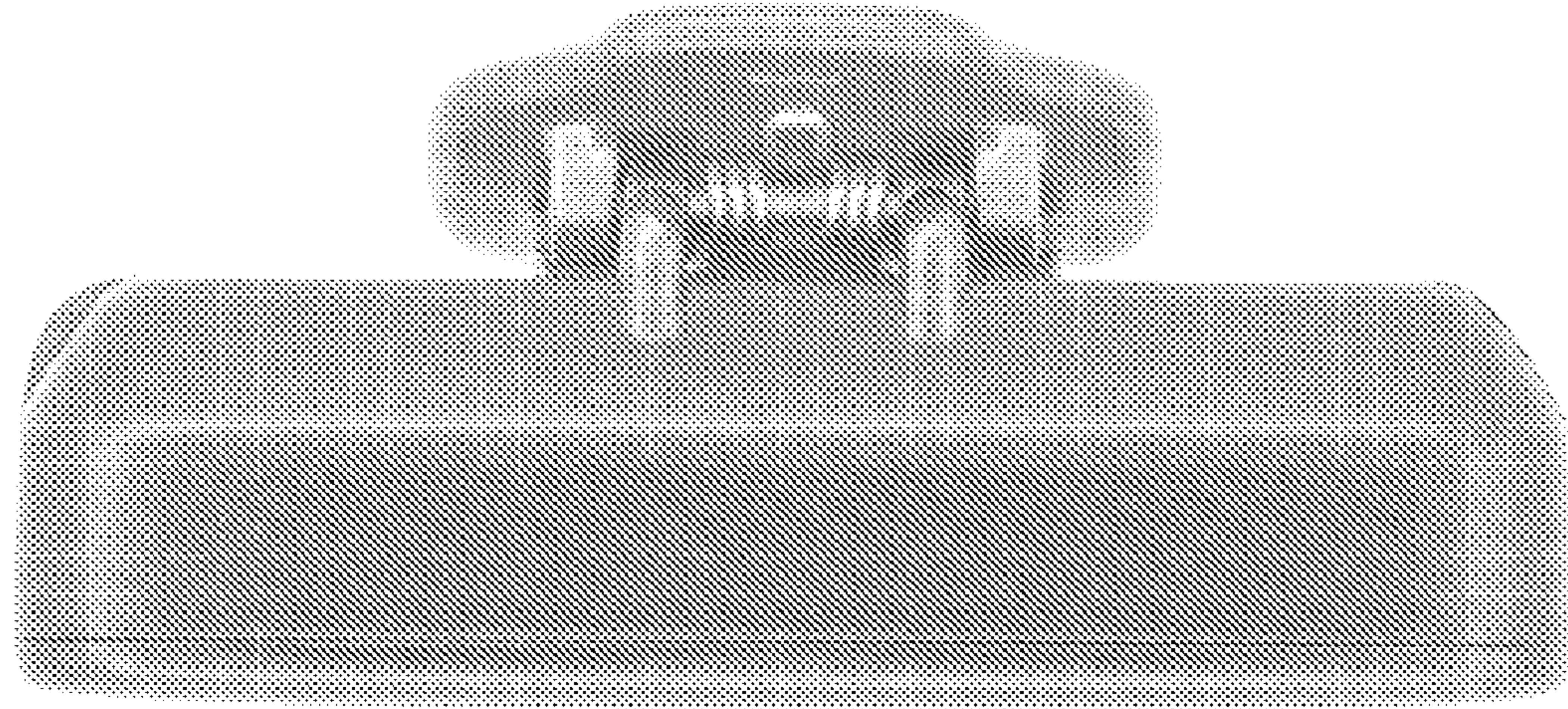


Fig. 6

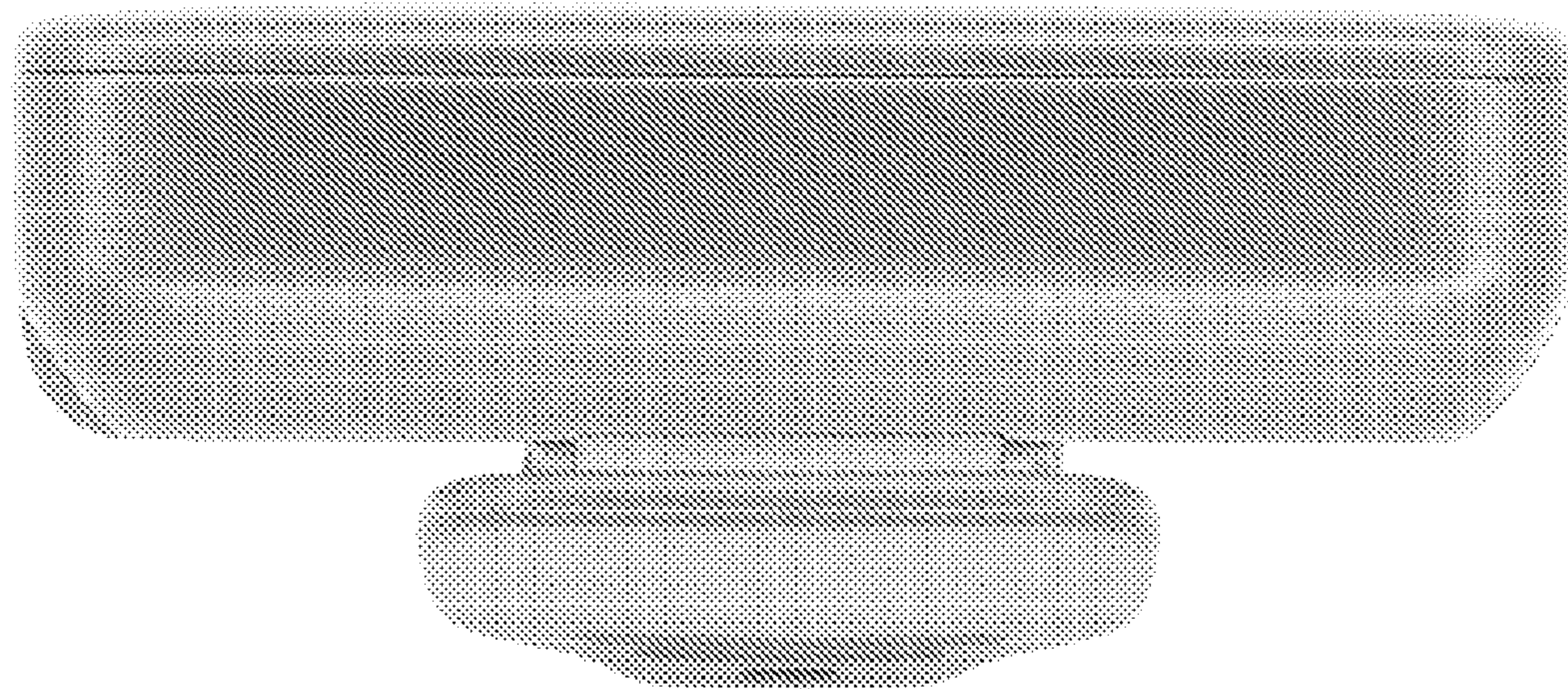


Fig. 7

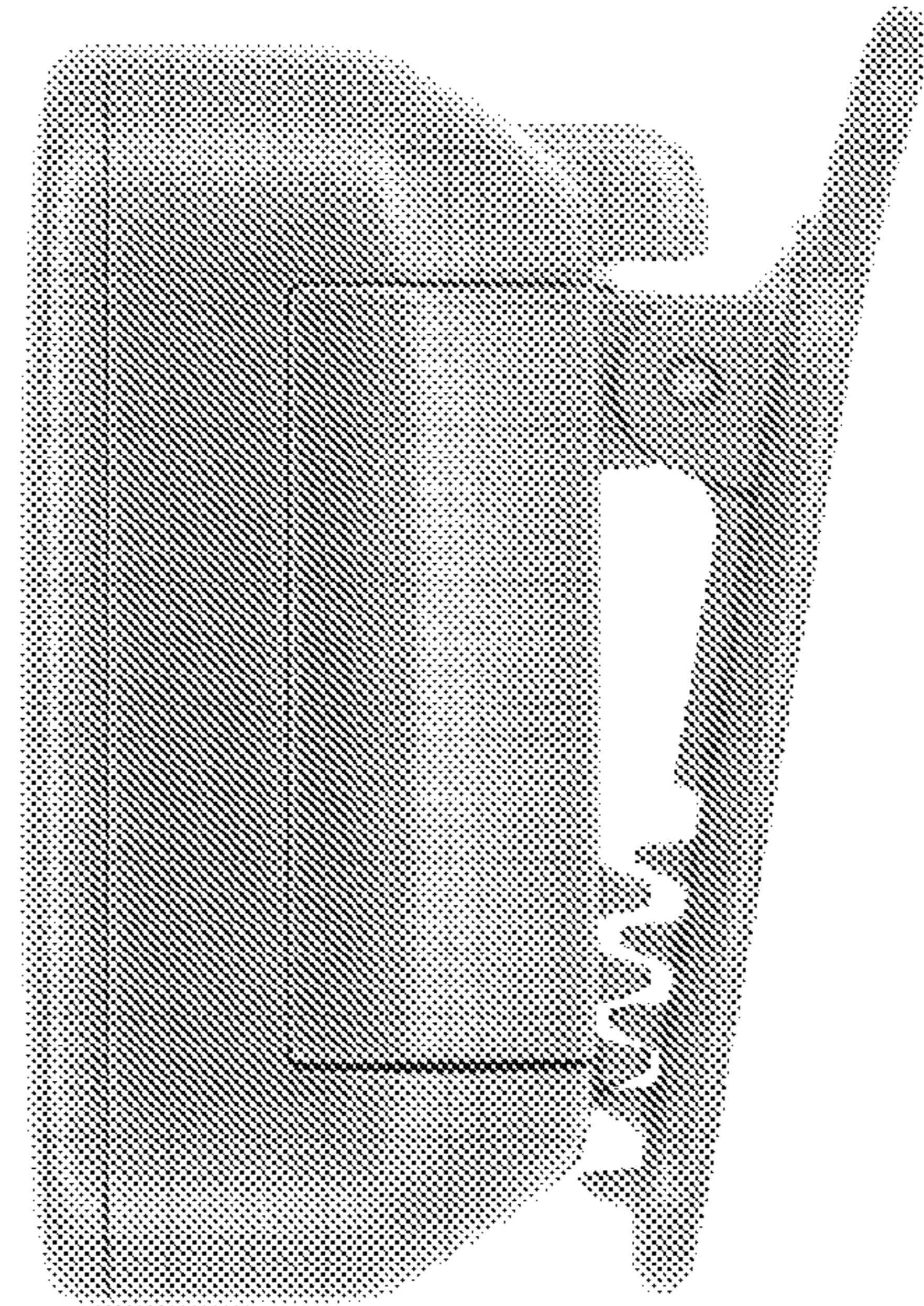


Fig. 8

