



US00D582296S

(12) **United States Design Patent**
Bertucci

(10) **Patent No.:** **US D582,296 S**
(45) **Date of Patent:** **** Dec. 9, 2008**

(54) **WATCH CASING**

(76) Inventor: **Michael H. Bertucci**, 991 Charles Ave.,
Gurnee, IL (US) 60031

(**) Term: **14 Years**

(21) Appl. No.: **29/317,258**

(22) Filed: **Apr. 25, 2008**

(51) **LOC (8) Cl.** **10-02**

(52) **U.S. Cl.** **D10/38**

(58) **Field of Classification Search** D10/30-39;
368/276, 281, 282, 285

See application file for complete search history.

(56) **References Cited**

U.S. PATENT DOCUMENTS

2,004,685	A	6/1935	Best	
D202,061	S *	8/1965	Montese-Caruso	D10/38
3,270,928	A *	9/1966	Brunet	224/164
3,585,794	A	6/1971	Klingenberg	
3,665,701	A *	5/1972	Burdet	368/295
3,901,023	A *	8/1975	Uebelhardt	368/281
D241,126	S *	8/1976	Lawrence	D10/38
D251,055	S *	2/1979	Sulek	D10/38
D251,056	S	2/1979	Perrin	
4,218,873	A *	8/1980	Lang	368/281
4,548,514	A *	10/1985	Ganter	368/291
D295,841	S	5/1988	Kano	
D334,890	S	4/1993	Meyer	
D362,630	S	9/1995	Riley	
D371,077	S	6/1996	Terashima	
D373,957	S	9/1996	Mareschal	
D382,211	S	8/1997	Bodino	
D383,398	S	9/1997	Kennedy	
D386,423	S *	11/1997	Sang	D10/30
D386,695	S	11/1997	Sang	
D386,698	S	11/1997	Giardiello	
D392,195	S	3/1998	Riley	
D394,817	S	6/1998	Roales	
D410,199	S *	5/1999	Calvani	D10/39
D415,694	S *	10/1999	Fichter	D10/30

D418,427	S	1/2000	Fichter	
D436,044	S	1/2001	Subilia	
D455,354	S	4/2002	Parmigiani	
D475,638	S *	6/2003	Modolo	D10/39
D488,075	S	4/2004	Bertucci	
D488,388	S	4/2004	Bertucci	
D488,724	S	4/2004	Bertucci	
D508,212	S *	8/2005	Scheufele	D10/39
D564,909	S *	3/2008	Kume	D10/38
D566,585	S *	4/2008	Belamich	D10/39

* cited by examiner

Primary Examiner—Lucy Lieberman

(74) *Attorney, Agent, or Firm*—Trexler, Bushnell,
Giangiorgi, Blackstone & Marr, Ltd.

(57) **CLAIM**

I claim the ornamental design for a watch casing, as shown and described.

DESCRIPTION

FIG. 1 is a perspective view of the watch casing according to my design;

FIG. 2 is a top plan view of the watch casing according to my design;

FIG. 3 is a bottom plan view of the watch casing according to my design;

FIG. 4 is a right side view of the watch casing according to my design;

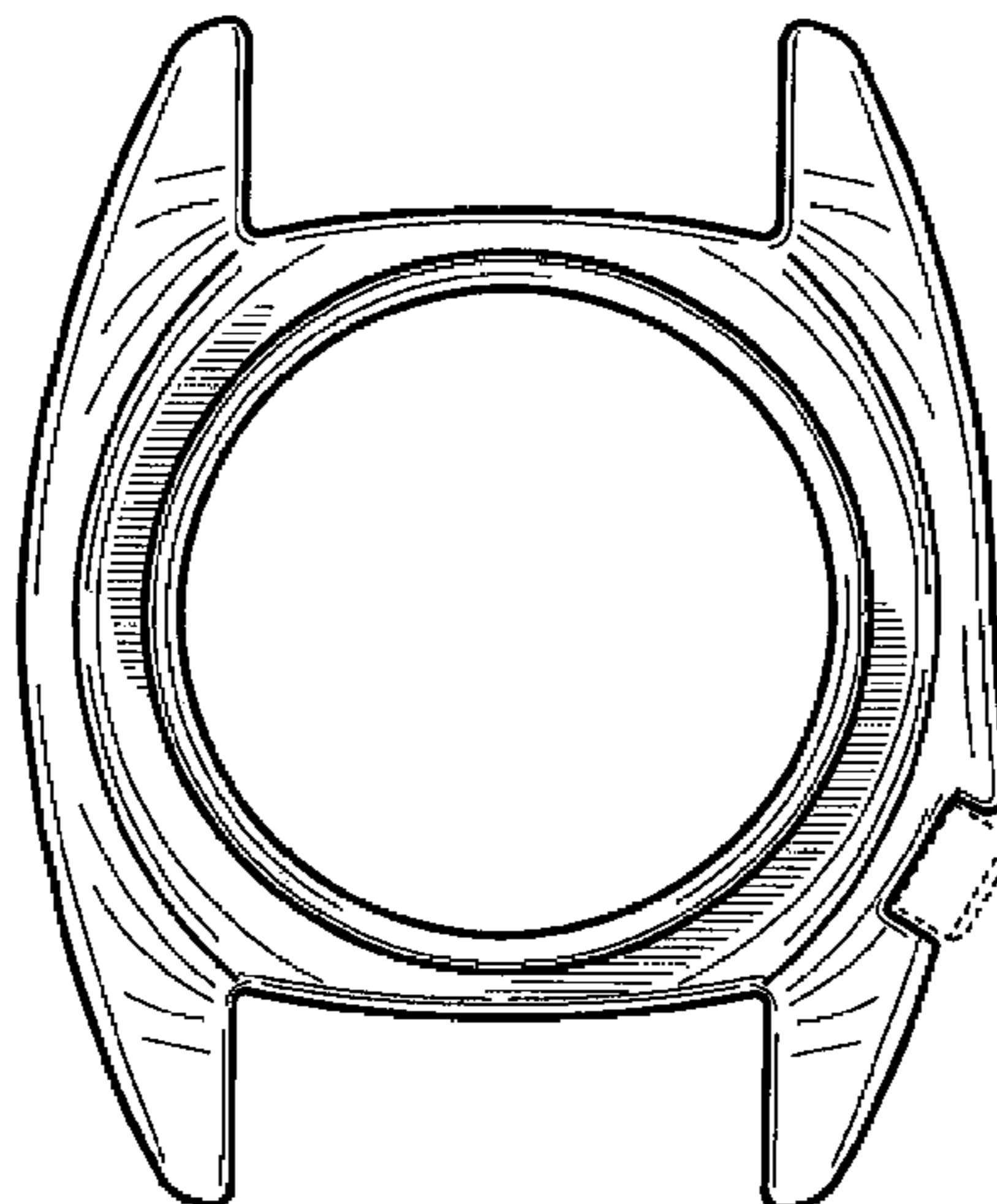
FIG. 5 is a left side view of the watch casing according to my design;

FIG. 6 is a front view of the watch casing according to my design; and,

FIG. 7 is a back view of the watch casing according to my design.

The broken line showing of FIGS. 1-4, 6 and 7 of the watch casing is for illustrative purposes only and forms no part of the claimed design.

1 Claim, 3 Drawing Sheets



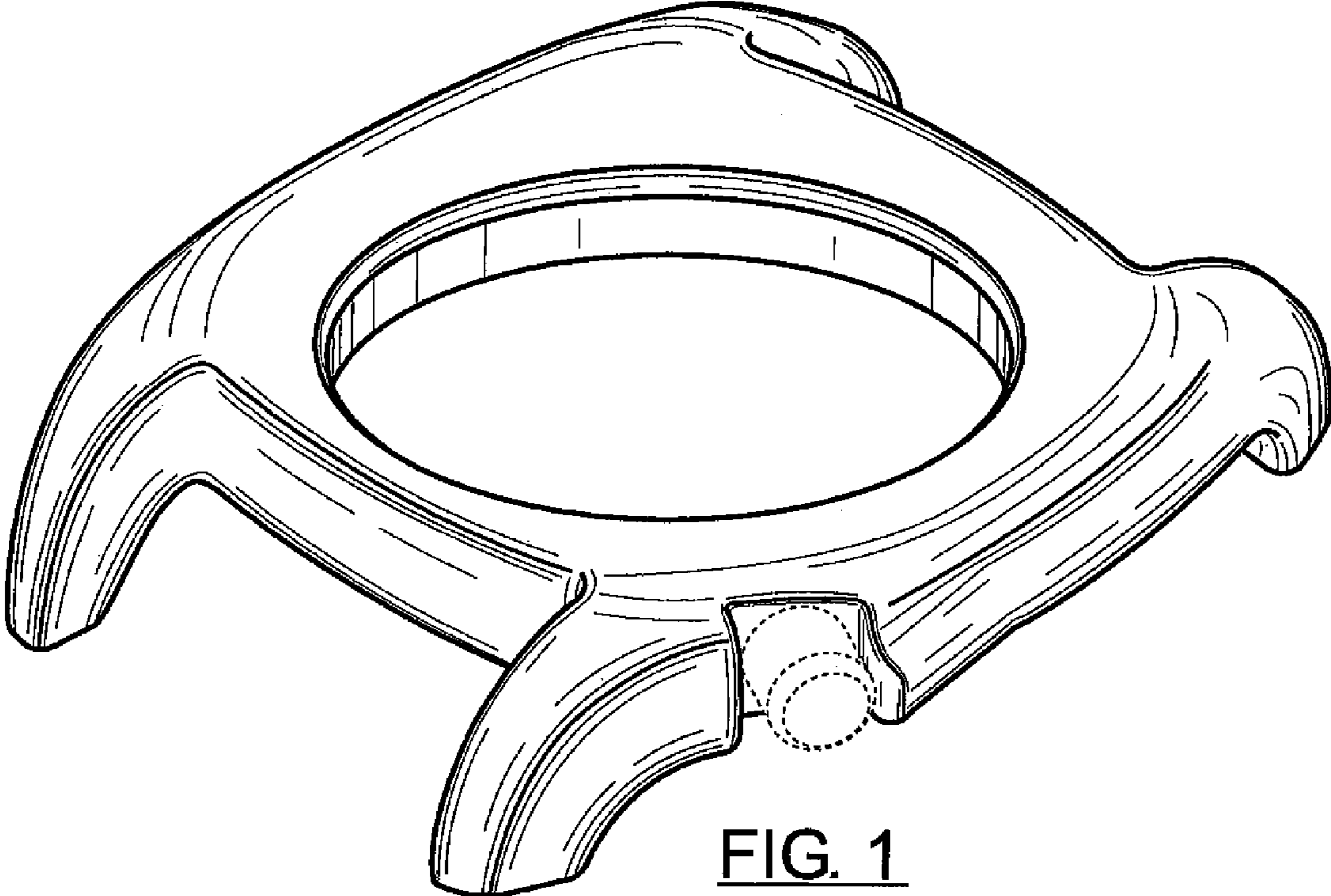


FIG. 1

