



US00D582293S

(12) **United States Design Patent**
Fasciano

(10) **Patent No.:** **US D582,293 S**

(45) **Date of Patent:** **** Dec. 9, 2008**

(54) **WATCH**

(75) Inventor: **Giovanni Fasciano**, Bari (IT)

(73) Assignee: **Global Watch Industries Srl**, Modugno (BA) (IT)

(**) Term: **14 Years**

(21) Appl. No.: **29/247,957**

(22) Filed: **Jul. 21, 2006**

(30) **Foreign Application Priority Data**

Jan. 25, 2006 (EM) 000469655

(51) **LOC (8) Cl.** **10-02**

(52) **U.S. Cl.** **D10/30**

(58) **Field of Classification Search** D10/30-40,
D10/122-132; D11/3-25; 224/164-168;
368/10, 21, 28-30, 223, 228, 232, 234, 239-242,
368/276-277, 280-283, 285, 294-295, 308,
368/319-321

See application file for complete search history.

(56) **References Cited**

U.S. PATENT DOCUMENTS

D195,421 S *	6/1963	Huguenin	D10/39
D221,289 S *	7/1971	VanHaafte	D10/39
D337,277 S *	7/1993	Scarlinzi et al.	D10/39
D415,694 S *	10/1999	Fichter	D10/30
D416,498 S *	11/1999	Blondin	D10/39

D418,427 S *	1/2000	Fichter	D10/30
D434,679 S *	12/2000	Dumas	D10/39
D490,719 S *	6/2004	Schoepfer	D10/32
D518,388 S *	4/2006	Bitetto	D10/31
D520,384 S *	5/2006	Scheufele	D10/39
D549,113 S *	8/2007	Duong	D10/32

* cited by examiner

Primary Examiner—Caron Veynar

Assistant Examiner—Ricky Pham

(74) *Attorney, Agent, or Firm*—Panitch Schwarze Belisario & Nadel LLP

(57) **CLAIM**

The ornamental design for a watch, as shown and described.

DESCRIPTION

FIG. 1 is a front elevational view of a watch in accordance with my new design;

FIG. 2 is a left-side elevational view thereof;

FIG. 3 is a right-side elevational view thereof;

FIG. 4 is a rear elevational view thereof;

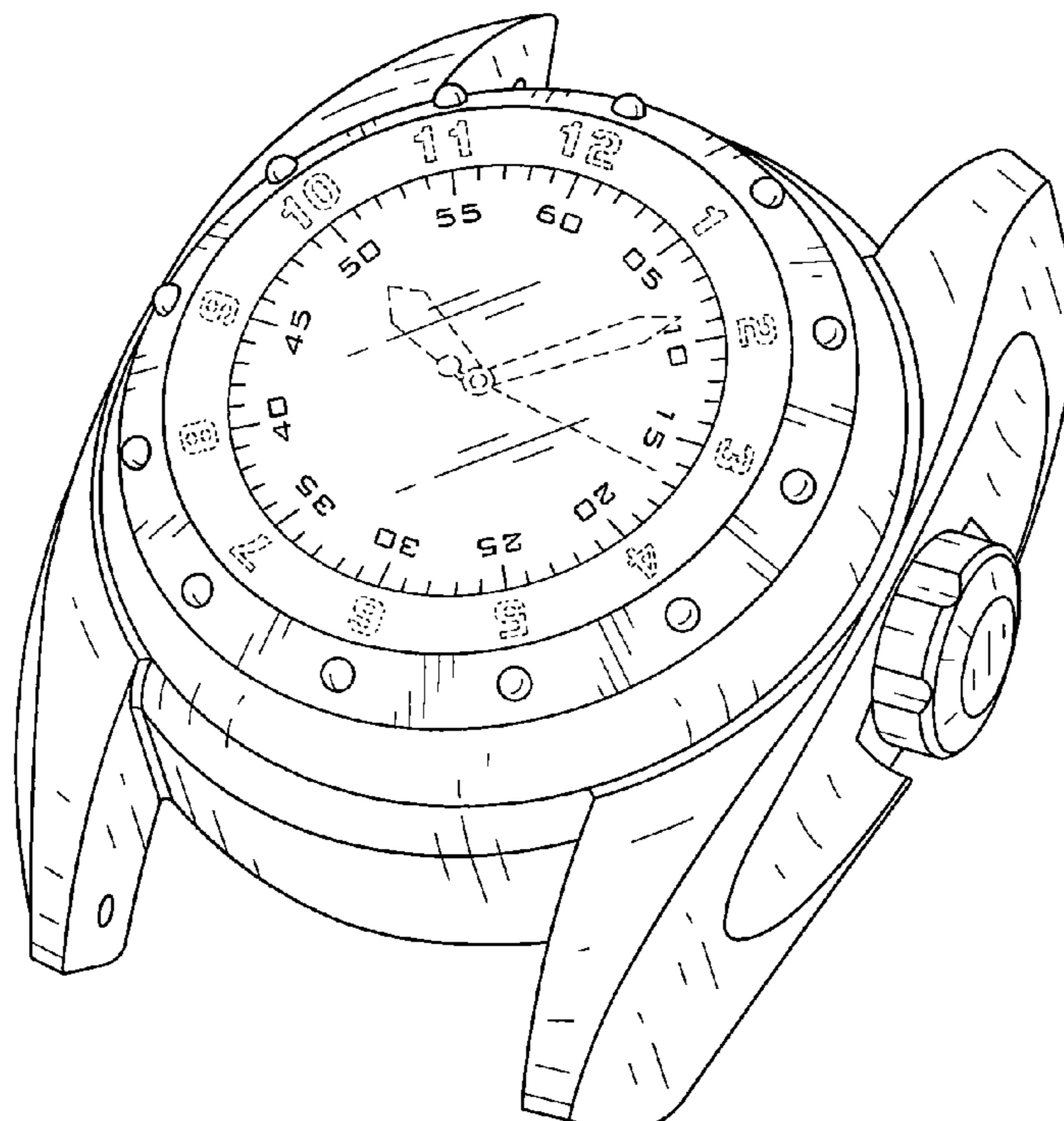
FIG. 5 is a top plan view thereof;

FIG. 6 is a bottom plan view thereof; and,

FIG. 7 is a front perspective view thereof.

The broken lines in the figures are for illustrative purposes only and form no part of the claimed design.

1 Claim, 5 Drawing Sheets



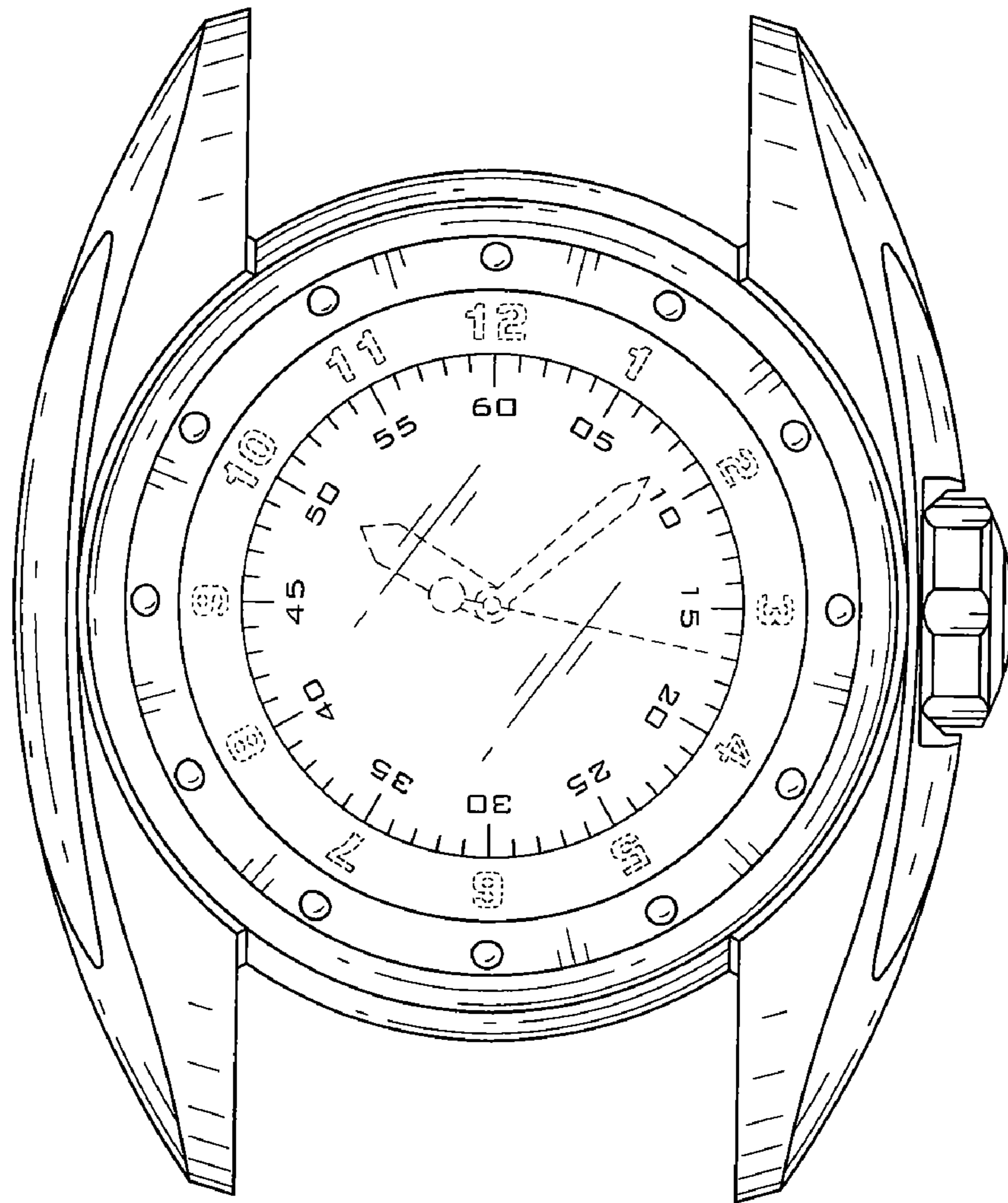


Fig. 1

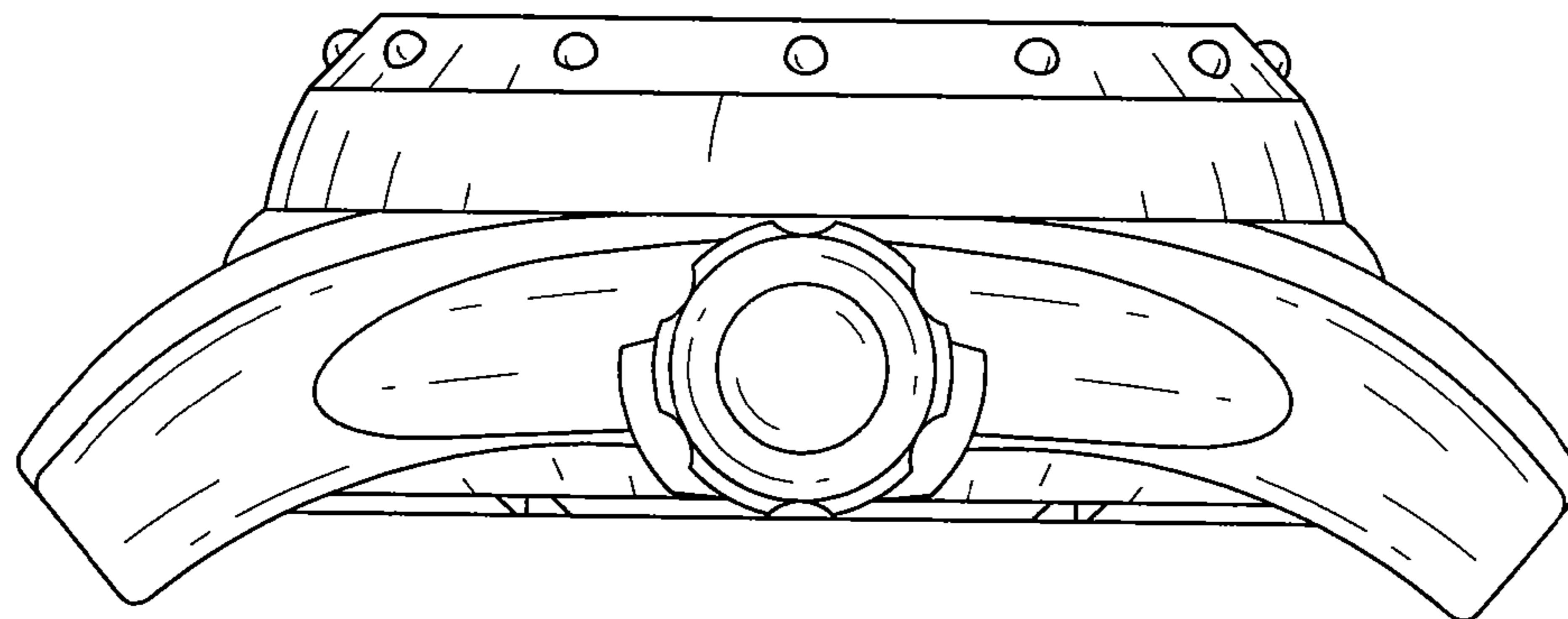


Fig. 2

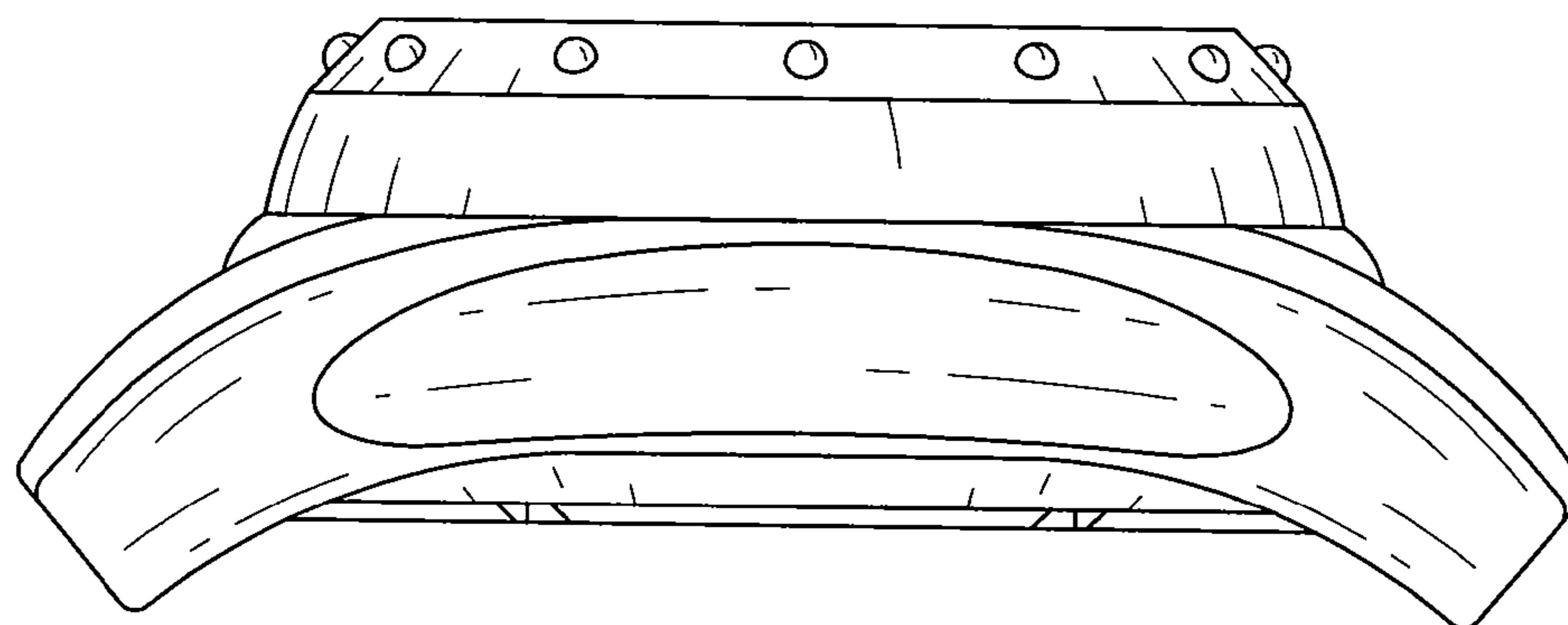


Fig. 3

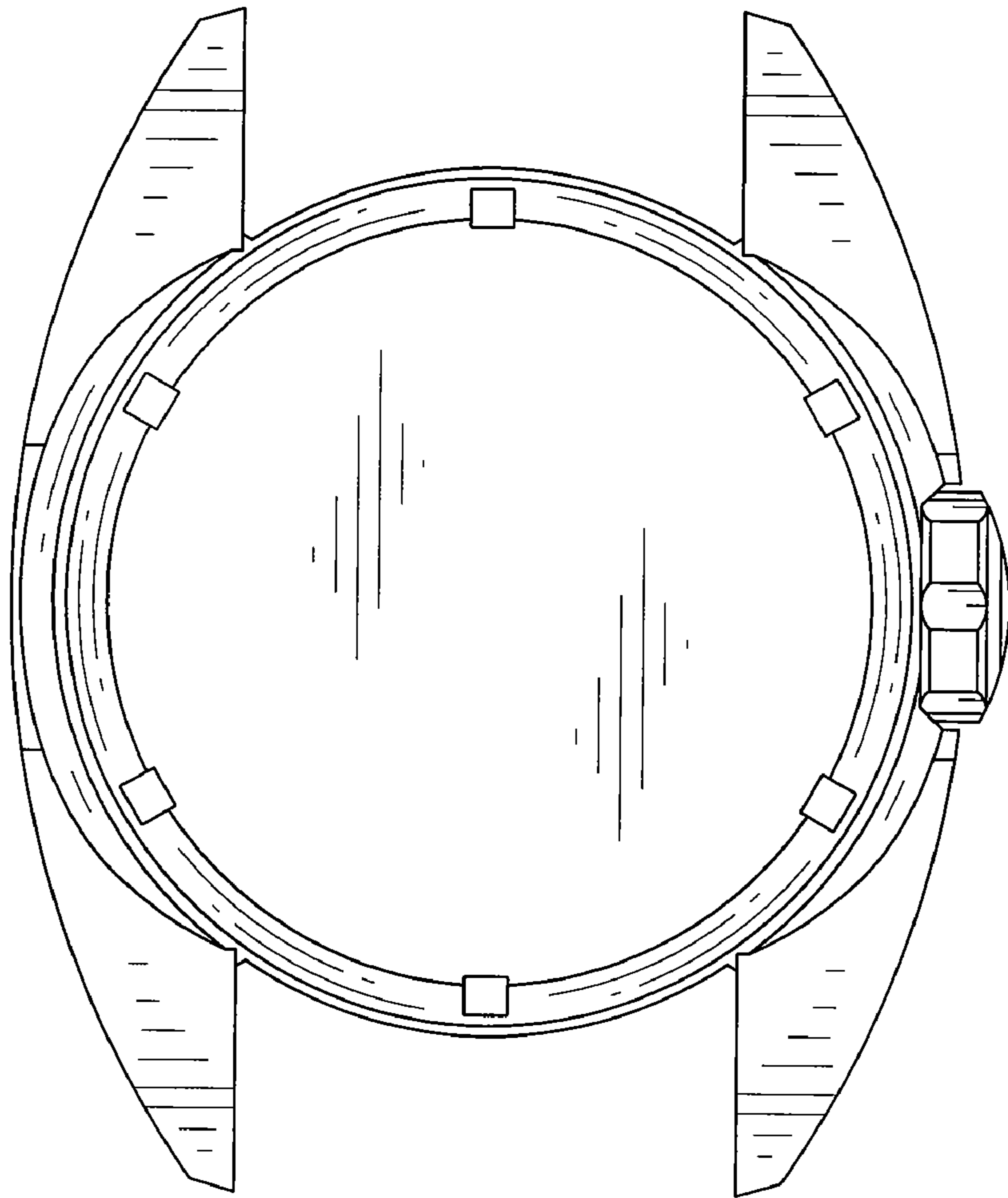


Fig. 4

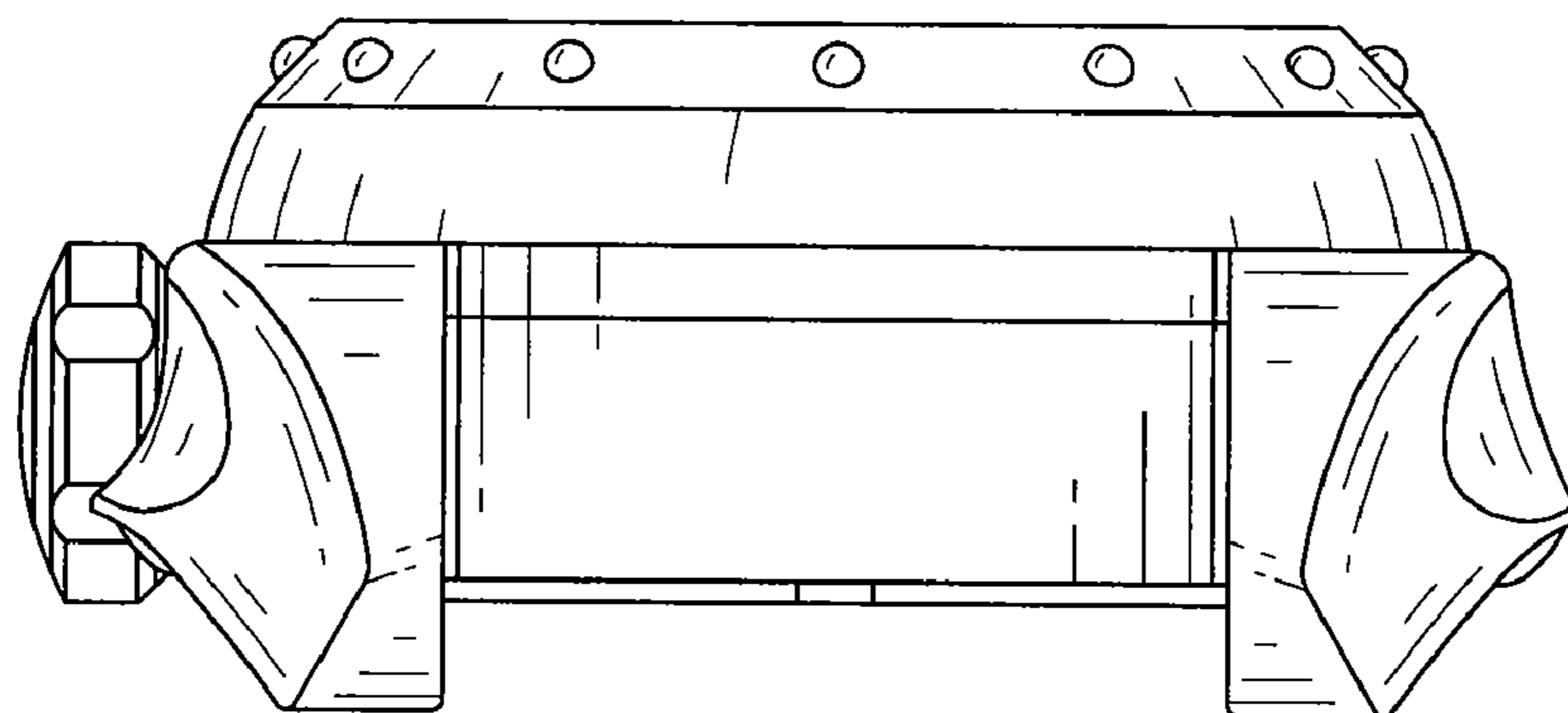


Fig. 5

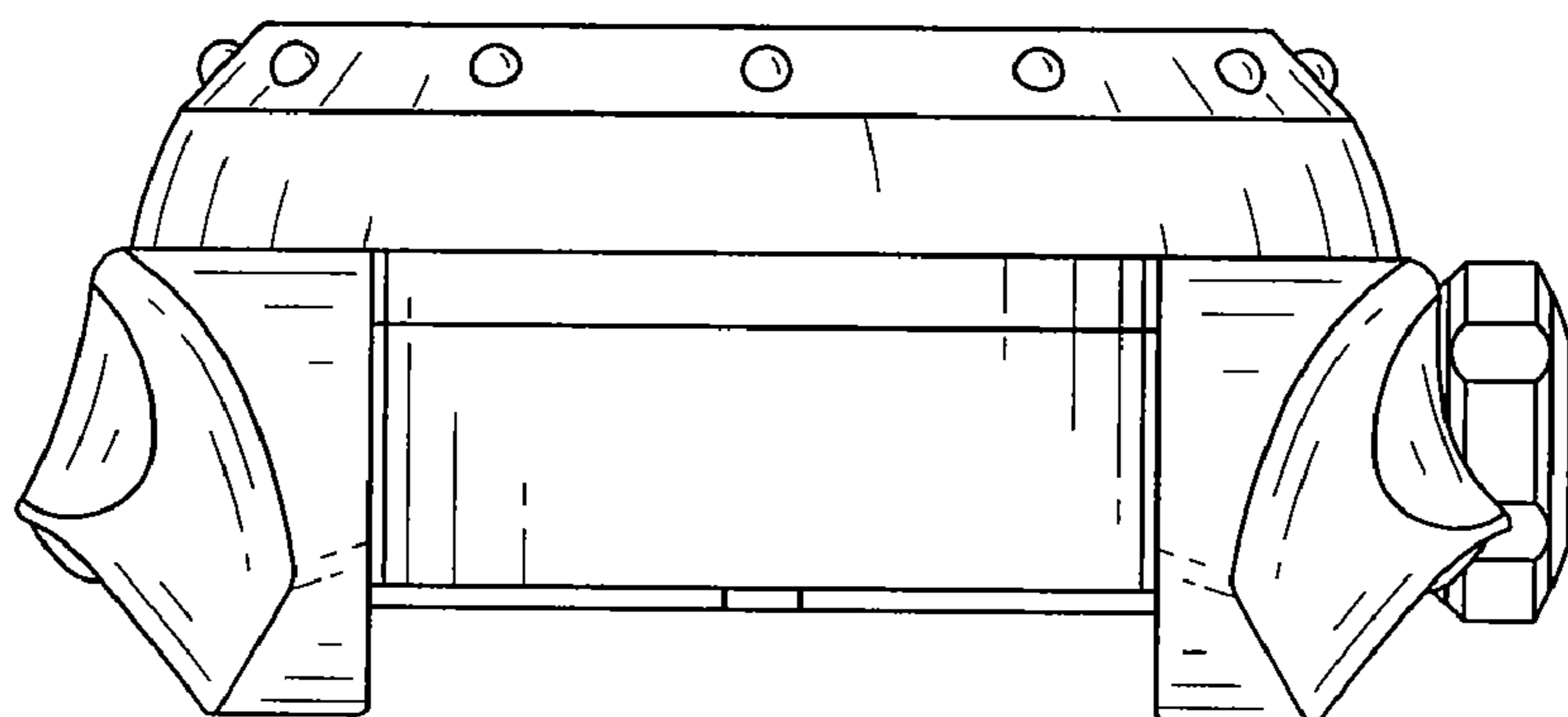


Fig. 6

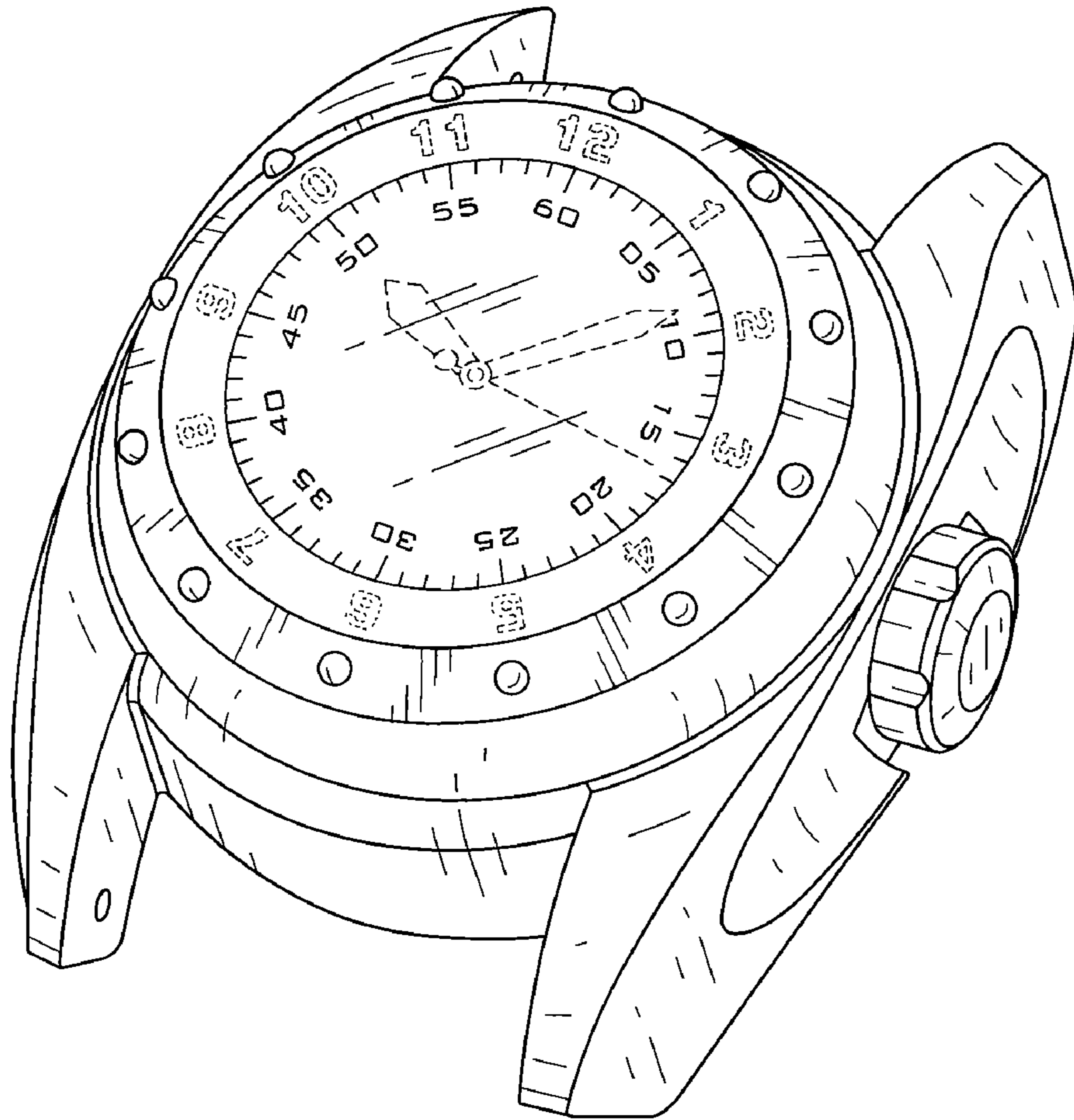


Fig. 7