



US00D582289S

(12) **United States Design Patent**  
**Kissinger et al.**

(10) **Patent No.:** **US D582,289 S**

(45) **Date of Patent:** **\*\* Dec. 9, 2008**

(54) **PLASTIC CONTAINER**

D565,417 S \* 4/2008 Lee et al. .... D9/541

(75) Inventors: **Jeffrey Kissinger**, Wadsworth, OH (US);  
**J. Steven Little**, Wadsworth, OH (US);  
**James C. Dorn**, Norton, OH (US);  
**James J. Miller**, Barberton, OH (US)

\* cited by examiner

*Primary Examiner*—Nanda Bondade

(74) *Attorney, Agent, or Firm*—Dykema Gossett PLLC

(73) Assignee: **Plastipak Packaging, Inc.**, Plymouth,  
MI (US)

(57) **CLAIM**

The ornamental design for a plastic container, as shown and described.

(\*\*) Term: **14 Years**

(21) Appl. No.: **29/292,919**

(22) Filed: **Nov. 1, 2007**

(51) **LOC (8) Cl.** ..... **09-01**

(52) **U.S. Cl.** ..... **D9/543; D9/570**

(58) **Field of Classification Search** ..... D9/435,  
D9/449, 454, 516, 530, 541–543, 556–557,  
D9/563, 565–566, 569–571, 573–575; 215/381–385,  
215/396, 398; 220/660, 669, 675; D7/629  
See application file for complete search history.

**DESCRIPTION**

FIG. 1 is a perspective view showing the top, rear and left side of a plastic container of the present invention showing our new design;

FIG. 2 is a perspective view thereof showing the bottom, rear and right side;

FIG. 3 is a rear elevation view thereof;

FIG. 4 is a front elevation view thereof;

FIG. 5 is a top plan view thereof;

FIG. 6 is a bottom plan view thereof;

FIG. 7 is a right side elevation view thereof; and,

FIG. 8 is a left side elevation view thereof.

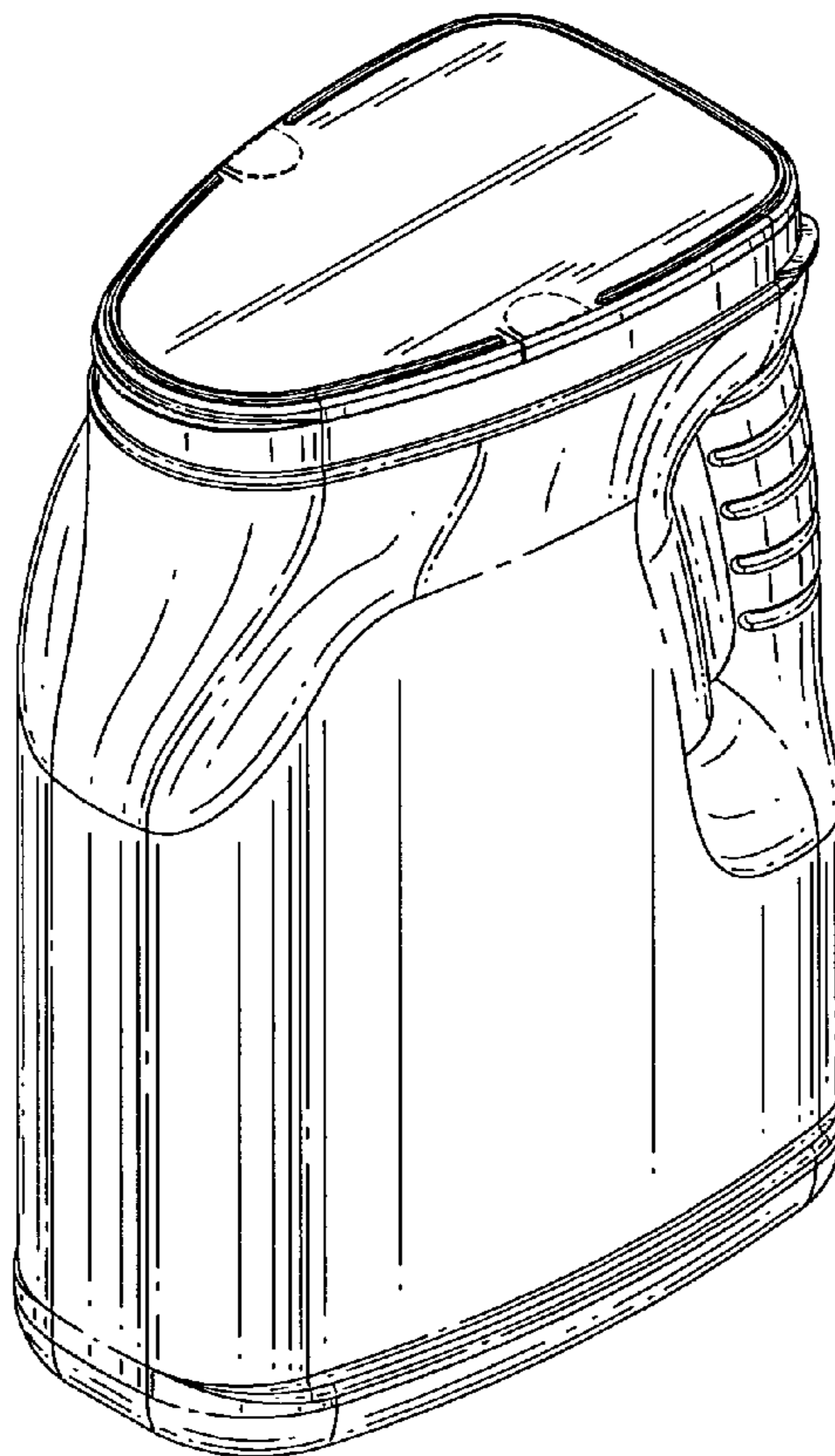
The broken lines shown in the drawings are for illustrative purposes only and form no part of the claimed design.

(56) **References Cited**

**U.S. PATENT DOCUMENTS**

- D352,904 S \* 11/1994 Kearse et al. .... D9/523
- D524,657 S \* 7/2006 Harris et al. .... D9/522
- D543,853 S \* 6/2007 Little et al. .... D9/523
- D543,862 S \* 6/2007 Miller et al. .... D9/543

**1 Claim, 3 Drawing Sheets**



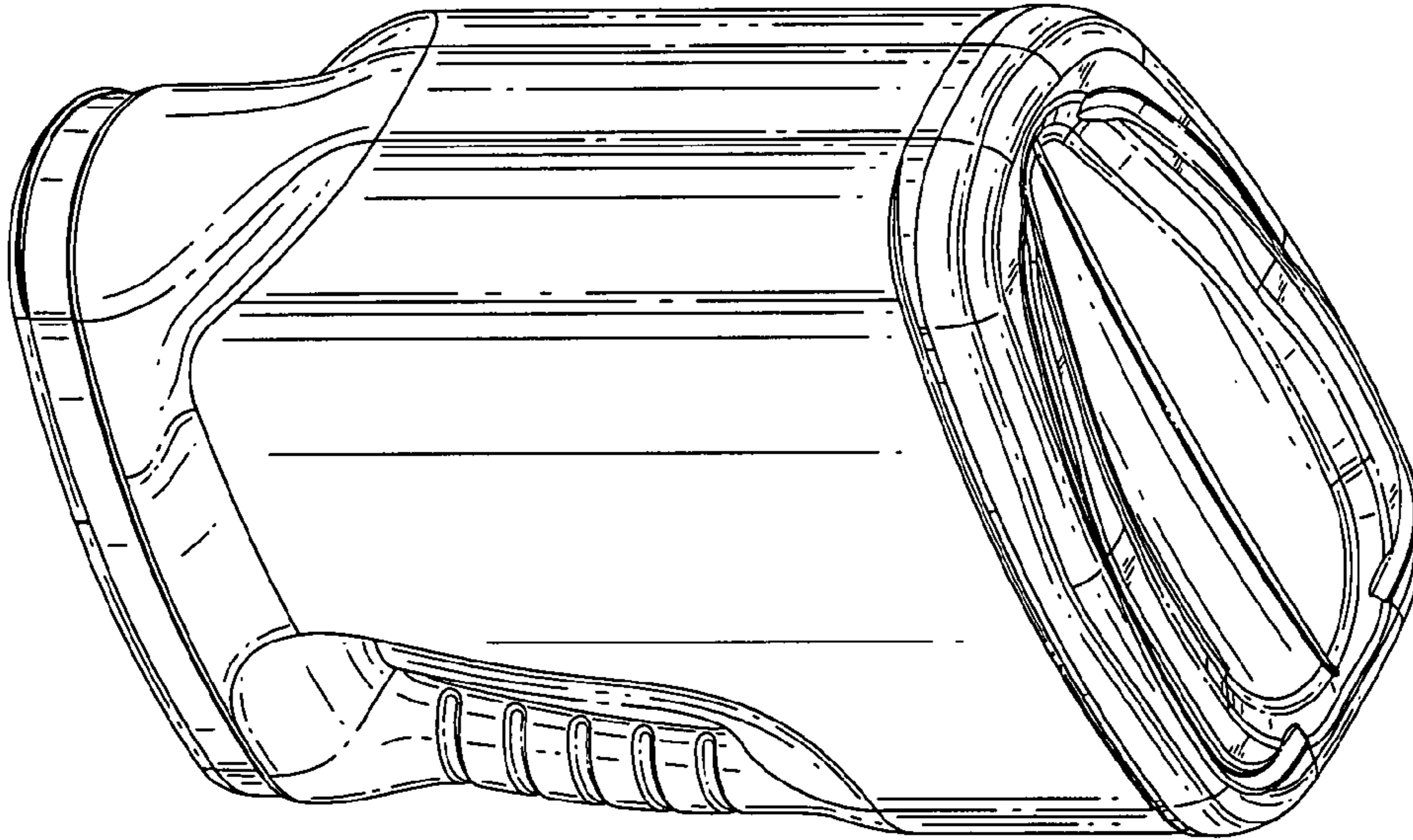


FIG. 2

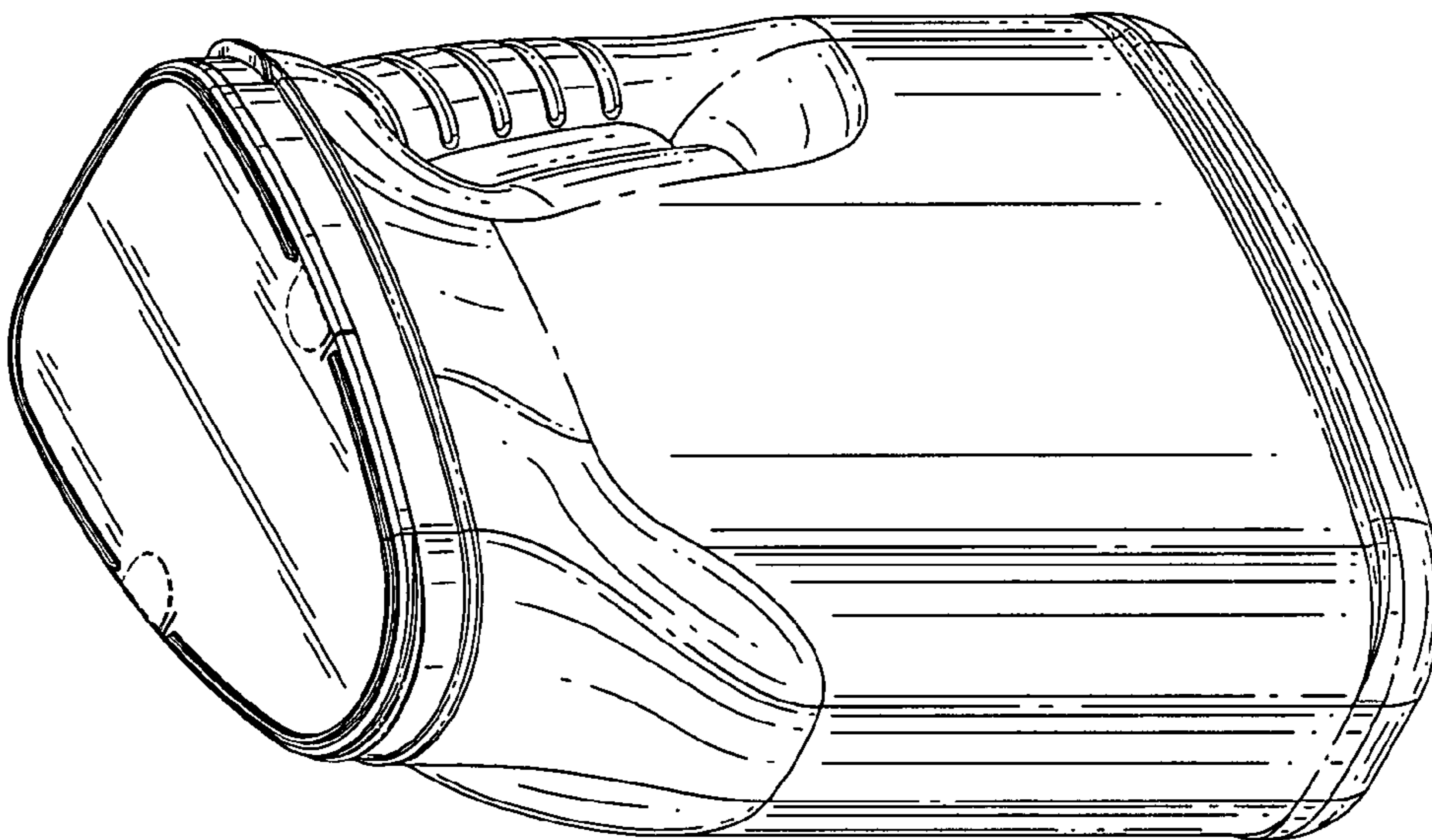


FIG. 1

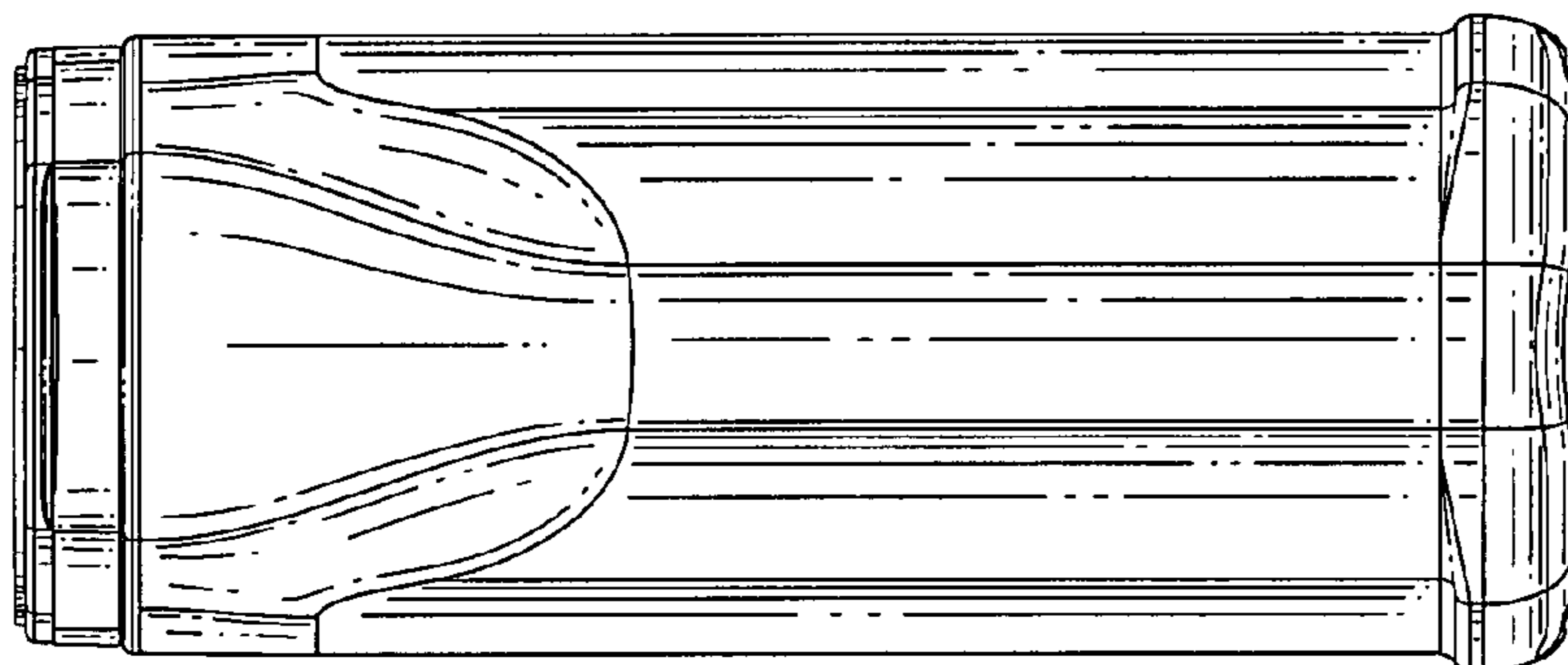


FIG. 3

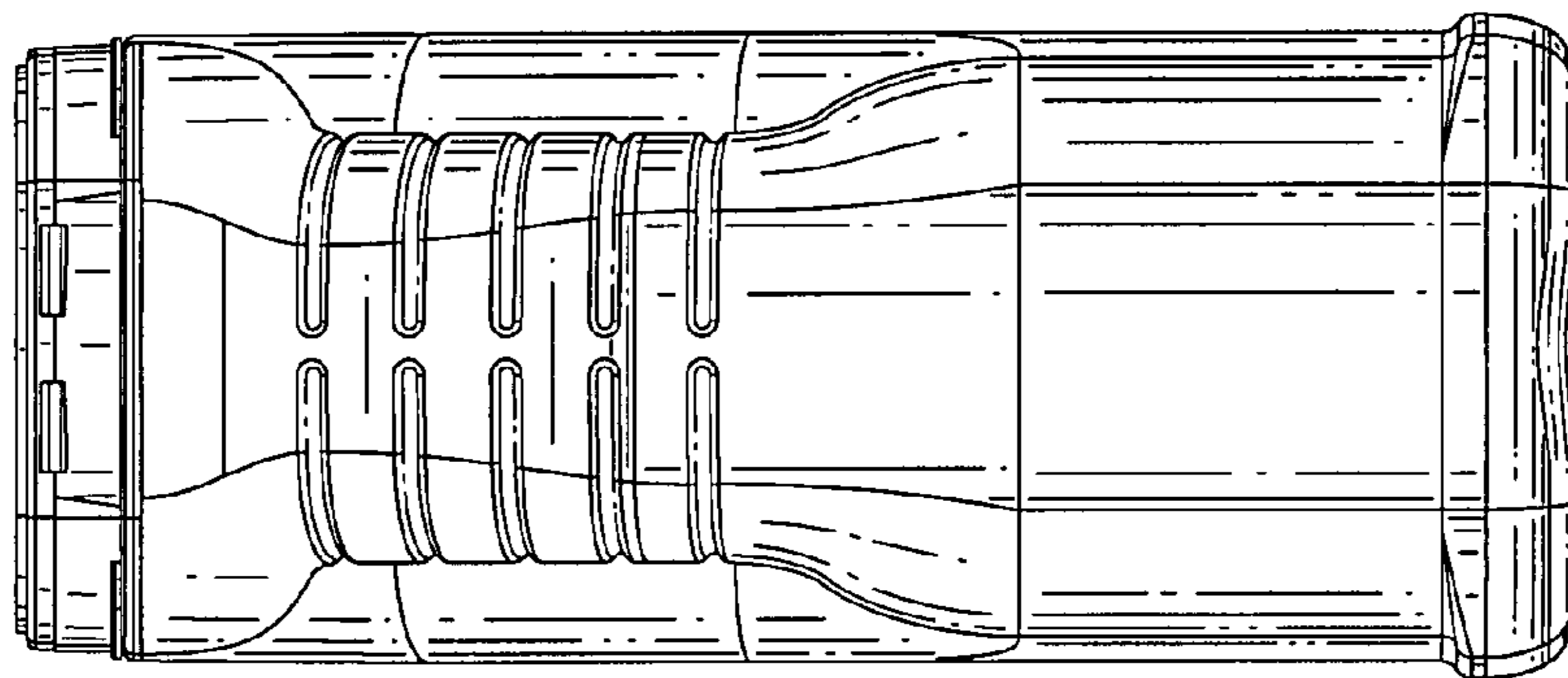


FIG. 4

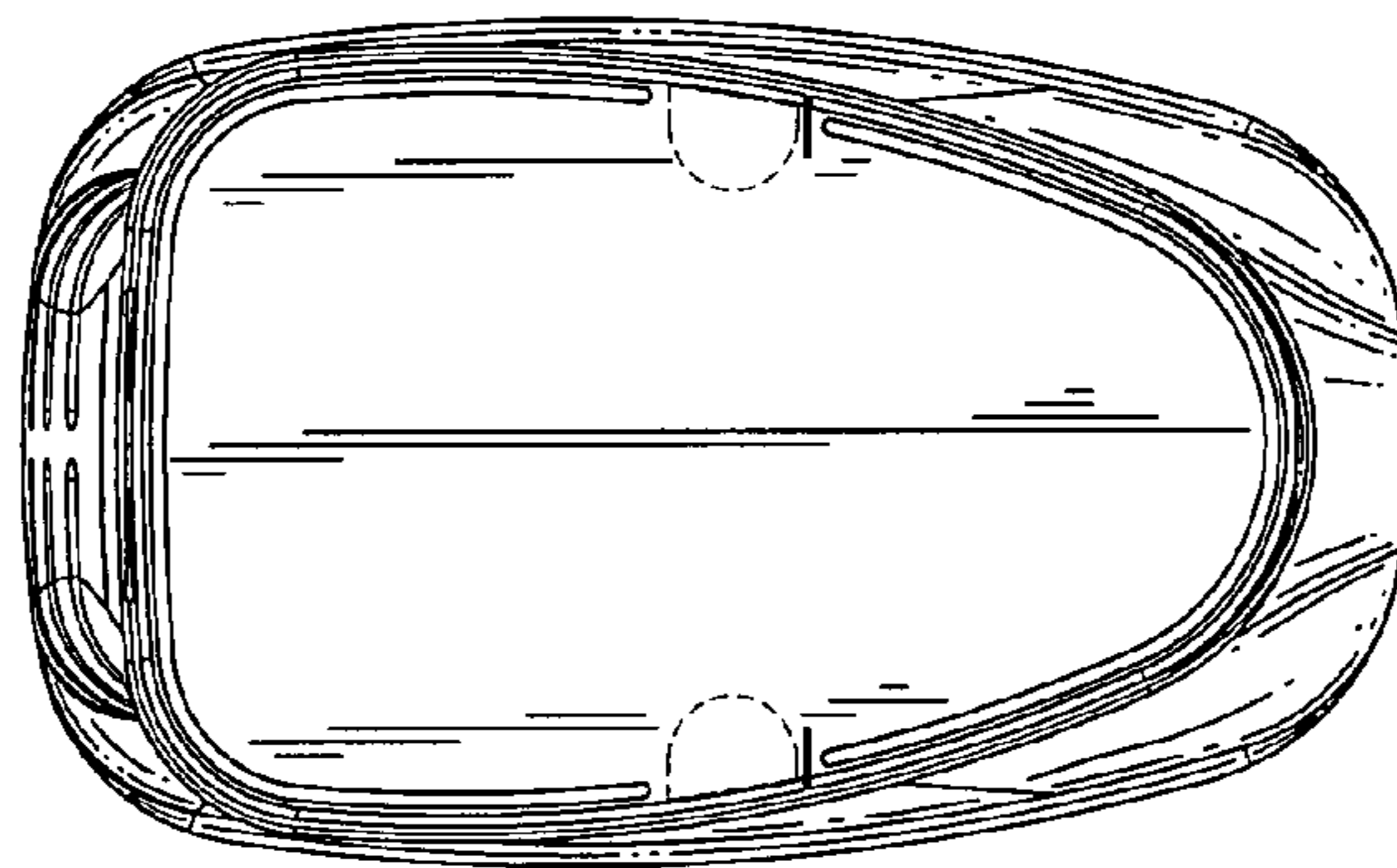


FIG. 5

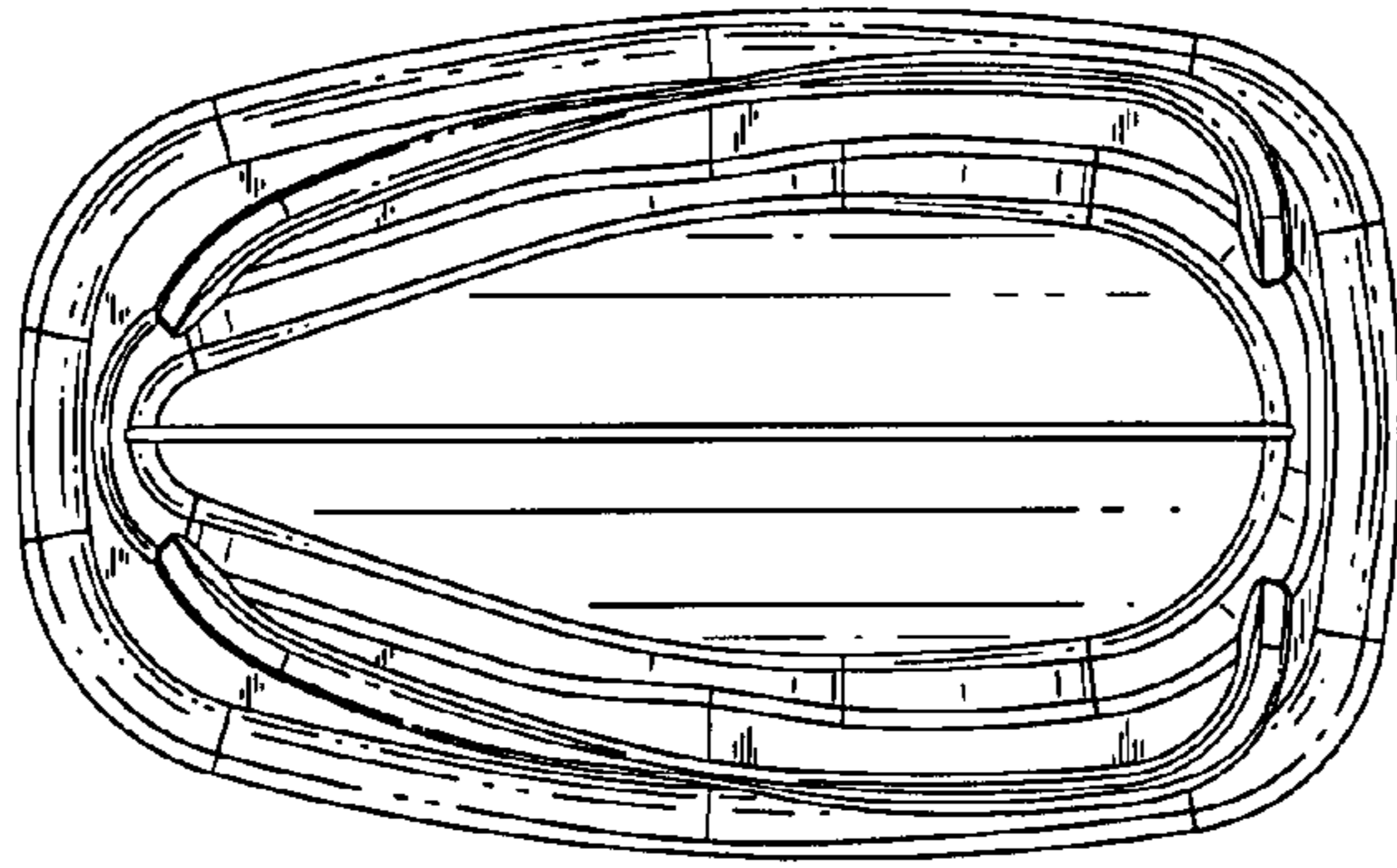


FIG. 6

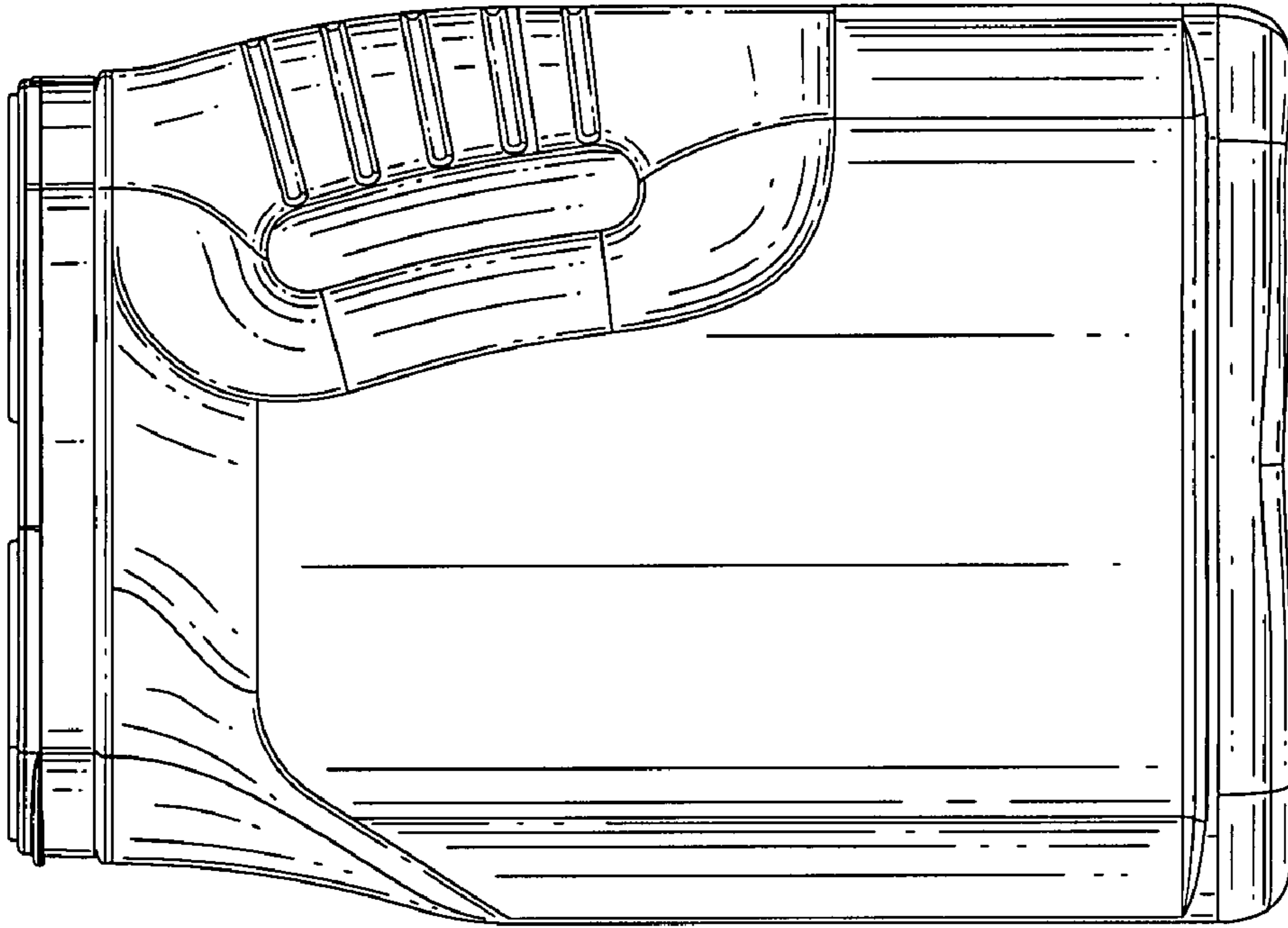


FIG. 8

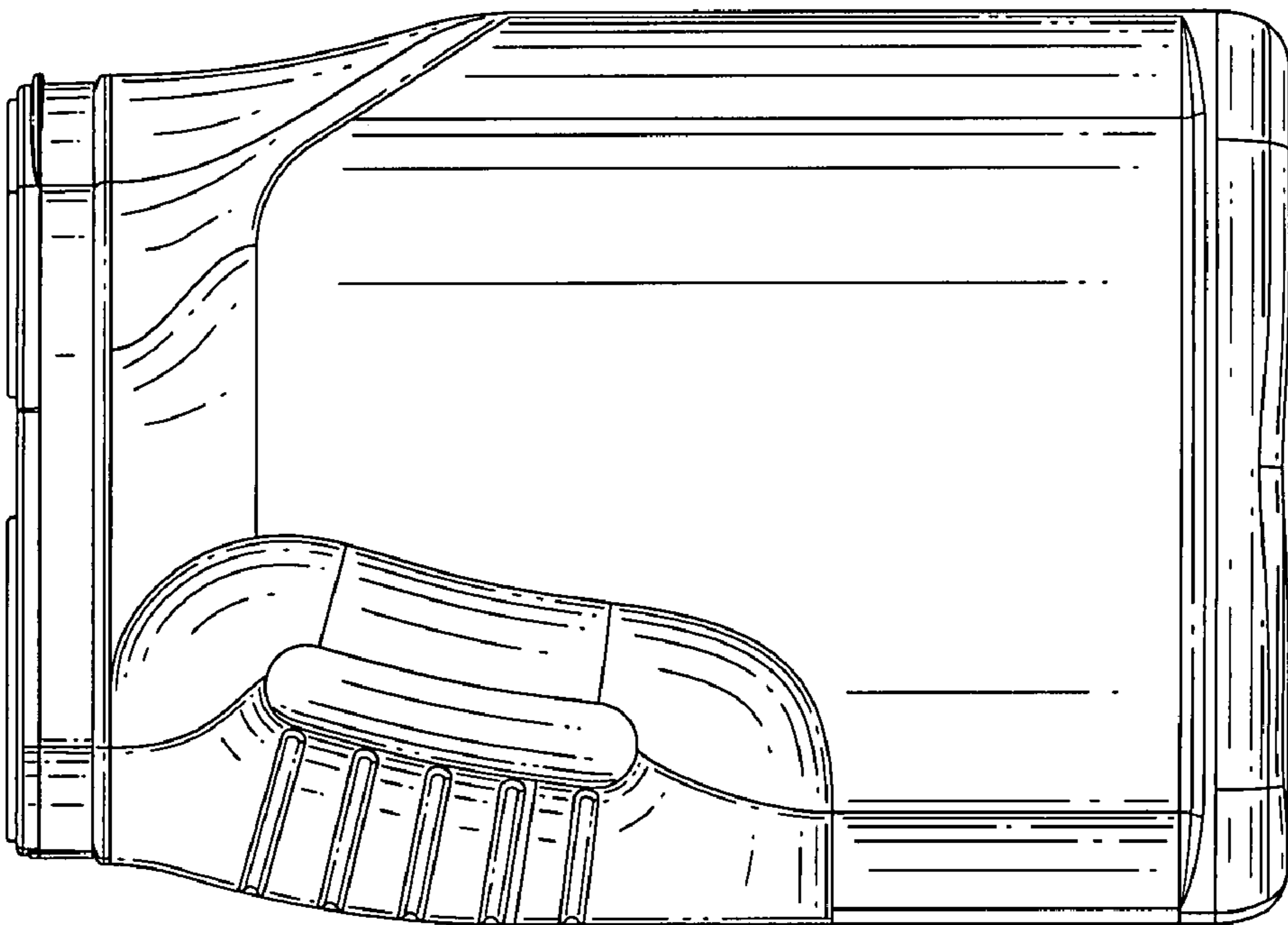


FIG. 7