



US00D582288S

(12) **United States Design Patent**
Lovelace, Jr. et al.

(10) **Patent No.:** **US D582,288 S**
(45) **Date of Patent:** **** Dec. 9, 2008**

(54) **PLASTIC CONTAINER**

(75) Inventors: **Richard A. Lovelace, Jr.**, Munroe Falls, OH (US); **Richard C. Darr**, Medina, OH (US)

(73) Assignee: **Plastipak Packaging, Inc.**, Plymouth, MI (US)

(**) Term: **14 Years**

(21) Appl. No.: **29/294,776**

(22) Filed: **Jan. 28, 2008**

Related U.S. Application Data

(63) Continuation-in-part of application No. 29/294,174, filed on Dec. 26, 2007.

(51) **LOC (8) Cl.** **09-01**

(52) **U.S. Cl.** **D9/538; D9/539; D9/556; D9/571**

(58) **Field of Classification Search** D9/686, D9/688-693, 500, 502-505, 516, 520, 529, D9/537-540, 546, 549, 552, 556-557, 565, D9/571, 773-775; 215/282-384, 396, 398, 215/12.2

See application file for complete search history.

(56) **References Cited**

U.S. PATENT DOCUMENTS

D61,669	S	*	11/1922	Steinberger	D9/557
D64,568	S	*	4/1924	Schwenck	D9/538
D67,468	S	*	6/1925	Mas	D9/538
D69,992	S	*	4/1926	Grannan	D9/538
D86,033	S	*	1/1932	Lalique	D9/571 X
D166,542	S	*	4/1952	Kunett	D9/540
D214,424	S	*	6/1969	Neese	D9/556
5,067,622	A	*	11/1991	Garver et al.	215/381

D331,881	S	*	12/1992	Garver et al.	D9/557 X
5,704,504	A	*	1/1998	Bueno	215/381
5,988,417	A	*	11/1999	Cheng et al.	215/383
D421,910	S	*	3/2000	Warner et al.	D9/537 X
D425,424	S	*	5/2000	Cheng et al.	D9/552 X
D428,813	S	*	8/2000	Haley	D9/500
D467,179	S	*	12/2002	Nelson et al.	D9/549 X
6,662,960	B2	*	12/2003	Hong et al.	215/381
D556,595	S	*	12/2007	Rucinski	D9/558
D568,163	S	*	5/2008	Melrose et al.	D9/538
D573,025	S	*	7/2008	Darr et al.	D9/516
D573,891	S	*	7/2008	Darr et al.	D9/538

* cited by examiner

Primary Examiner—Carol Rademaker

(74) *Attorney, Agent, or Firm*—Dykema Gossett PLLC

(57) **CLAIM**

The ornamental design for a plastic container, as shown and described.

DESCRIPTION

FIG. 1 is a top, front, and right side perspective view of a plastic container showing our new design;

FIG. 2 is a bottom, front, and right side perspective view thereof;

FIG. 3 is a front elevational view thereof;

FIG. 4 is a right side elevational view thereof;

FIG. 5 is a left side elevational view thereof;

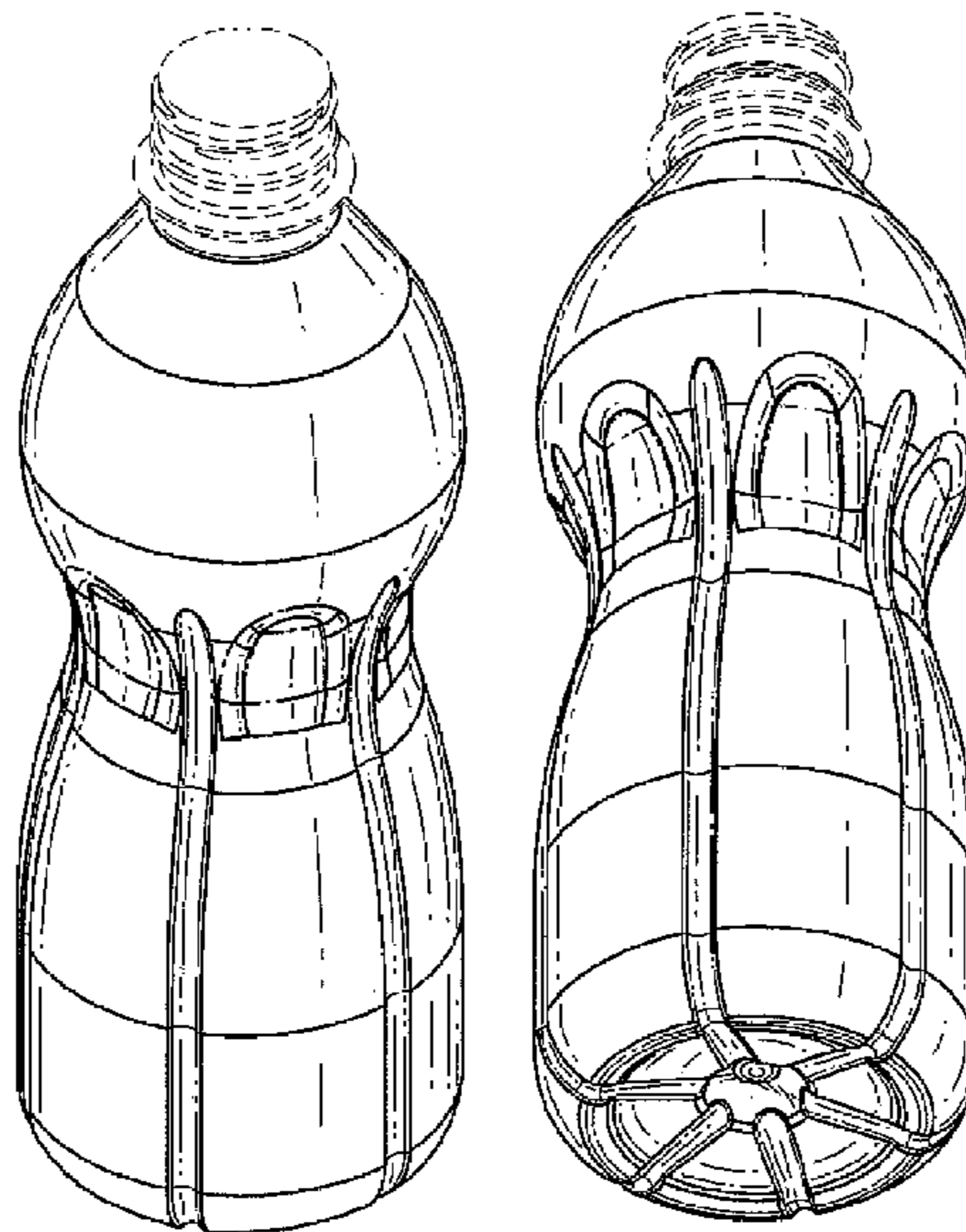
FIG. 6 is a rear elevational view thereof;

FIG. 7 is a top plan view thereof; and,

FIG. 8 is a bottom plan view thereof.

The broken lines shown in the drawing views are included for the purpose of showing environmental structure that forms no part of the claimed design.

1 Claim, 3 Drawing Sheets



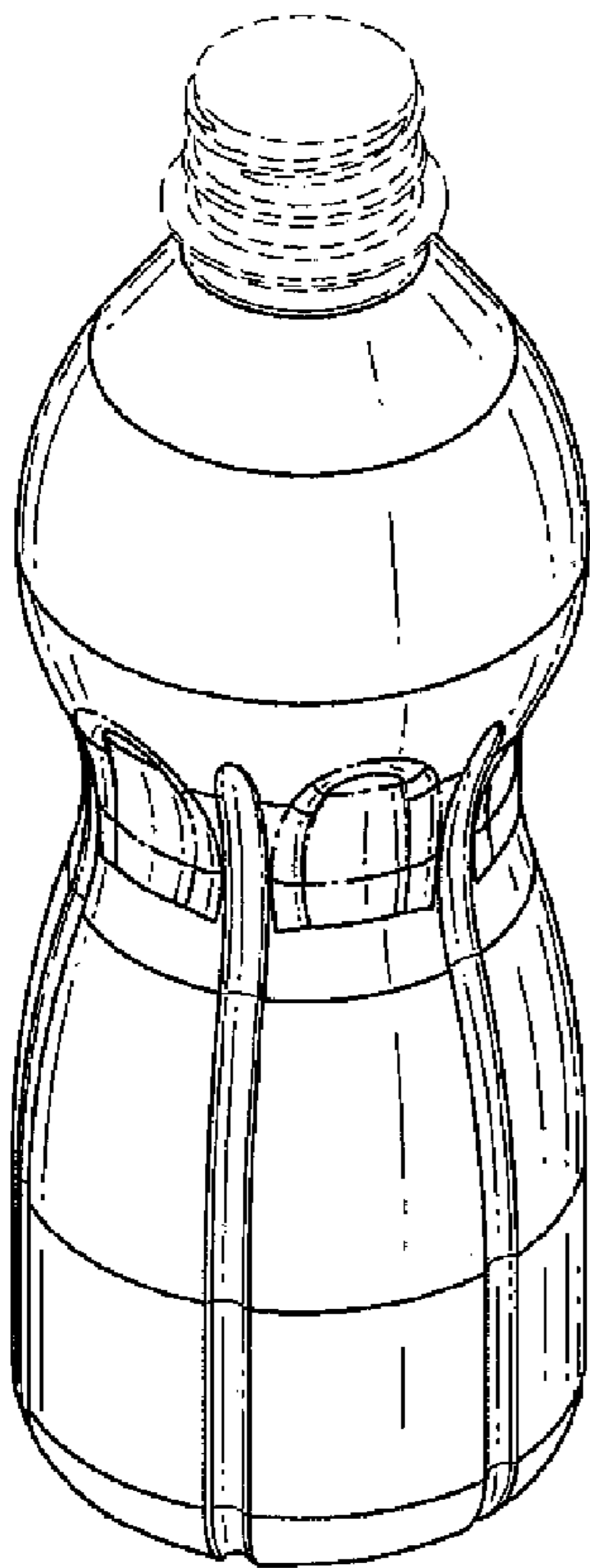


FIG. 1

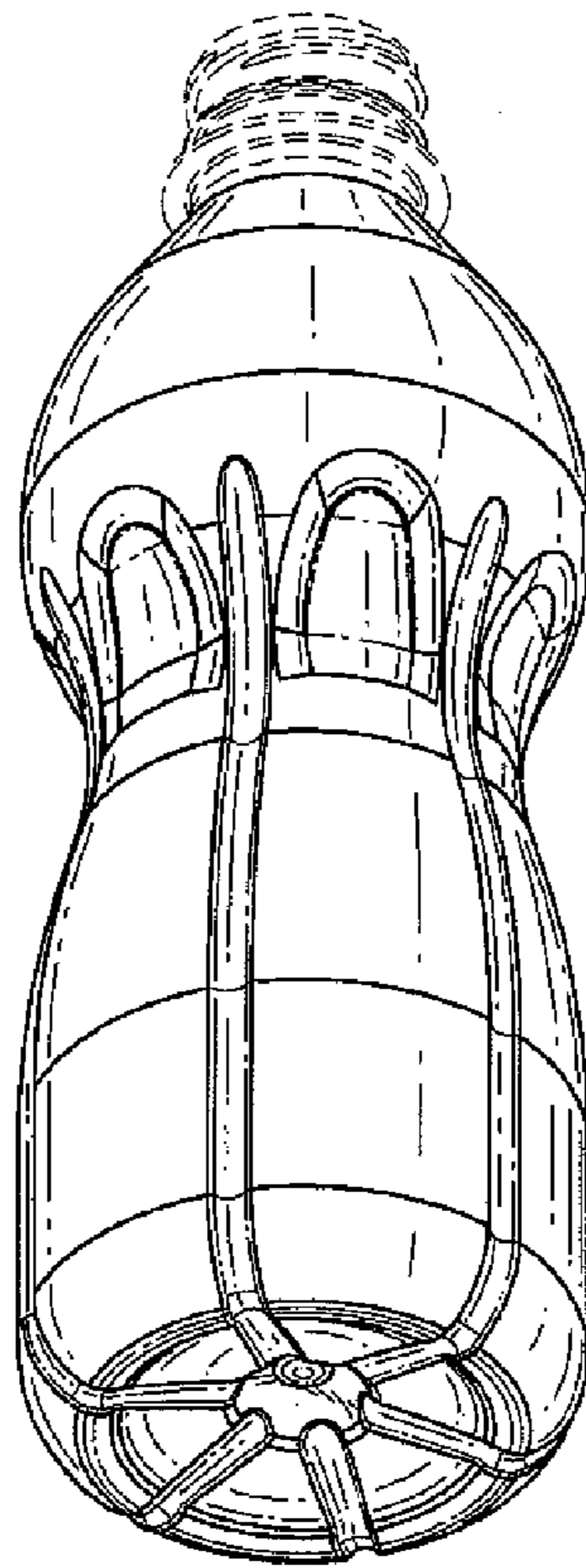


FIG. 2

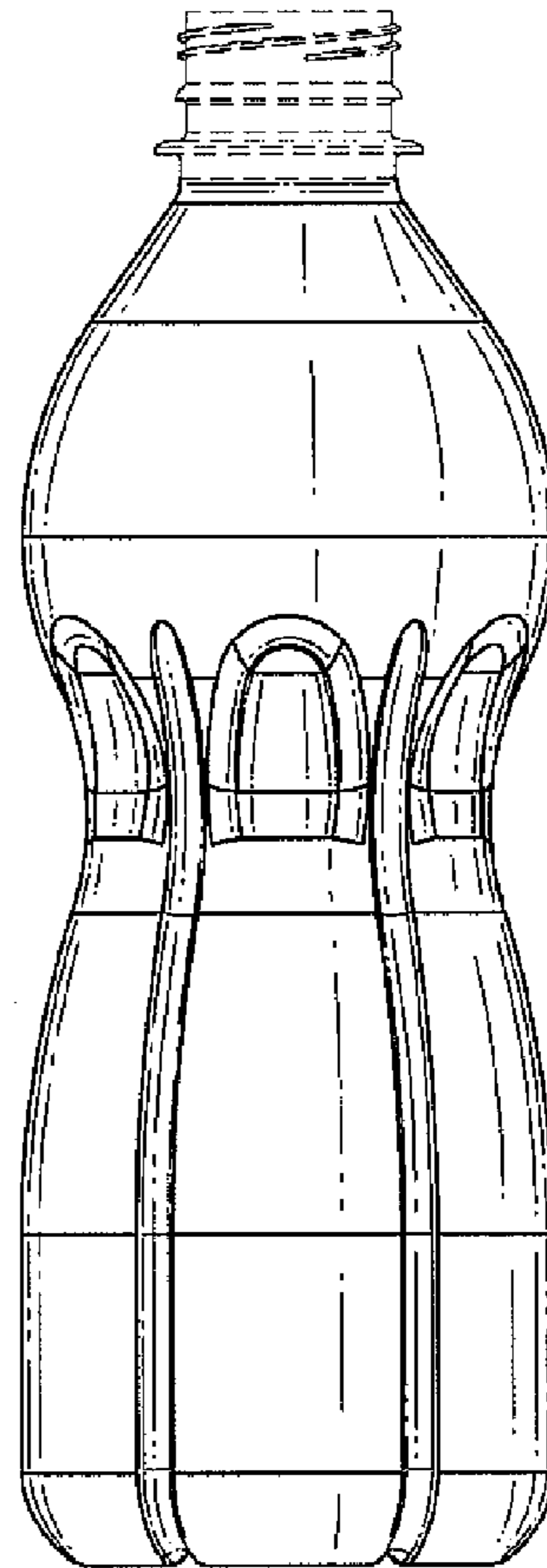


FIG. 3

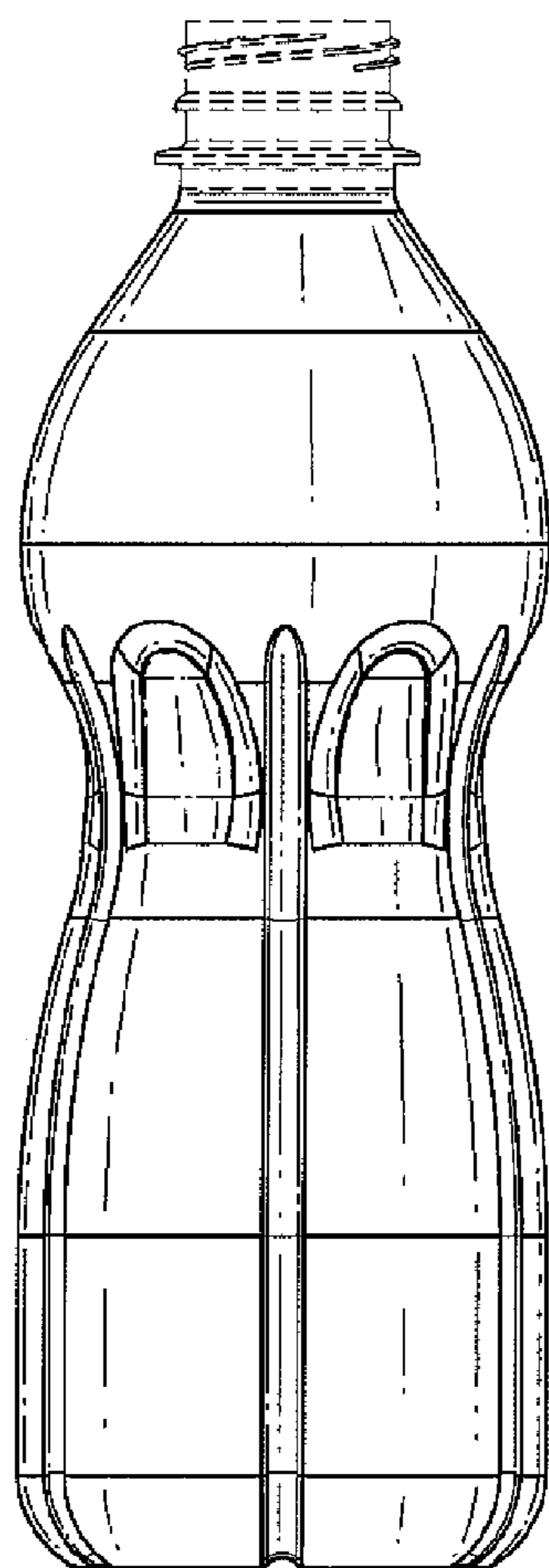


FIG. 4

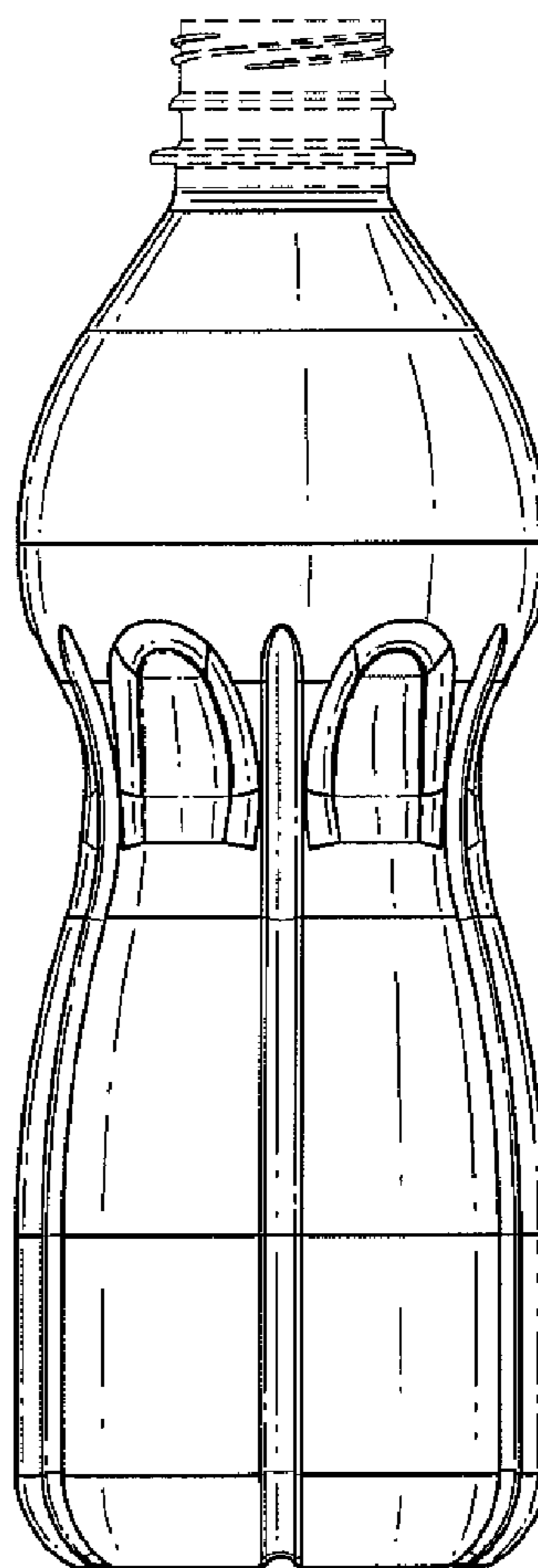


FIG. 5

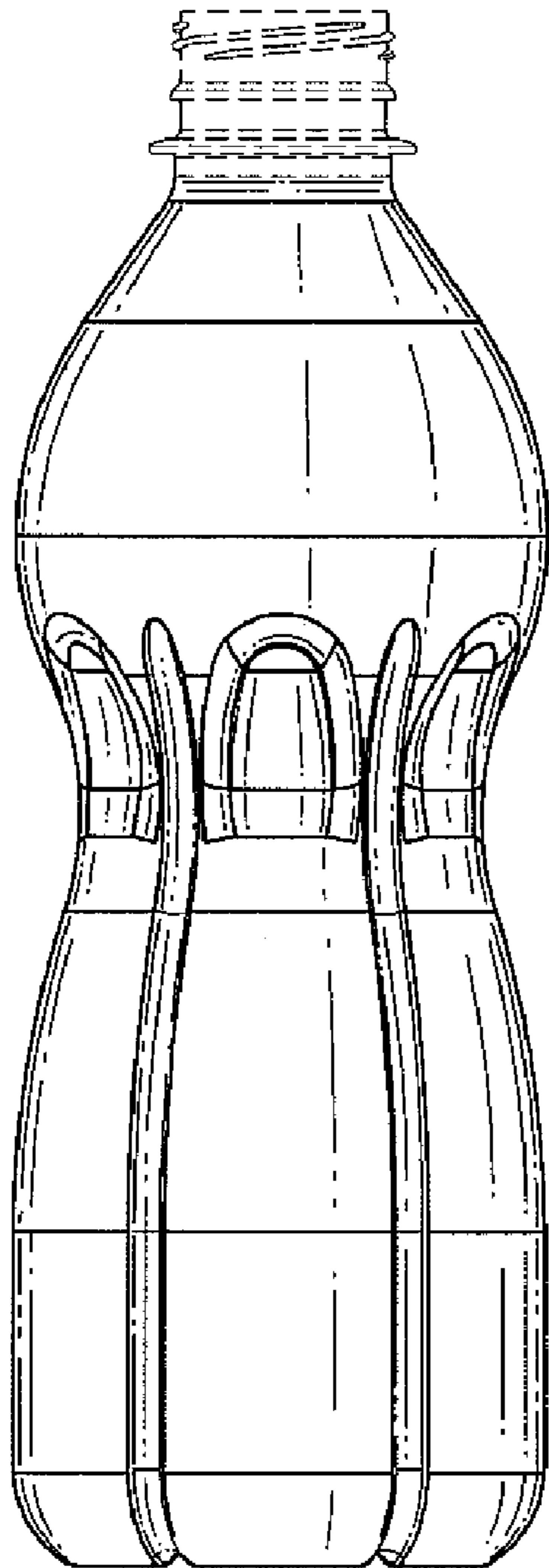


FIG. 6

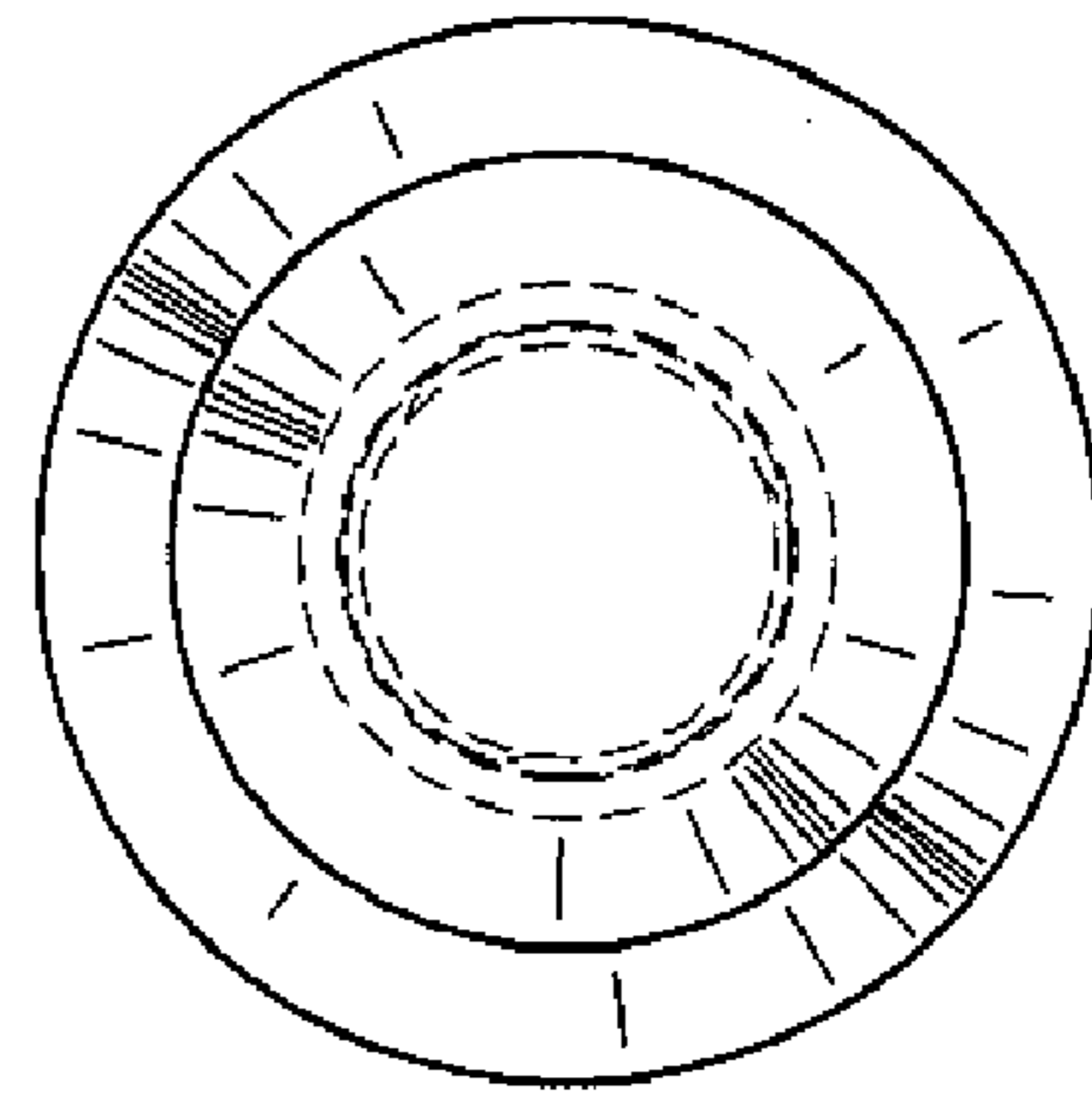


FIG. 7

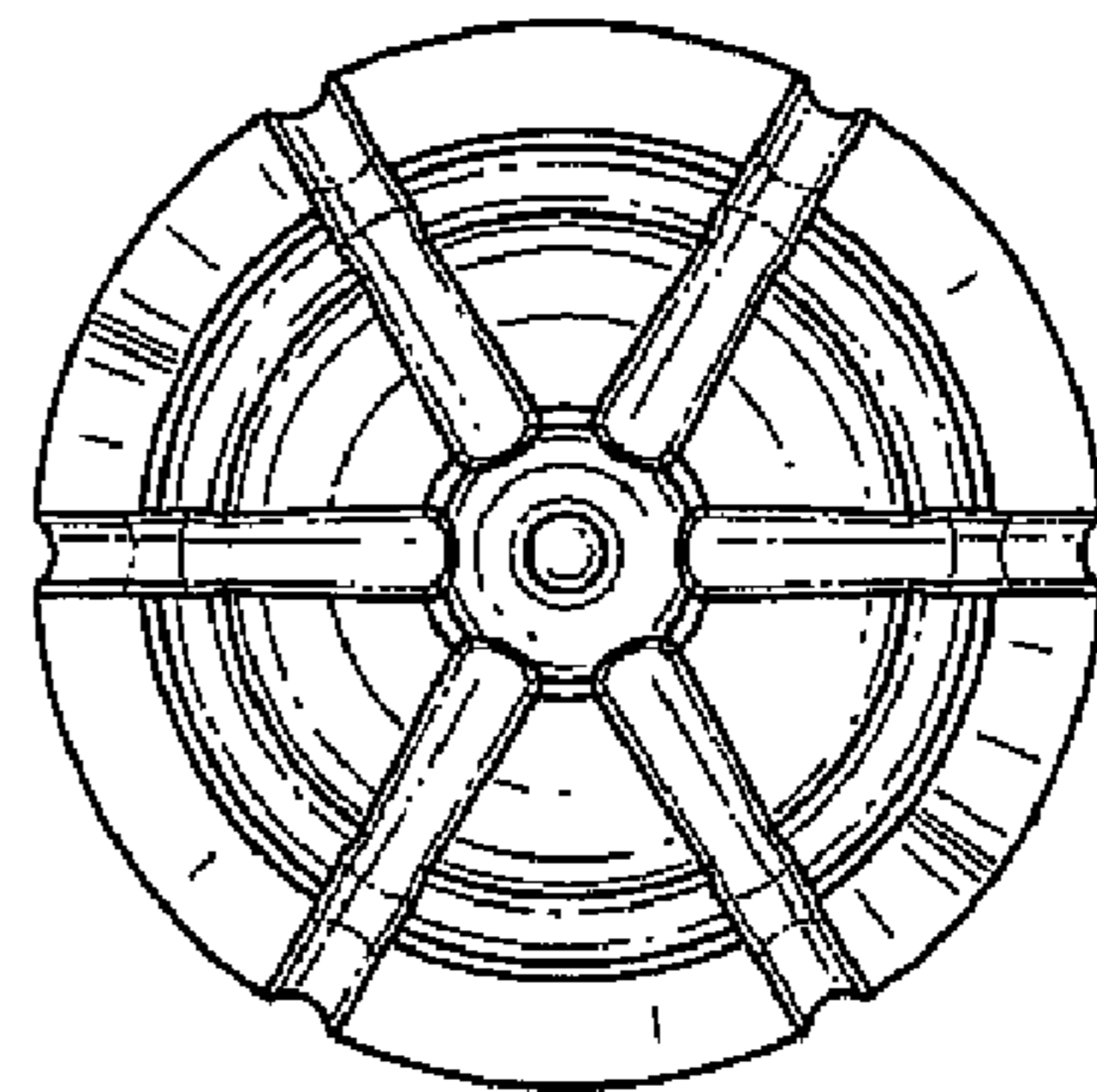


FIG. 8