



US00D582283S

(12) **United States Design Patent**
O'Donahue

(10) **Patent No.:** **US D582,283 S**
(45) **Date of Patent:** **** Dec. 9, 2008**

- (54) **JAR**
- (75) Inventor: **Sam O'Donahue**, New York, NY (US)
- (73) Assignee: **Lerner New York, Inc.**, New York, NY (US)
- (**) Term: **14 Years**
- (21) Appl. No.: **29/299,026**
- (22) Filed: **Dec. 18, 2007**
- (51) **LOC (8) Cl.** **09-01**
- (52) **U.S. Cl.** **D9/529; D9/504; D9/435**
- (58) **Field of Classification Search** D9/435, D9/443, 454, 500, 502-504, 516, 519, 529, D9/530, 537, 539, 549, 558, 686-691; D28/4, D28/7, 73, 76, 78, 82, 91; 215/6, 316, 329, 215/382-384; 220/660, 669, 675
See application file for complete search history.

(56) **References Cited**
U.S. PATENT DOCUMENTS

D96,279 S	*	7/1935	Roehrich	D9/774
D280,975 S	*	10/1985	Van Dine	D9/504
D303,584 S	*	9/1989	Bakic	D28/91
D391,162 S	*	2/1998	Kokenge	D9/504
D397,518 S	*	8/1998	Kudo	D28/91
D402,894 S	*	12/1998	Elia	D9/504
D411,747 S	*	6/1999	Kokenge et al.	D9/503
D434,324 S	*	11/2000	Gobe	D9/504

D434,667 S	*	12/2000	Gobe	D9/529
D446,456 S	*	8/2001	Adachi et al.	D9/529
D474,405 S	*	5/2003	Togasawa	D9/504
D474,978 S	*	5/2003	Varlet	D9/549
D495,956 S	*	9/2004	Martinez	D9/529
D502,649 S	*	3/2005	Martinez	D9/529
D520,370 S	*	5/2006	Priestman	D9/529
D523,752 S	*	6/2006	Bried et al.	D9/504
D531,036 S	*	10/2006	Bried et al.	D9/504

* cited by examiner

Primary Examiner—Stella M Reid
Assistant Examiner—Keli L Acker

(74) *Attorney, Agent, or Firm*—Colucci & Umans

(57) **CLAIM**

The ornamental design for a jar, as shown and described.

DESCRIPTION

FIG. 1 is a perspective view of a jar, embodying my new design;

FIG. 2 is a front elevational view thereof;

FIG. 3 is a rear elevational view thereof;

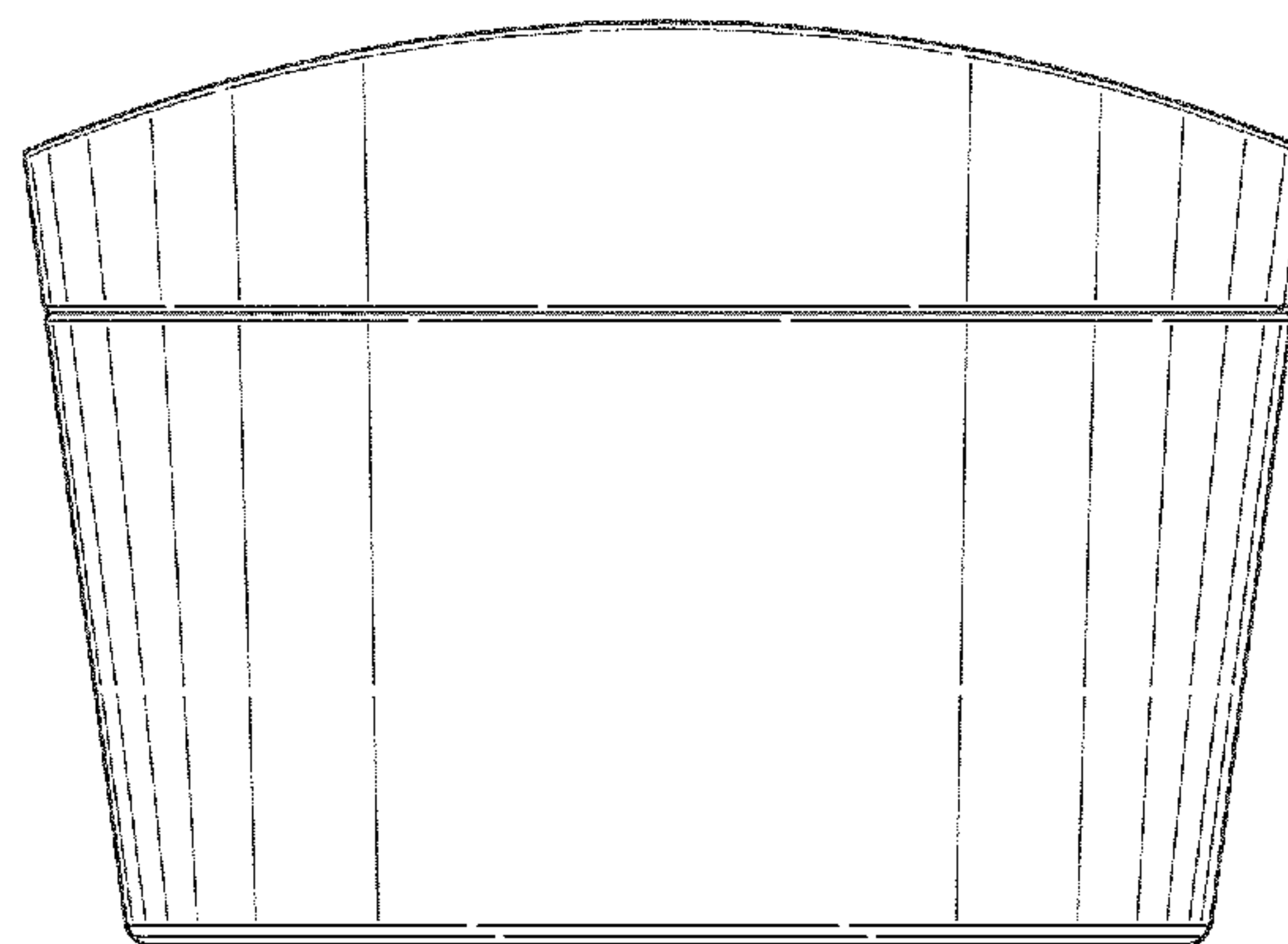
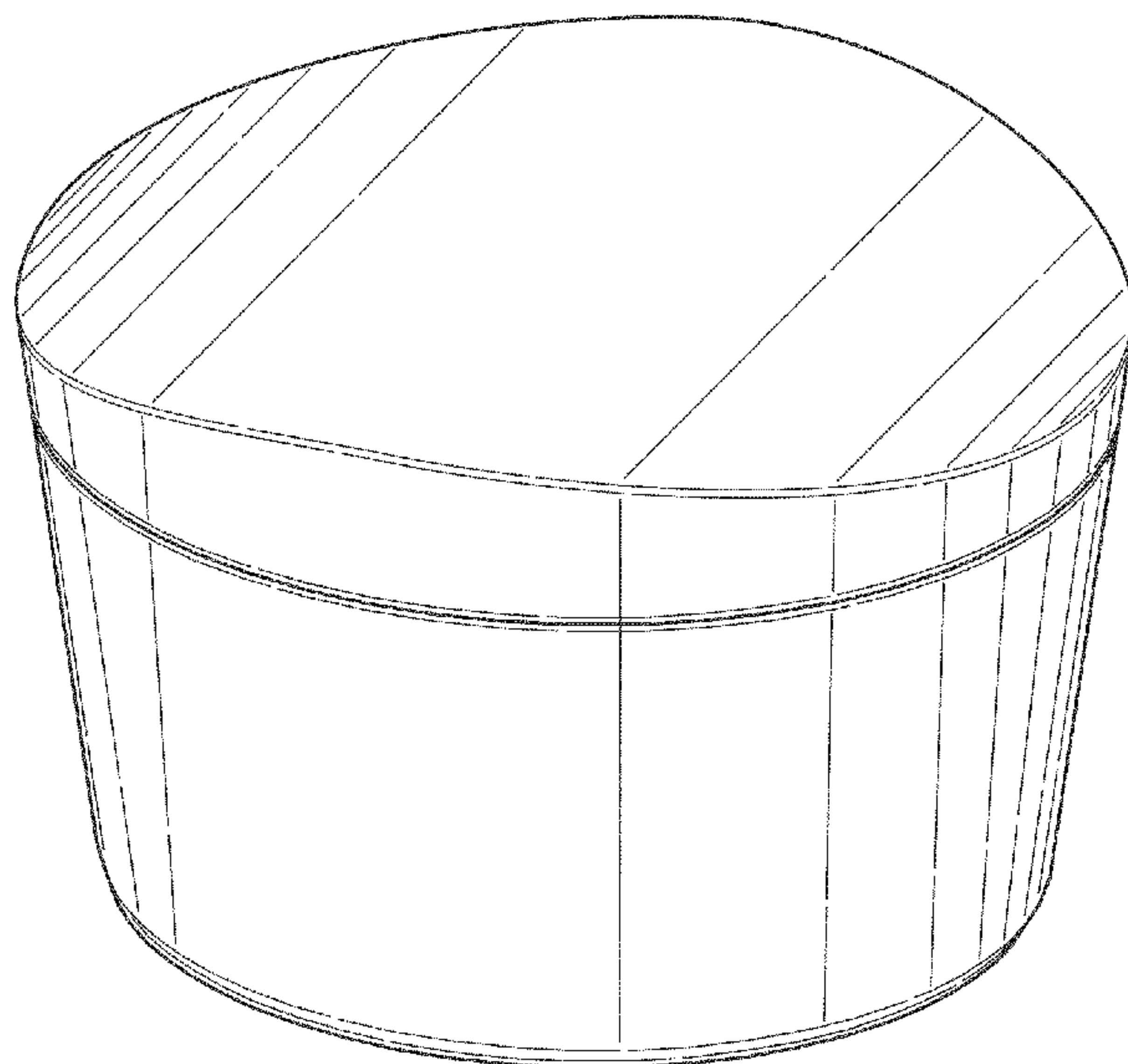
FIG. 4 is a left side elevational view thereof;

FIG. 5 is a right side elevational view thereof;

FIG. 6 is a top plan elevational view thereof; and,

FIG. 7 is a bottom plan view thereof.

1 Claim, 6 Drawing Sheets



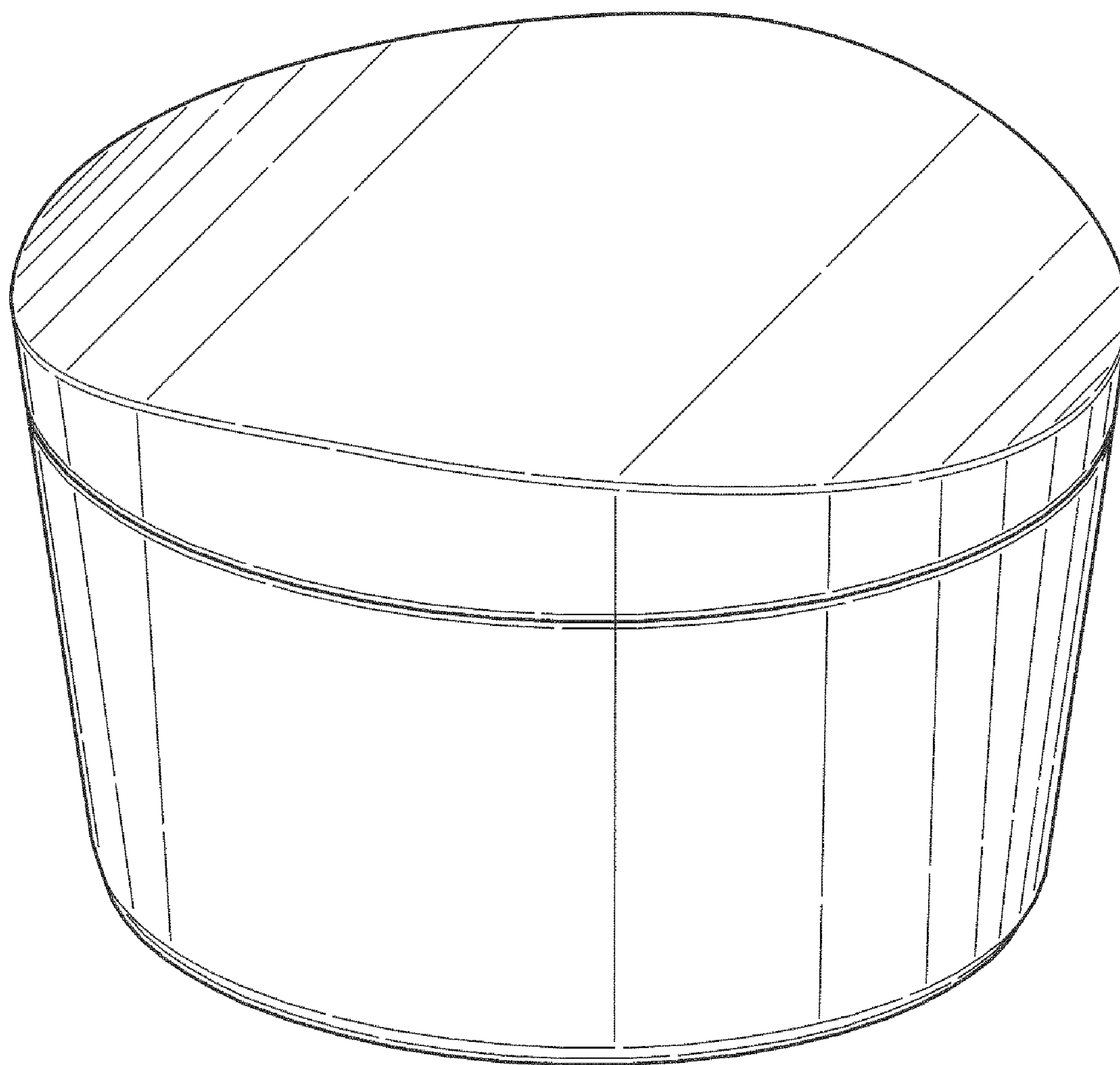


FIG. 1

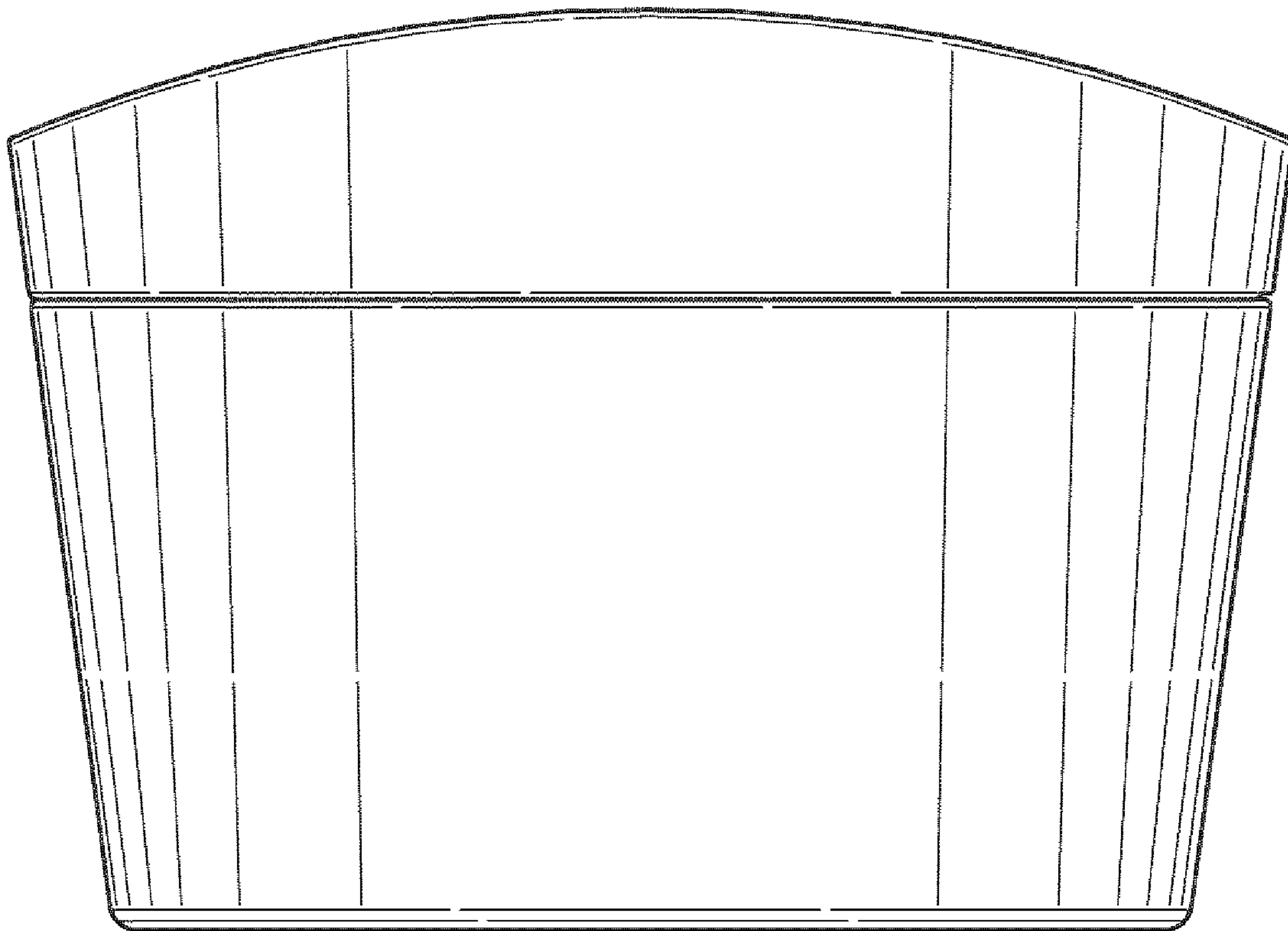


FIG. 2

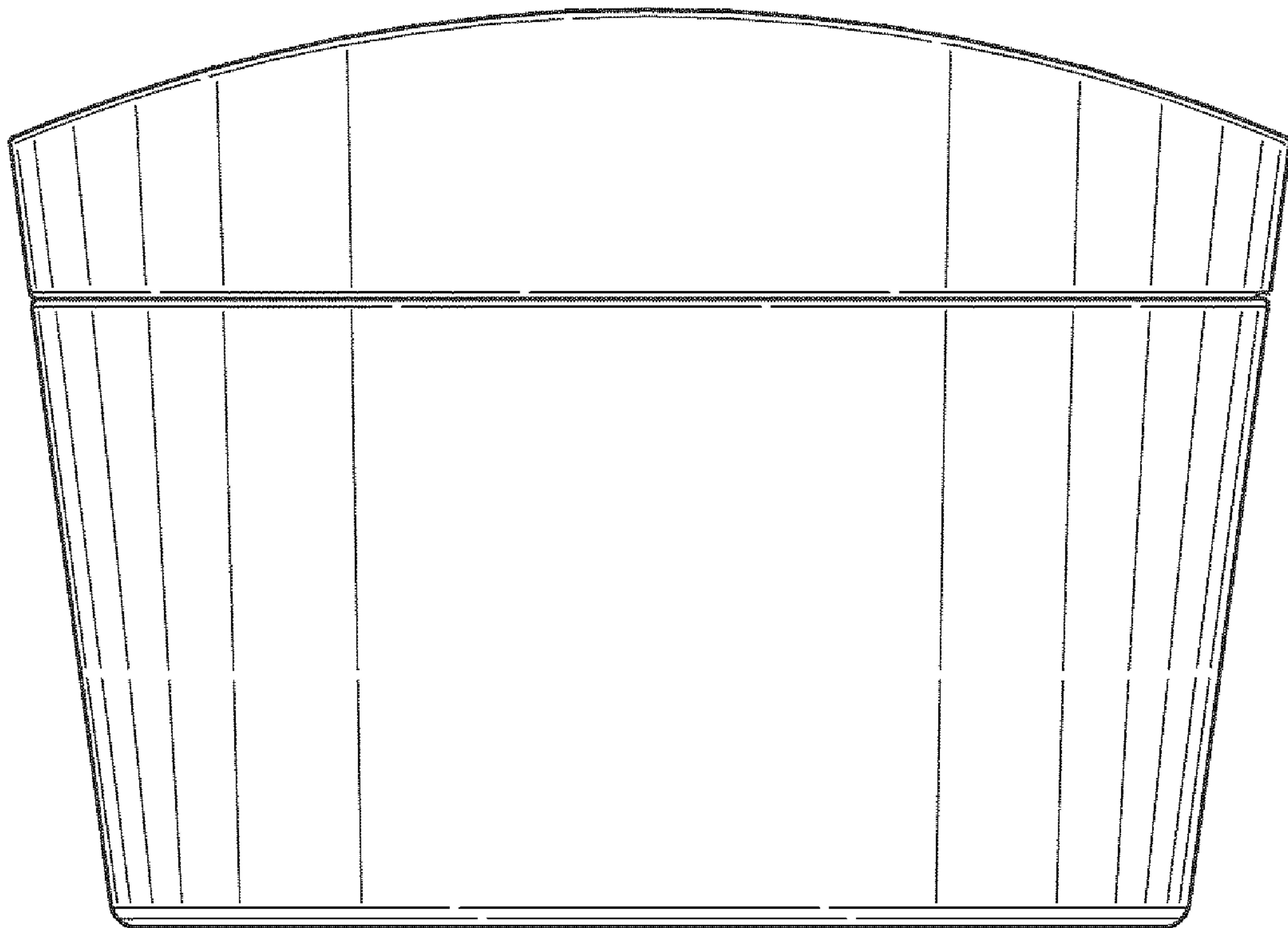


FIG. 3

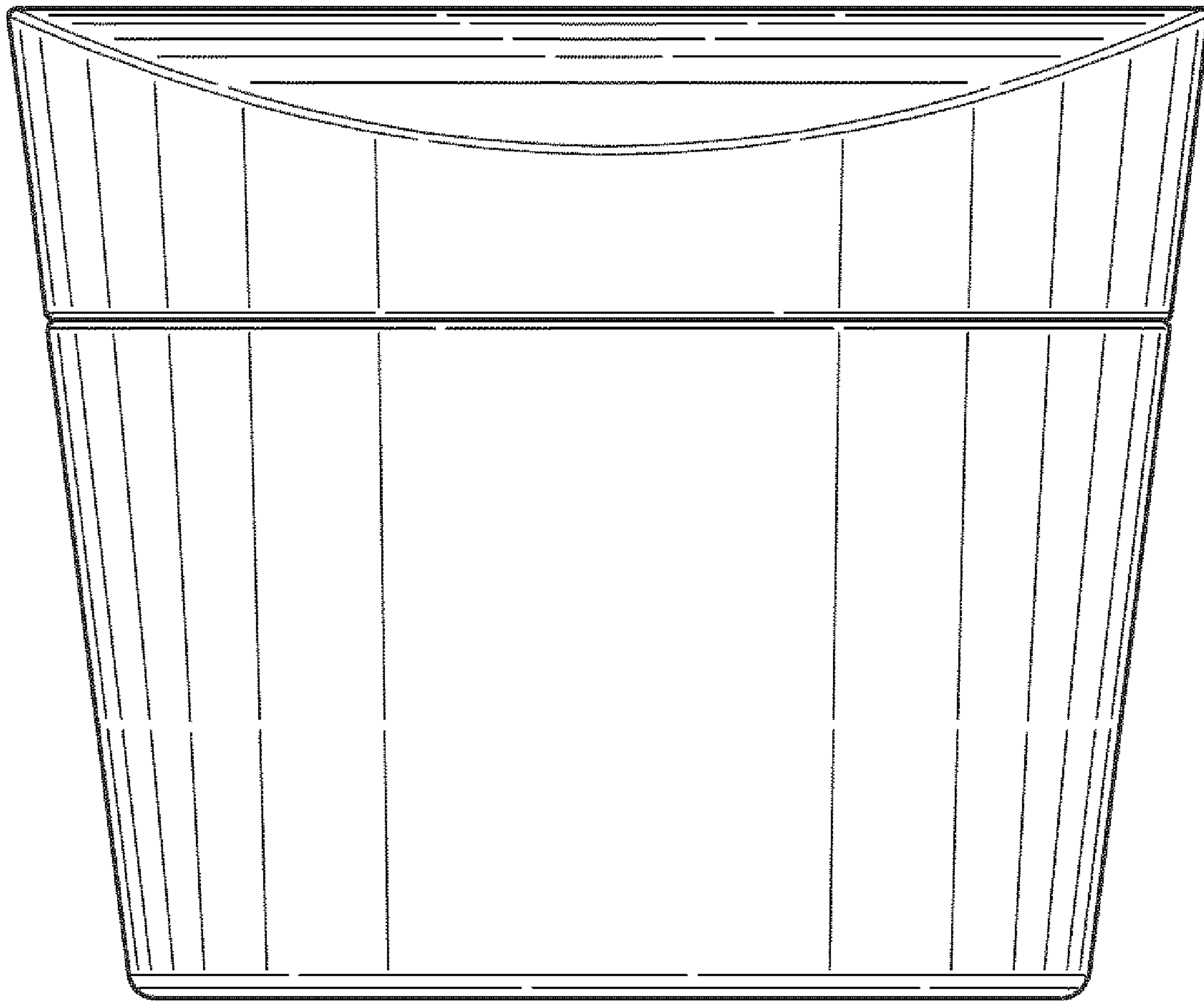


FIG. 4

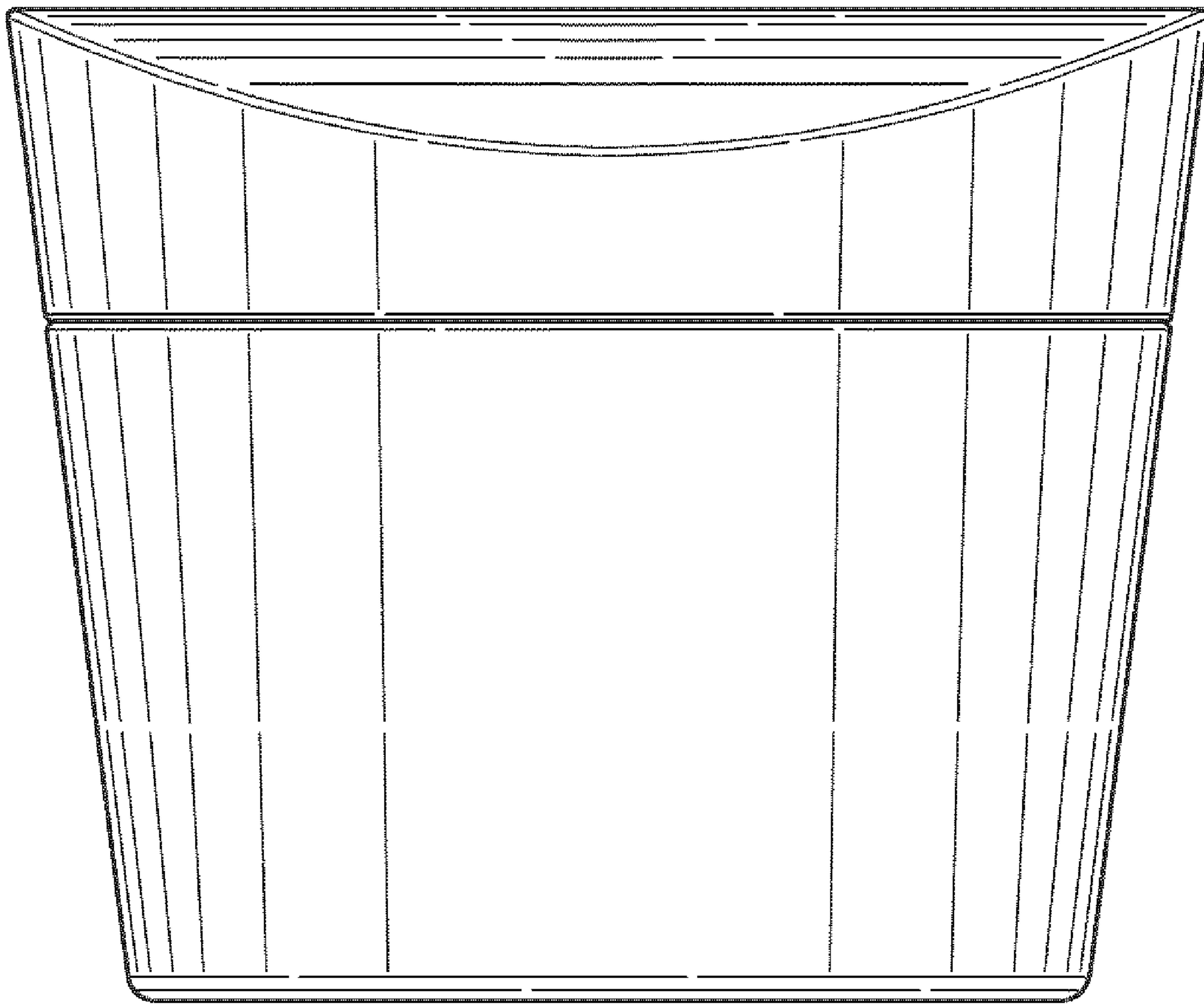


FIG. 5

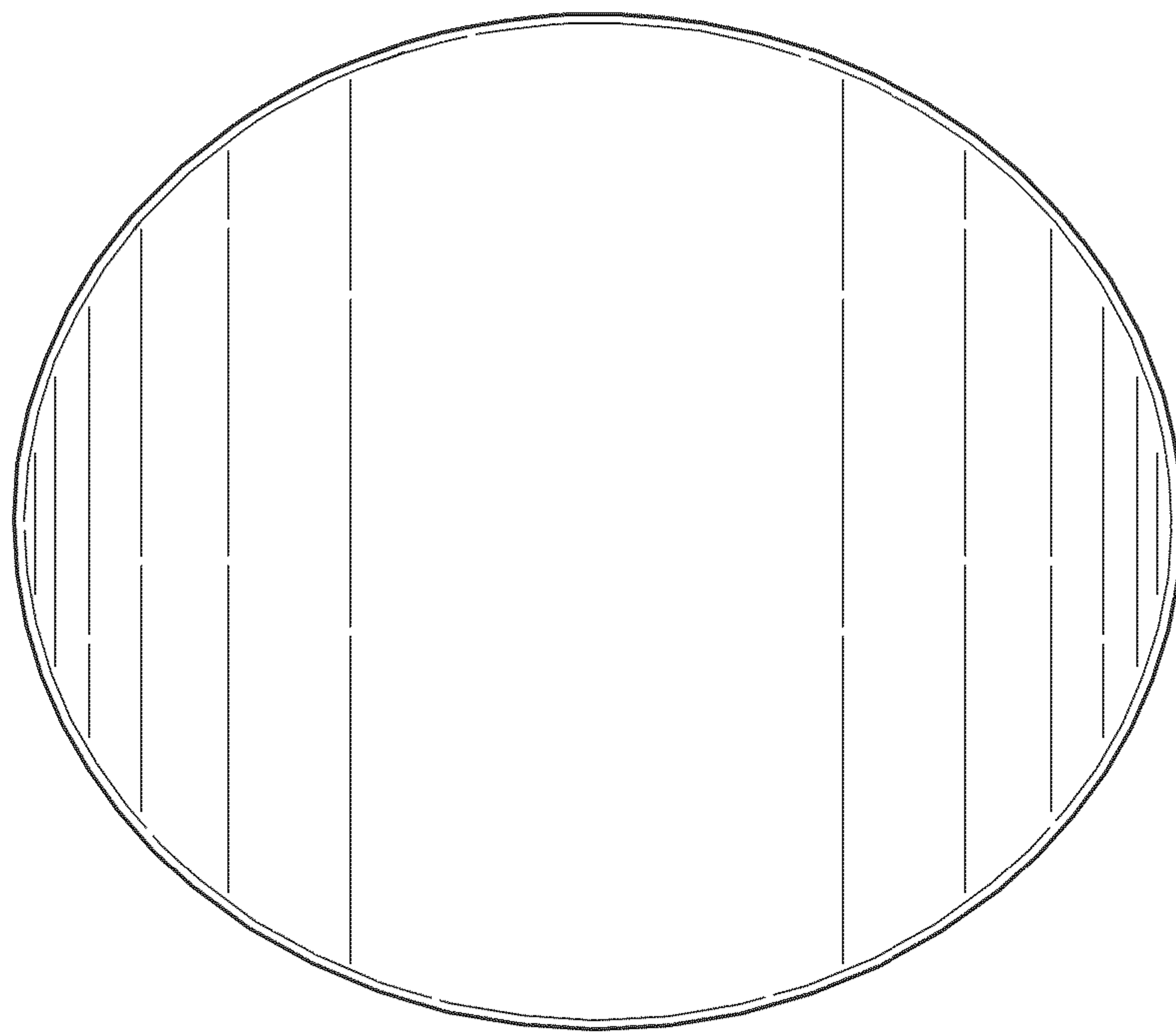


FIG. 6

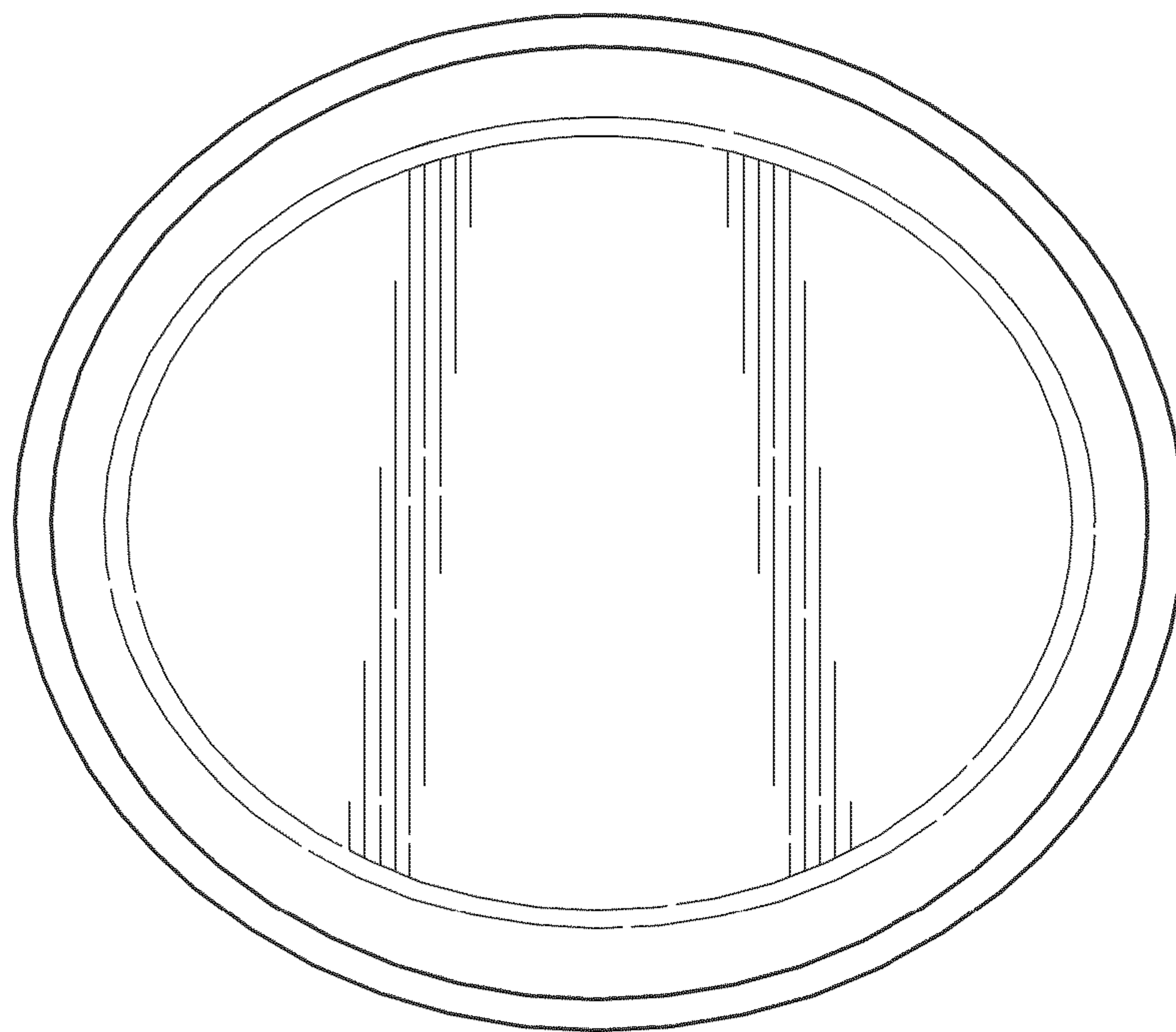


FIG. 7