



US00D582282S

(12) **United States Design Patent**
Althoff et al.

(10) **Patent No.:** **US D582,282 S**
(45) **Date of Patent:** **** Dec. 9, 2008**

(54) **BOTTLE FOR COSMETICS**

(75) Inventors: **Benedikt Althoff**, Berlin (DE); **Harry Zwergel**, Berlin (DE)

(73) Assignee: **Geka Brush GmbH**, Bechofen (DE)

(**) Term: **14 Years**

(21) Appl. No.: **29/253,734**

(22) Filed: **Feb. 13, 2006**

(30) **Foreign Application Priority Data**

Aug. 18, 2005 (EP) 388541

(51) **LOC (8) Cl.** **09-01**

(52) **U.S. Cl.** **D9/522; D9/529**

(58) **Field of Classification Search** D9/516,
D9/520, 522-523, 526, 544-545, 549, 551,
D9/571, 575, 682, 686-694; D4/116; 215/379-352;
220/660-665

See application file for complete search history.

(56) **References Cited**

U.S. PATENT DOCUMENTS

D99,136 S * 3/1936 Newman D9/500
D156,091 S * 11/1949 Gardiner D9/522
D233,827 S * 12/1974 Henry D9/526

D250,601 S * 12/1978 Pick et al. D24/115
D395,240 S * 6/1998 Dinand D9/526
D498,676 S * 11/2004 Crawford D9/522
D515,428 S * 2/2006 Abadinsky D9/522
D534,430 S * 1/2007 Alameddine et al. D9/519
D550,086 S * 9/2007 Burks D9/519

* cited by examiner

Primary Examiner—Ian Simmons

Assistant Examiner—Dana L Sipos

(74) *Attorney, Agent, or Firm*—Browdy and Neimark

(57) **CLAIM**

The ornamental design for a bottle for cosmetics, as shown and described.

DESCRIPTION

FIG. 1 is a front elevational view of a bottle for cosmetics, showing our new design;

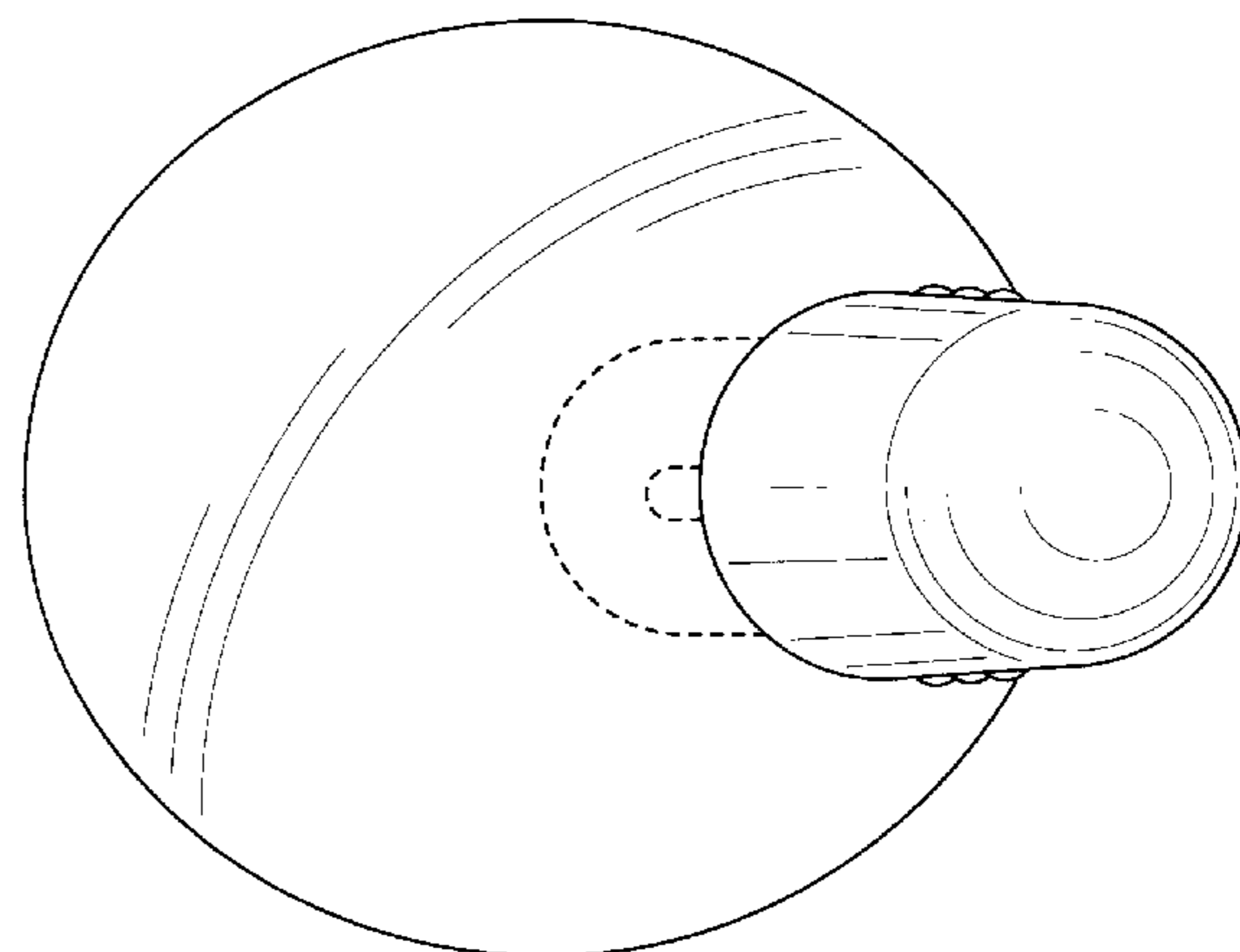
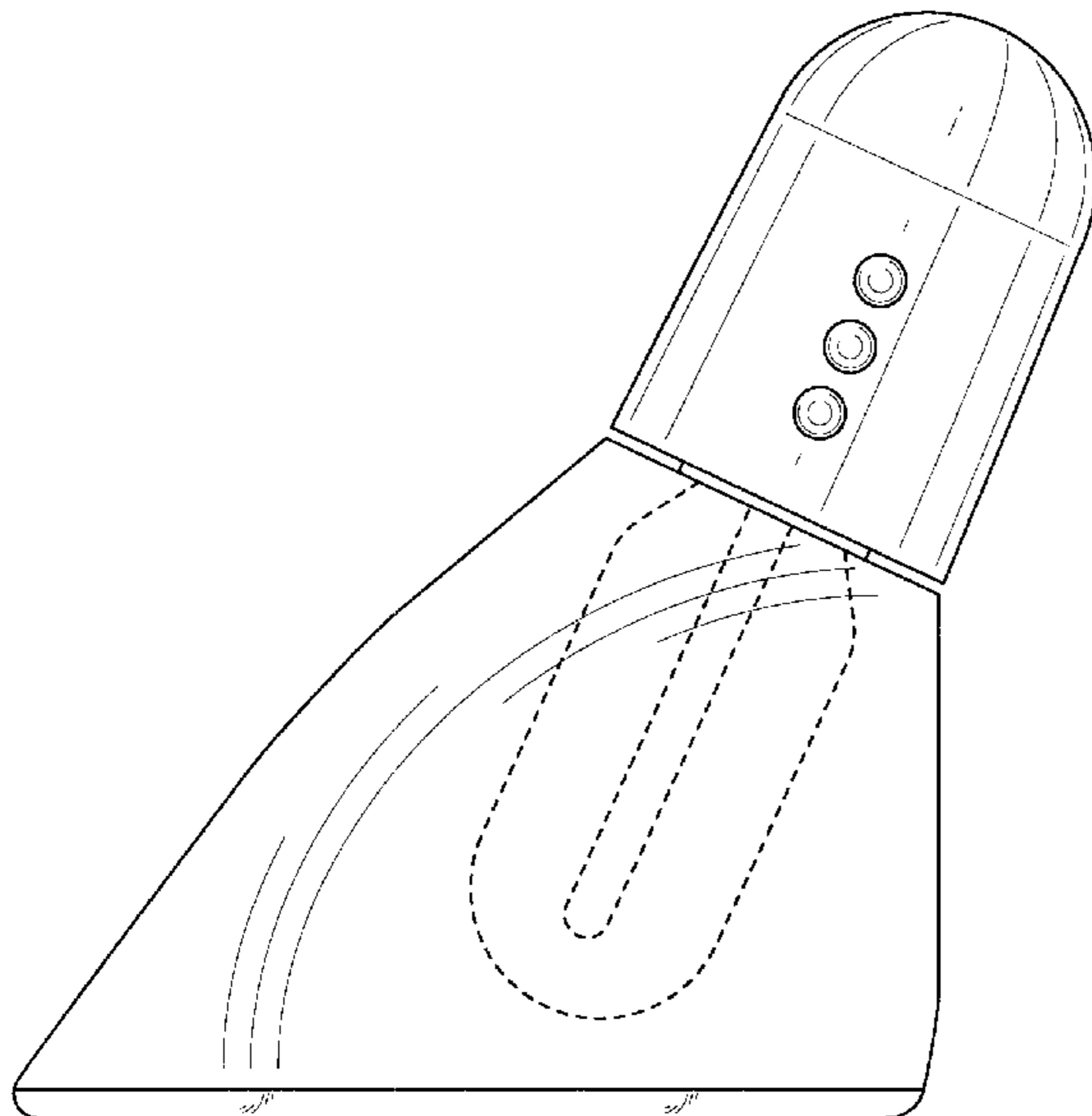
FIG. 2 is a left side elevational view thereof;

FIG. 3 is a rear elevational view thereof; and,

FIG. 4 is a top plan view thereof.

The dashed broken lines shown in the drawings represent unclaimed environment and are for illustrative purposes only, forming no part of the claimed design. The dot-dash broken lines define the bounds of the claim and form no part thereof.

1 Claim, 4 Drawing Sheets



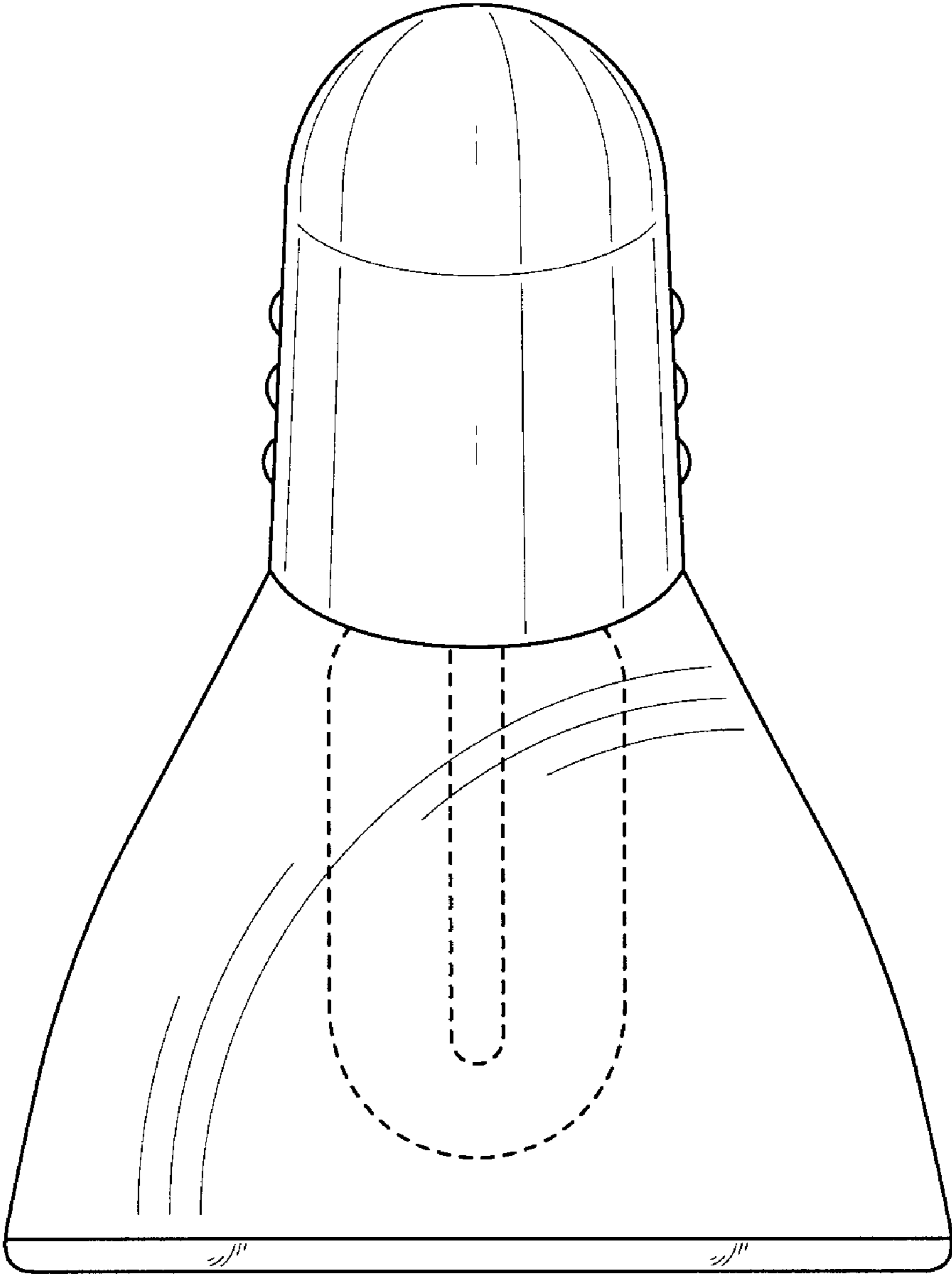


FIG. 1

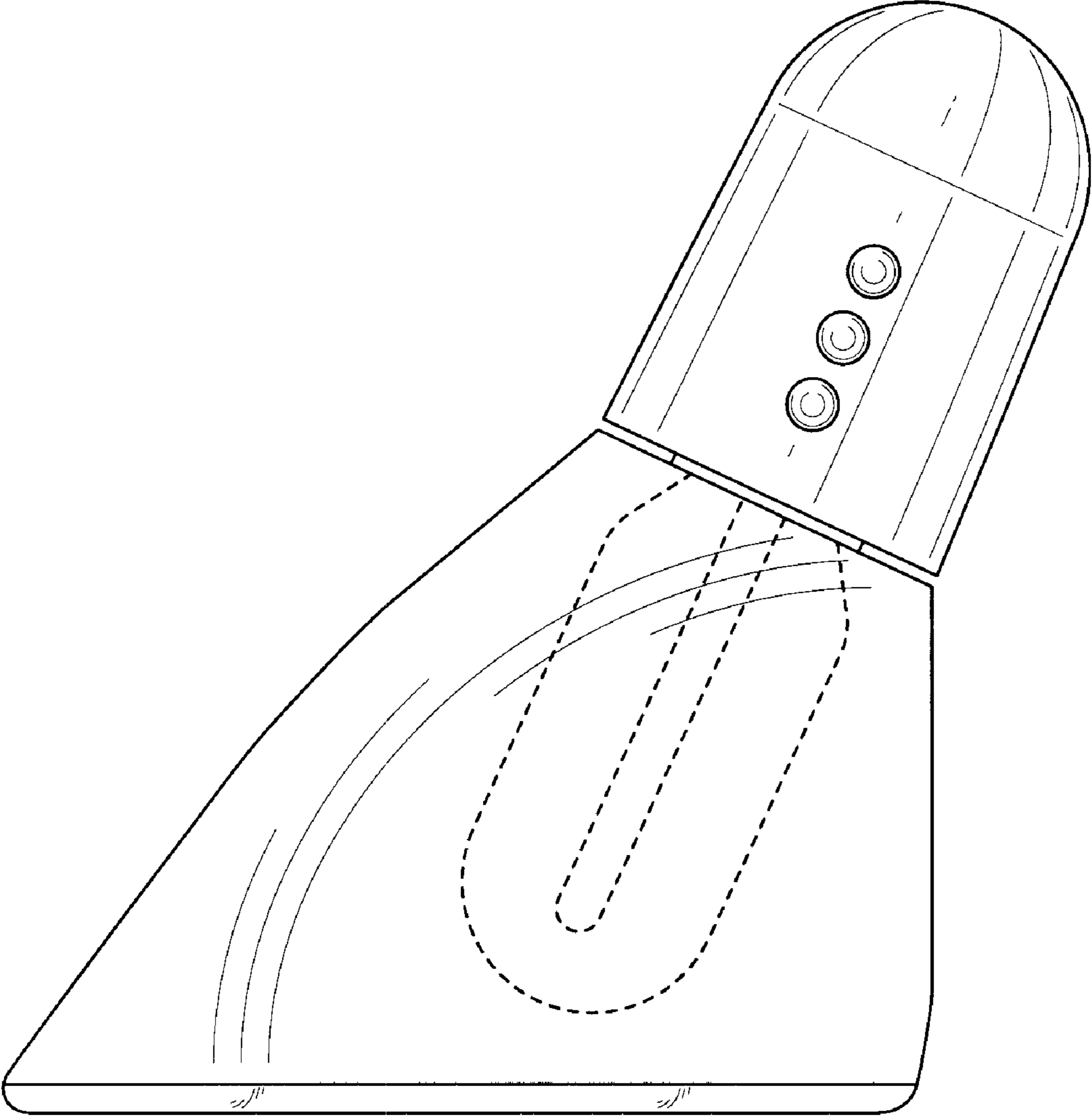


FIG. 2

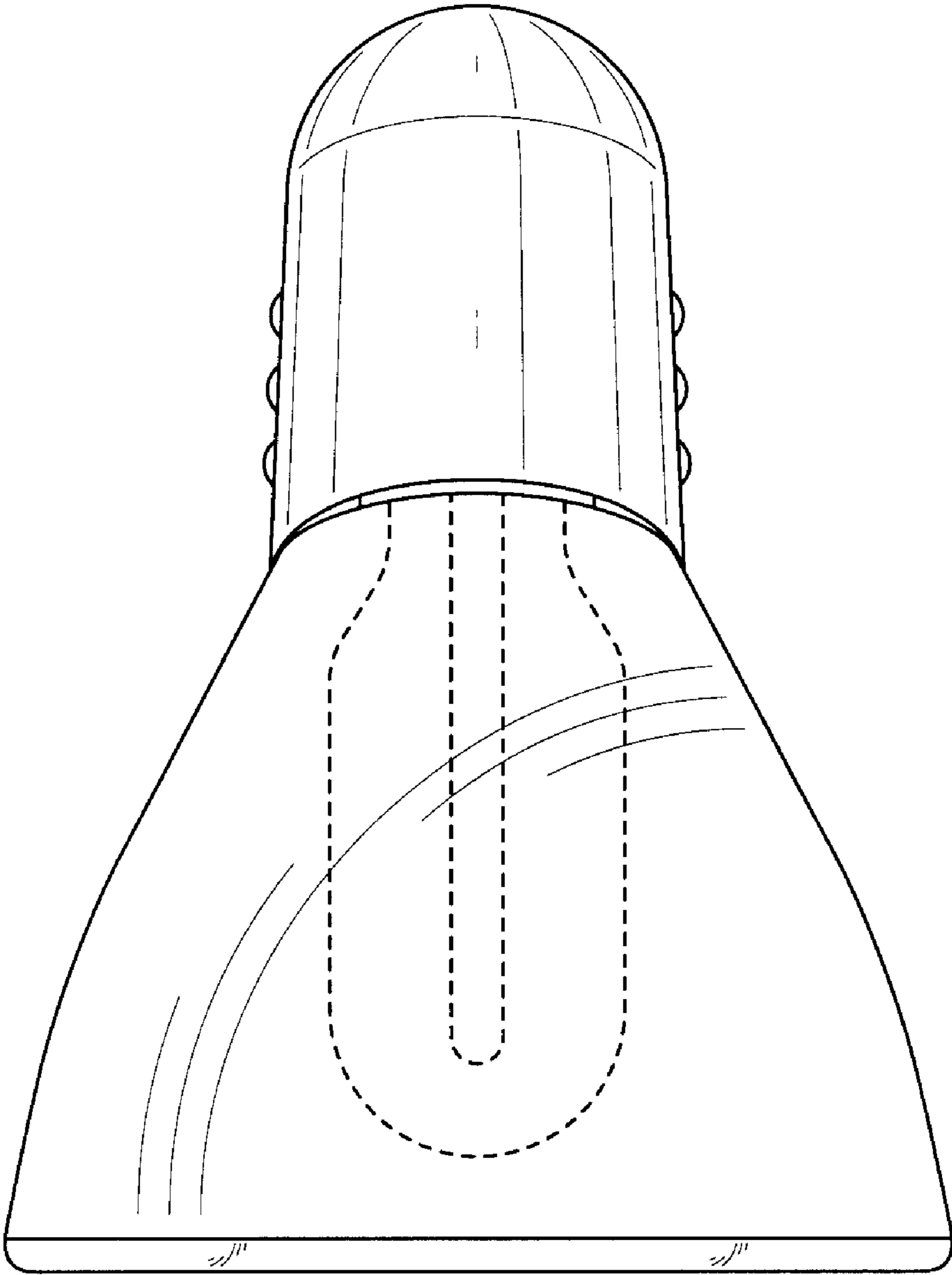


FIG. 3

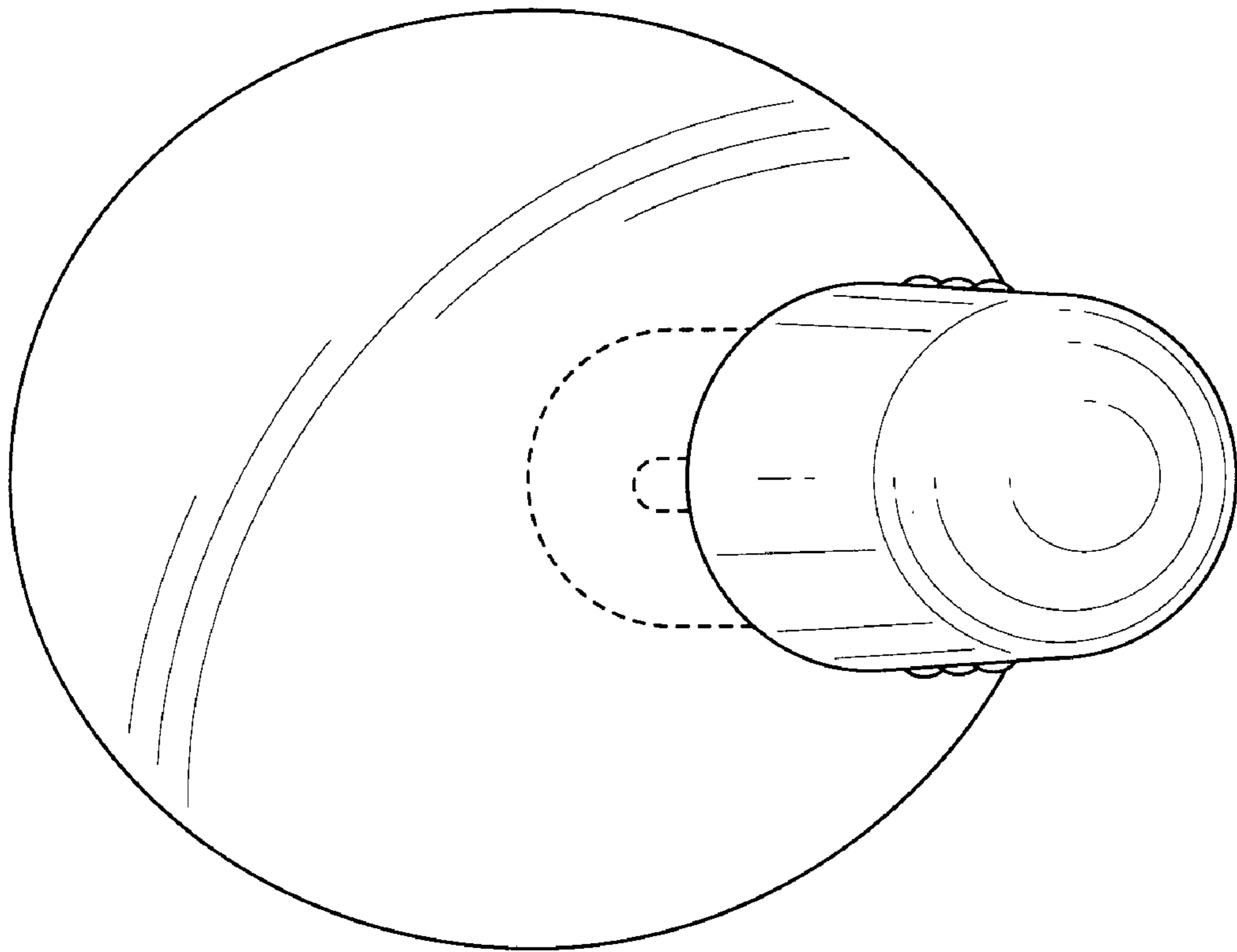


FIG. 4