



US00D582281S

(12) **United States Design Patent**
Zanaletti

(10) **Patent No.:** **US D582,281 S**

(45) **Date of Patent:** **** Dec. 9, 2008**

(54) **CONTAINER**

(75) Inventor: **Doriano Zanaletti**, Lainate (IT)

(73) Assignee: **Perfetti Van Melle S.p.A.**, Lainate (IT)

(**) Term: **14 Years**

(21) Appl. No.: **29/297,485**

(22) Filed: **Nov. 13, 2007**

(30) **Foreign Application Priority Data**

May 11, 2007 (EM) 000721543

(51) **LOC (8) Cl.** **09-01**

(52) **U.S. Cl.** **D9/519; D9/516**

(58) **Field of Classification Search** D9/516,
D9/668, 518, 519, 529, 530, 531, 537, 539,
D9/540, 542, 543, 549, 558, 574, 575; D21/406;
D1/127; 215/381-385, 395, 396, 398
See application file for complete search history.

(56) **References Cited**

U.S. PATENT DOCUMENTS

D91,372 S * 1/1934 Stein D9/519
2,318,460 A * 5/1943 Brief 446/419
D136,501 S * 10/1943 Habif D9/503
2,399,333 A * 4/1946 Desmond 446/419
D150,499 S * 8/1948 Heim D9/517

2,484,159 A * 10/1949 Flynn, Jr. 446/422
D267,854 S * 2/1983 Witt, Jr. D9/668
D268,988 S * 5/1983 Hirsh D9/504
D428,298 S * 7/2000 Cohen D7/300.2
D430,890 S * 9/2000 Cohen D17/22
D459,382 S * 6/2002 Cohen D17/22
D459,749 S * 7/2002 Cohen D17/22
D463,382 S * 9/2002 Jacoby D13/170
D464,571 S * 10/2002 Hill et al. D9/519
D465,733 S * 11/2002 Hill D9/519
D548,611 S * 8/2007 Lepoitevin D9/643
D565,413 S * 4/2008 Honkawa et al. D9/519
D572,535 S * 7/2008 El-Ghouyel et al. D7/538

* cited by examiner

Primary Examiner—Stella M Reid

Assistant Examiner—Elizabeth J Oswecki

(74) *Attorney, Agent, or Firm*—Young & Thompson

(57) **CLAIM**

The ornamental design for a container, as shown and described.

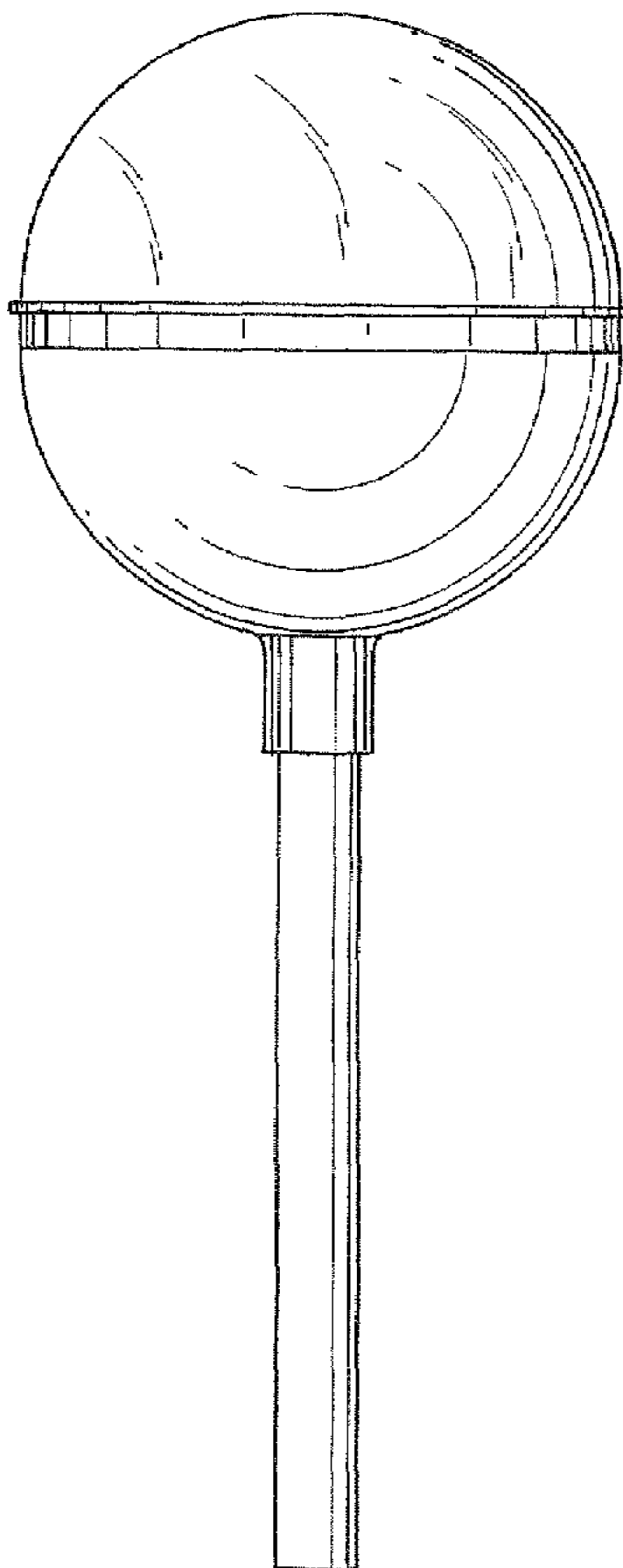
DESCRIPTION

FIG. 1 is a side elevational view of a container showing my new design, all side elevational views thereof being identical;

FIG. 2 is a top plan view thereof; and,

FIG. 3 is a bottom plan view thereof.

1 Claim, 1 Drawing Sheet



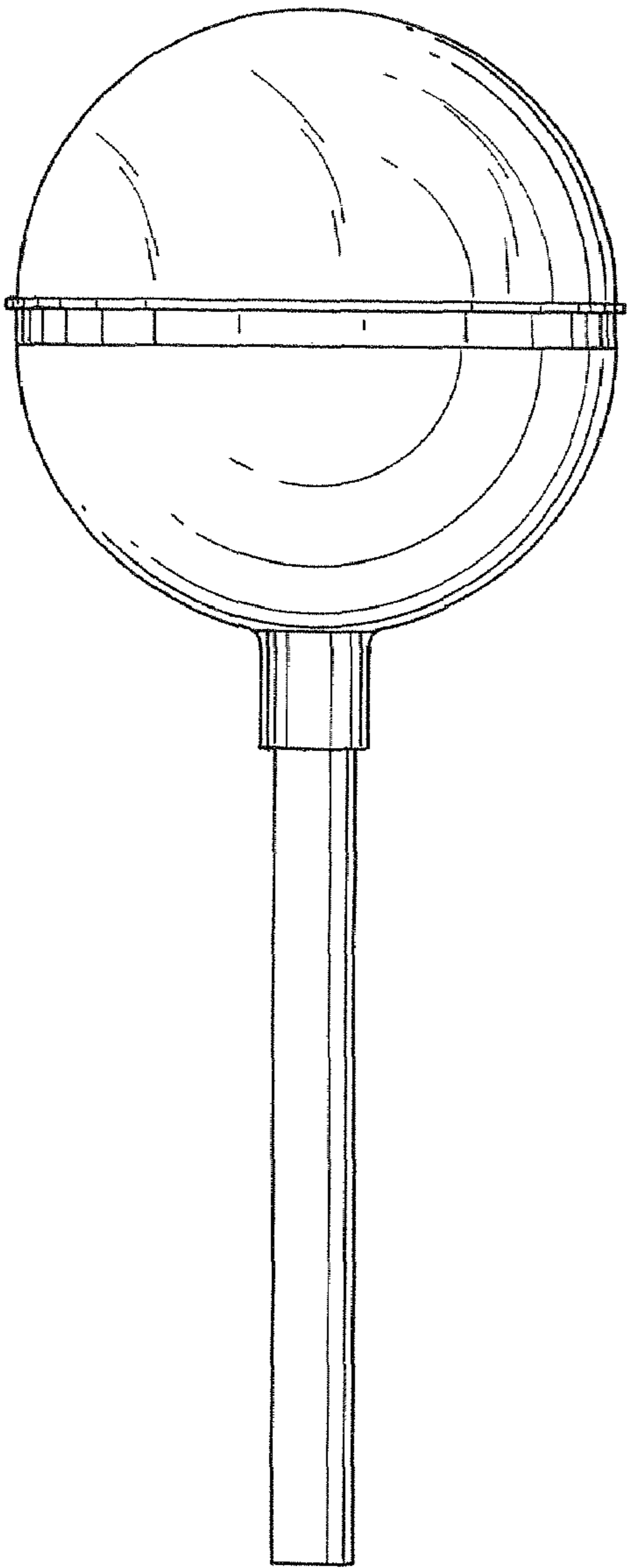


Fig. 1

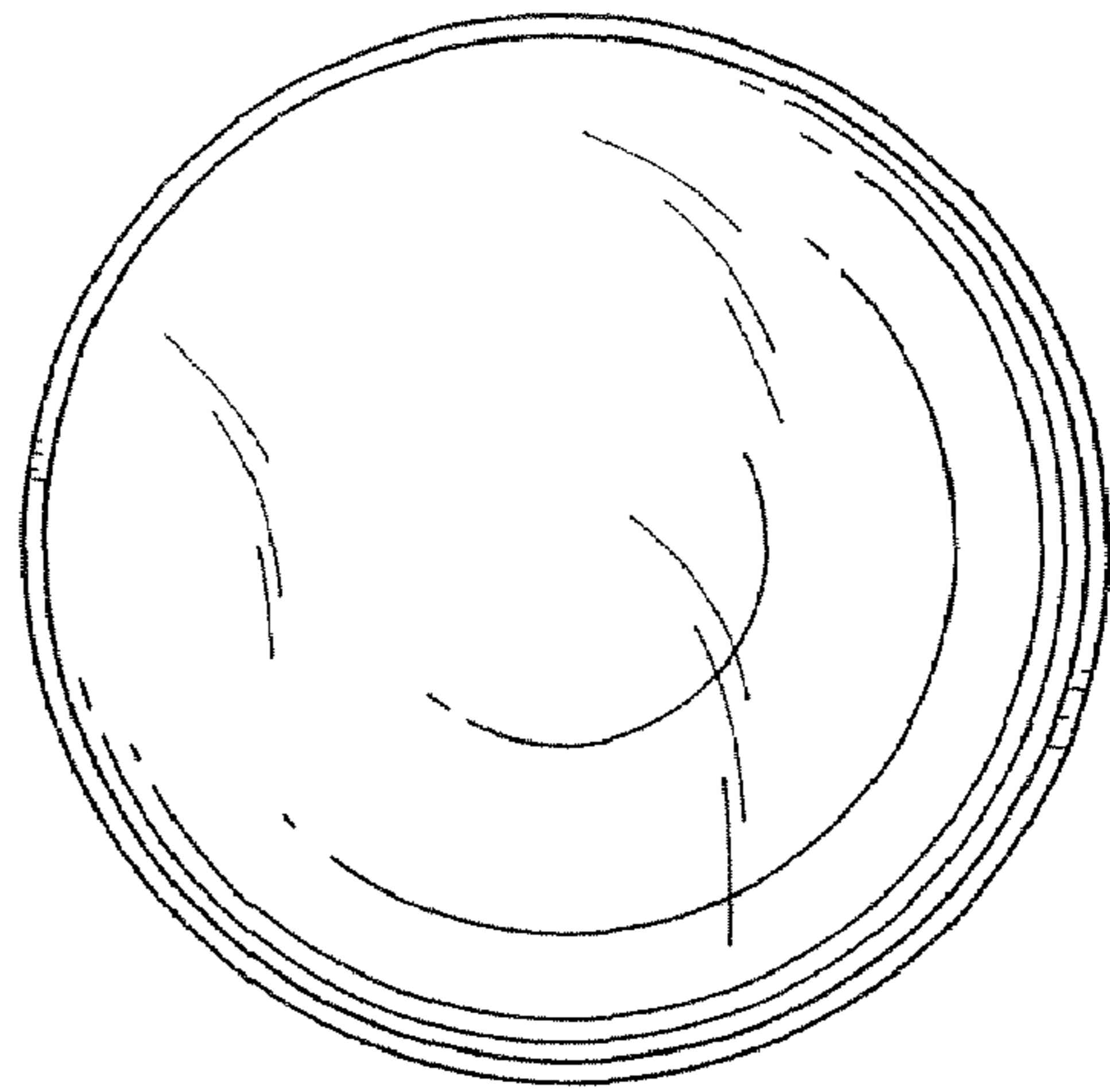


Fig. 2

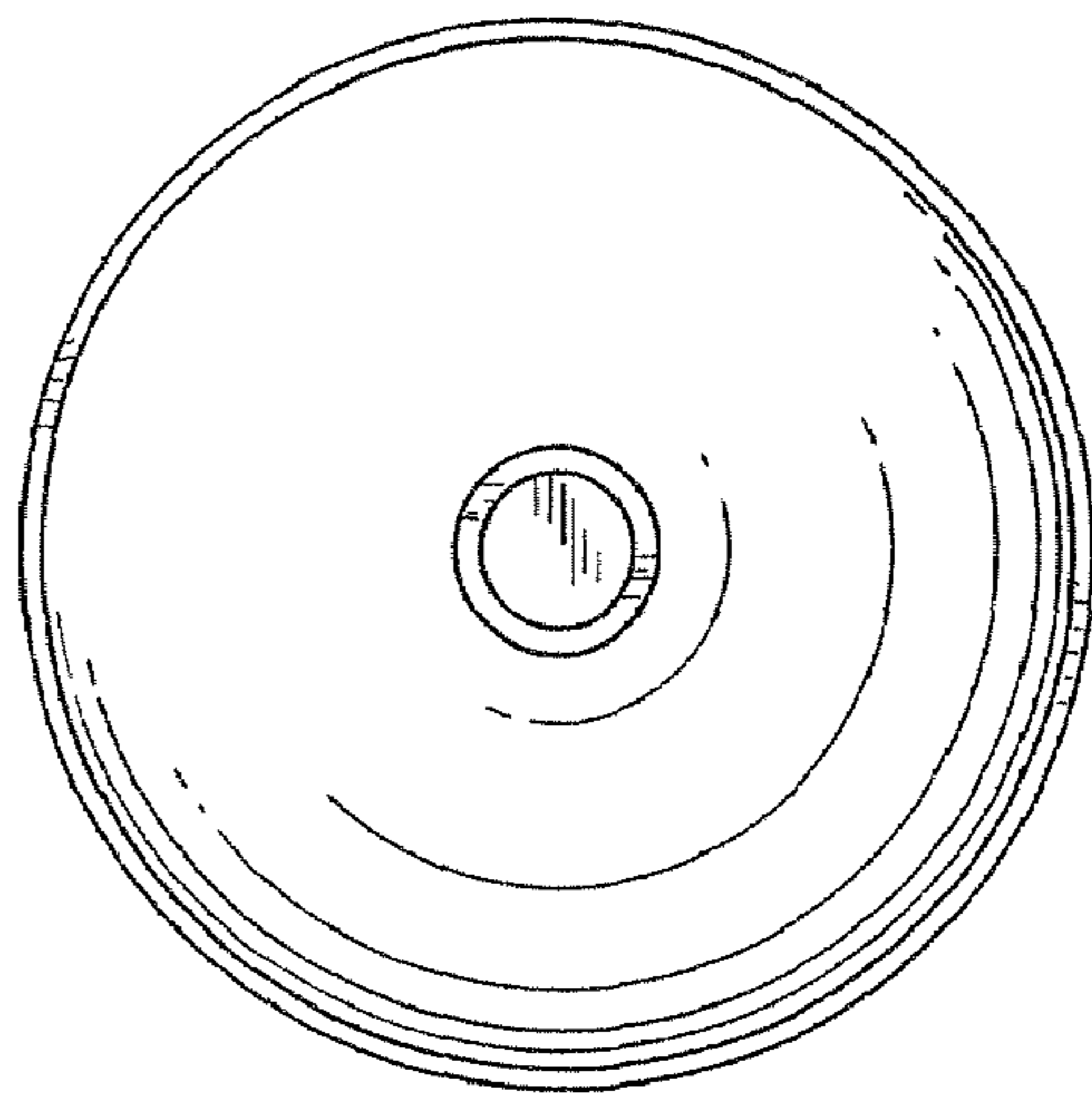


Fig. 3