



US00D582280S

(12) **United States Design Patent**
Liden et al.

(10) **Patent No.:** **US D582,280 S**
(45) **Date of Patent:** **** Dec. 9, 2008**

(54) **INTERLOCKING BOOTS FOR FRAGRANCE BOTTLES**

(75) Inventors: **Johan Liden**, New York, NY (US);
James Gager, New York, NY (US)

(73) Assignee: **Christian Casey LLC**, New York, NY (US)

(**) Term: **14 Years**

(21) Appl. No.: **29/304,215**

(22) Filed: **Feb. 27, 2008**

D105,396 S	7/1937	McIntosh	
D105,808 S	8/1937	Schein	
D113,549 S	2/1939	Chevalier	
D118,839 S *	2/1940	Samuels	D9/719
D120,846 S *	5/1940	Ireys	D9/563
D133,415 S	8/1942	Mayer	
D143,386 S *	1/1946	Altman	D9/739
D145,470 S	8/1946	Sussman	
D149,950 S	6/1948	Klebanoff	
D153,054 S	3/1949	Wolfe et al.	

Related U.S. Application Data

(62) Division of application No. 29/248,648, filed on Aug. 25, 2006, now Pat. No. Des. 567,100.

(51) **LOC (8) Cl.** **09-01**

(52) **U.S. Cl.** **D9/517; D9/445; D9/452; D9/529; D9/560; D9/570**

(58) **Field of Classification Search** D9/414, D9/417, 430, 432, 434, 435, 445, 452, 453, D9/500-504, 516, 517, 529, 544, 546, 549, D9/551, 558, 559, 560, 571, 572-575; D7/538, D7/540, 541, 542, 584, 586, 601-603, 612, D7/614, 615, 701, 707, 708; D3/201, 206, D3/273, 274, 304, 903; 215/381-385, 396, 215/398

See application file for complete search history.

(56) **References Cited**

U.S. PATENT DOCUMENTS

D24,582 S	8/1895	Lowrey	
D25,048 S	1/1896	Sherwood	
1,611,443 A	12/1926	Hothersall	
D90,558 S	8/1933	Tricard	
D92,423 S	6/1934	Piazzoli	
D92,782 S *	7/1934	Tuortois	D9/721
D99,629 S *	5/1936	Mulhens	D9/563
D99,819 S *	5/1936	McLaughlin	D9/563

(Continued)

OTHER PUBLICATIONS

Women's Wear Daily; The Retailers' Daily Newspaper; vol. 190; No. 43; pages Cover-3; Fairchild Publications, Inc.; Aug. 26, 2005.

Primary Examiner—Stella M. Reid

Assistant Examiner—Elizabeth J Oswecki

(74) *Attorney, Agent, or Firm*—Cynthia Miller

(57) **CLAIM**

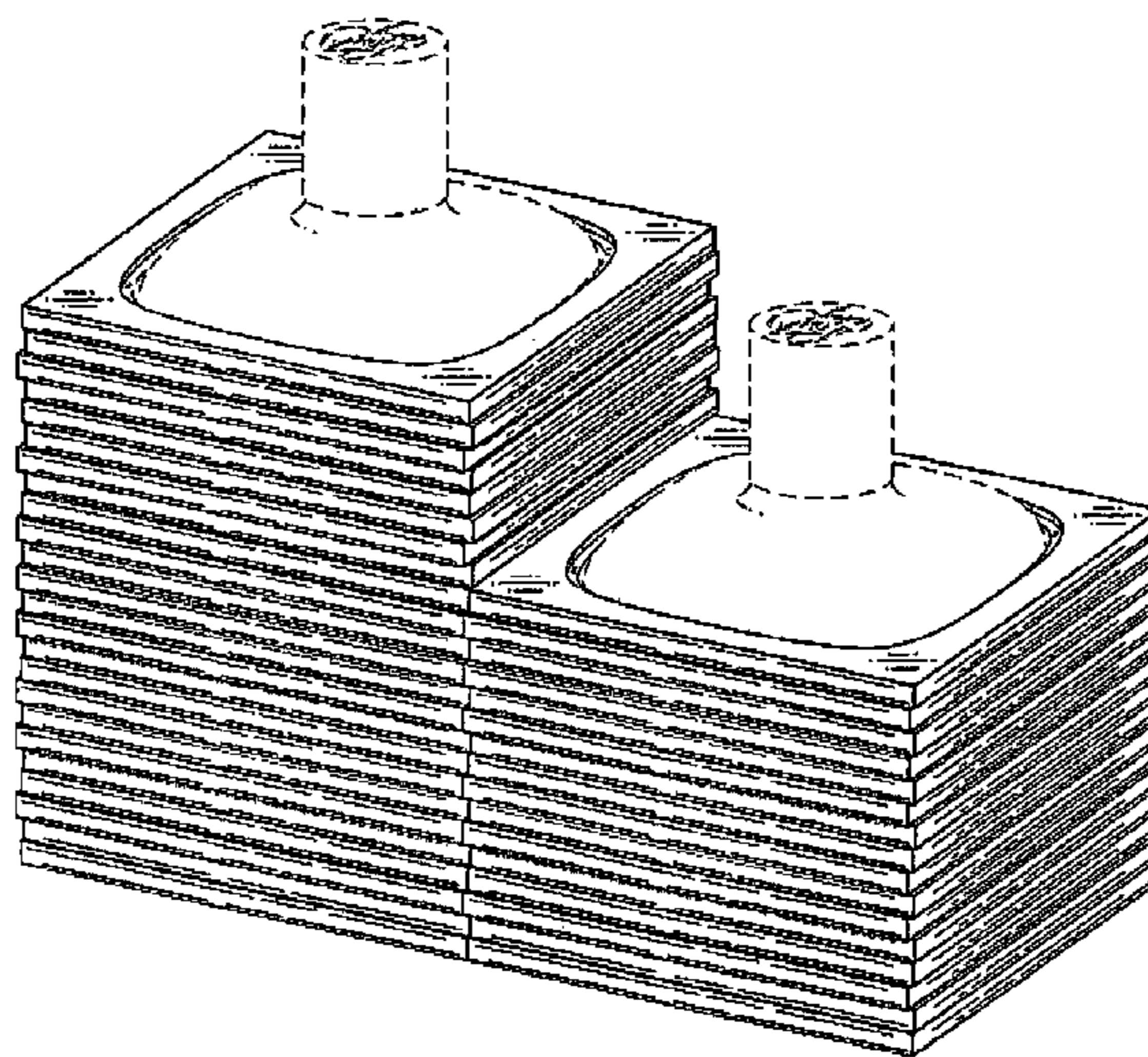
The ornamental design for interlocking boots for fragrance bottles, substantially as shown and described.

DESCRIPTION

FIG. 1 is a top, front and right perspective view of interlocking boots for fragrance bottles showing our new design, the top, rear and left side perspective view being a mirror image thereof.

The broken line showing of a bottle, bottle cap, and the symbol on the top of the bottle is included for the purpose of illustrating only and forms no part of the claimed design.

1 Claim, 1 Drawing Sheet



US D582,280 S

Page 2

U.S. PATENT DOCUMENTS

D313,176 S	12/1990	Okuda et al.	
D317,717 S *	6/1991	Carol	D9/739
D317,718 S *	6/1991	Carol	D9/739
D323,112 S	1/1992	San-Wittgenstein	
D325,345 S	4/1992	Holland	
D345,698 S	4/1994	Gobe	
D356,947 S	4/1995	Mueller	
5,529,417 A	6/1996	Burrlader	
5,582,293 A *	12/1996	Kay	206/457
D395,605 S	6/1998	Kokenge	
D397,040 S	8/1998	Bakic	
5,823,391 A	10/1998	Klauke et al.	
D405,015 S *	2/1999	Kotyuk	D9/573
D425,794 S	5/2000	Grossnickle	
D427,075 S	6/2000	Gavin	
D427,516 S	7/2000	Legros	
D428,577 S	7/2000	Shanahan	
D434,645 S	12/2000	Adachi et al.	
D442,868 S	5/2001	Gavin	
D448,867 S	10/2001	Manocheo et al.	
D451,812 S	12/2001	Colonna de Giovellina	
D458,143 S *	6/2002	Ackerman	D9/549
D471,108 S	3/2003	Calderone, Jr.	
D481,640 S	11/2003	Biesecker	
D481,957 S	11/2003	Modjeski	
D488,070 S	4/2004	Yourist	
D494,472 S *	8/2004	Lewis et al.	D9/501
D497,553 S	10/2004	Mitchell	
D512,920 S	12/2005	Kim	
D535,104 S	1/2007	Chen	
D550,095 S *	9/2007	De Oliveira Neto et al. ..	D9/564
D551,560 S	9/2007	De Baschmakoff	
D555,002 S	11/2007	Lloyd et al.	

* cited by examiner

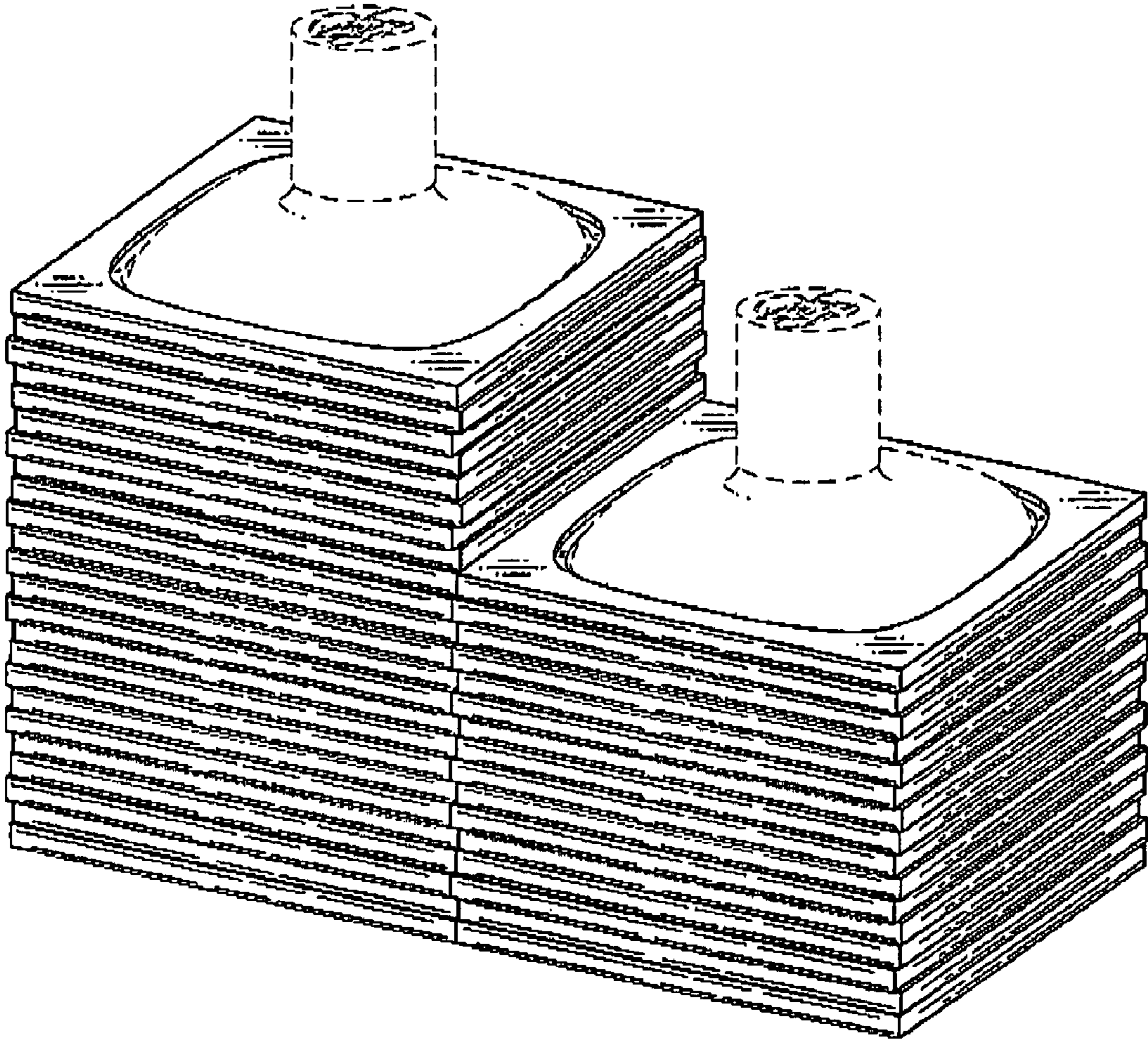


FIG. 1