



US00D582277S

(12) **United States Design Patent**
Canamasas Puigbo

(10) **Patent No.:** **US D582,277 S**

(45) **Date of Patent:** **** *Dec. 9, 2008**

(54) **BOTTLE**

(76) Inventor: **Aniceto Canamasas Puigbo**, Avenida De La Fama, 129, Cornellà De Liobregat, Barcelona (ES) 08940

(*) Notice: This patent is subject to a terminal disclaimer.

(**) Term: **14 Years**

(21) Appl. No.: **29/298,624**

(22) Filed: **Dec. 10, 2007**

(30) **Foreign Application Priority Data**

Jun. 14, 2007 (EM) 000739966-0001

(51) **LOC (8) Cl.** **09-01**

(52) **U.S. Cl.** **D9/500**

(58) **Field of Classification Search** D9/500, D9/502-505, 516, 529, 549, 558, 682, 686, D9/688-692, 905; D3/203.2, 203.3; D28/7-8, D28/76, 78, 82, 91; 215/379-385; 220/660, 220/662, 669, 675

See application file for complete search history.

(56) **References Cited**

U.S. PATENT DOCUMENTS

2,711,766 A * 6/1955 Archer et al. 220/62.18

3,550,803 A *	12/1970	Pierre	215/12.1
D392,889 S *	3/1998	Liu	D9/504
D401,155 S *	11/1998	de Mourgues	D9/558
D402,894 S *	12/1998	Elia	D9/504
D412,440 S *	8/1999	Chuang	D9/503
D532,937 S *	11/2006	Noh	D28/76
D555,835 S *	11/2007	Song	D28/76
2005/0011895 A1 *	1/2005	Lin	220/300

* cited by examiner

Primary Examiner—Ian Simmons

Assistant Examiner—Dana L Sipos

(74) *Attorney, Agent, or Firm*—Sturm & Fix LLP

(57) **CLAIM**

The ornamental design for a bottle, as shown and described.

DESCRIPTION

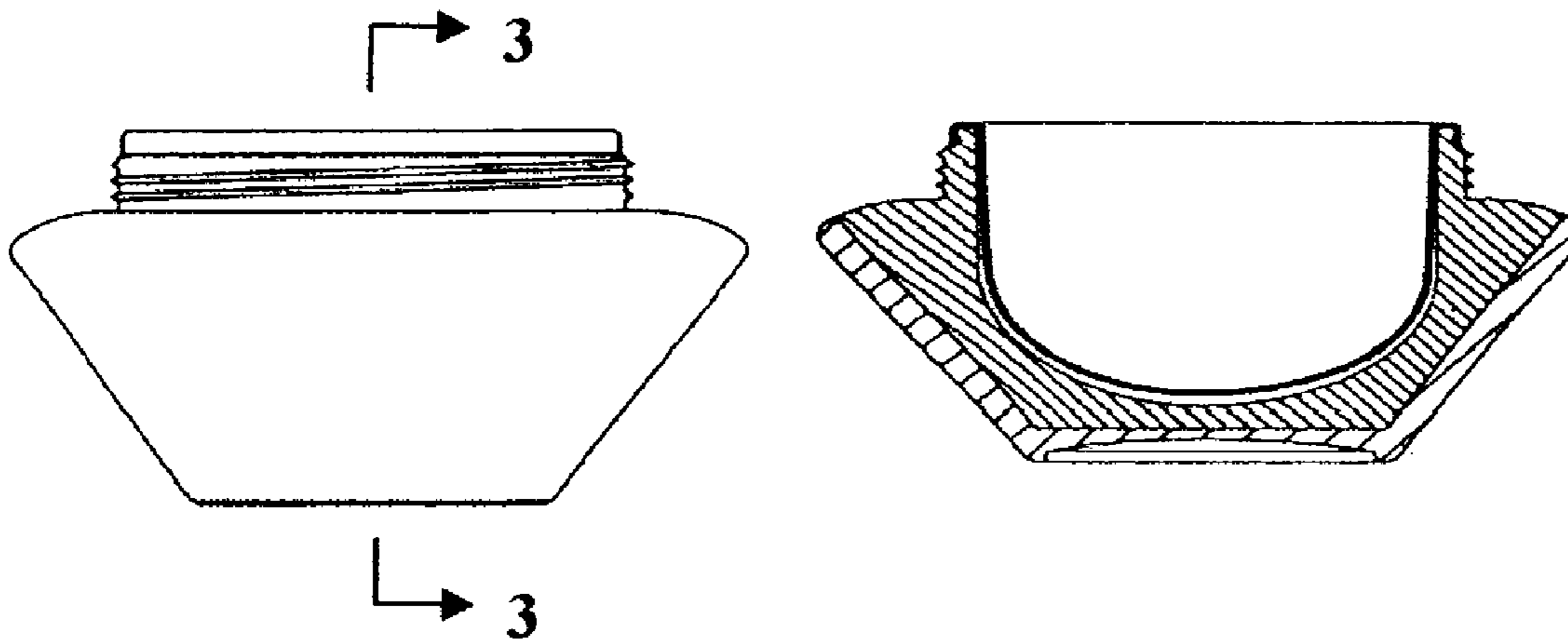
FIG. 1 is a bottom plan view of a bottle showing my new design;

FIG. 2 is a front elevation view thereof, the rear elevation view being identical;

FIG. 3 is a cross-section view taken along the line 3—3 in FIG. 2; and,

FIG. 4 is a top plan view thereof.

1 Claim, 1 Drawing Sheet



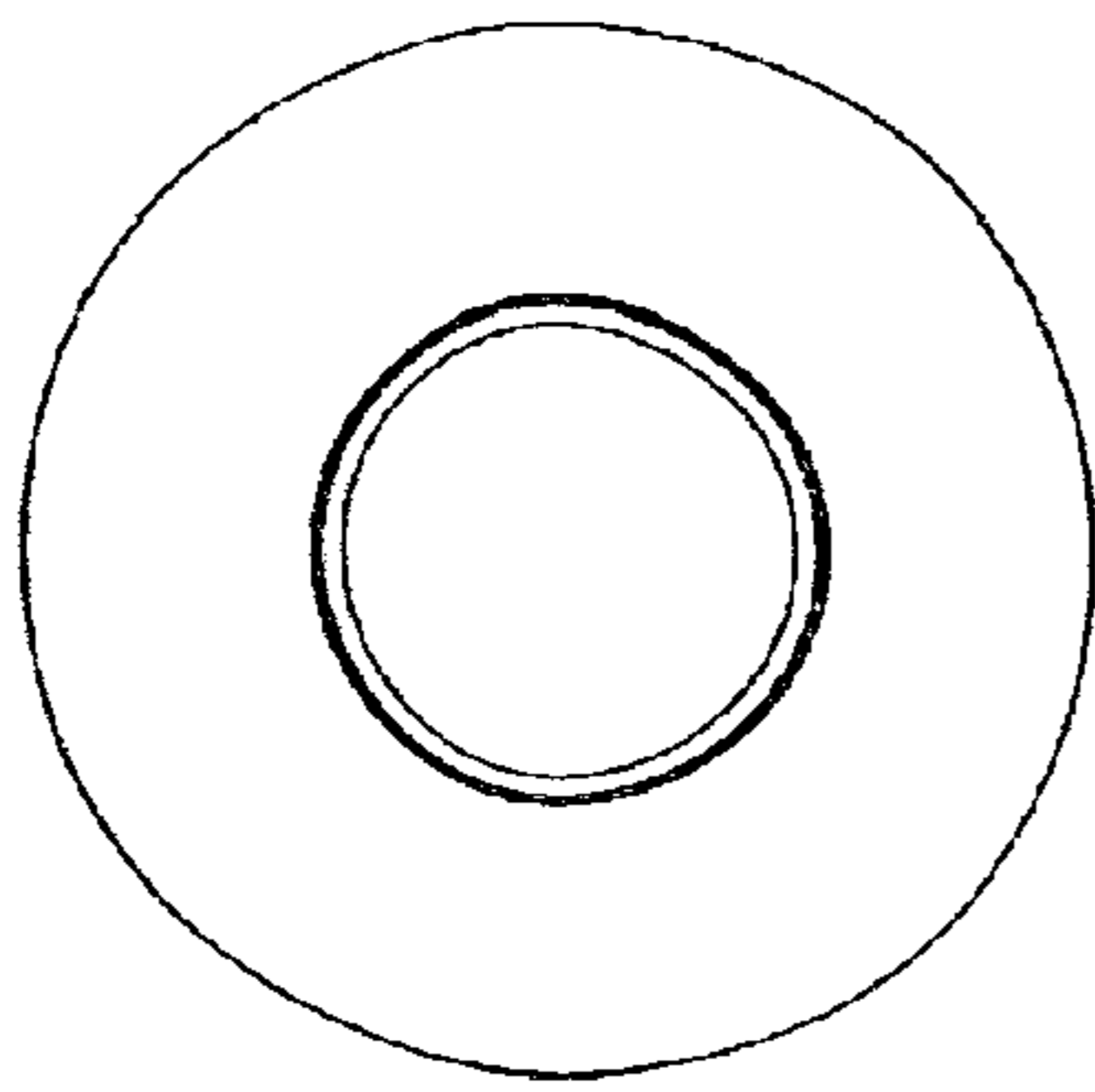


FIG. 1

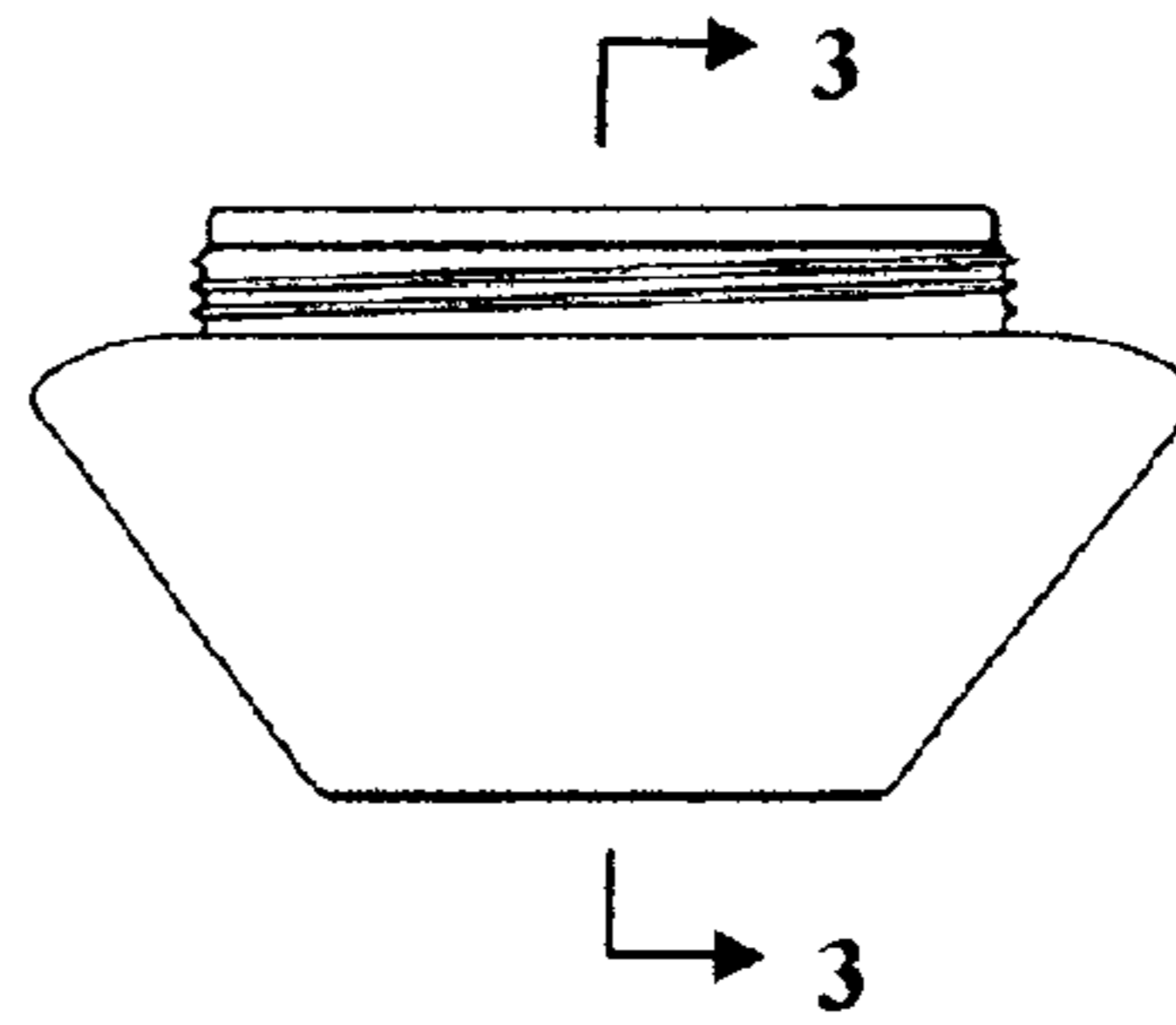


FIG. 2

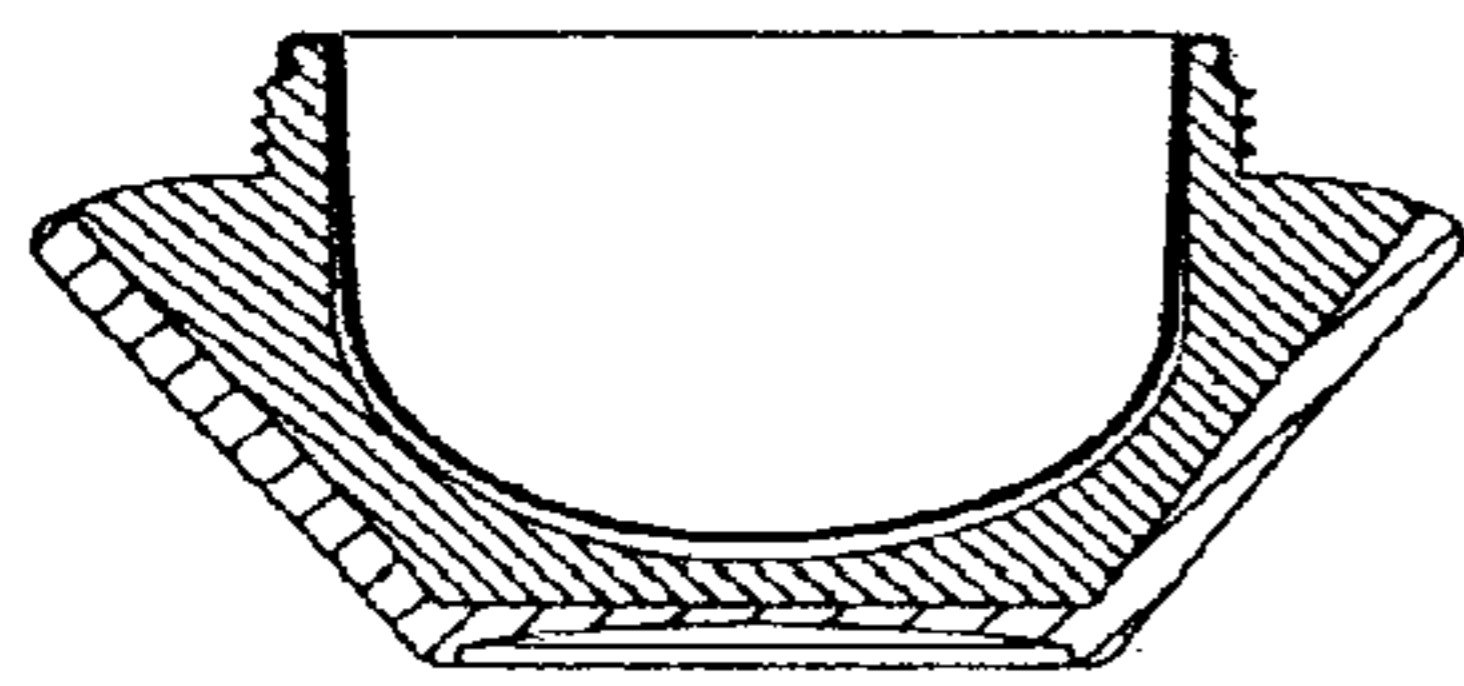


FIG. 3

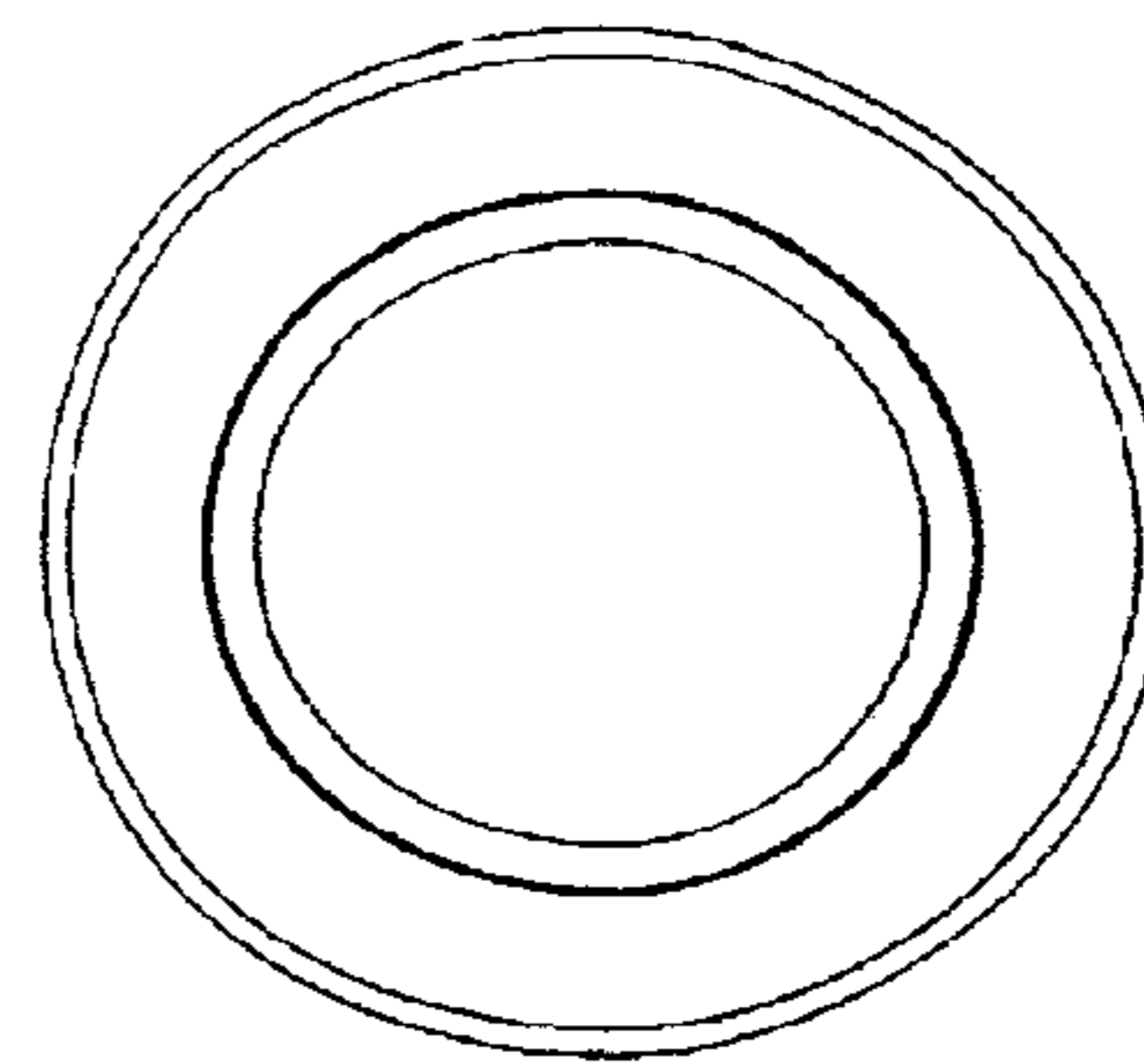


FIG. 4