



US00D582275S

(12) **United States Design Patent**
Reed et al.

(10) **Patent No.:** **US D582,275 S**
(45) **Date of Patent:** **** Dec. 9, 2008**

(54) **CONTAINER CAP**

D518,717 S * 4/2006 German D9/453

(75) Inventors: **David F. Reed**, Wheeling, WV (US);
Louis S. Comadena, Burr Ridge, IL (US)

(73) Assignee: **Penn-Wheeling Closure, LLC**, Glen Dale, WV (US)

(**) Term: **14 Years**

(21) Appl. No.: **29/248,584**

(22) Filed: **Aug. 22, 2006**

(51) **LOC (8) Cl.** **09-07**

(52) **U.S. Cl.** **D9/453; D9/454**

(58) **Field of Classification Search** D9/690,
D9/688, 686, 569, 529, 503, 454, 453, 452,
D9/447, 436, 435, 429; 215/331, 330, 329,
215/317, 316, 272; D12/197; D7/629

See application file for complete search history.

(56) **References Cited**

U.S. PATENT DOCUMENTS

1,793,024	A	*	2/1931	Scofield	215/317
D105,723	S	*	8/1937	Wheaton	D9/453
D201,320	S	*	6/1965	Hirohama	D9/453
D266,906	S	*	11/1982	Guerette	D9/453
D304,424	S	*	11/1989	Dawson	D9/453
D315,507	S	*	3/1991	Ochs	D9/453
D318,804	S	*	8/1991	Ochs	D9/453
D359,451	S	*	6/1995	Dees	D9/443
D437,228	S	*	2/2001	Collins	D9/453
D460,357	S	*	7/2002	Kras et al.	D9/435
D471,813	S	*	3/2003	Shenkar	D9/452
D515,429	S	*	2/2006	Pace	D9/529

OTHER PUBLICATIONS

“U.S. Appl. No. 29/246,874 Notice of Allowability mailed Dec. 15, 2006”, 3 p.

“U.S. Appl. No. 29/248,583, Ex Parte Quayle Action mailed Oct. 18, 2007”, 6 p.

“U.S. Appl. No. 29/248,583 Notice of Allowance mailed Dec. 27, 2006”, 7 p.

“U.S. Appl. No. 29/248,584 Notice of Allowability mailed Dec. 27, 2006”, 4 p.

“Canadian Design Application Serial Number 118229 Response to Office Action mailed Aug. 1, 2008”, 2 pgs.

* cited by examiner

Primary Examiner—Gary D. Watson

Assistant Examiner—Susan B Hattan

(74) *Attorney, Agent, or Firm*—Schwegman, Lundberg & Woessner, P.A.

(57) **CLAIM**

The ornamental design for a container cap, as shown and described.

DESCRIPTION

FIG. 1 is a top perspective view of a container cap, incorporating the new design.

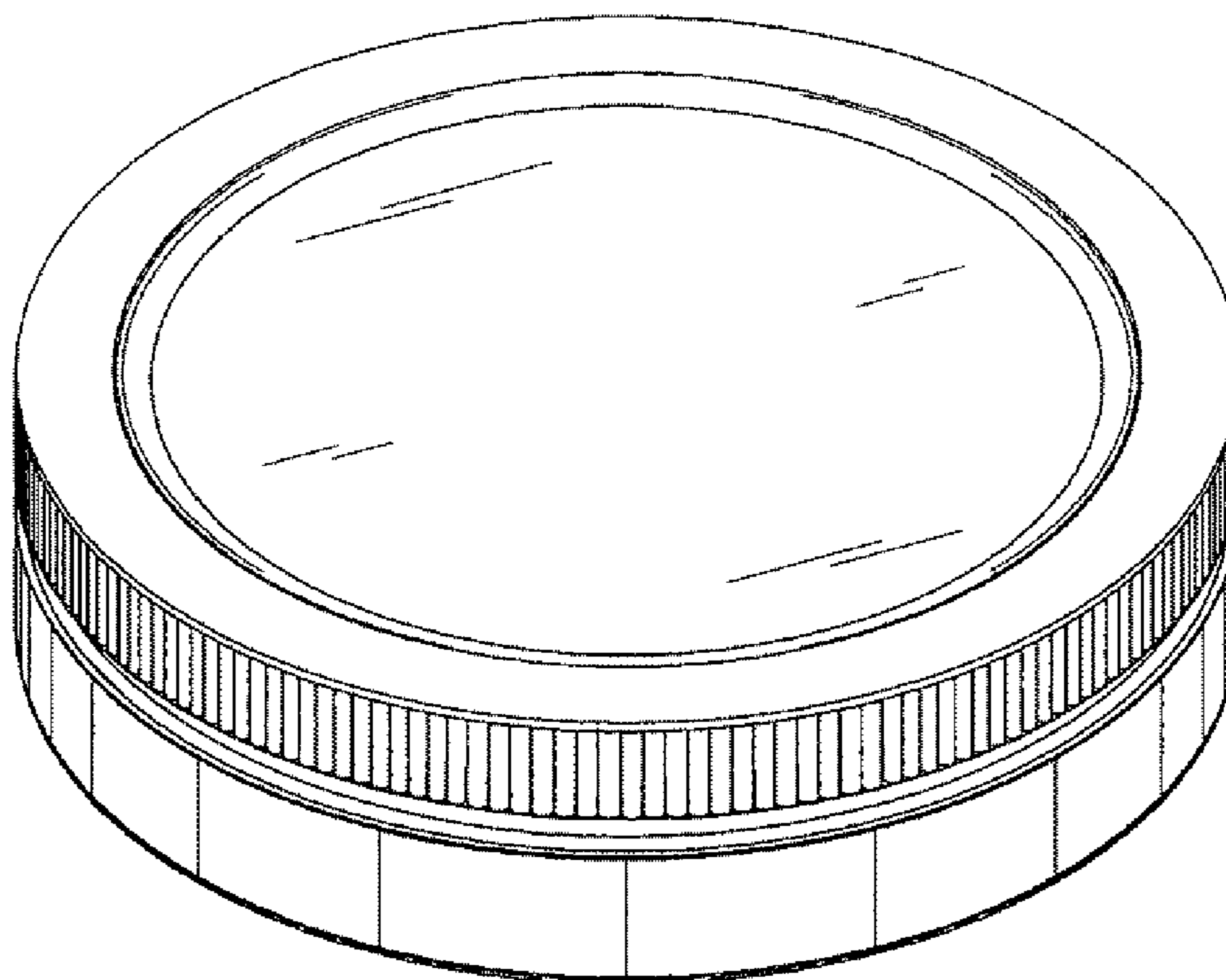
FIG. 2 is a bottom perspective view of the container cap of FIG. 1.

FIG. 3 is a bottom view of the container cap of FIG. 1.

FIG. 4 is a top view of the container cap of FIG. 1; and,

FIG. 5 is a side elevational view of the container cap of FIG. 1.

1 Claim, 2 Drawing Sheets



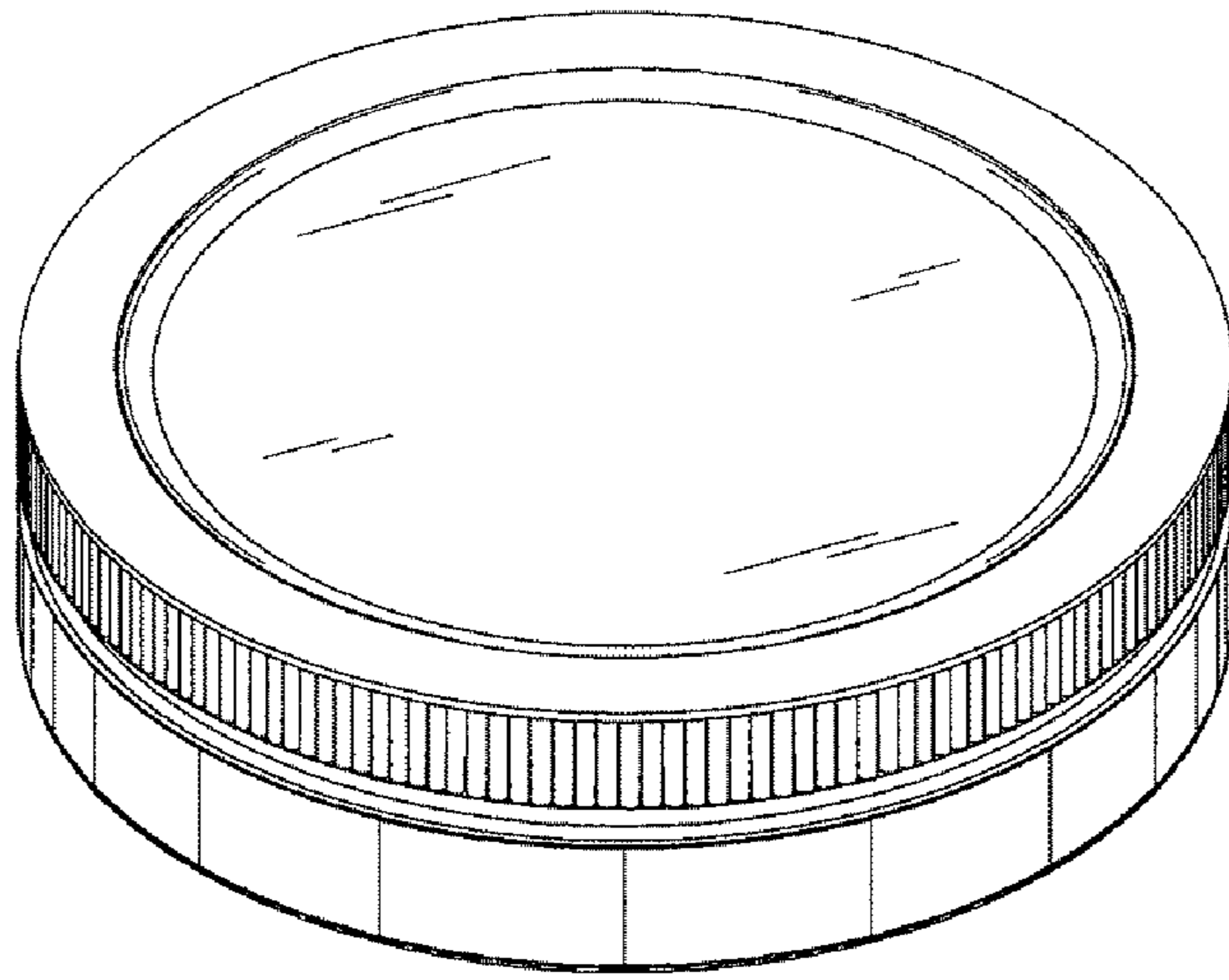


FIG. 1

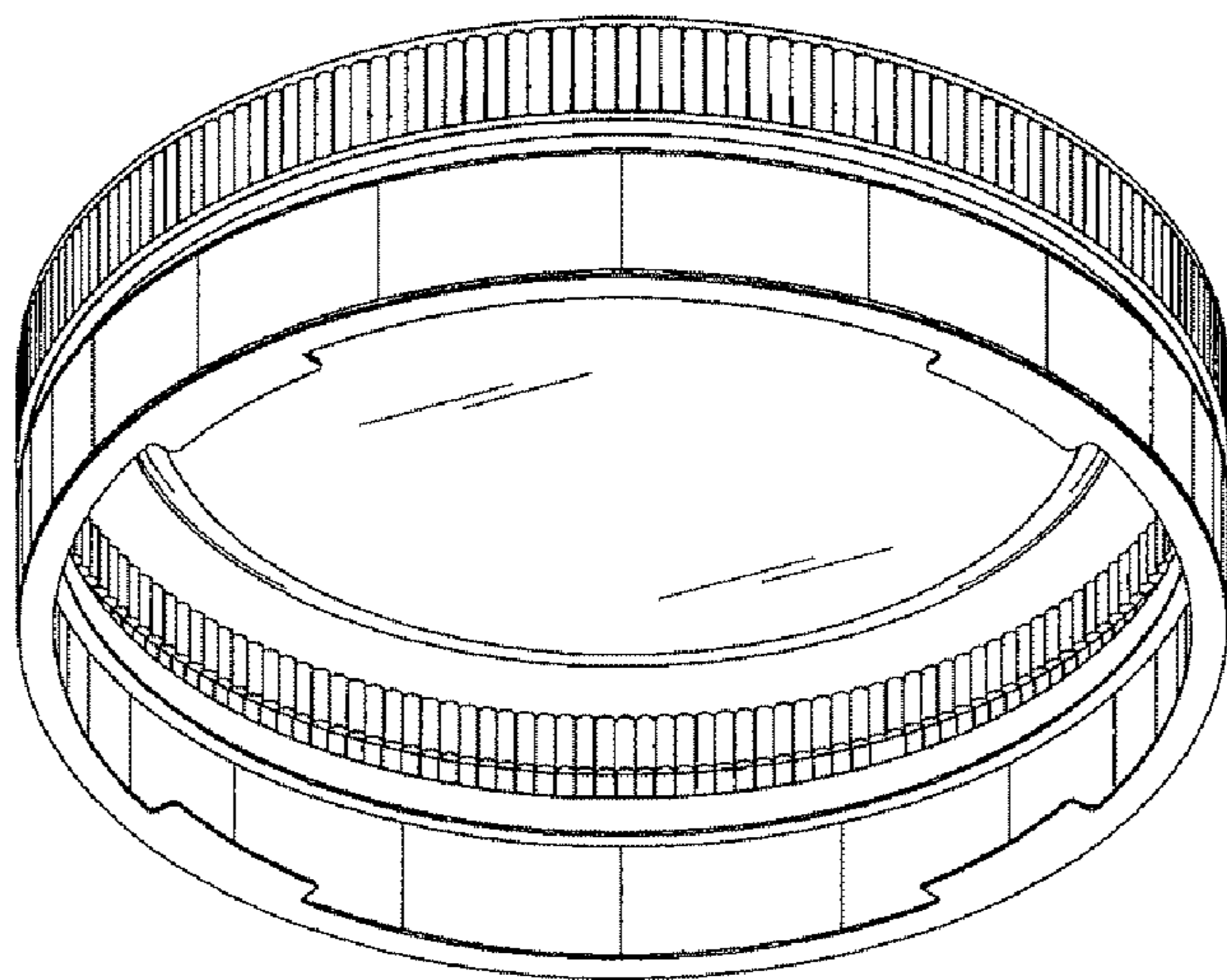


FIG. 2

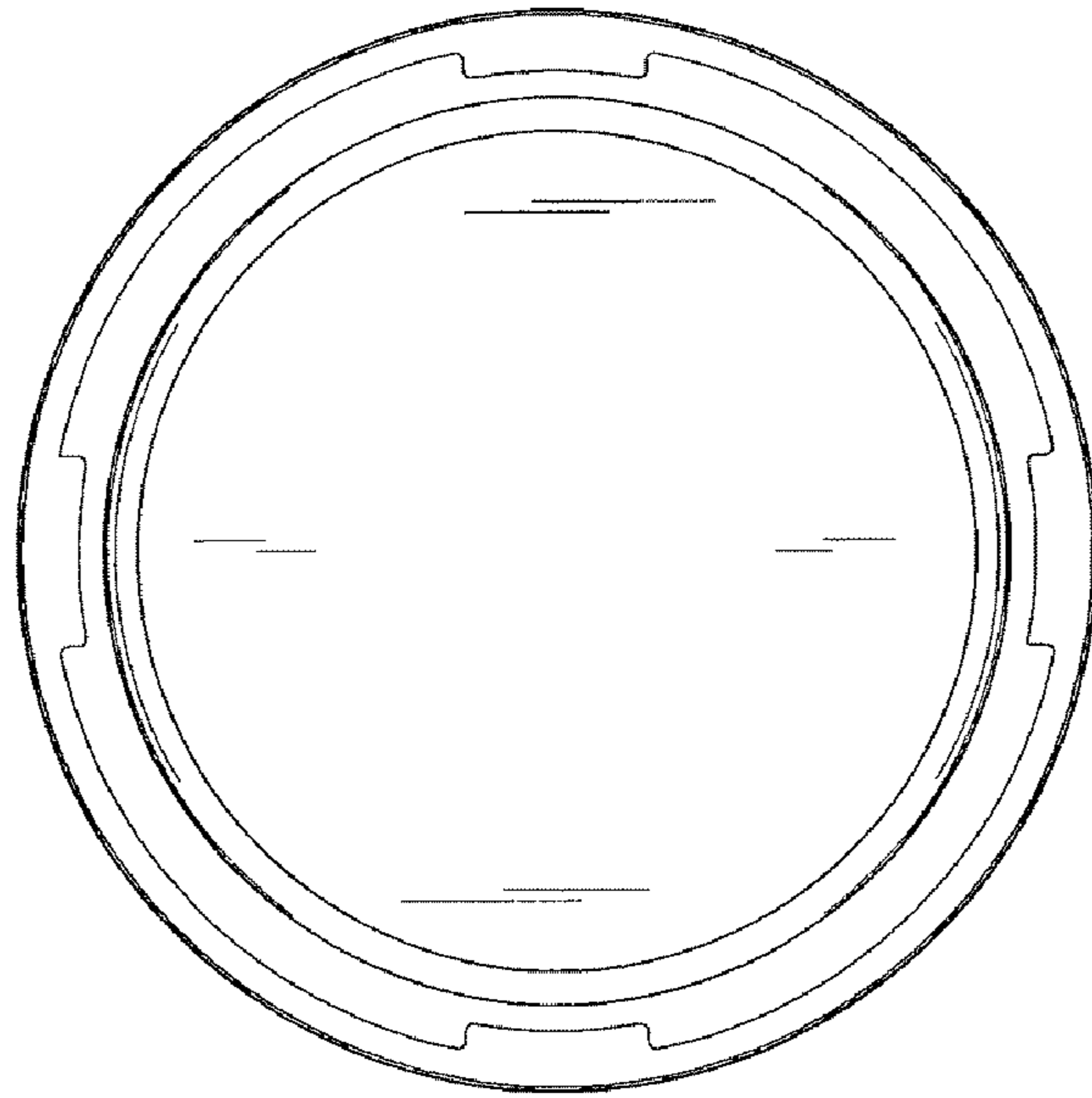


FIG. 3

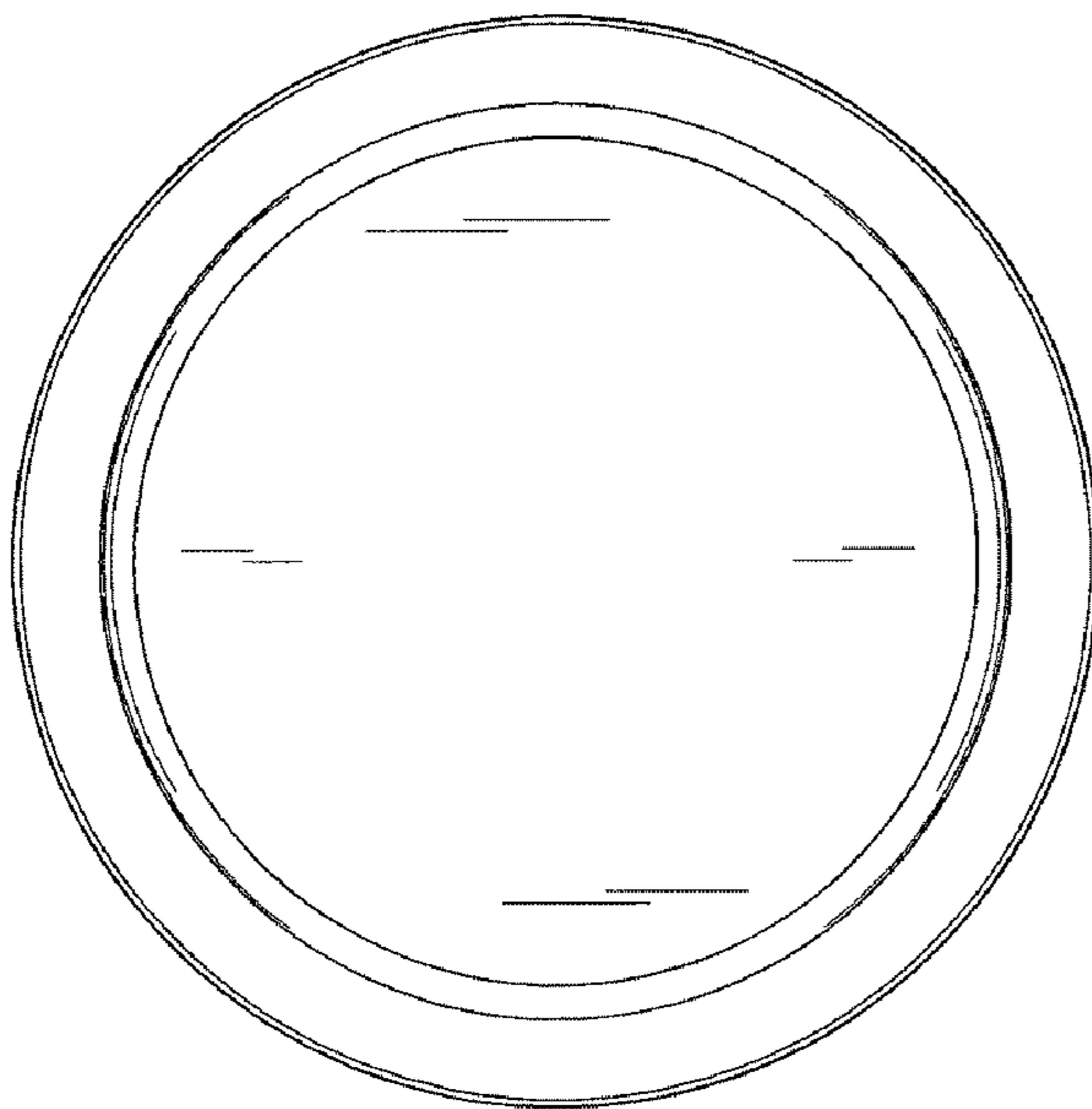


FIG. 4

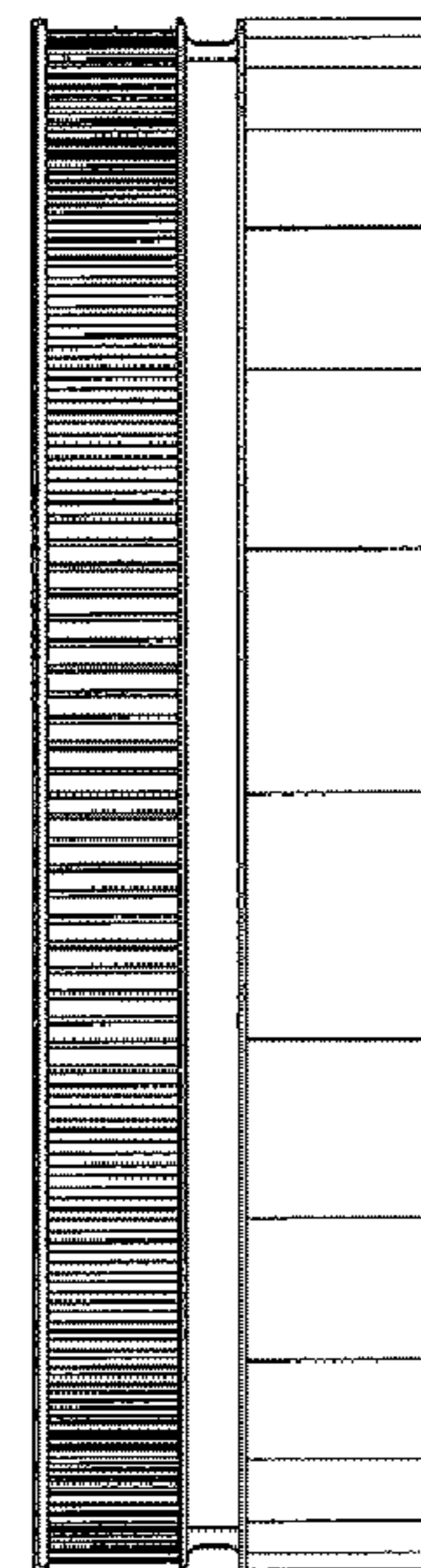


FIG. 5