



US00D582274S

(12) **United States Design Patent**  
**Vogel**

(10) **Patent No.:** **US D582,274 S**  
(45) **Date of Patent:** **\*\* Dec. 9, 2008**

(54) **CLOSURE FOR A CONTAINER**

(75) Inventor: **William C. Vogel**, Mequon, WI (US)

(73) Assignee: **Gateway Plastics, Inc.**, Mequon, WI (US)

(\*\*) Term: **14 Years**

(21) Appl. No.: **29/295,877**

(22) Filed: **Oct. 9, 2007**

**Related U.S. Application Data**

(63) Continuation of application No. 29/269,308, filed on Nov. 28, 2006, now Pat. No. Des. 552,989, which is a continuation of application No. 29/217,725, filed on Nov. 20, 2004, now Pat. No. Des. 532,691.

(51) **LOC (8) Cl.** ..... **09-07**

(52) **U.S. Cl.** ..... **D9/449; D9/454; D9/435**

(58) **Field of Classification Search** ..... D9/741, D9/738, 454, 449, 447, 435, 421, 420; 222/556, 222/483; 220/838, 826, 822, 810; 215/316, 215/200

See application file for complete search history.

(56) **References Cited**

**U.S. PATENT DOCUMENTS**

181,615	A *	8/1876	Albertson	.....	215/237
199,896	A *	2/1878	Burger	.....	222/480
785,116	A *	3/1905	Perry	.....	277/649
847,726	A *	3/1907	Brannon	.....	222/142.9
893,469	A *	7/1908	Essmuller	.....	215/319
947,025	A *	1/1910	Reinmann	.....	210/245
1,330,365	A *	2/1920	Alexander	.....	222/478
1,773,553	A *	8/1930	Taylor et al.	.....	229/5.5
2,094,600	A *	10/1937	Hothersall	.....	222/541.9
2,108,063	A *	2/1938	Hothersall	.....	222/507
D110,872	S *	8/1938	Lewis	.....	D9/905
2,177,589	A *	10/1939	Jacker	.....	222/480
2,276,635	A *	3/1942	Weber	.....	220/349
2,388,738	A *	11/1945	Gudheim	.....	215/232
2,562,647	A *	7/1951	Shaver	.....	222/480

2,576,416	A *	11/1951	Randlett	.....	222/542
2,625,306	A *	1/1953	Murphy	.....	222/498
2,690,861	A *	10/1954	Tupper	.....	222/498
2,780,395	A *	2/1957	Schlabach et al.	.....	222/516
2,817,451	A *	12/1957	Giles et al.	.....	215/230
2,826,343	A *	3/1958	Albiani	.....	222/480
2,849,164	A *	8/1958	Weisgerber	.....	222/480
2,851,203	A *	9/1958	Nowak	.....	222/543
2,894,654	A *	7/1959	Lohrer	.....	215/235
2,954,148	A *	9/1960	Corrinet et al.	.....	222/541.1
2,961,132	A *	11/1960	Ankney	.....	222/480
2,961,133	A *	11/1960	Ankney	.....	222/548
2,971,681	A *	2/1961	Galbierz	.....	222/548

(Continued)

*Primary Examiner*—Robert M. Spear

*Assistant Examiner*—Susan B Hattan

(74) *Attorney, Agent, or Firm*—Foley & Lardner LLP

(57)

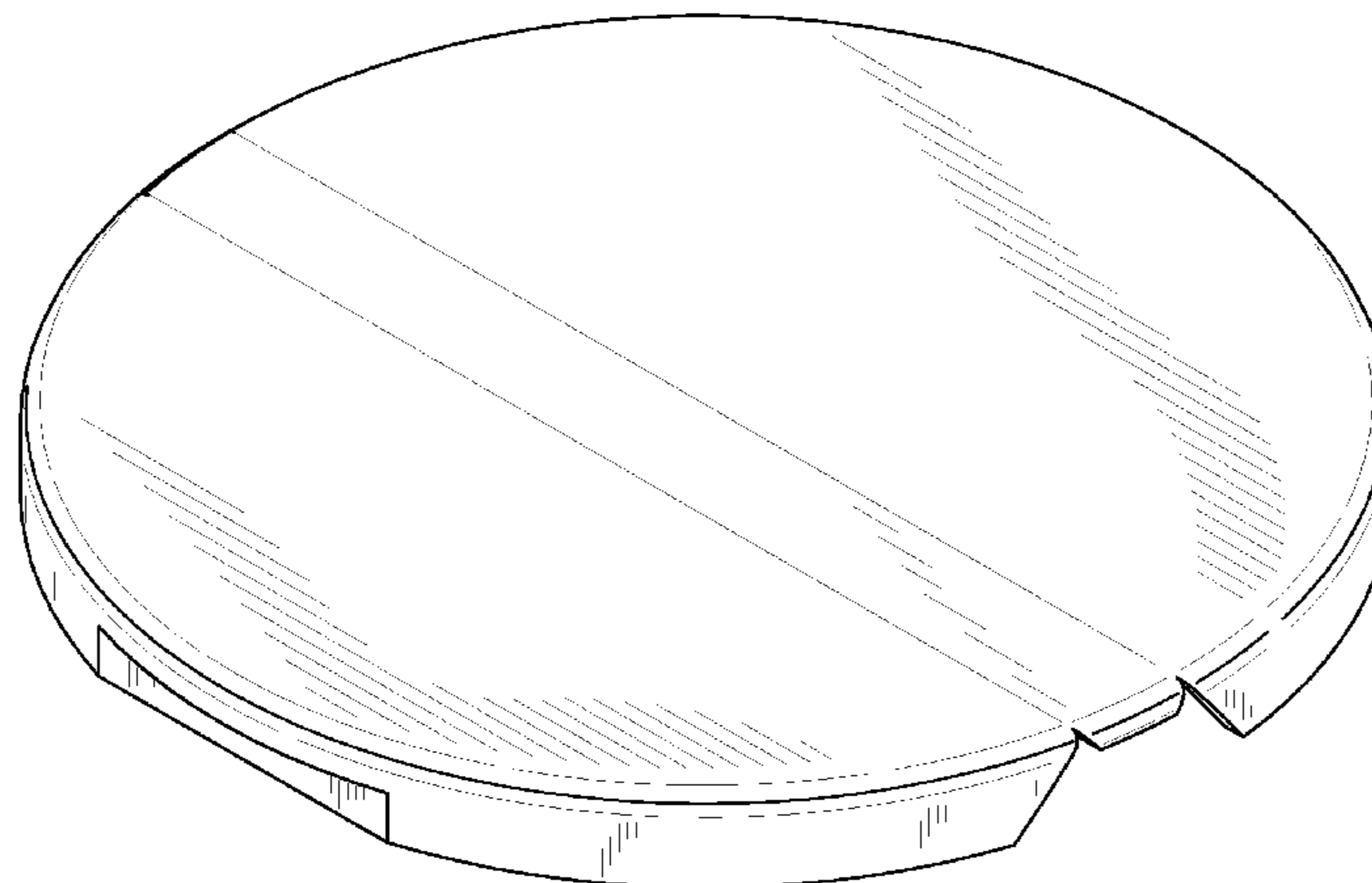
**CLAIM**

We claim the ornamental design for a closure for a container, as shown and described.

**DESCRIPTION**

FIG. 1 is a top perspective view of a closure for a container; FIG. 2 is a top perspective view of the design of FIG. 1; FIG. 3 is a bottom perspective view of the design of FIG. 1; FIG. 4 is a bottom perspective view of the design of FIG. 1; FIG. 5 is a top view of the design of FIG. 1; FIG. 6 is a bottom view of the design of FIG. 1; FIG. 7 is a right side view of the design of FIG. 1, the left side view being a mirror image; FIG. 8 is a front view of the design of FIG. 1; and, FIG. 9 is a rear view of the design of FIG. 1.

**1 Claim, 7 Drawing Sheets**



# US D582,274 S

U.S. PATENT DOCUMENTS											
3,018,931	A *	1/1962	Westgate	.....	222/480	4,258,876	A *	3/1981	Ljungcrantz	.....	229/125.14
3,031,111	A *	4/1962	Stull	.....	222/541.2	4,267,937	A *	5/1981	Piltz et al.	.....	220/267
3,036,746	A *	5/1962	Hagen	.....	222/480	4,274,563	A *	6/1981	Otterson	.....	222/480
3,058,630	A *	10/1962	Abt	.....	222/484	4,280,636	A *	7/1981	Lewis	.....	220/835
3,059,816	A *	10/1962	Goldstein	.....	222/109	4,284,200	A *	8/1981	Bush et al.	.....	215/215
3,100,589	A *	8/1963	Love, Jr.	.....	222/480	4,291,818	A *	9/1981	Nozawa et al.	.....	220/832
3,113,693	A *	12/1963	Stull	.....	220/792	4,299,339	A *	11/1981	Giroux et al.	.....	222/153.14
3,117,701	A *	1/1964	Stull	.....	222/543	4,346,823	A *	8/1982	Eppenbach	.....	222/443
3,140,019	A *	7/1964	Barr	.....	222/480	D266,390	S *	10/1982	Haner	.....	D7/597
3,143,256	A *	8/1964	Lazure et al.	.....	222/480	4,359,171	A *	11/1982	Lewis	.....	220/835
3,155,285	A *	11/1964	Van Baarn	.....	222/153.06	4,361,250	A *	11/1982	Foster	.....	220/266
D200,024	S *	1/1965	Lombardo	.....	D9/447	4,362,253	A *	12/1982	Wortley et al.	.....	220/276
D200,270	S *	2/1965	Waterman	.....	D9/450	4,369,901	A *	1/1983	Hidding	.....	222/480
3,180,537	A *	4/1965	Collins	.....	222/480	4,414,705	A *	11/1983	Ostrowsky	.....	16/225
3,181,746	A *	5/1965	Tupper	.....	222/545	D272,807	S *	2/1984	Ruhl	.....	D9/449
3,203,571	A *	8/1965	Plunkett	.....	215/344	4,442,950	A *	4/1984	Wilson	.....	220/269
3,217,921	A *	11/1965	Frehse	.....	220/378	4,457,458	A *	7/1984	Heinol	.....	222/498
3,217,949	A *	11/1965	Davis	.....	222/480	4,463,869	A *	8/1984	Lewis	.....	220/269
D204,509	S *	4/1966	Waterman	.....	D9/450	4,467,938	A *	8/1984	Allen	.....	220/270
3,262,606	A *	7/1966	Waterman	.....	222/480	D276,981	S *	1/1985	Cleevly	.....	D9/449
3,281,982	A *	11/1966	Salisbury	.....	43/42.5	4,494,679	A *	1/1985	Cleevly	.....	222/151
3,322,308	A *	5/1967	Foster	.....	222/480	4,500,016	A *	2/1985	Funfstuck	.....	222/153.14
3,323,671	A *	6/1967	Minarik, Jr. et al.	.....	215/237	4,503,991	A *	3/1985	Joyce	.....	220/838
3,351,242	A *	11/1967	Lodding et al.	.....	222/189.02	D278,602	S *	4/1985	Rosenstein	.....	D9/449
3,370,757	A *	2/1968	Foster	.....	222/153.07	4,533,058	A *	8/1985	Uhlig	.....	215/216
3,372,832	A *	3/1968	Yeater et al.	.....	220/254.3	4,538,731	A *	9/1985	Cillario	.....	206/540
3,397,823	A *	8/1968	Kirkpatrick	.....	222/480	4,541,541	A *	9/1985	Hickman et al.	.....	220/253
3,412,890	A *	11/1968	Rich	.....	220/315	4,545,495	A *	10/1985	Kinsley	.....	215/235
3,428,208	A *	2/1969	Kosar	.....	220/288	4,545,508	A *	10/1985	Cribb et al.	.....	222/153.06
3,463,364	A *	8/1969	Rehag	.....	222/480	4,580,687	A *	4/1986	Lewis	.....	215/237
3,469,732	A *	9/1969	Foster	.....	220/835	4,610,371	A *	9/1986	Karkiewicz	.....	220/266
3,486,665	A *	12/1969	Lacroce	.....	222/480	4,611,725	A *	9/1986	Kacalief	.....	220/253
3,499,588	A *	3/1970	Trumbull et al.	.....	222/556	4,621,744	A *	11/1986	Foster	.....	220/270
D218,289	S *	8/1970	Posada	.....	D9/447	4,629,081	A *	12/1986	McLaren	.....	215/206
3,542,235	A *	11/1970	Hidding	.....	220/254.2	4,648,528	A *	3/1987	LaBarge et al.	.....	220/240
3,563,426	A *	2/1971	Bartilson	.....	222/556	4,651,885	A *	3/1987	Gach	.....	215/250
3,651,992	A *	3/1972	Hazard	.....	222/153.06	4,658,980	A *	4/1987	Lindstrom	.....	220/214
3,659,756	A *	5/1972	Lancaster	.....	222/531	D291,411	S *	8/1987	Crawford	.....	D9/440
3,675,812	A *	7/1972	Foster	.....	220/835	4,693,399	A *	9/1987	Hickman et al.	.....	222/480
3,741,377	A *	6/1973	Krellen	.....	206/5	D292,491	S *	10/1987	Ross et al.	.....	D9/447
3,744,662	A *	7/1973	Zundel	.....	220/269	4,714,181	A *	12/1987	Kozlowski et al.	.....	222/480
3,782,583	A *	1/1974	Abbey	.....	220/837	4,723,693	A *	2/1988	DeCoster	.....	222/483
3,788,510	A *	1/1974	Collins	.....	215/341	4,726,091	A *	2/1988	Joyce	.....	16/227
3,871,550	A *	3/1975	Chiappe	.....	220/825	4,735,334	A *	4/1988	Abbott	.....	222/546
3,874,580	A *	4/1975	Weatherhead, III	.....	229/5.5	4,739,906	A *	4/1988	LoTurco	.....	222/212
3,877,604	A *	4/1975	Brown	.....	220/267	4,752,014	A *	6/1988	House et al.	.....	215/216
3,888,373	A *	6/1975	Gach et al.	.....	215/214	4,778,071	A *	10/1988	Fillmore	.....	215/237
3,952,912	A *	4/1976	Perry	.....	220/269	4,792,054	A *	12/1988	Weidman	.....	222/23
3,966,080	A *	6/1976	Bittel	.....	220/269	4,793,501	A *	12/1988	Beck	.....	215/235
4,022,352	A *	5/1977	Pehr	.....	222/153.14	4,793,502	A *	12/1988	Beck	.....	215/235
4,029,033	A *	6/1977	Kerwin et al.	.....	156/69	4,823,995	A *	4/1989	Lewis	.....	222/545
4,029,202	A *	6/1977	Lasich et al.	.....	206/562	4,838,441	A *	6/1989	Chernack	.....	215/216
4,030,630	A *	6/1977	Yealy	.....	220/258.2	4,848,612	A *	7/1989	Beck	.....	215/235
D245,750	S *	9/1977	Maclean	.....	D7/591	4,854,473	A *	8/1989	Dubach	.....	220/838
4,059,201	A *	11/1977	Foster	.....	220/258.2	4,878,589	A *	11/1989	Webster et al.	.....	215/252
4,069,942	A *	1/1978	Marshall et al.	.....	221/4	4,881,668	A *	11/1989	Kitterman et al.	.....	222/482
D247,475	S *	3/1978	Newman	.....	D9/447	4,881,688	A *	11/1989	Hankvist et al.	.....	239/691
4,082,201	A *	4/1978	Bittel	.....	220/834	D305,206	S *	12/1989	Hickman et al.	.....	D9/449
D248,204	S *	6/1978	Daenen	.....	D7/591	D305,734	S *	1/1990	Allen	.....	D9/438
D249,023	S *	8/1978	Ames	.....	D9/440	4,898,292	A *	2/1990	VerWeyst et al.	.....	215/237
4,106,672	A *	8/1978	Tecco et al.	.....	222/151	D306,563	S *	3/1990	Johnson	.....	D9/434
4,120,432	A *	10/1978	Fuchs	.....	222/565	D306,701	S *	3/1990	Beck	.....	D9/446
4,144,985	A *	3/1979	Kinslow	.....	220/254.3	4,925,067	A *	5/1990	Zemlo et al.	.....	222/480
4,155,481	A *	5/1979	Takahashi et al.	.....	220/270	4,927,065	A *	5/1990	Beck	.....	222/520
4,163,496	A *	8/1979	Dogliotti	.....	206/538	4,934,590	A *	6/1990	Robichaud et al.	.....	229/125.09
4,165,015	A *	8/1979	Hasegawa	.....	220/269	4,936,494	A *	6/1990	Weidman	.....	222/480
4,170,315	A *	10/1979	Dubach et al.	.....	220/281	4,938,390	A *	7/1990	Markva	.....	222/541.4
D255,326	S *	6/1980	Pettengill	.....	D9/669	4,940,167	A *	7/1990	Fillmore et al.	.....	222/153.09
4,231,486	A *	11/1980	Bock	.....	220/266	4,955,504	A *	9/1990	Lesscher	.....	220/321
4,234,099	A *	11/1980	Tarro	.....	220/269	4,955,513	A *	9/1990	Bennett	.....	222/480
4,253,587	A *	3/1981	Otterson	.....	222/151	4,967,941	A *	11/1990	Beck	.....	222/521
						4,971,213	A *	11/1990	Ishinabe et al.	.....	215/344
						4,984,716	A *	1/1991	Beck	.....	222/153.07

# US D582,274 S

4,993,606	A *	2/1991	Bolen et al. ....	222/546	5,829,611	A *	11/1998	Beck .....	215/252
5,007,555	A *	4/1991	Beck .....	220/254.3	5,842,592	A *	12/1998	Beck .....	215/253
5,016,787	A *	5/1991	Beck .....	222/522	5,860,968	A *	1/1999	Wojcik et al. ....	606/10
D318,777	S *	8/1991	Freese .....	D7/392	5,865,353	A *	2/1999	Baudin .....	222/546
D318,778	S *	8/1991	Fiore et al. ....	D7/591	5,875,907	A *	3/1999	Lay .....	215/253
D319,588	S *	9/1991	Beck .....	D9/447	D407,976	S *	4/1999	Ekkert .....	D9/449
5,048,730	A *	9/1991	Forsyth et al. ....	222/482	5,913,435	A *	6/1999	Fuchs .....	215/237
D320,739	S *	10/1991	Camus .....	D32/29.1	D413,064	S *	8/1999	Bansal .....	D9/449
D320,746	S *	10/1991	Bolen et al. ....	D9/446	D414,698	S *	10/1999	Mogard et al. ....	D9/450
D321,137	S *	10/1991	Hofmann et al. ....	D9/447	5,971,231	A *	10/1999	Samz et al. ....	222/480
5,052,572	A *	10/1991	Pherigo .....	220/270	5,975,368	A *	11/1999	Wood .....	222/151
D321,476	S *	11/1991	Alcover .....	D32/29.1	5,996,859	A *	12/1999	Beck .....	222/556
5,067,624	A *	11/1991	Thanisch .....	215/235	D419,069	S *	1/2000	Beck et al. ....	D9/443
D323,461	S *	1/1992	Beck .....	D9/447	6,024,256	A *	2/2000	Beck et al. ....	222/153.06
D323,462	S *	1/1992	Beck .....	D9/447	6,102,257	A *	8/2000	Goyet .....	222/498
5,083,671	A *	1/1992	Hayes .....	215/245	D435,445	S *	12/2000	Arai et al. ....	D9/447
D324,175	S *	2/1992	Beck .....	D9/447	6,158,632	A *	12/2000	Ekkert .....	222/556
5,085,331	A *	2/1992	Groya et al. ....	215/245	6,164,503	A *	12/2000	Forsyth et al. ....	222/556
5,129,531	A *	7/1992	Beck et al. ....	215/256	D436,040	S *	1/2001	Warner et al. ....	D9/449
5,129,533	A *	7/1992	Loffler .....	215/344	6,170,664	B1 *	1/2001	Dar .....	206/5.1
5,143,234	A *	9/1992	Lohrman et al. ....	215/235	6,202,872	B1 *	3/2001	Smeyak et al. ....	215/343
D331,877	S *	12/1992	Robichaud et al. ....	D9/449	D440,156	S *	4/2001	Lonczak et al. ....	D7/597
D331,878	S *	12/1992	Forsyth .....	D9/449	6,250,507	B1 *	6/2001	Ekkert .....	222/153.14
5,167,338	A *	12/1992	Kick .....	220/253	6,250,517	B1 *	6/2001	Samz et al. ....	222/565
5,183,171	A *	2/1993	Pherigo .....	220/258.3	6,283,317	B1 *	9/2001	Benoit-gonin et al. ....	215/235
5,197,634	A *	3/1993	Beck .....	222/109	6,289,906	B1 *	9/2001	Vanden Dries et al. ....	134/117
5,211,301	A *	5/1993	Groya et al. ....	215/245	6,296,130	B1 *	10/2001	Forsyth et al. ....	215/219
5,215,204	A *	6/1993	Beck et al. ....	215/252	6,299,033	B1 *	10/2001	VerWeyst et al. ....	222/480
5,219,100	A *	6/1993	Beck et al. ....	222/480	6,308,870	B2 *	10/2001	Samz et al. ....	222/480
D339,065	S *	9/1993	Forsyth et al. ....	D9/447	6,321,923	B1 *	11/2001	Wood .....	215/235
D340,187	S *	10/1993	Forsyth .....	D9/449	6,325,231	B1 *	12/2001	Ketting et al. ....	220/254.3
D340,188	S *	10/1993	Forsyth .....	D9/449	6,332,551	B1 *	12/2001	Copeland .....	220/262
5,282,540	A *	2/1994	Beck .....	215/252	D453,892	S *	2/2002	Lindsay et al. ....	D7/596
5,297,688	A *	3/1994	Beck et al. ....	215/344	RE37,634	E *	4/2002	Hickman et al. ....	222/480
5,305,931	A *	4/1994	Martin et al. ....	222/480	6,364,169	B1 *	4/2002	Knickerbocker .....	222/189.02
D346,958	S *	5/1994	Olson .....	D32/35	6,382,476	B1 *	5/2002	Randall et al. ....	222/545
5,314,093	A *	5/1994	Gross et al. ....	222/153.14	6,405,885	B1 *	6/2002	Elliott .....	215/237
D347,974	S *	6/1994	McBride .....	D7/619.1	6,439,410	B1 *	8/2002	Dubach .....	215/235
5,328,063	A *	7/1994	Beck et al. ....	222/524	6,460,712	B2 *	10/2002	Smith et al. ....	215/235
5,330,082	A *	7/1994	Forsyth .....	222/480	6,460,718	B1 *	10/2002	Vogel .....	220/254.2
5,339,993	A *	8/1994	Groya et al. ....	222/153.02	6,460,726	B1 *	10/2002	Hierzer et al. ....	220/838
5,356,017	A *	10/1994	Rohr et al. ....	215/216	6,464,113	B1 *	10/2002	Vogel .....	222/480
D355,121	S *	2/1995	Kohl .....	D9/447	6,474,491	B1 *	11/2002	Benoit-Gonin et al. ....	215/252
5,423,442	A *	6/1995	Nozawa et al. ....	215/235	6,477,743	B1 *	11/2002	Gross et al. ....	222/525
5,467,879	A *	11/1995	Moore .....	215/253	6,481,589	B2 *	11/2002	Blomdahl et al. ....	215/303
5,489,035	A *	2/1996	Fuchs .....	215/235	6,488,187	B2 *	12/2002	Sheffler et al. ....	222/480
5,494,200	A *	2/1996	Sheffler et al. ....	222/565	6,494,346	B2 *	12/2002	Gross et al. ....	222/185.1
5,499,736	A *	3/1996	Kohl .....	220/254.5	D468,639	S *	1/2003	Wennerstrom et al. ....	D9/449
5,507,419	A *	4/1996	Martin et al. ....	222/480	6,508,373	B1 *	1/2003	Robinson .....	215/209
5,509,582	A *	4/1996	Robbins, III .....	222/158	6,510,971	B1 *	1/2003	Martin .....	222/556
5,511,679	A *	4/1996	Beck .....	220/270	6,576,323	B2 *	6/2003	Wise et al. ....	428/156
5,542,579	A *	8/1996	Robbins, III .....	222/158	D476,892	S *	7/2003	Martin et al. ....	D9/449
5,566,850	A *	10/1996	Forsyth et al. ....	220/253	6,691,901	B2 *	2/2004	Parve et al. ....	222/556
5,579,957	A *	12/1996	Gentile et al. ....	222/153.14	D509,426	S *	9/2005	Samz et al. ....	D9/447
5,588,546	A *	12/1996	Farside .....	215/237	7,007,830	B2 *	3/2006	Parve et al. ....	222/556
5,601,213	A *	2/1997	Daniello .....	222/456	D522,362	S *	6/2006	Liebe .....	D9/449
5,632,417	A *	5/1997	Robbins et al. ....	222/158	2003/0071041	A1 *	4/2003	Vogel .....	220/254.2
5,642,824	A *	7/1997	Hess et al. ....	215/235	2003/0090036	A1 *	5/2003	Vogel .....	264/322
5,667,089	A *	9/1997	Moore .....	215/351	2003/0111495	A1 *	6/2003	Parve et al. ....	222/556
D385,791	S *	11/1997	Forsyth et al. ....	D9/447	2004/0089678	A1 *	5/2004	Martin .....	222/556
5,697,509	A *	12/1997	Hayes .....	215/235	2004/0118846	A1 *	6/2004	Merolla .....	220/254.2
5,743,444	A *	4/1998	Beck et al. ....	222/521	2004/0134942	A1 *	7/2004	Parve et al. ....	222/556
5,762,216	A *	6/1998	Takeuchi .....	215/235	2004/0173645	A1 *	9/2004	Vogel et al. ....	222/556
5,785,193	A *	7/1998	Kobayashi et al. ....	215/235	2004/0226950	A1 *	11/2004	Samz et al. ....	220/254.2
5,799,838	A *	9/1998	Miller .....	222/480	2005/0023304	A1 *	2/2005	Vogel et al. ....	222/480
5,829,609	A *	11/1998	Beck .....	215/217					

\* cited by examiner

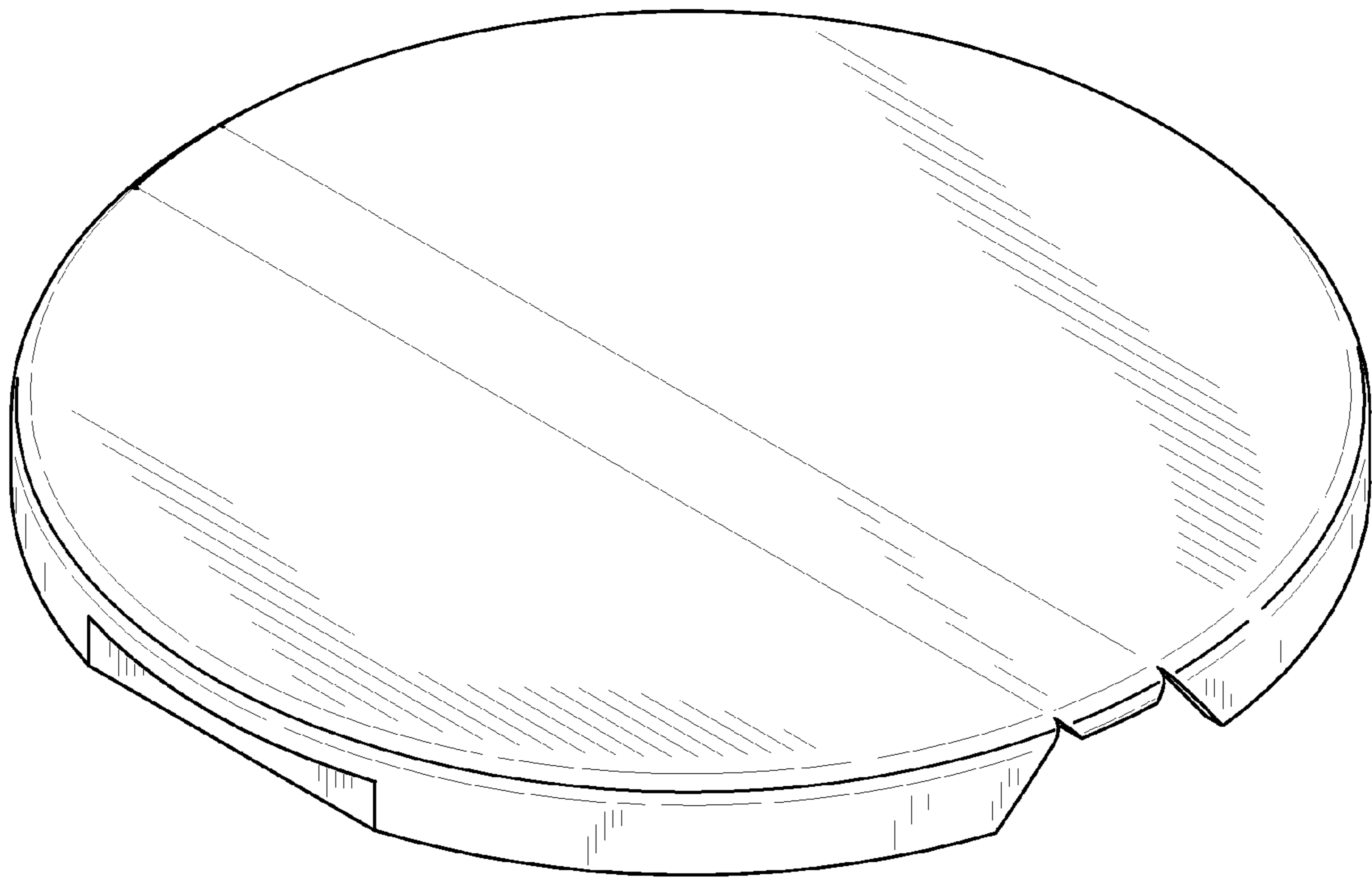


FIGURE 1

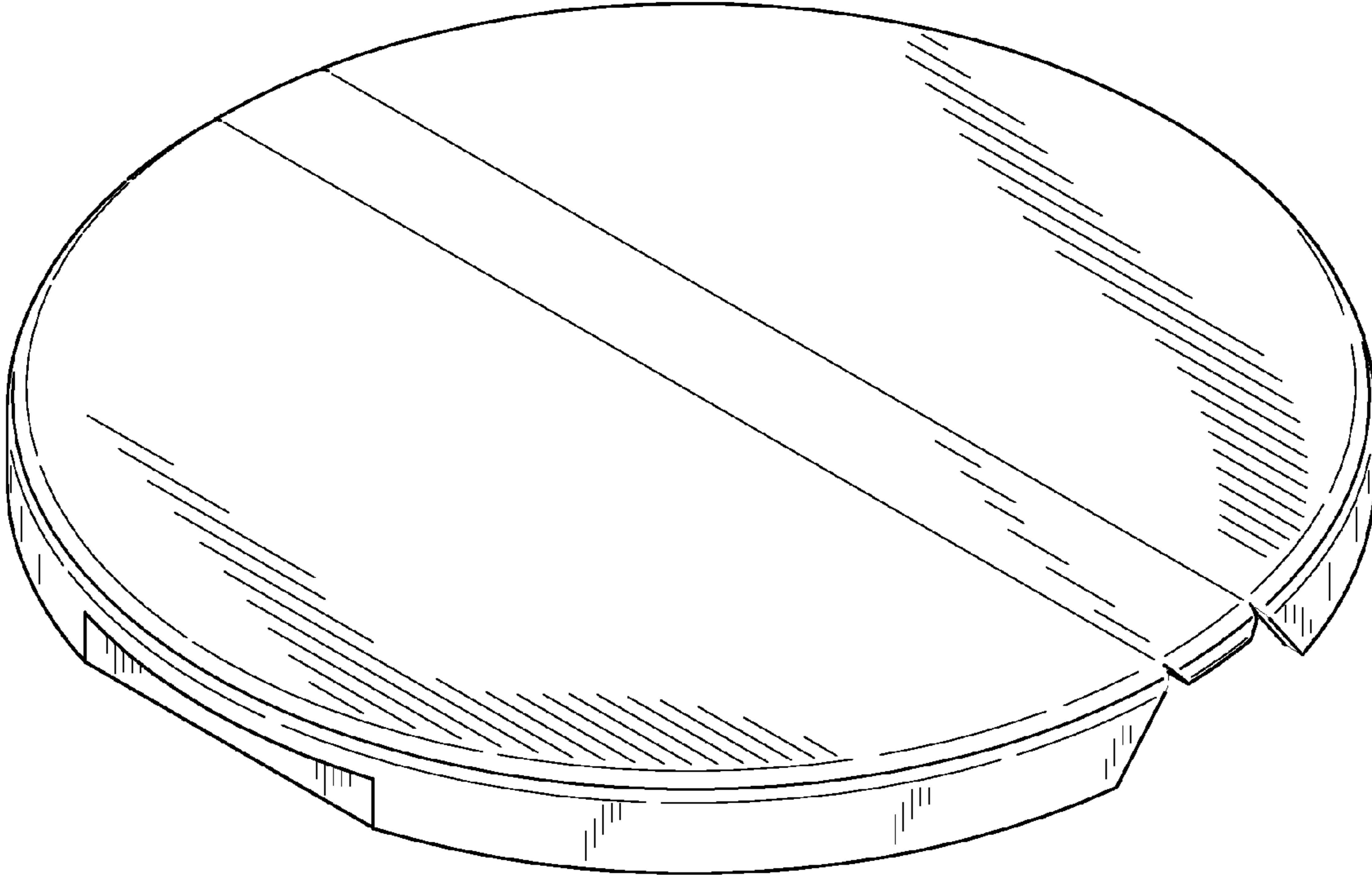


FIGURE 2

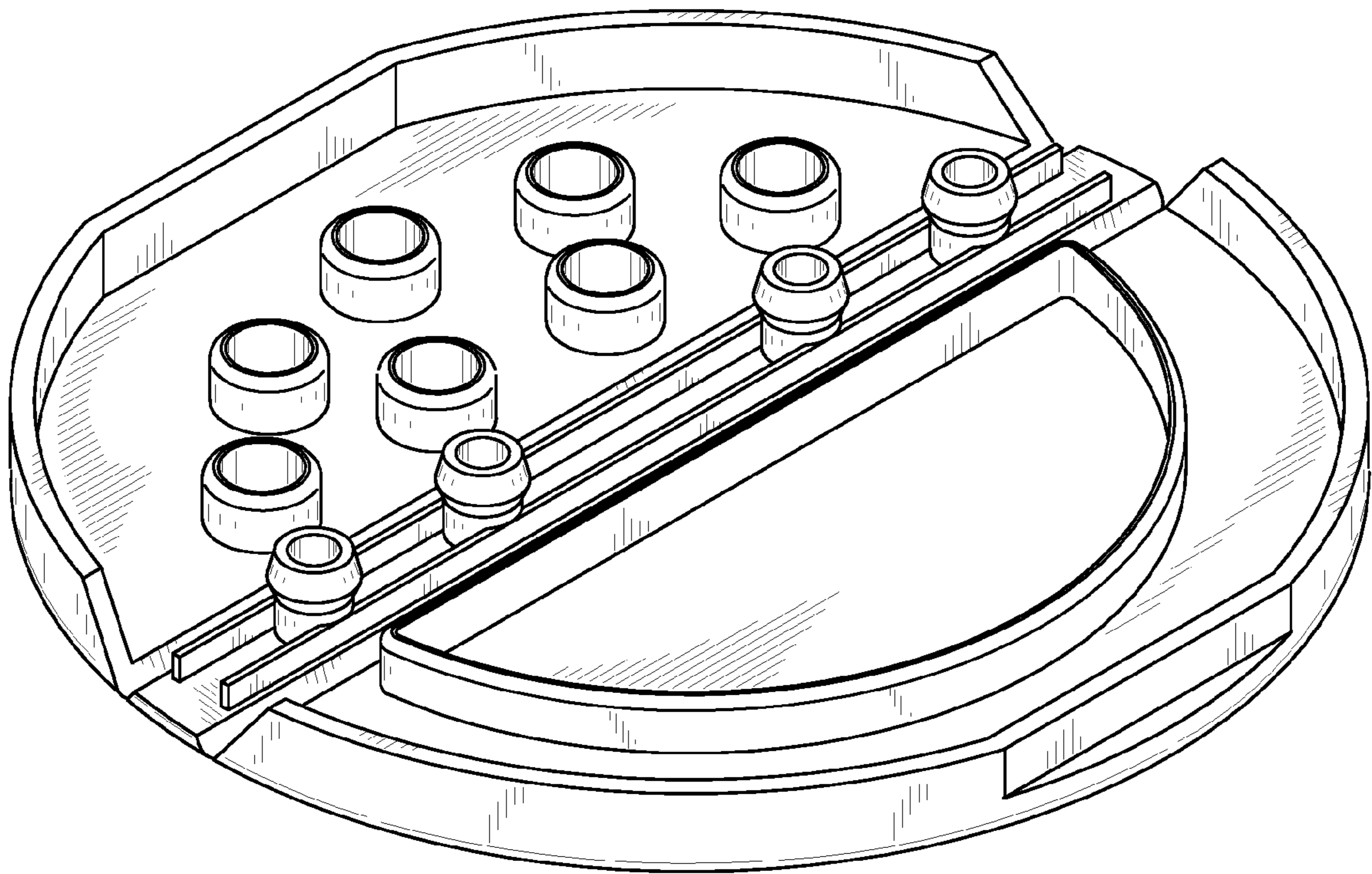


FIGURE 3

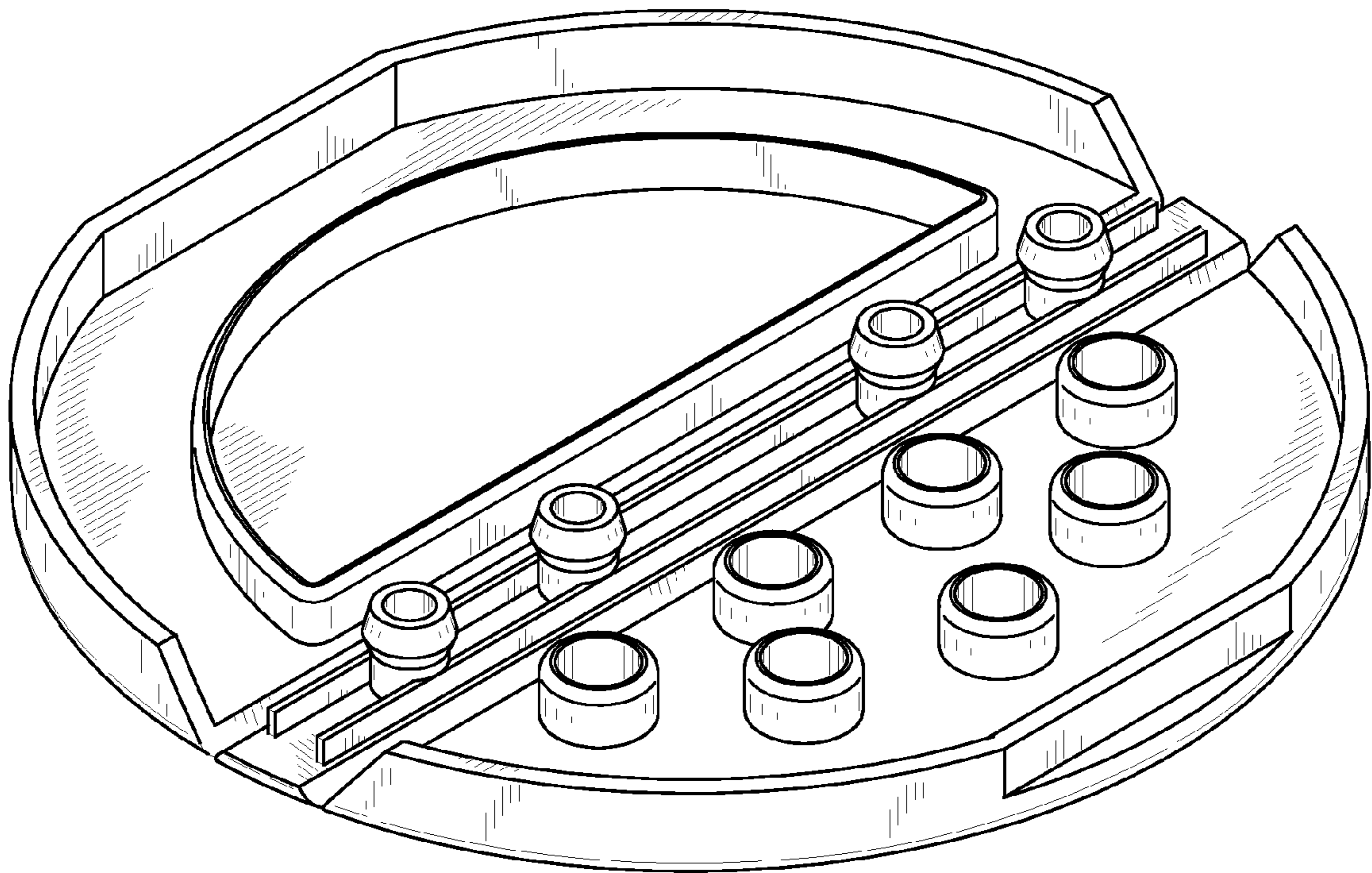


FIGURE 4

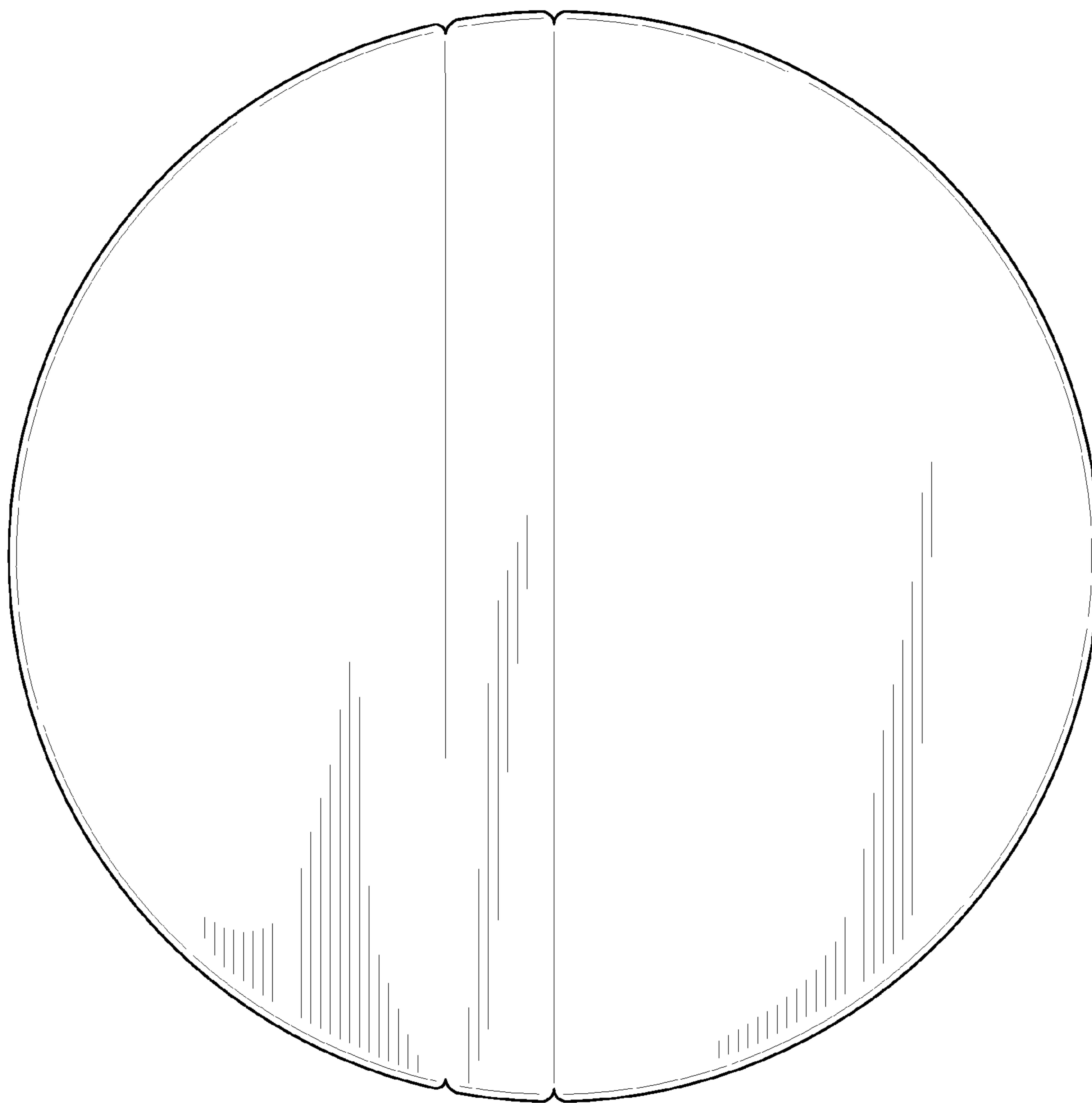


FIGURE 5



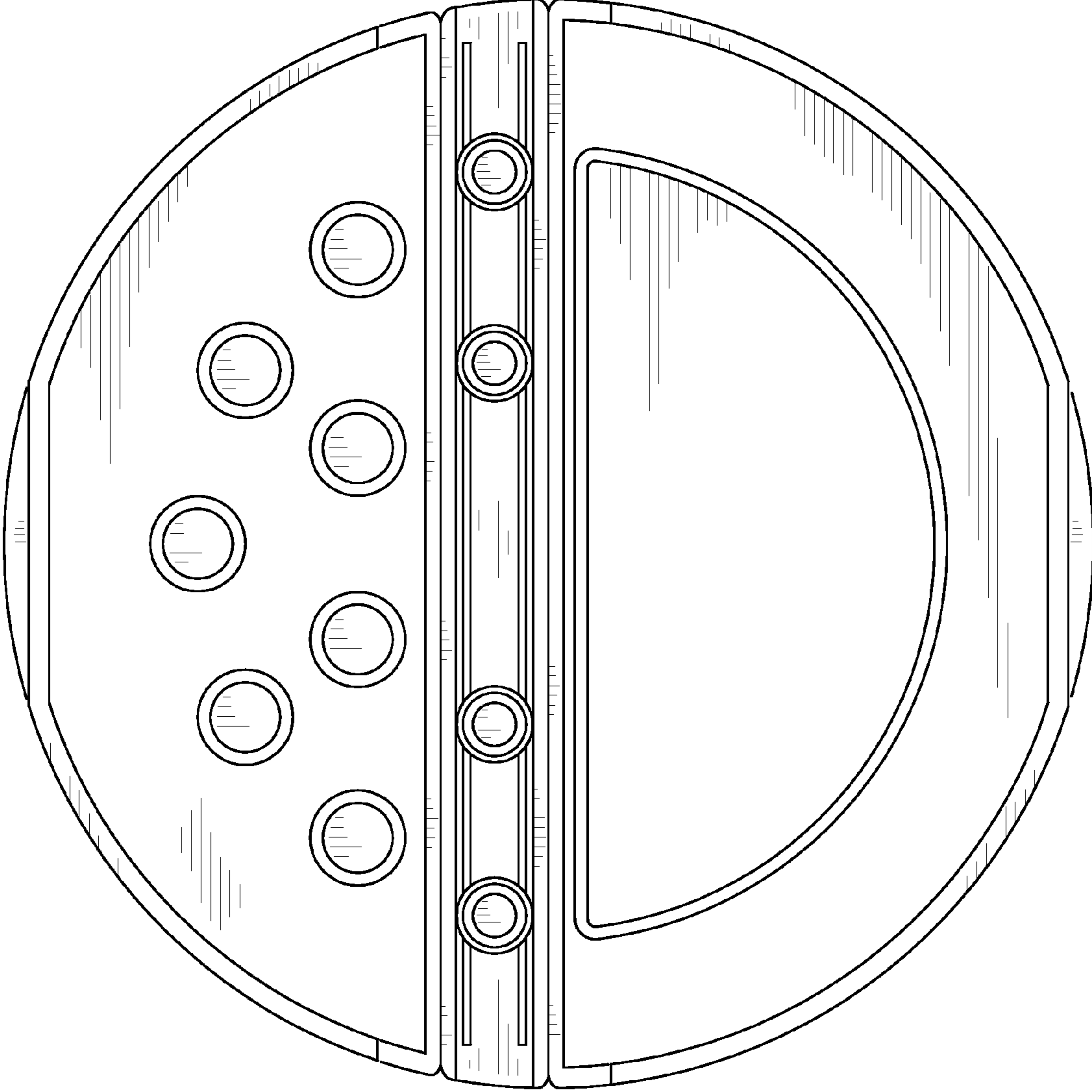


FIGURE 6

FIGURE 7

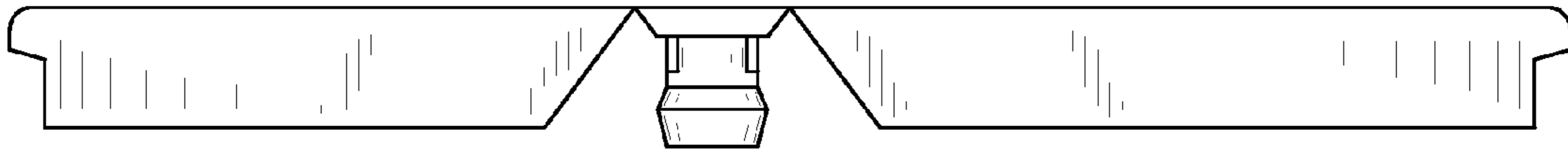


FIGURE 8

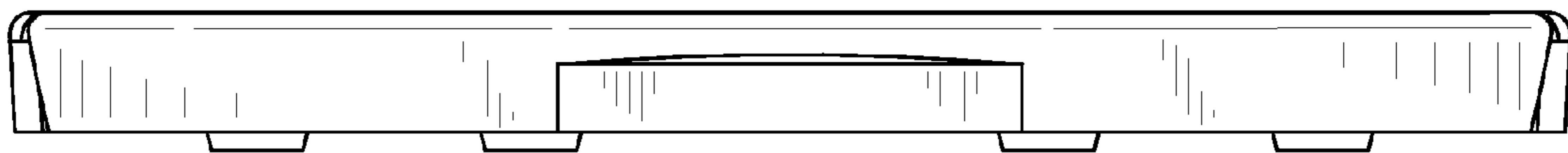


FIGURE 9

